



US00D702771S

(12) **United States Design Patent**  
**Mar**

(10) **Patent No.:** **US D702,771 S**  
(45) **Date of Patent:** **\*\* Apr. 15, 2014**

(54) **PIXEL CONTROLLER**

(71) Applicant: **Steven Mar**, South El Monte, CA (US)

(72) Inventor: **Steven Mar**, South El Monte, CA (US)

(73) Assignee: **Hyperkin Inc.**, South El Monte, CA (US)

(\*\*) Term: **14 Years**

(21) Appl. No.: **29/448,909**

(22) Filed: **Mar. 14, 2013**

(51) **LOC (10) Cl.** ..... **21-01**

(52) **U.S. Cl.**  
USPC ..... **D21/333**; D14/496; D14/401

(58) **Field of Classification Search**  
USPC ..... D14/399-401, 412-416, 217, 496;  
D21/324, 333, 328; 273/148 B; 463/1,  
463/29-39, 46, 47; 345/156-161, 905, 30  
See application file for complete search history.

(56) **References Cited**

U.S. PATENT DOCUMENTS

5,285,317	A *	2/1994	Uzawa	.....	359/676
D425,942	S *	5/2000	Tomizawa	.....	D21/329
6,942,478	B2 *	9/2005	Lee et al.	.....	425/117
D510,392	S *	10/2005	Hussaini et al.	.....	D21/333
D529,493	S *	10/2006	Ogasawara	.....	D14/356

7,193,165	B2 *	3/2007	Kawanobe et al.	.....	200/5 R
7,499,284	B2 *	3/2009	Kawanobe et al.	.....	361/752
D613,341	S	4/2010	Mar et al.		
D628,981	S *	12/2010	Mazur	.....	D14/217
7,847,830	B2 *	12/2010	Rogers et al.	.....	348/222.1
7,898,505	B2 *	3/2011	Blythe et al.	.....	345/30
D648,324	S *	11/2011	Medas	.....	D14/217
D648,370	S *	11/2011	Yoshida	.....	D16/237
D656,554	S	3/2012	Mar		
D660,789	S	5/2012	Mar		
D697,140	S *	1/2014	Baum	.....	D21/333

\* cited by examiner

*Primary Examiner* — Prabhakar Deshmukh

(74) *Attorney, Agent, or Firm* — Edward C. Schewe

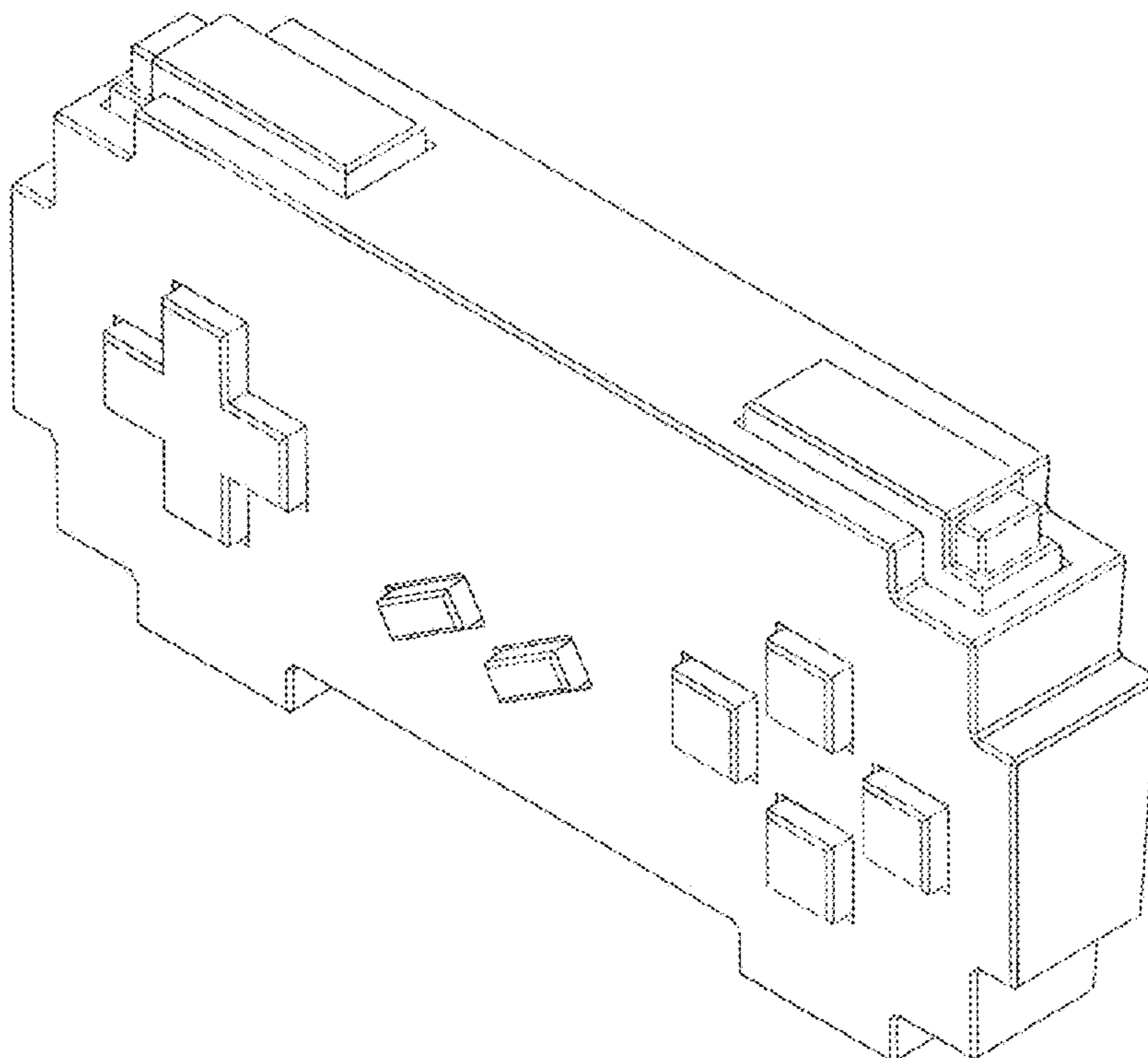
(57) **CLAIM**

The ornamental design for a pixel controller, as shown and described.

**DESCRIPTION**

FIG. 1 is a front perspective view of a pixel controller showing my new design.  
FIG. 2 is a bottom perspective view thereof.  
FIG. 3 is a front elevation view thereof.  
FIG. 4 is a top view thereof.  
FIG. 5 is a rear elevation view thereof.  
FIG. 6 is a bottom view thereof.  
FIG. 7 is a left side elevation view thereof; and,  
FIG. 8 is a right side elevation view thereof.

**1 Claim, 5 Drawing Sheets**



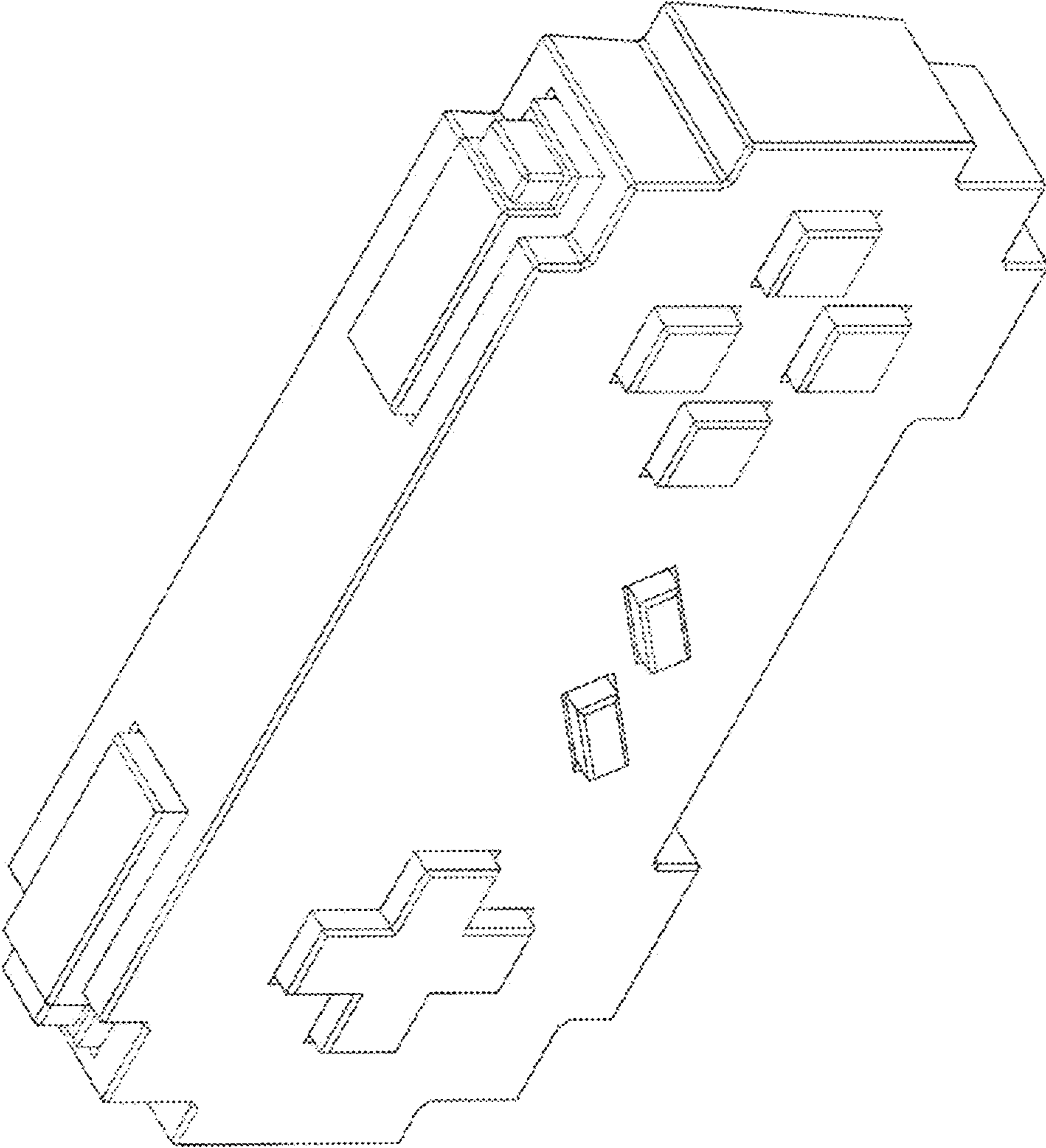


Figure 1

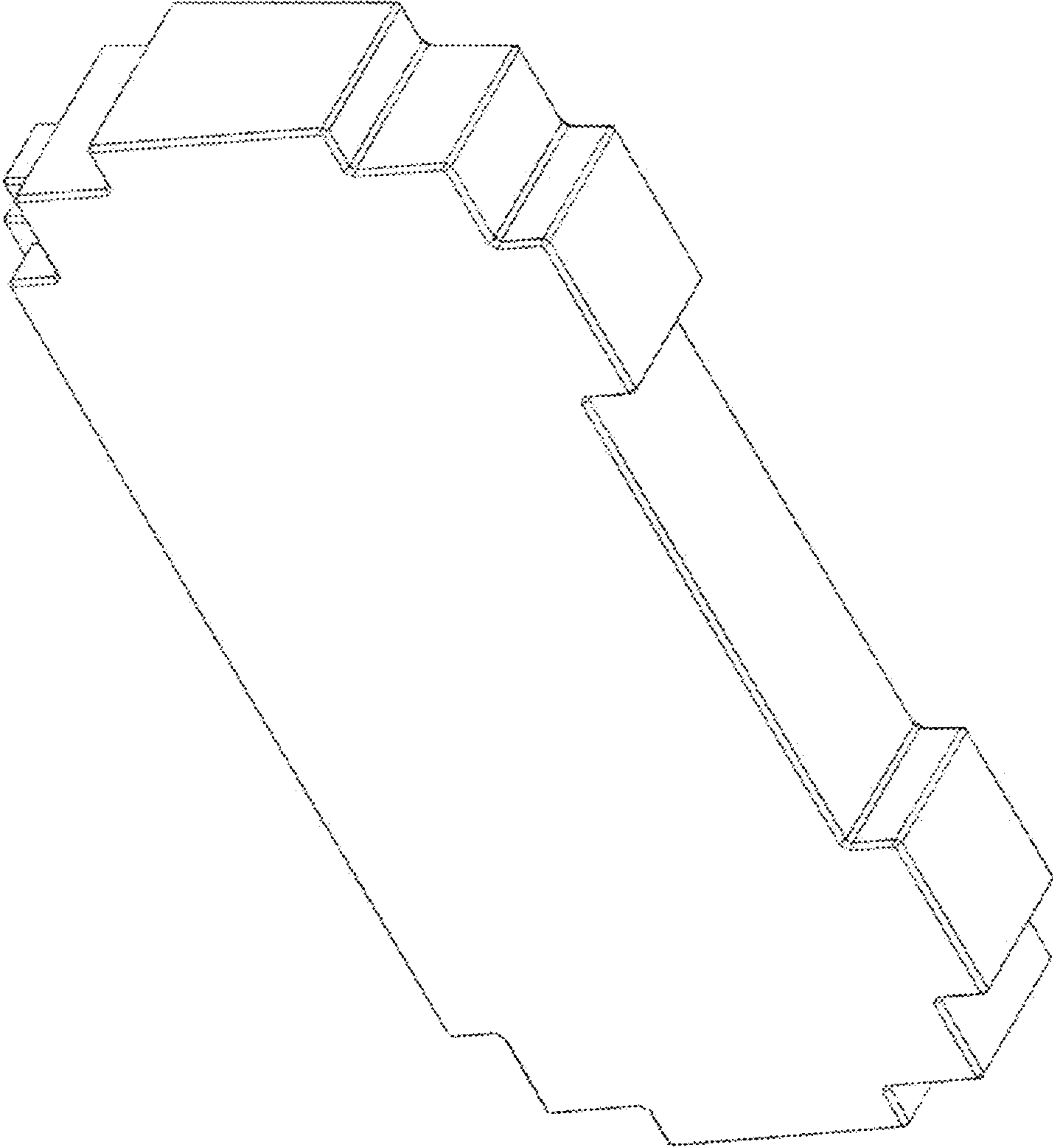


Figure 2

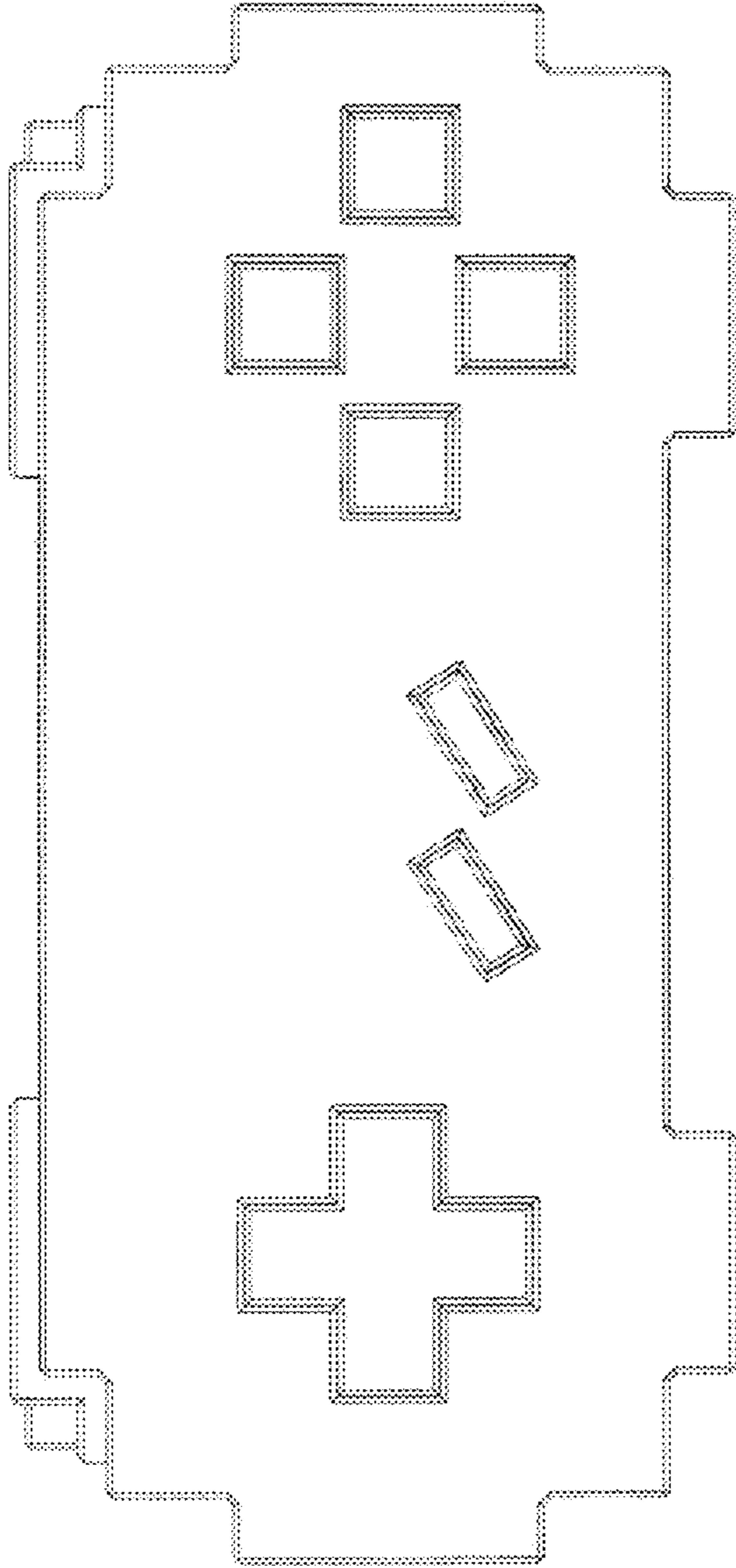


Figure 3

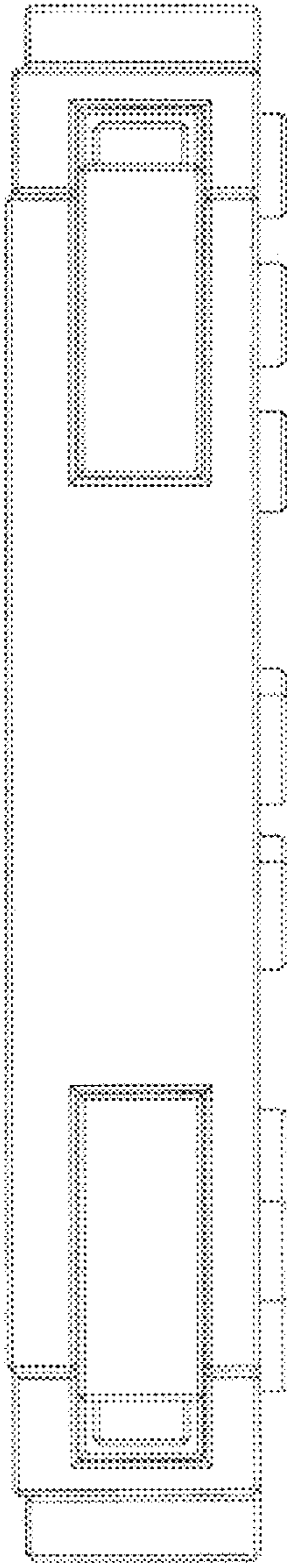


Figure 4

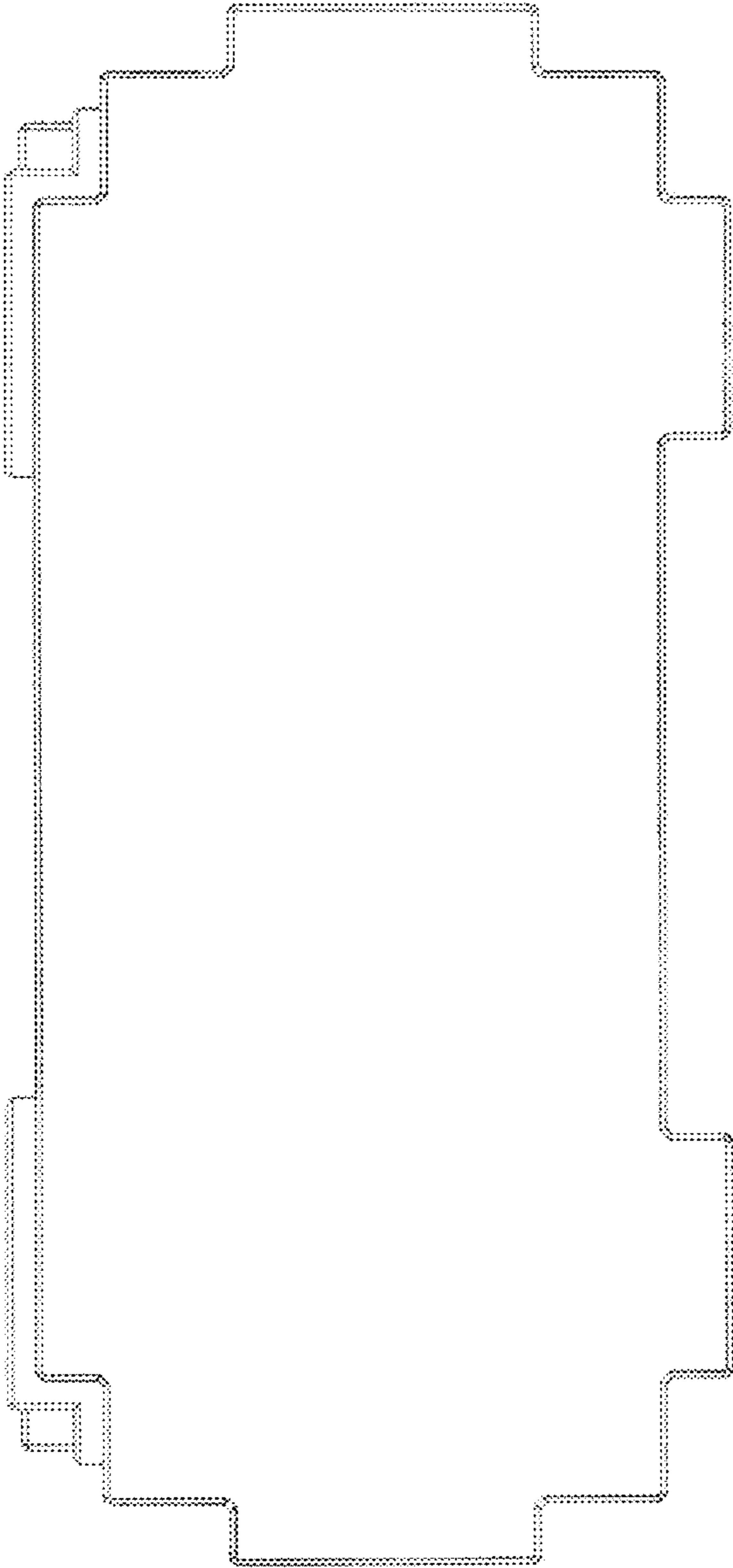


Figure 5

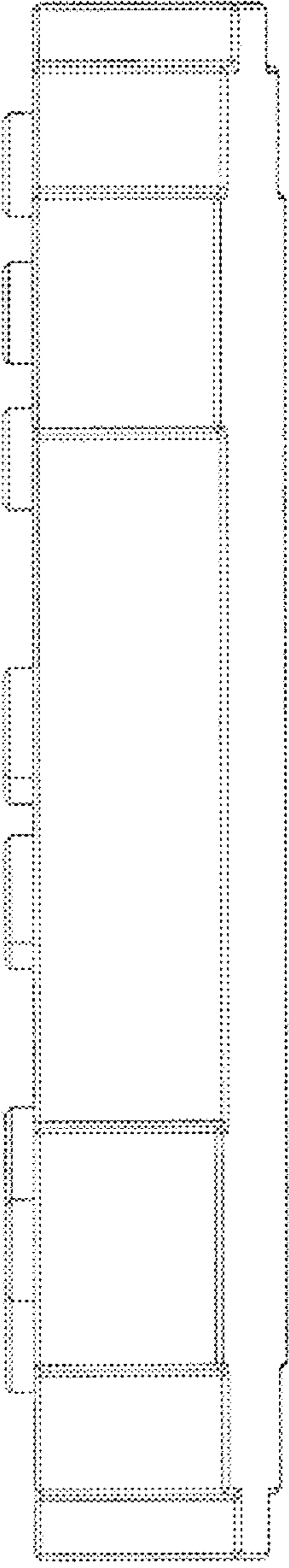


Figure 6



Figure 8

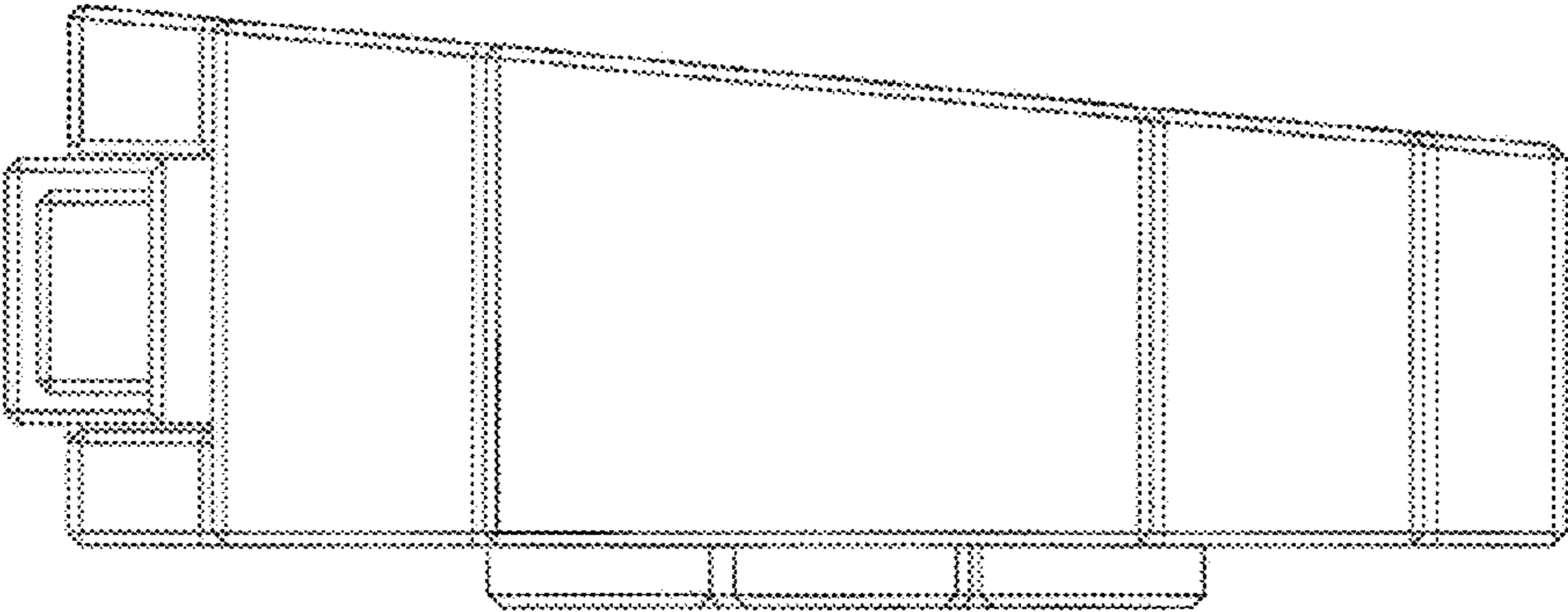


Figure 7

