



US00D702770S

(12) **United States Design Patent**
Burris

(10) **Patent No.:** **US D702,770 S**

(45) **Date of Patent:** **** Apr. 15, 2014**

(54) **GAMING TABLET HAVING CONCEALED CONTROLS**

- (71) Applicant: **Joseph Burris**, Los Angeles, CA (US)
- (72) Inventor: **Joseph Burris**, Los Angeles, CA (US)
- (73) Assignee: **Shanghal Ltd.**, Los Angeles, CA (US)
- (**) Term: **14 Years**
- (21) Appl. No.: **29/445,495**

- (22) Filed: **Feb. 12, 2013**
- (51) **LOC (10) Cl.** **21-01**
- (52) **U.S. Cl.**
USPC **D21/329; D21/330**
- (58) **Field of Classification Search**
USPC D21/324–333, 369, 385; 273/148 B,
273/148 R, 461; D14/495, 338, 339, 348,
D14/356, 432, 433, 471, 474, 137, 160, 168,
D14/188–181, 219, 265, 257; 345/156–161,
345/1.1; 455/344–351; 369/6–12; 463/1,
463/29–35, 46, 47; 16/321, 337; 248/176.1,
248/915, 921; 285/188, 231–234, 304, 330
See application file for complete search history.

(56) **References Cited**
U.S. PATENT DOCUMENTS

5,161,803	A *	11/1992	Ohara	463/44
5,375,831	A *	12/1994	Hsien-Chung	273/148 B
6,042,478	A *	3/2000	Ng	463/44
D453,536	S *	2/2002	Ota et al.	D21/329
D546,895	S *	7/2007	Chan	D21/330
D620,056	S *	7/2010	Yano	D21/329

D656,554	S *	3/2012	Mar	D21/329
D664,601	S *	7/2012	Sogabe	D21/329

* cited by examiner

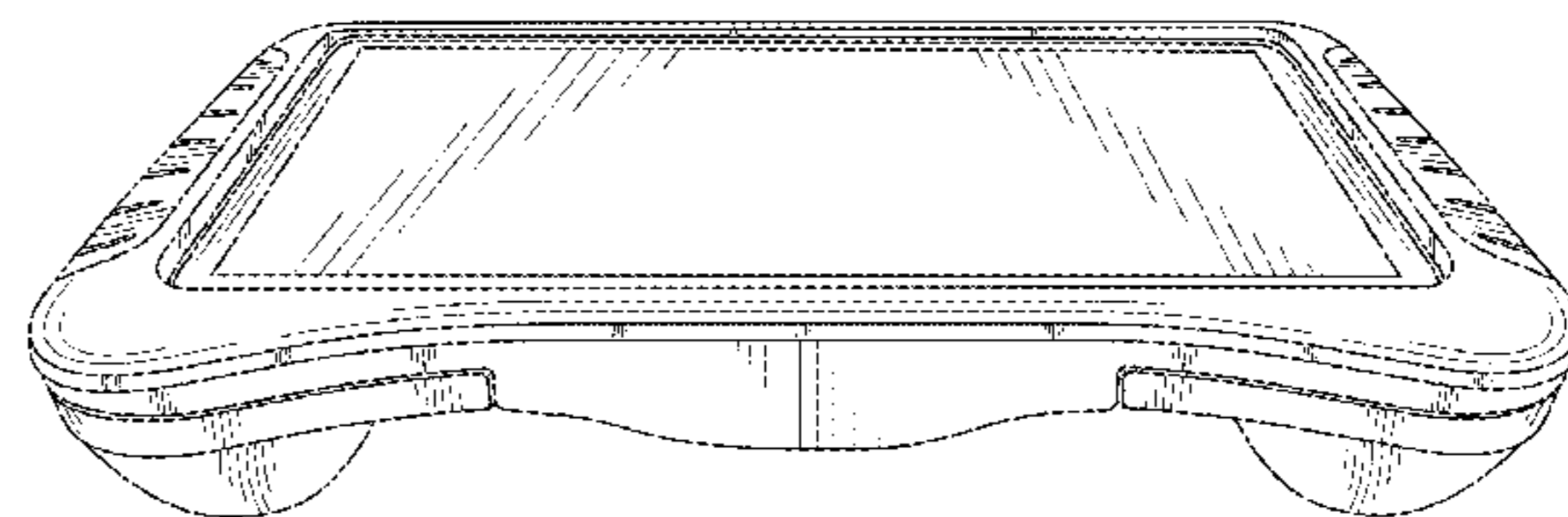
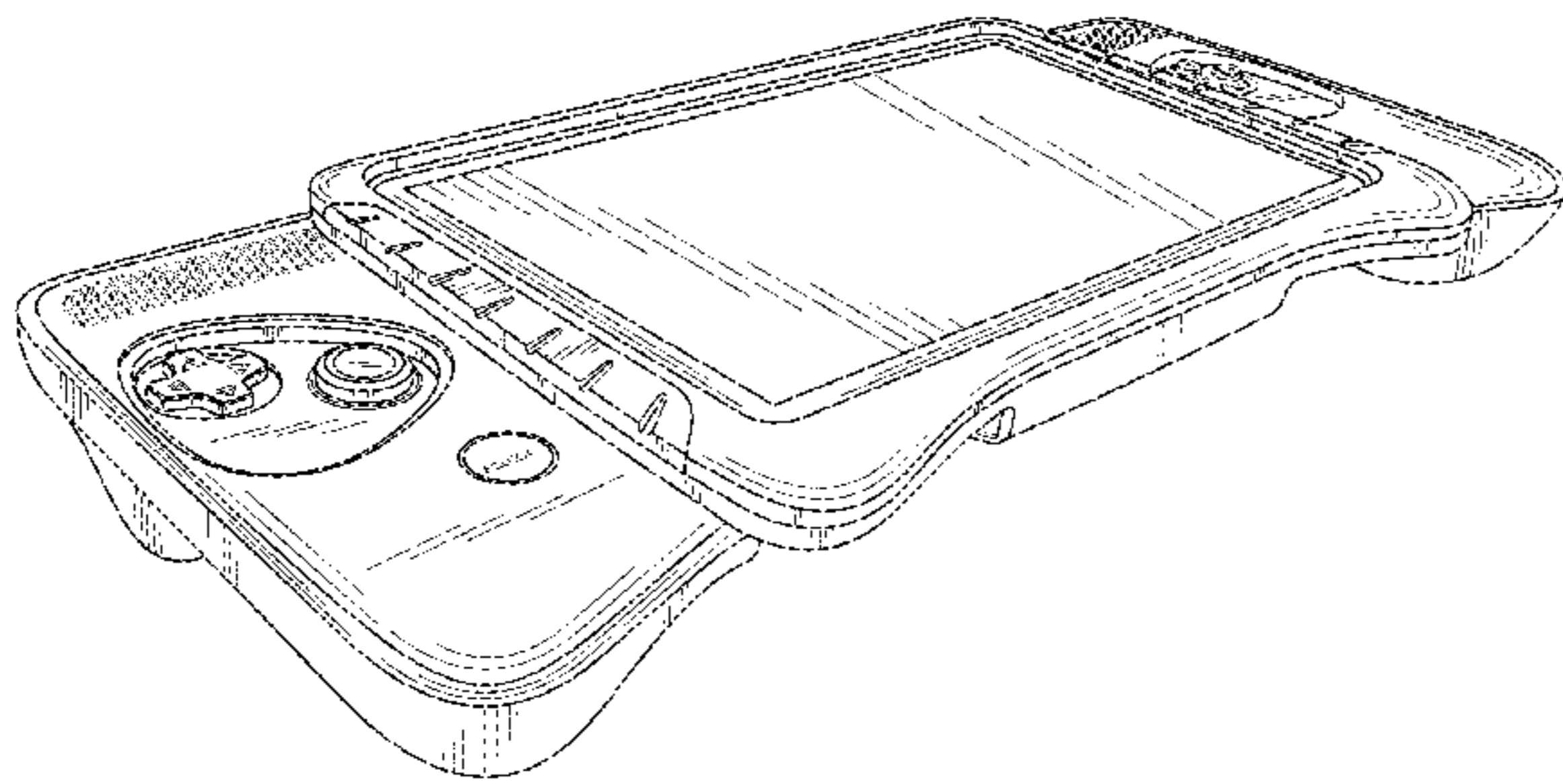
Primary Examiner — Prabhakar Deshmukh
(74) *Attorney, Agent, or Firm* — Thomas I. Rozsa

(57) **CLAIM**
The ornamental design for a gaming tablet having concealed controls, as shown and described.

DESCRIPTION

FIG. 1 is a left side perspective view of the gaming tablet having concealed controls, showing our new design, with the gaming controls in the open condition;
 FIG. 2 is a right side perspective view thereof;
 FIG. 3 is a rear perspective view thereof;
 FIG. 4 is a bottom perspective view thereof;
 FIG. 5 is a top view thereof;
 FIG. 6 is a bottom view thereof;
 FIG. 7 is a rear view thereof;
 FIG. 8 is a front view thereof;
 FIG. 9 is a left side view thereof;
 FIG. 10 is a right side view thereof;
 FIG. 11 is a top perspective view of the gaming tablet having concealed controls, showing my new design, with the gaming controls in the closed condition;
 FIG. 12 is a bottom perspective view thereof;
 FIG. 13 is a top view thereof;
 FIG. 14 is a bottom view thereof;
 FIG. 15 is a rear view thereof;
 FIG. 16 is a front view thereof;
 FIG. 17 is a left side view thereof; and,
 FIG. 18 is a right side view thereof.

1 Claim, 14 Drawing Sheets



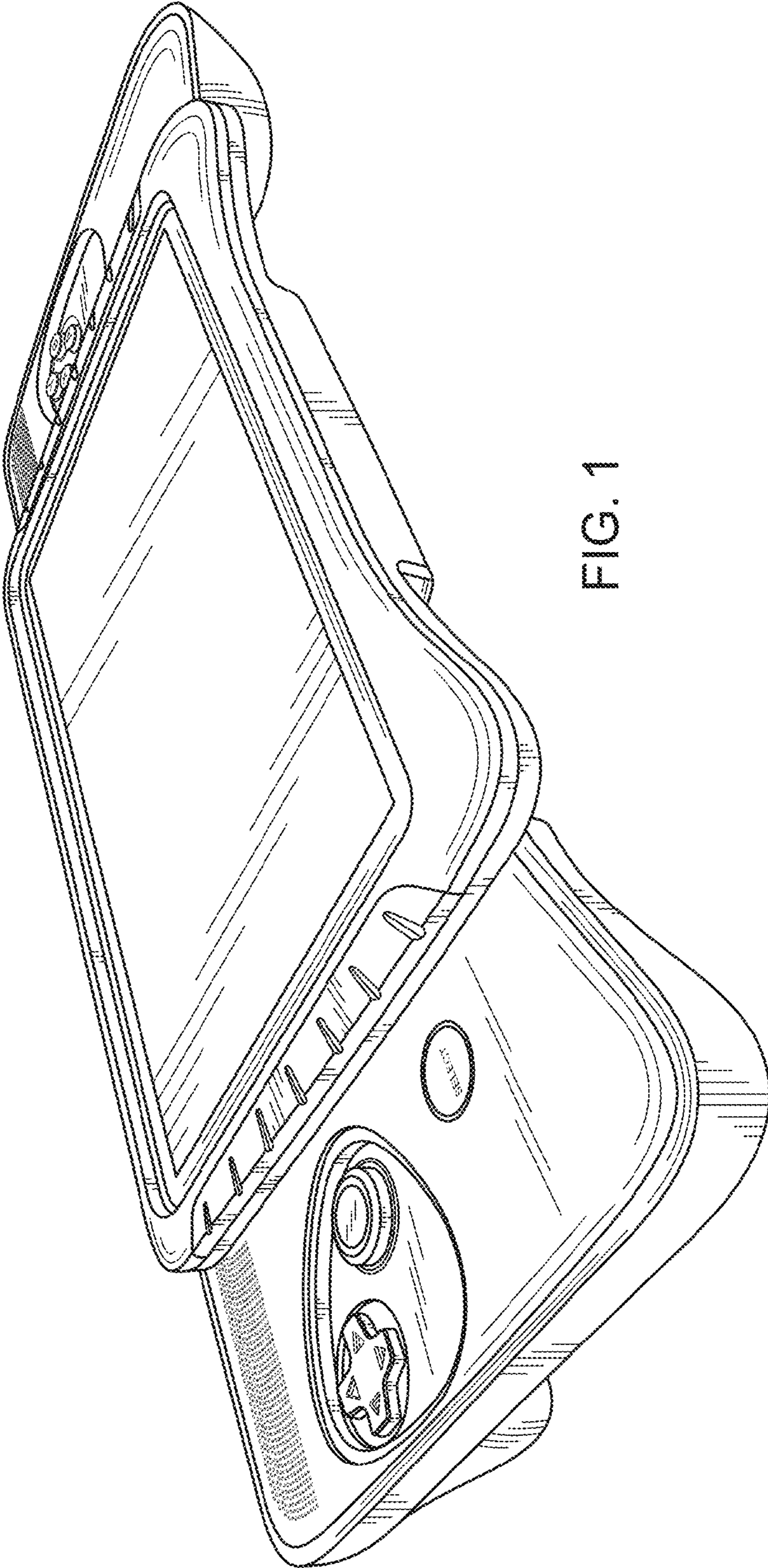


FIG. 1

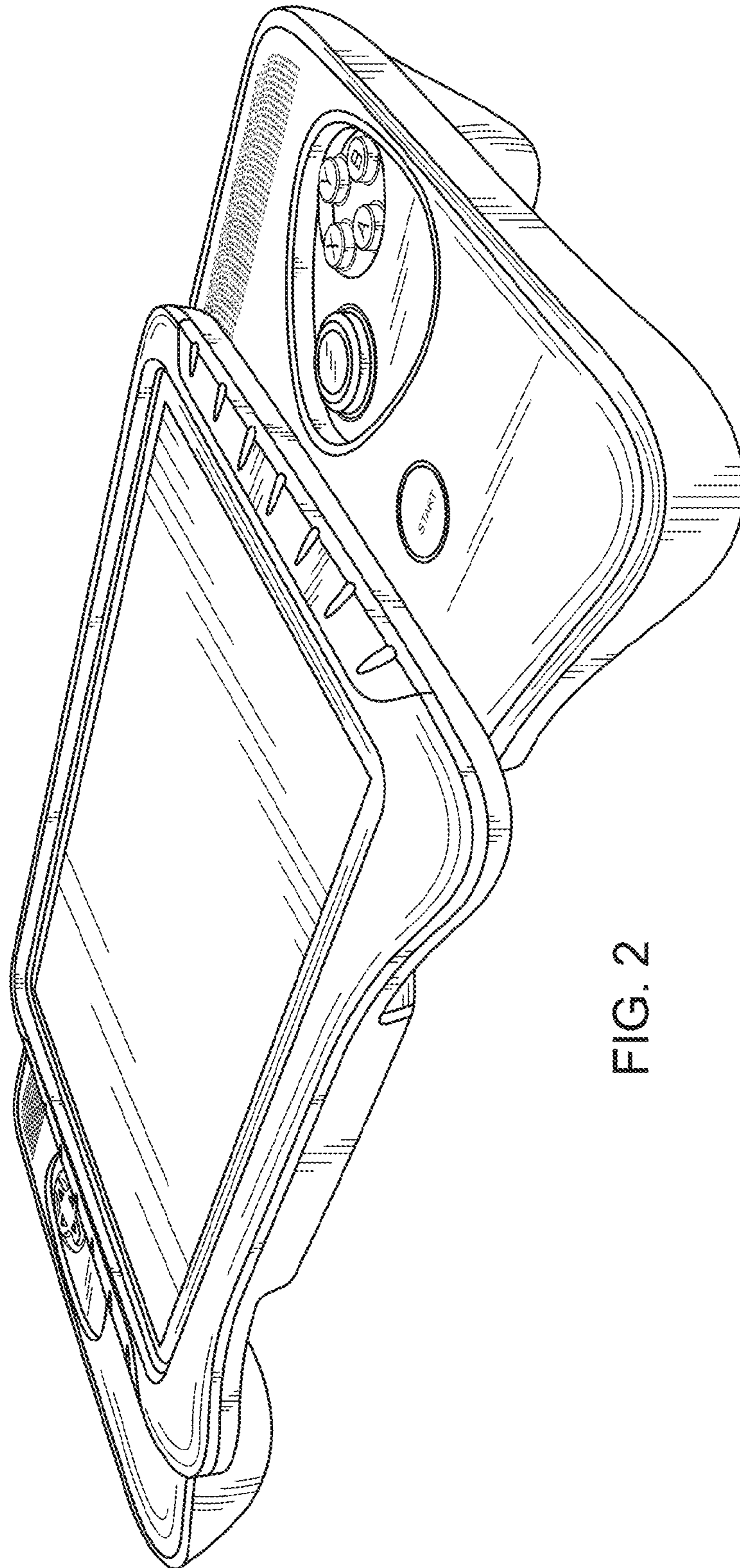


FIG. 2

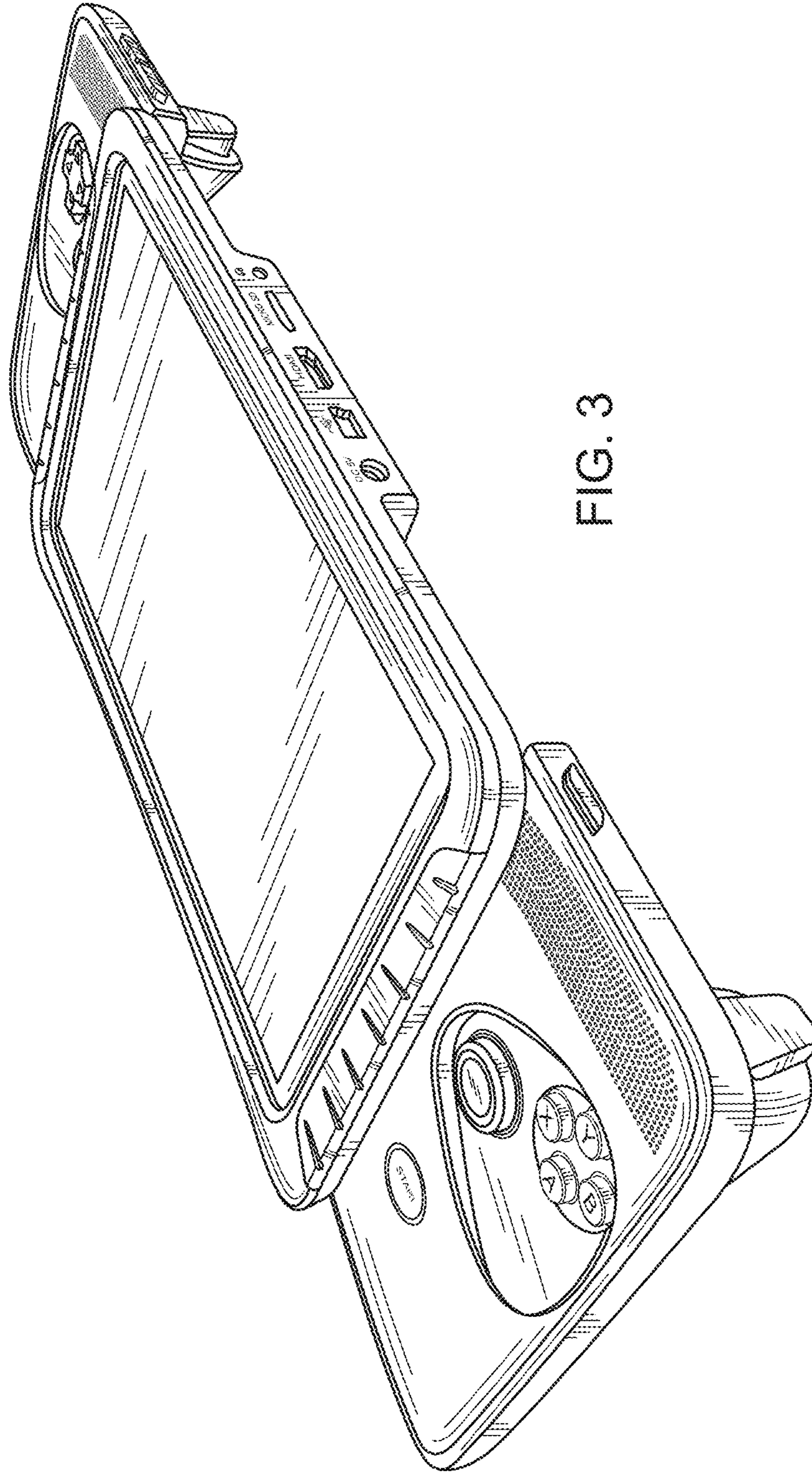


FIG. 3

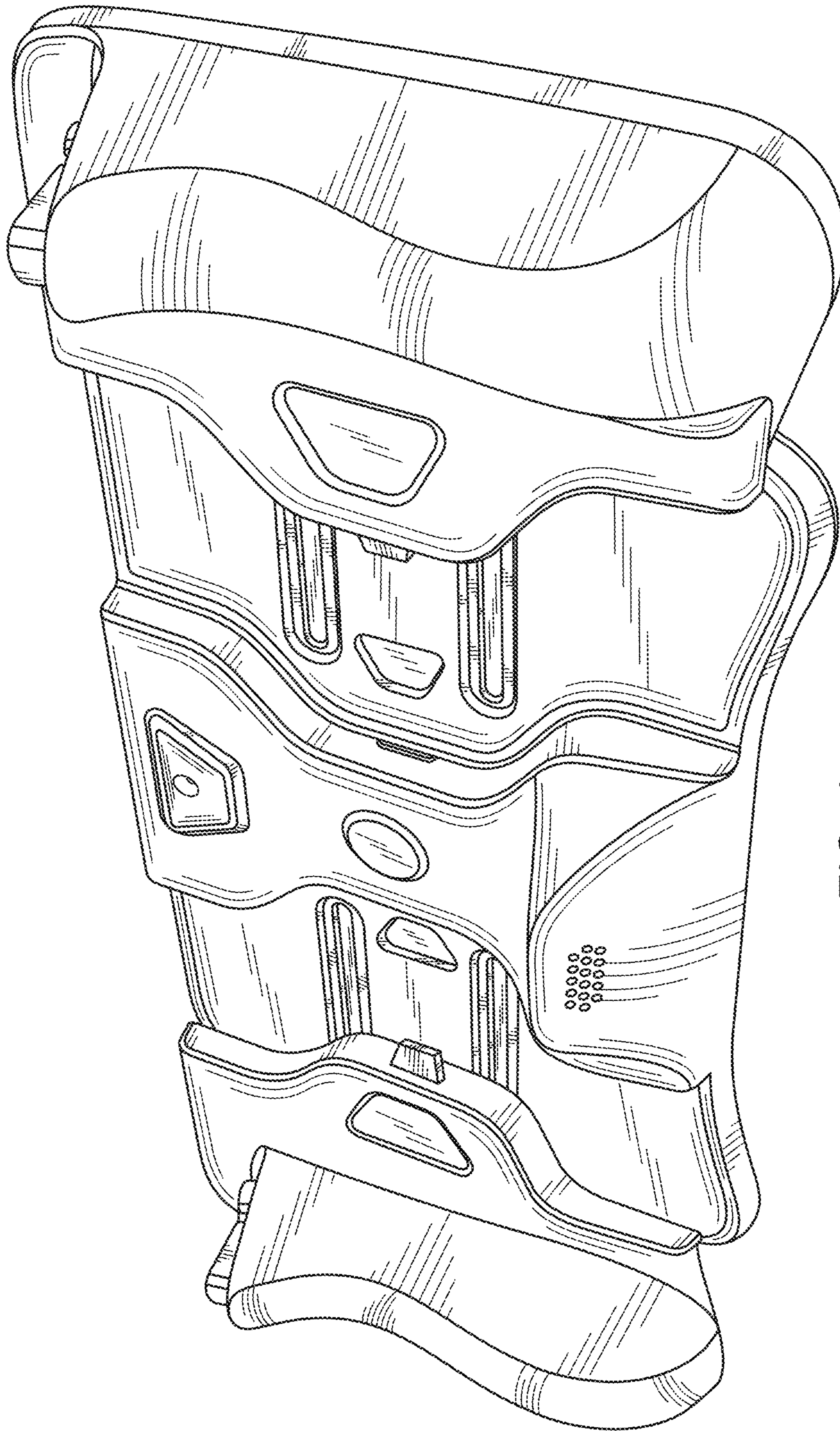


FIG. 4

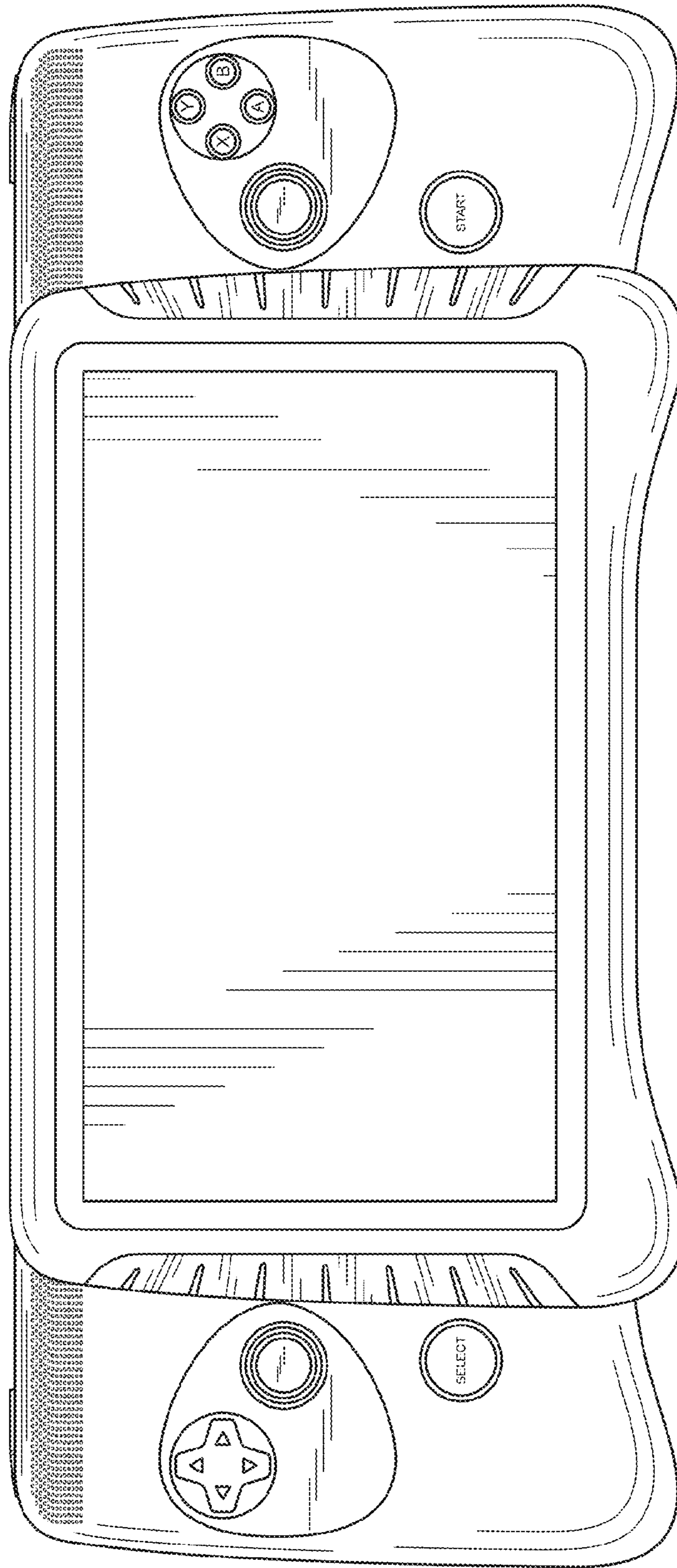


FIG. 5

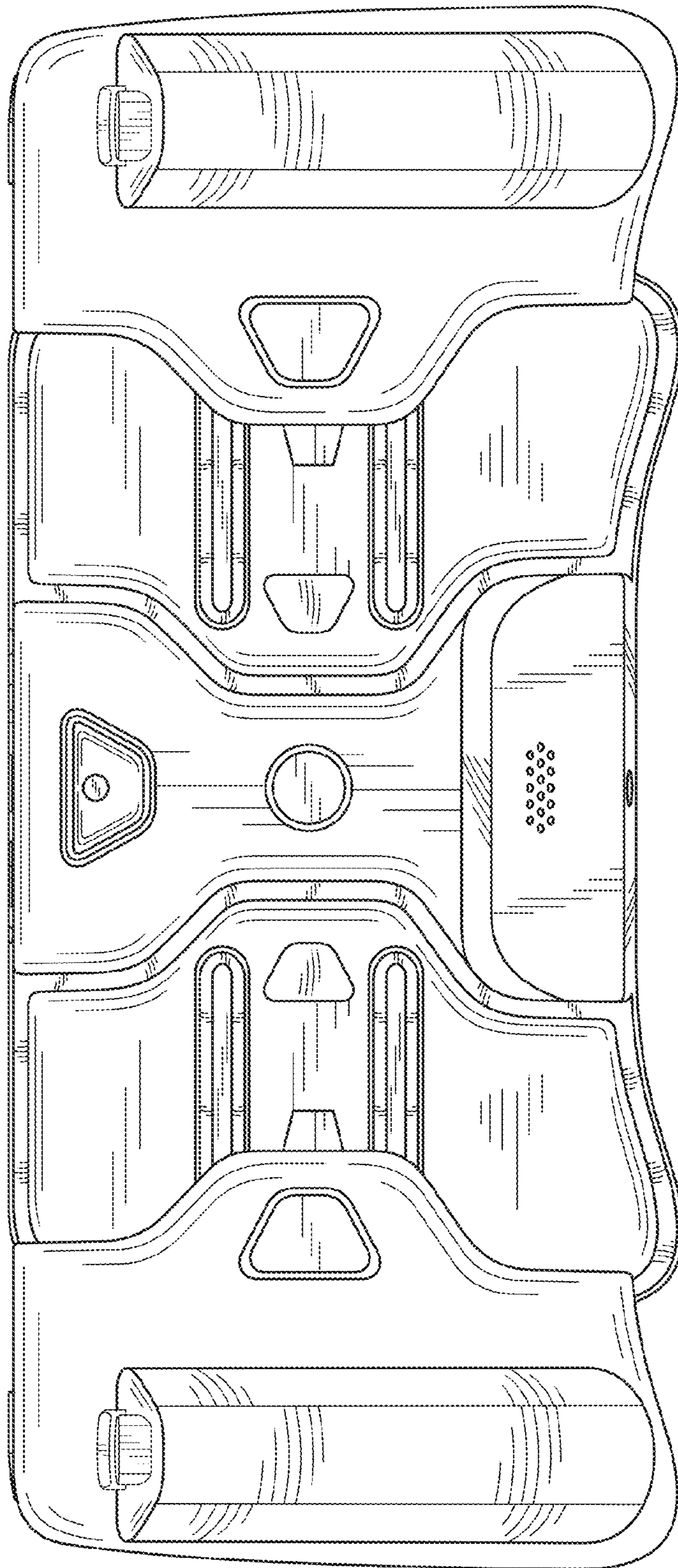


FIG. 6

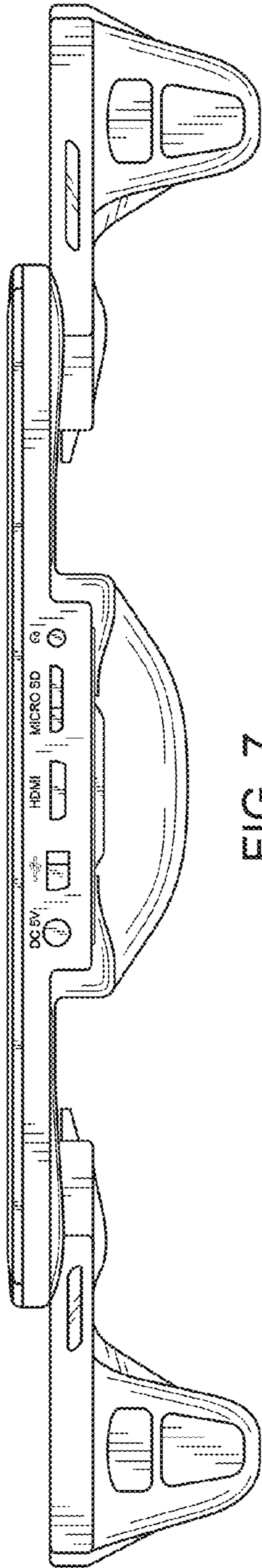


FIG. 7

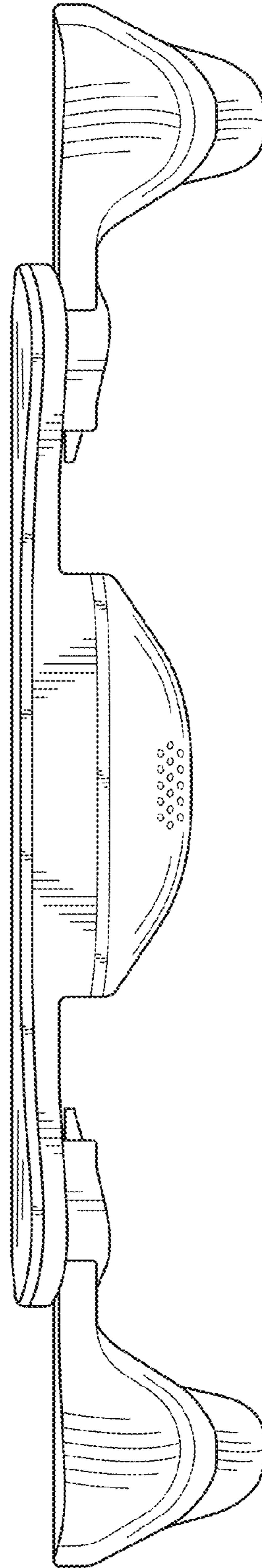


FIG. 8

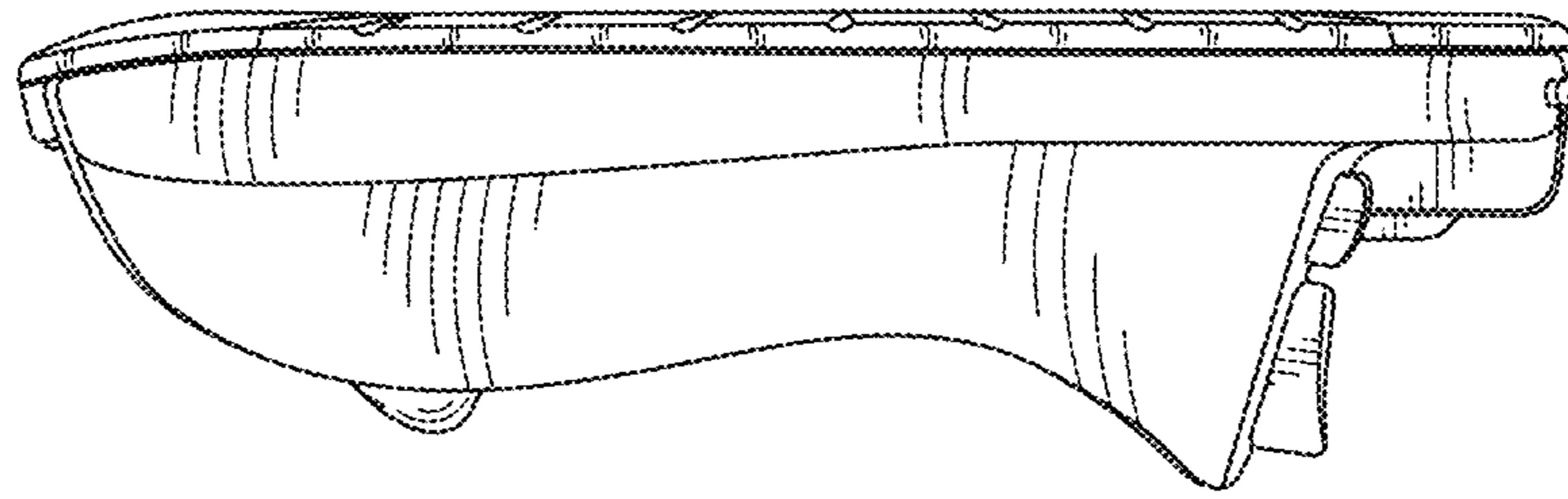


FIG. 9

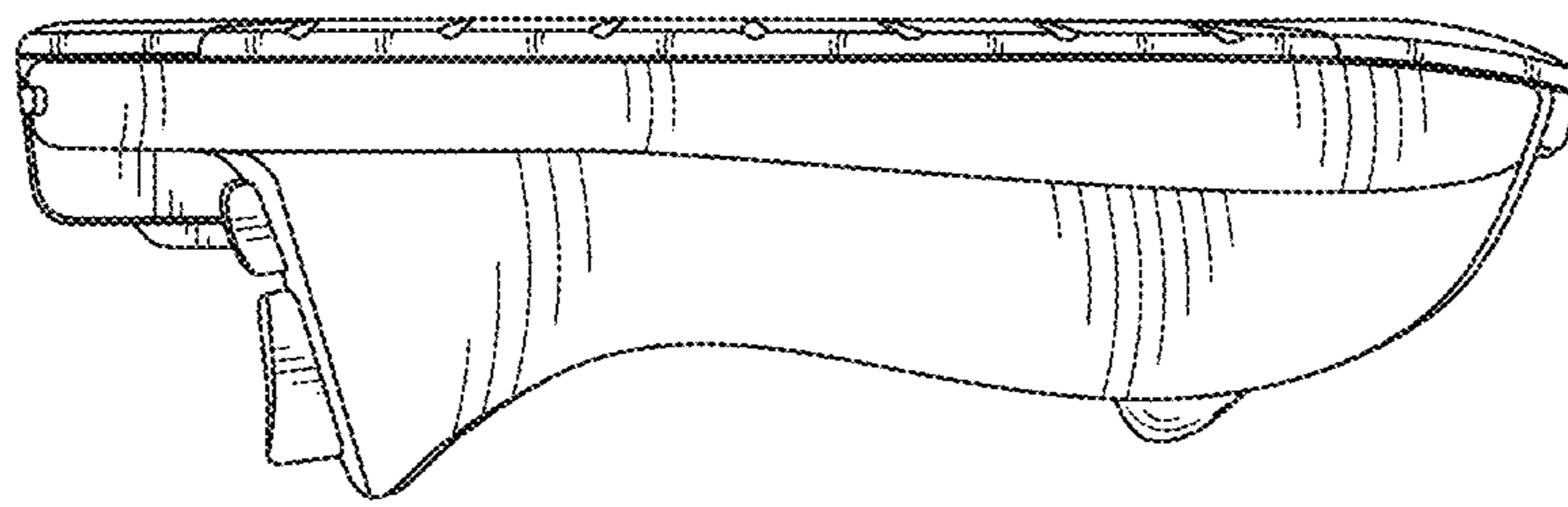


FIG. 10

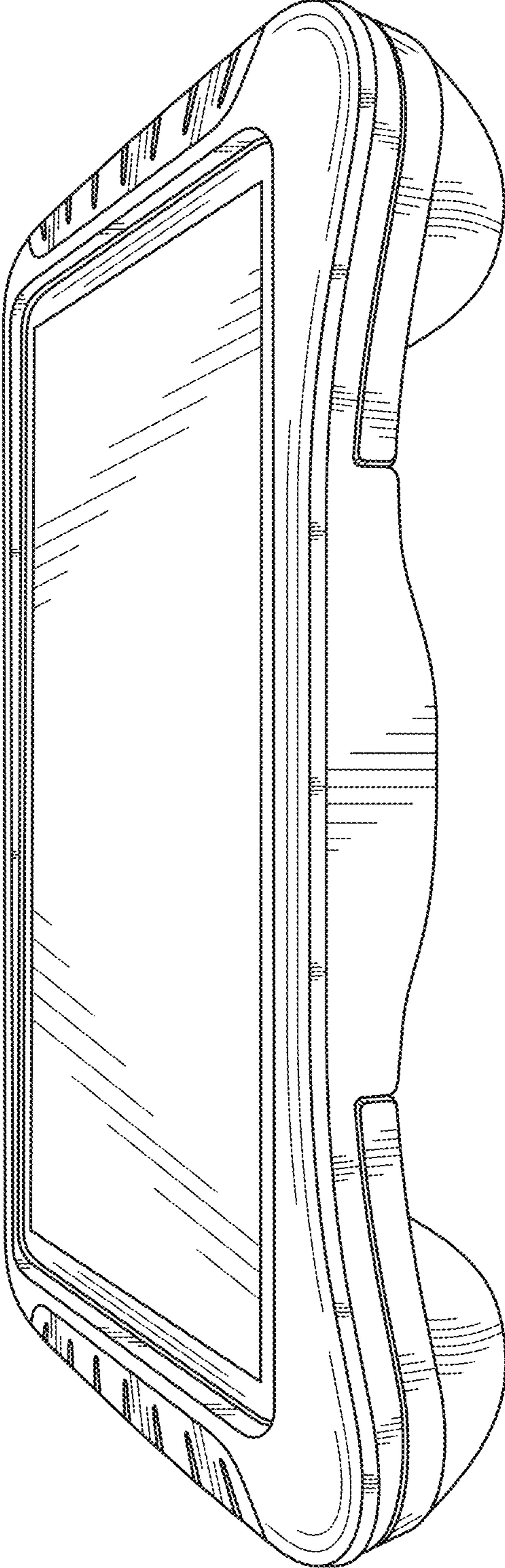


FIG. 11

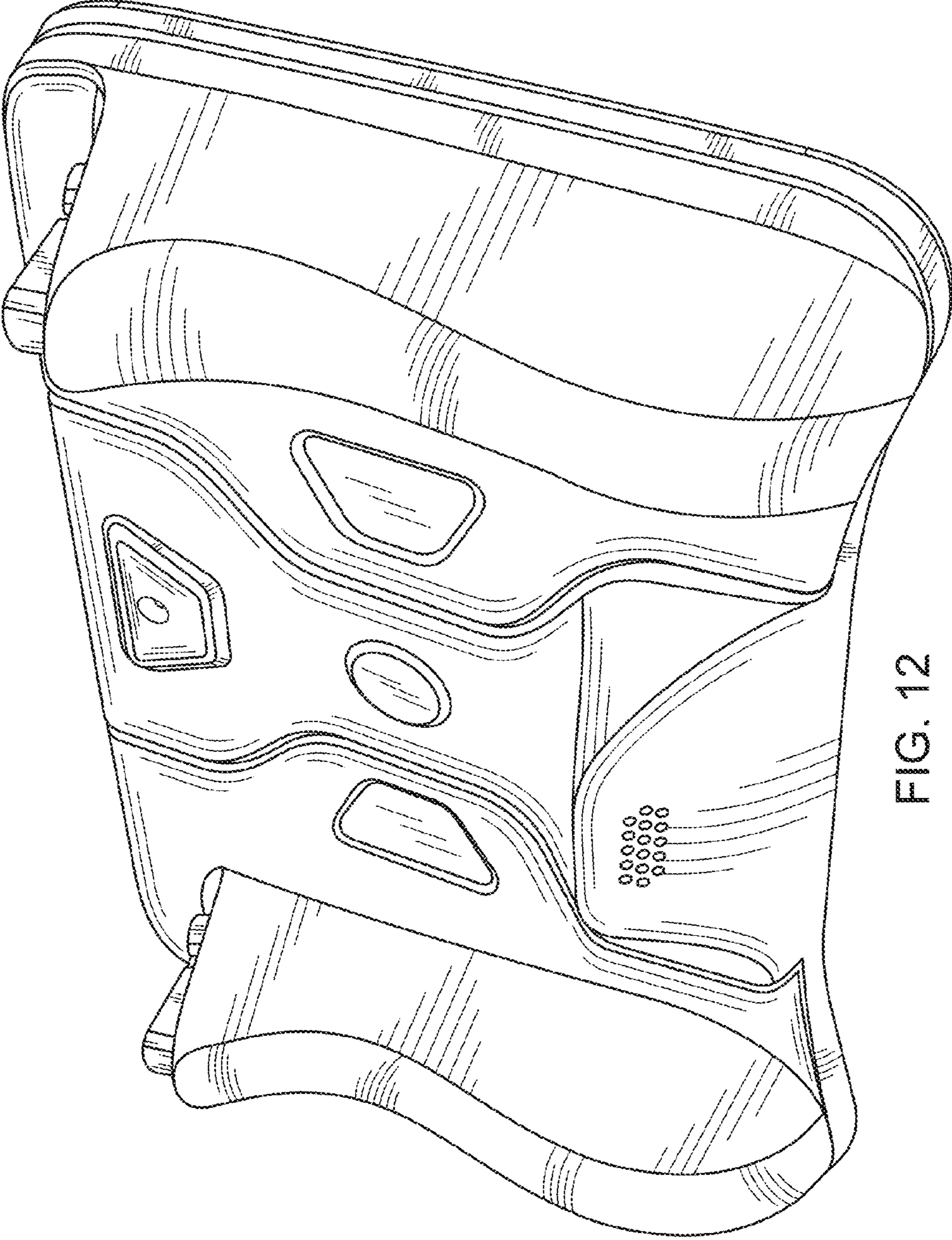


FIG. 12

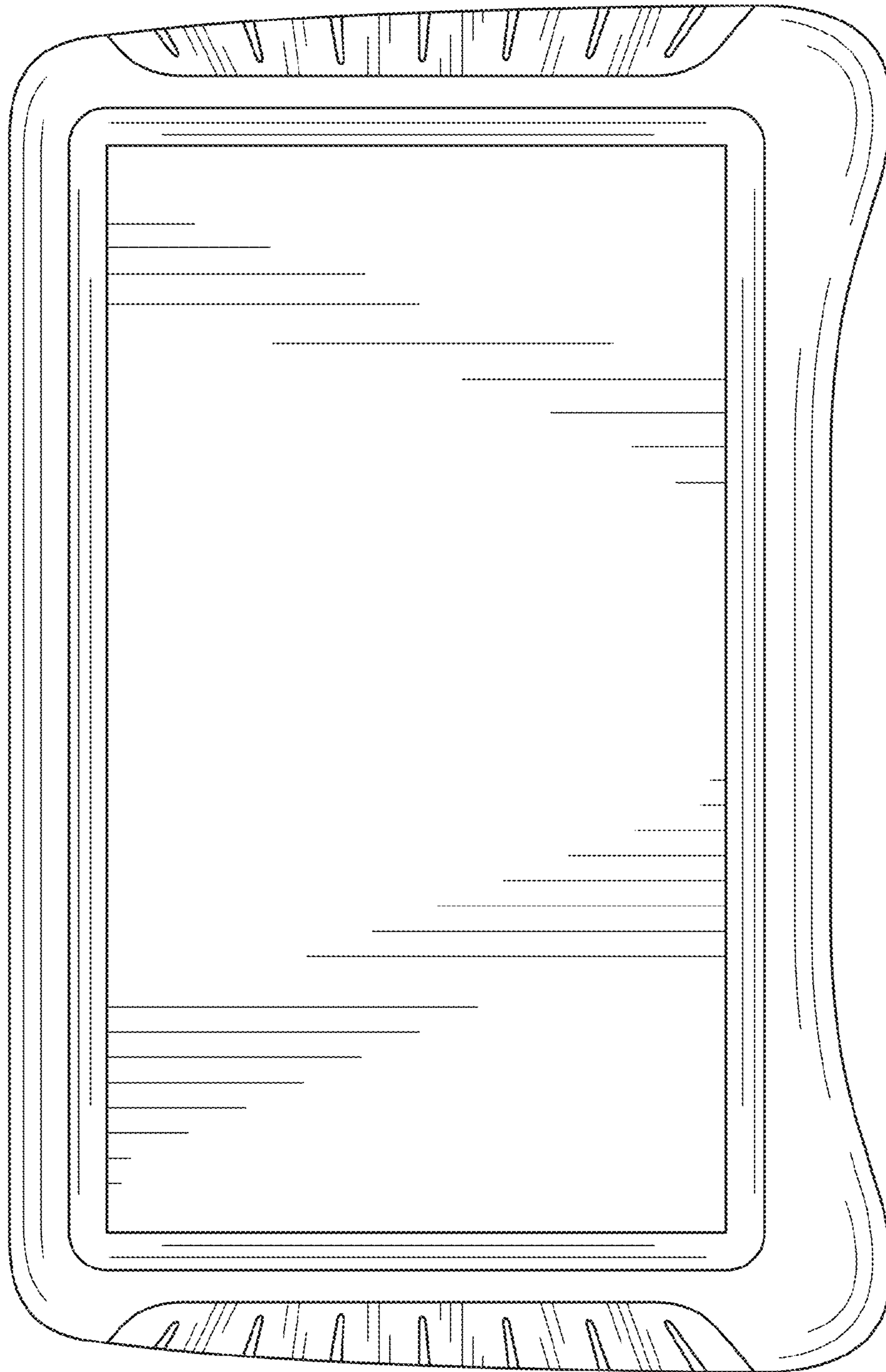


FIG. 13

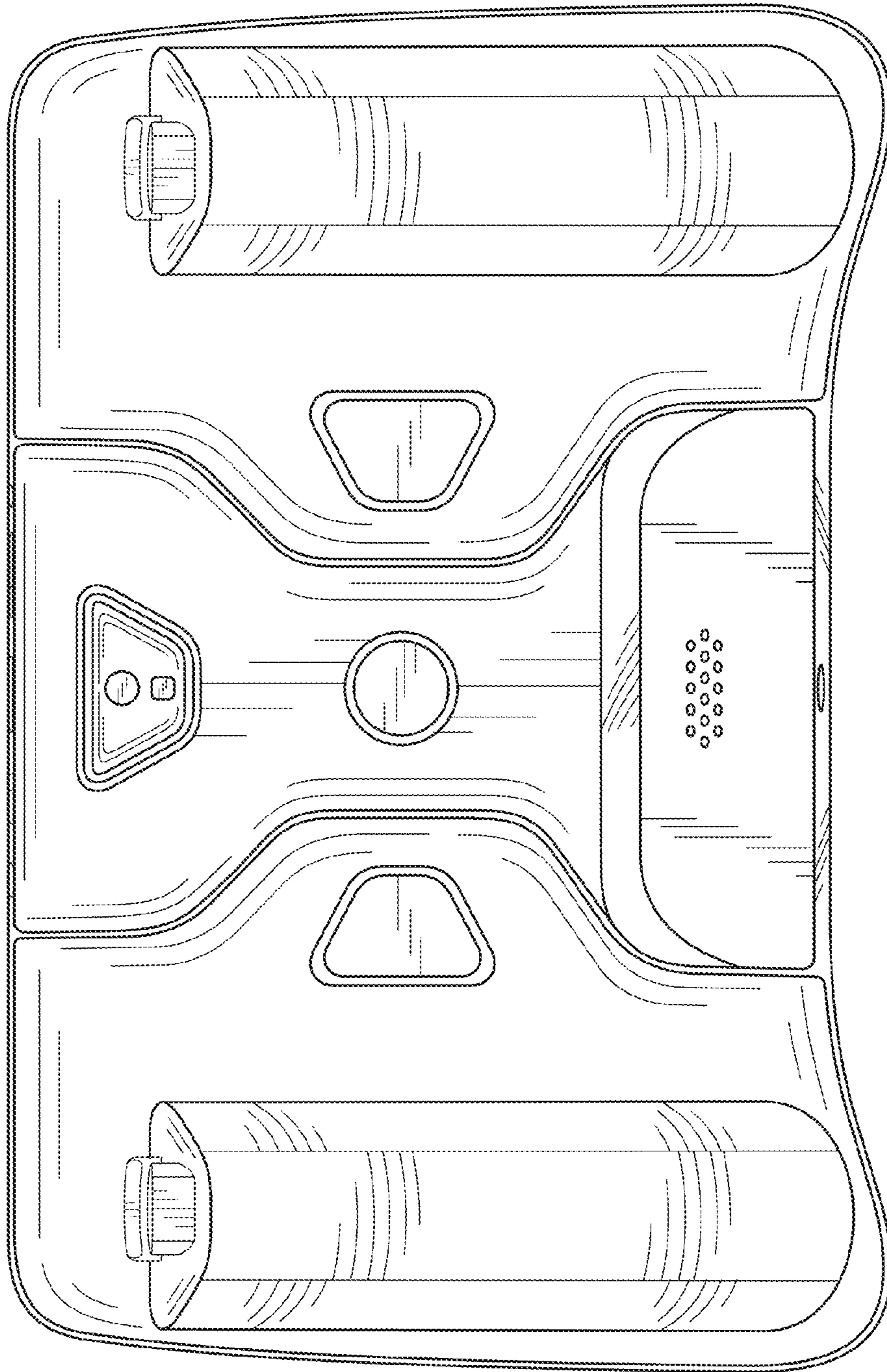


FIG. 14

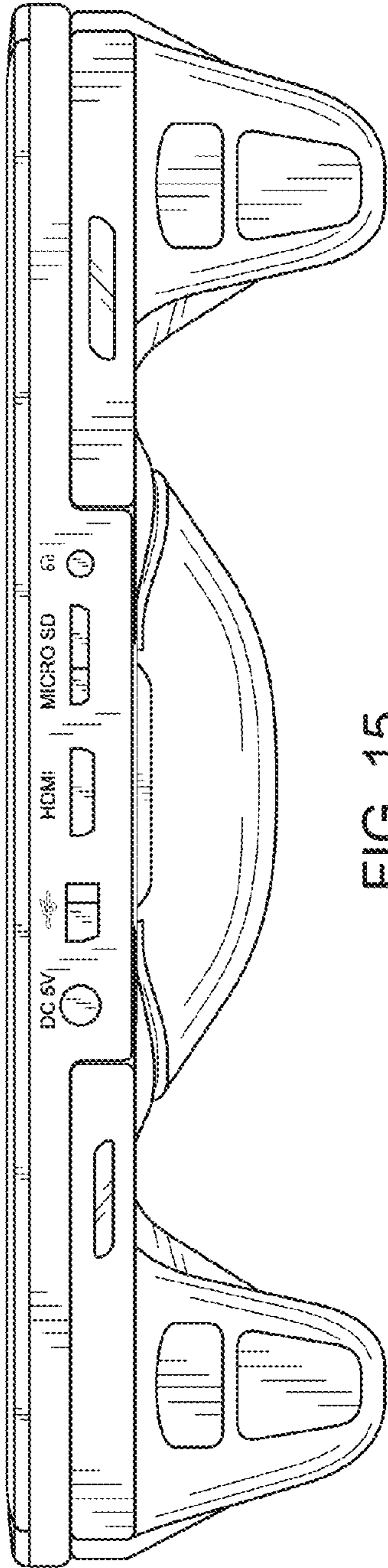


FIG. 15

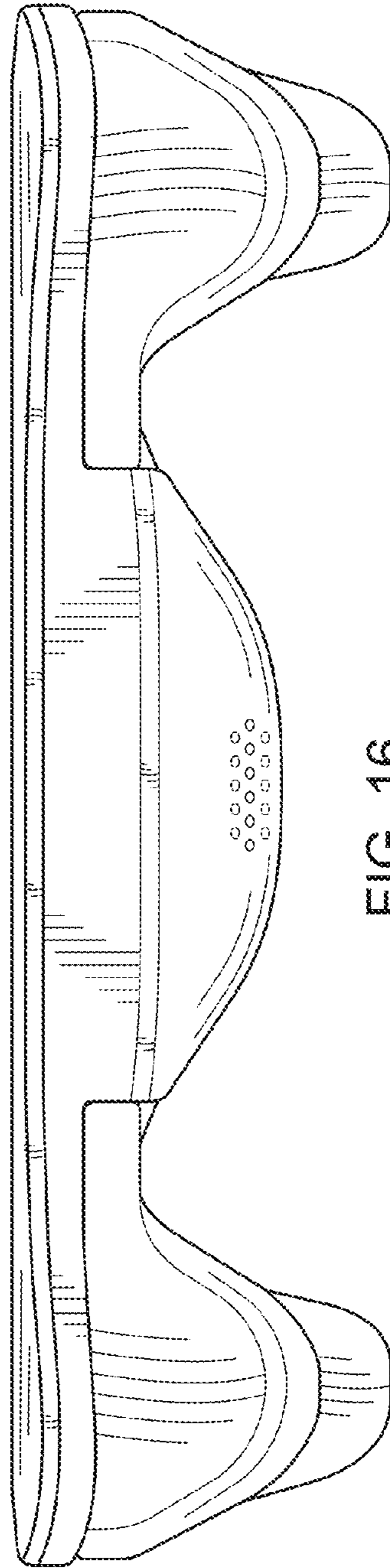


FIG. 16

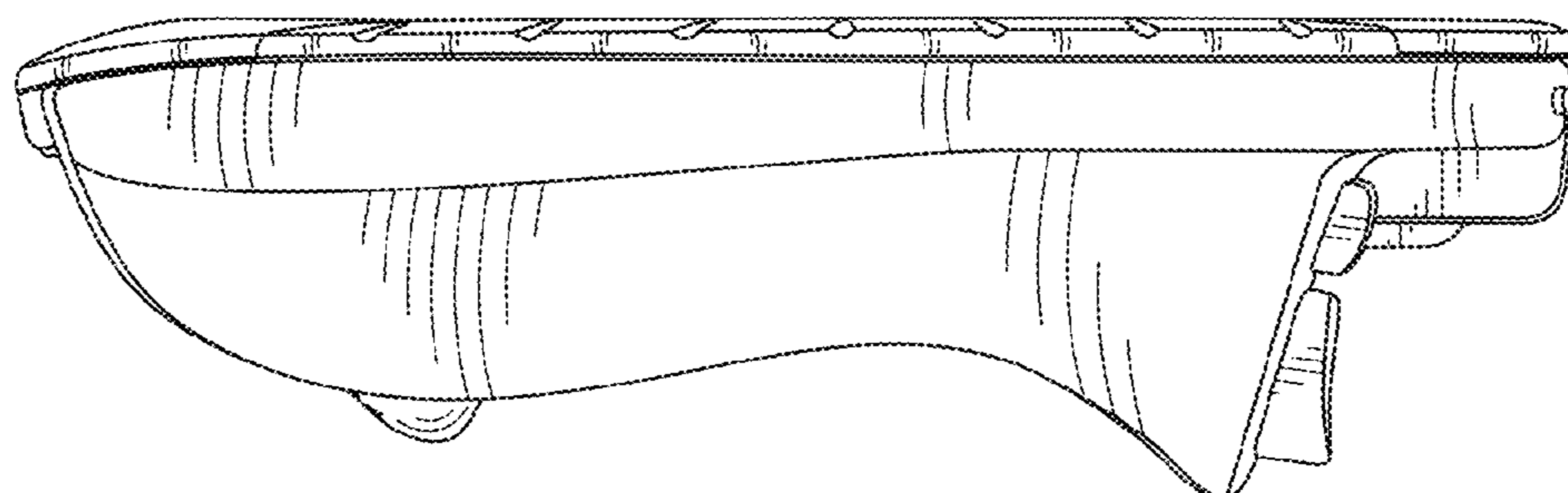


FIG. 17

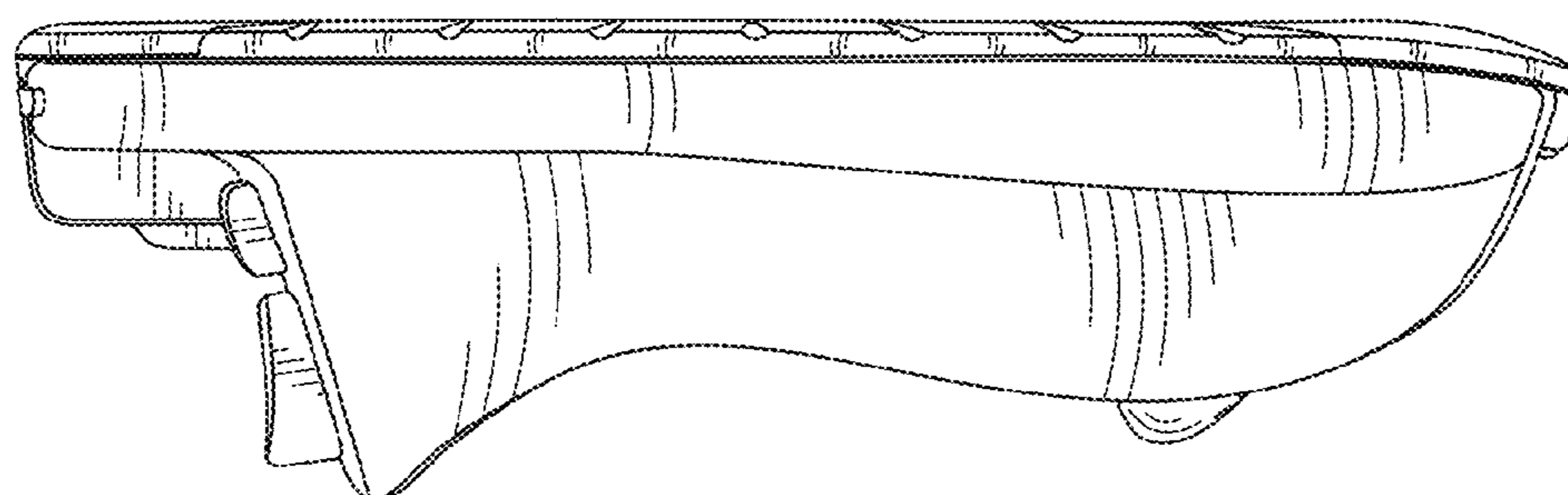


FIG. 18