



US00D702769S

(12) **United States Design Patent**
Cyphers et al.

(10) **Patent No.:** **US D702,769 S**

(45) **Date of Patent:** **** *Apr. 15, 2014**

(54) **REAL ESTATE SIGN STAKE**

(76) Inventors: **Thomas Cyphers**, Atlanta, GA (US);
Reinhardt Cyphers, Atlanta, GA (US)

(*) Notice: This patent is subject to a terminal disclaimer.

(**) Term: **14 Years**

(21) Appl. No.: **29/426,273**

(22) Filed: **Jul. 3, 2012**

(51) **LOC (10) Cl.** **20-02**

(52) **U.S. Cl.**
USPC **D20/41**

(58) **Field of Classification Search**

USPC D20/10, 12, 15, 17, 19, 21, 29, 39, 41,
D20/42, 99; 40/368, 373, 446, 452, 489,
40/490, 491, 534, 537, 538, 541, 564, 568,
40/575, 576, 584, 585, 591, 606.01,
40/607.01, 607.03-607.09, 607.11, 608,
40/612, 653; D10/109.1, 109.2, 113.2,
D10/113.4; D99/17, 18; 362/812; 116/63 R,
116/63 P; 248/156, 530

See application file for complete search history.

(56) **References Cited**

U.S. PATENT DOCUMENTS

1,220,716 A * 3/1917 Beery 40/607.11
2,022,160 A * 11/1935 Sorensen et al. 40/612

2,581,762 A * 1/1952 Hesse 40/653
5,375,801 A * 12/1994 Porter 248/156
D386,880 S * 11/1997 Vaske D99/18
D457,085 S * 5/2002 Truax D10/109.1
D558,274 S * 12/2007 Geeves D20/41
D634,505 S * 3/2011 Leviner D99/17
D662,003 S * 6/2012 Hirschhorn et al. D10/109.1
2004/0065802 A1 * 4/2004 Clasen 248/530

* cited by examiner

Primary Examiner — Mary Ann Calabrese

(74) *Attorney, Agent, or Firm* — James M Smedley LLC;
James Michael Smedley, Esq.

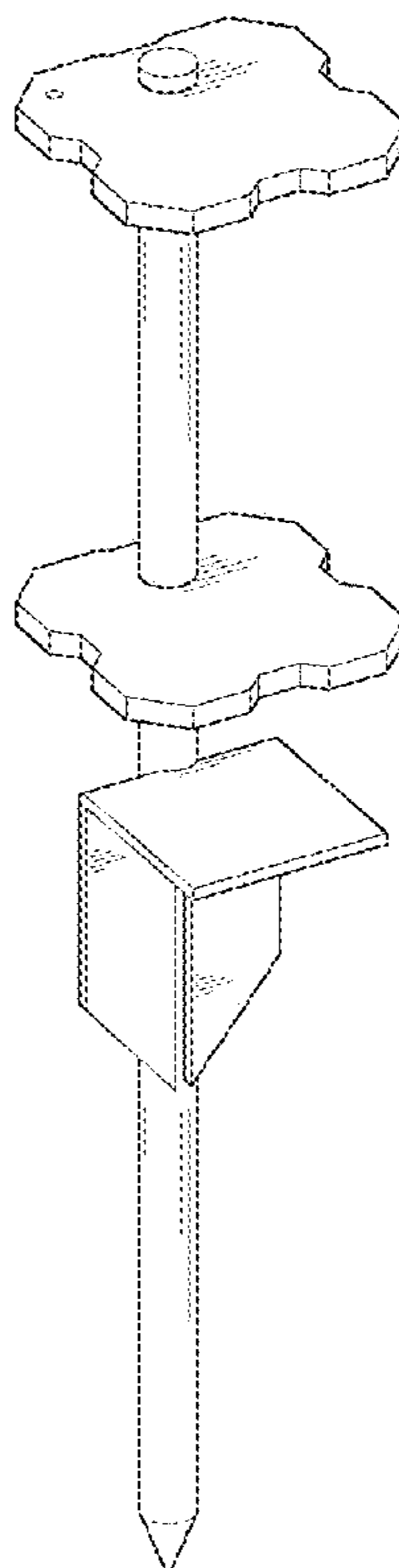
(57) **CLAIM**

I claim the ornamental design for a real estate sign stake, as shown and described.

DESCRIPTION

FIG. 1 is a perspective view showing the new design.
FIG. 2 is a back view showing the new design.
FIG. 3 is a front view showing the new design.
FIG. 4 is a top view showing the new design.
FIG. 5 is a bottom view showing the new design.
FIG. 6 is a side view showing the new design; and,
FIG. 7 is an opposite side view showing the new design.
The shading lines shown in the drawings represent the approximate three-dimensional contour of the design, and are not intended to indicate surface decoration.

1 Claim, 3 Drawing Sheets



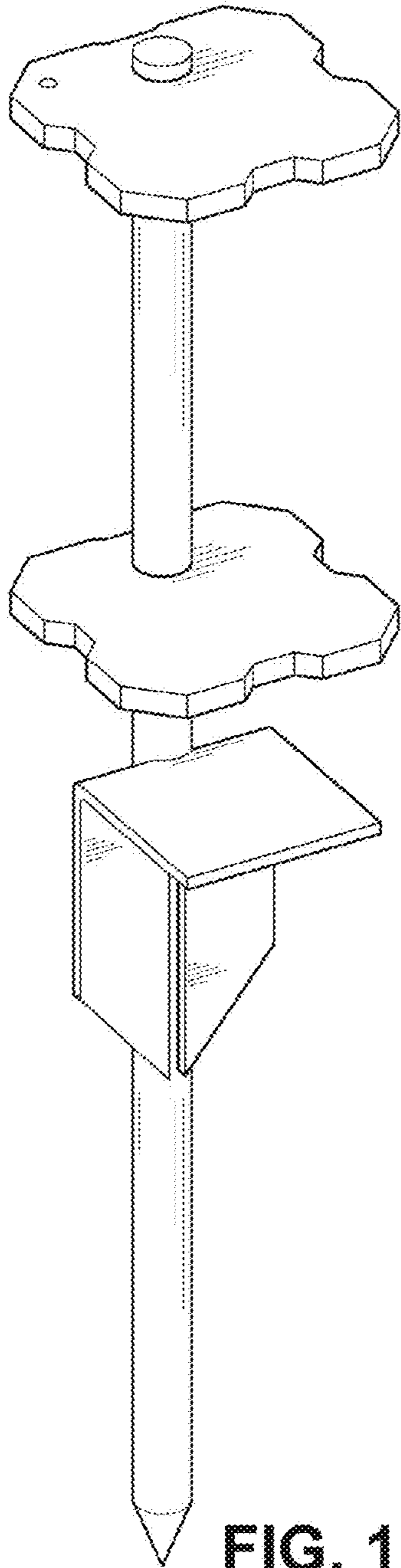


FIG. 1

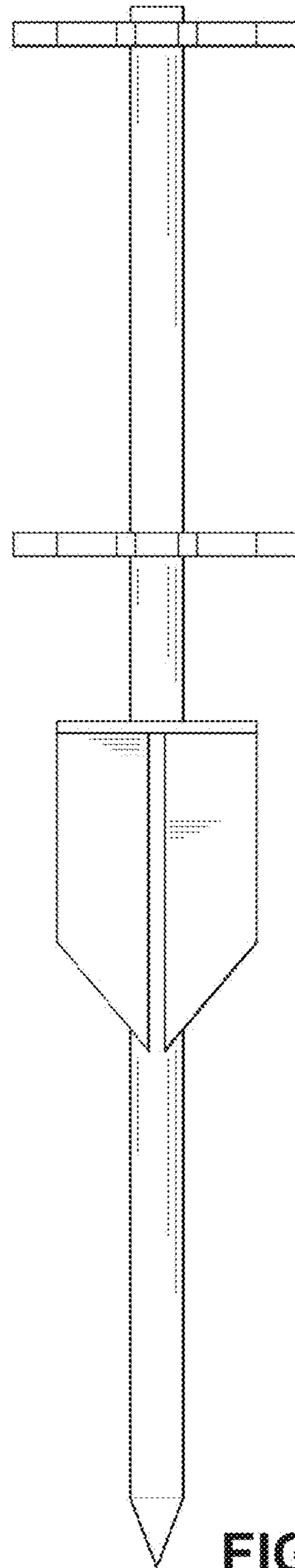


FIG. 2

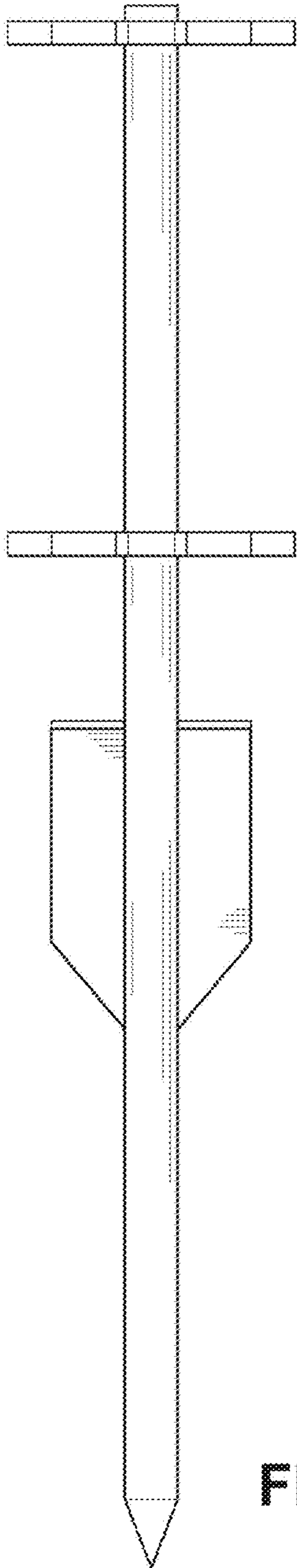


FIG. 3

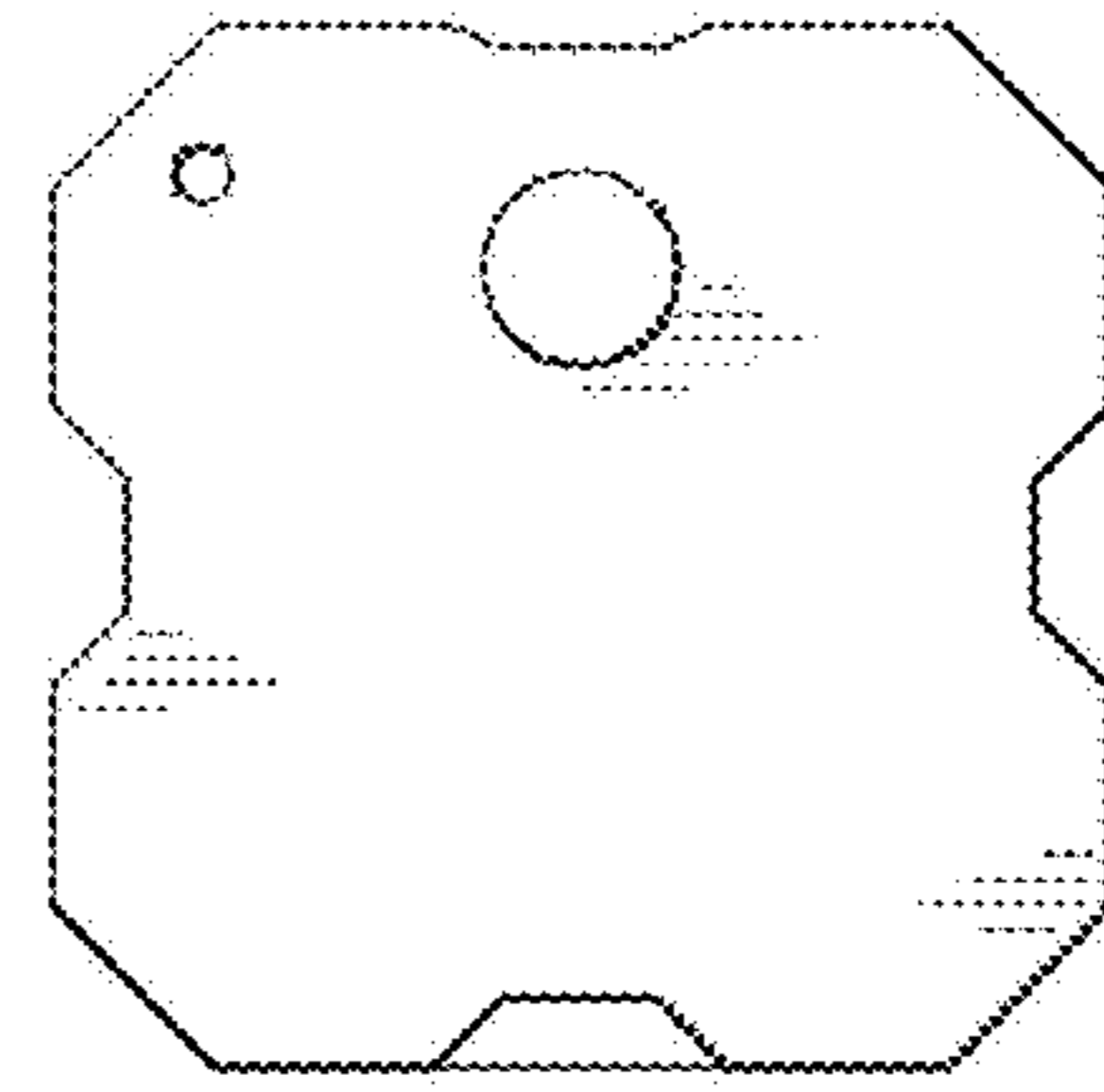


FIG. 4

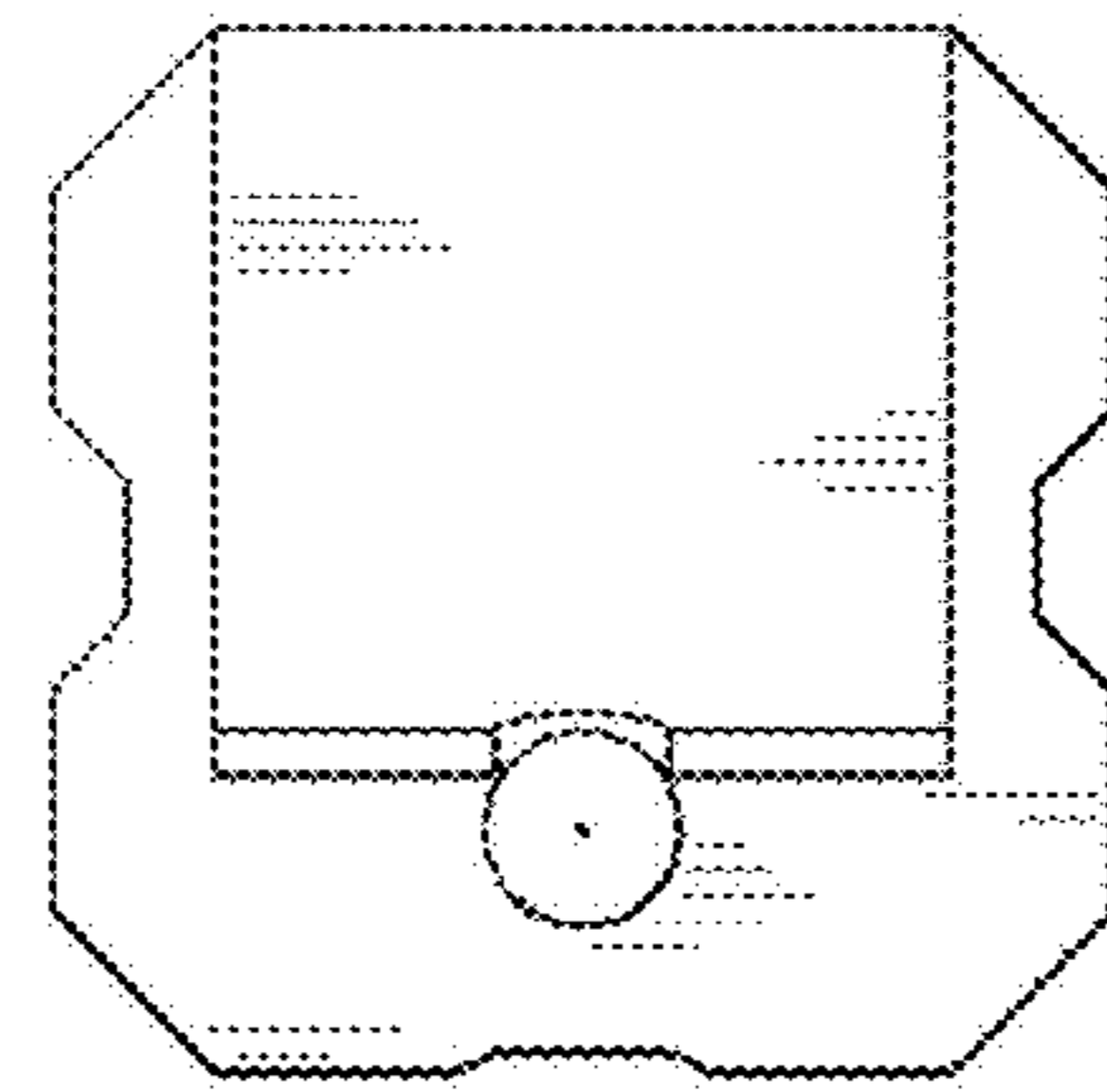


FIG. 5

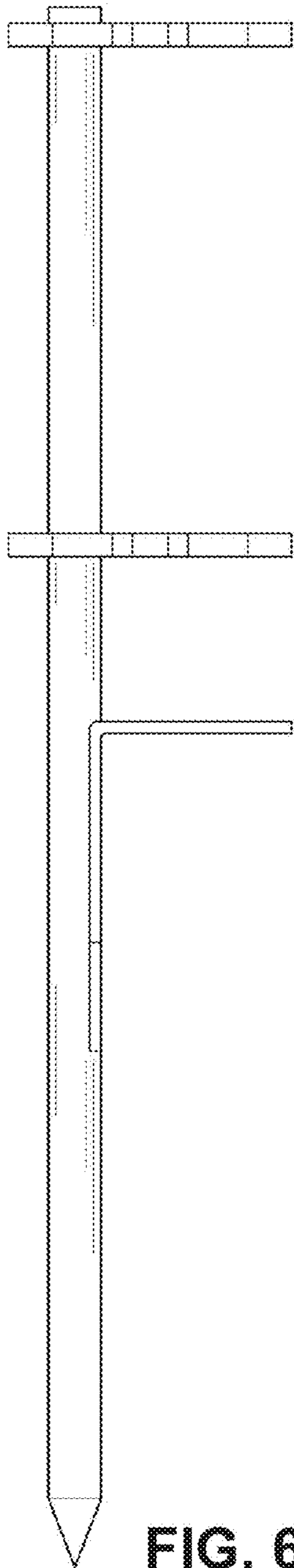


FIG. 6

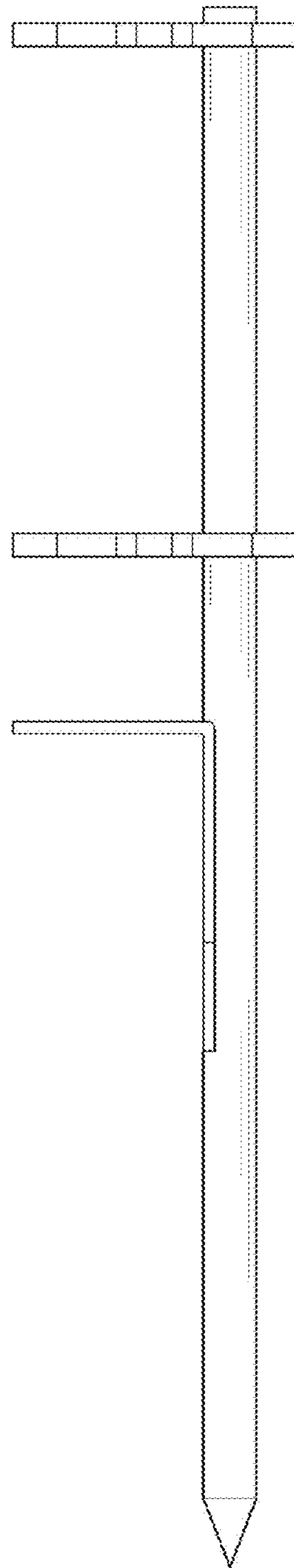


FIG. 7