



US00D702761S

(12) **United States Design Patent**
Foley et al.

(10) **Patent No.:** **US D702,761 S**
(45) **Date of Patent:** **** Apr. 15, 2014**

(54) **DESK ORGANIZER**

D566,771 S 4/2008 Kent et al.
D581,982 S 12/2008 Bhavnani
D681,119 S * 4/2013 Stravitz D19/85

(71) Applicant: **Target Brands, Inc.**, Minneapolis, MN (US)

(72) Inventors: **Joseph P. Foley**, St. Paul, MN (US);
Justin F. Wood, Treasure Island, FL (US);
Joel T. Bodkin, Minneapolis, MN (US)

(73) Assignee: **Target Brands, Inc.**, Minneapolis, MN (US)

(**) Term: **14 Years**

(21) Appl. No.: **29/452,141**

(22) Filed: **Apr. 12, 2013**

(51) **LOC (10) Cl.** **19-02**

(52) **U.S. Cl.**
USPC **D19/77**

(58) **Field of Classification Search**
USPC D3/206, 207, 310, 313; D6/672, 682.1,
D6/682.2; D7/701-708; D19/75, 77-85,
D19/91, 94, 97, 99, 100, 135; 24/3.6, 3.7;
206/214, 224, 371; 211/69.1-69.9, 70
See application file for complete search history.

(56) **References Cited**

U.S. PATENT DOCUMENTS

D41,026 S *	12/1910	Paige	D19/77
D165,510 S	12/1951	Cianciolo		
D289,060 S *	3/1987	Wolff	D19/85
D332,631 S *	1/1993	Klodt	D19/78
5,490,607 A *	2/1996	Hsieh et al.	220/483
D390,266 S *	2/1998	Cheris et al.	D19/78
6,279,753 B1	8/2001	Swanson		
D456,452 S *	4/2002	Chang	D19/78
D474,688 S *	5/2003	Litts	D3/295
D477,848 S *	7/2003	Chen	D19/78
D531,225 S	10/2006	Kent et al.		

OTHER PUBLICATIONS

Target, "Room Essentials® Organizer Desk Lamp," http://www.target.com/p/room-essentials-white-organizer-desk-lamp/-/A-10359348?ref=tgt_adv_XSG10001&AFID=Google_PLA_df&LNM=10359348&CPNG=home%20decor&ci_sku=10359348&ci_gpa=pla&ci_kw, 1 page, at least as early as Oct. 2012.
Ikea, "Mien Storage Box," <http://www.ikea.com/gb/en/catalog/products/80083652/>, 1 page, at least as early as Oct. 2012.
Amazon, "Rolodex WoodTones Pencil Cup Holder," http://www.amazon.com/dp/B00006IAM5/?tag=hyprod-20&hvadid=15466961619&hvpos=1o1&hvexid=&hvnetw=g&hvrand=15178850271705606569&hvpone=&hvptwo=&hvqmt=&ref=asc_df_B00006IAM5, 1 page, at least as early as Oct. 2012.

* cited by examiner

Primary Examiner — Elizabeth Albert

(74) Attorney, Agent, or Firm — Leanne Taveggia Farrell; Westman, Champlin & Koehler, P.A.

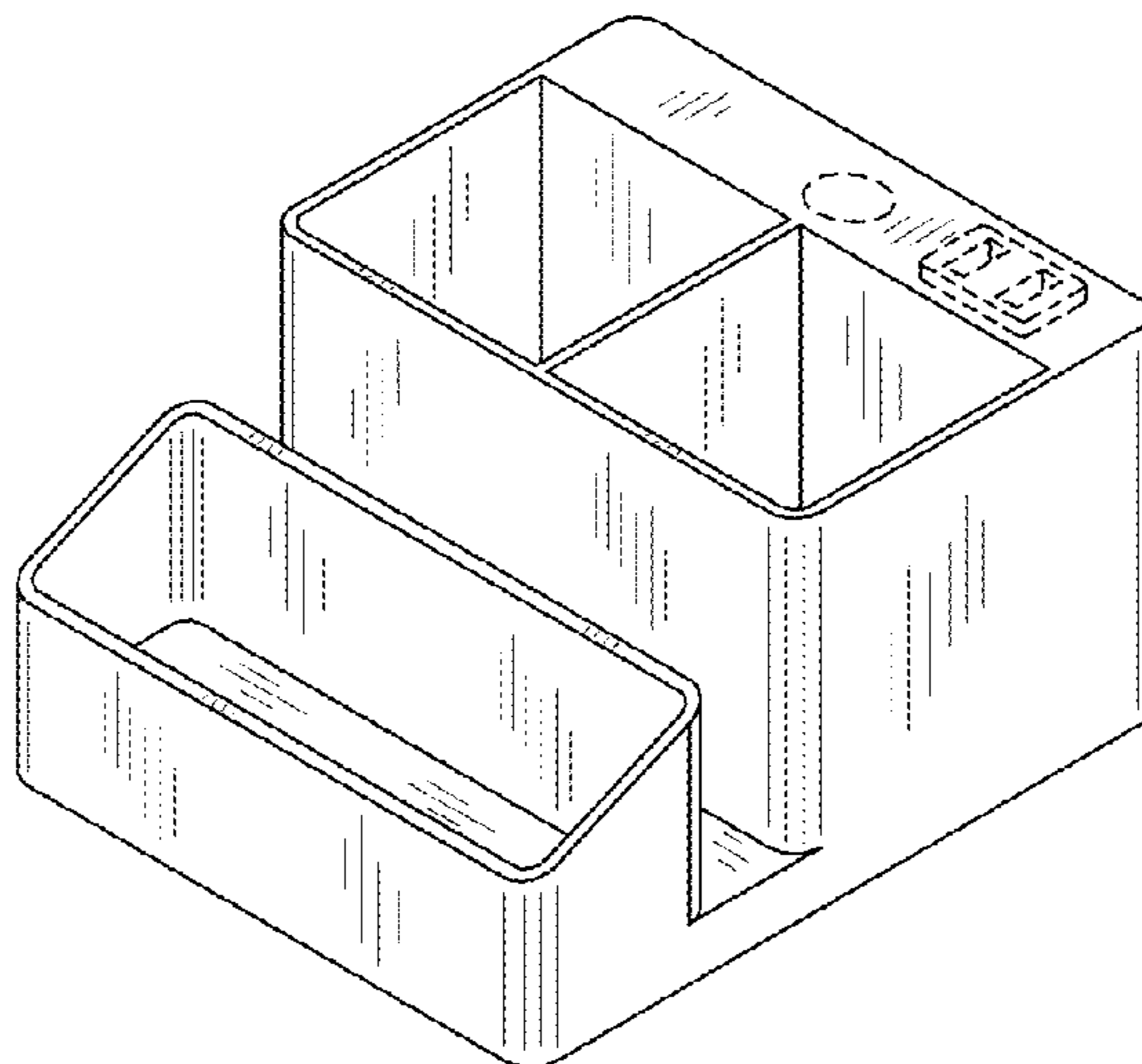
(57) **CLAIM**

The ornamental design for a desk organizer, as shown and described.

DESCRIPTION

FIG. 1 is a perspective view of a desk organizer showing our new design;
FIG. 2 is another perspective view thereof;
FIG. 3 is a front view thereof;
FIG. 4 is a back view thereof;
FIG. 5 is a side view thereof, the opposing side being a mirror image;
FIG. 6 is a bottom view thereof; and,
FIG. 7 is a top view thereof.
The broken lines shown in the drawings are included for purposes of illustrating environment and form no part of the claimed design.

1 Claim, 3 Drawing Sheets



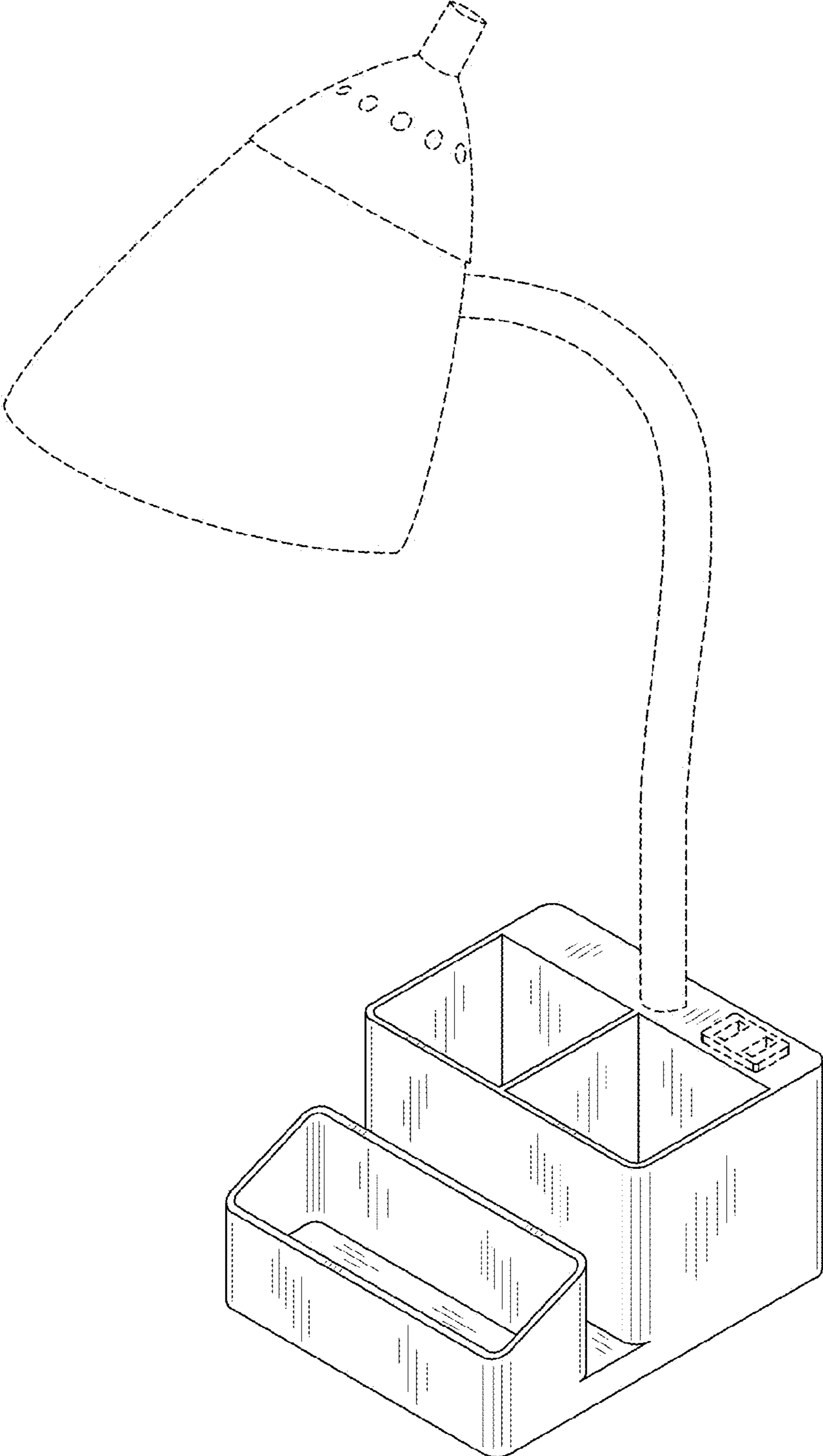


Fig. 1

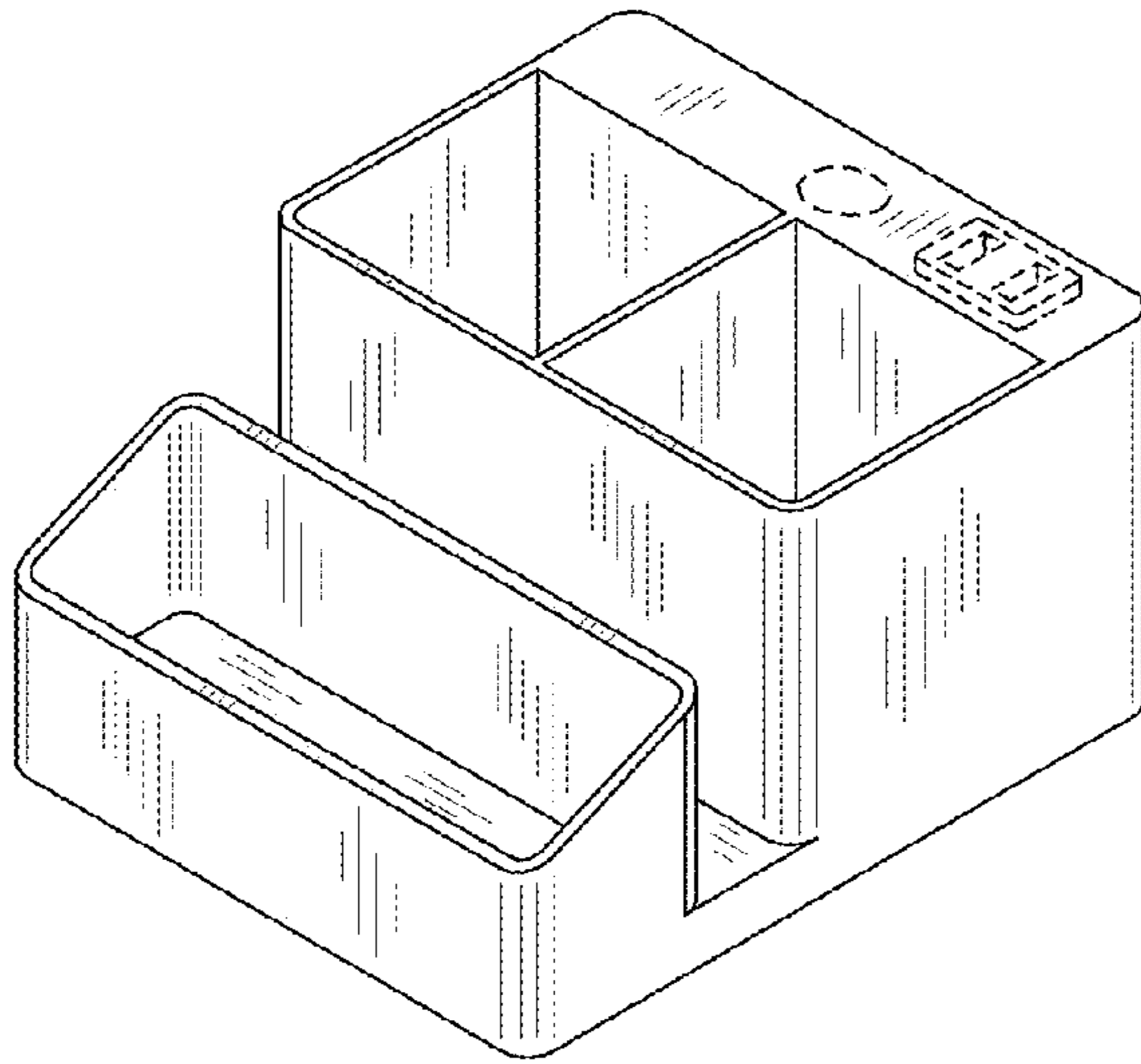


Fig. 2

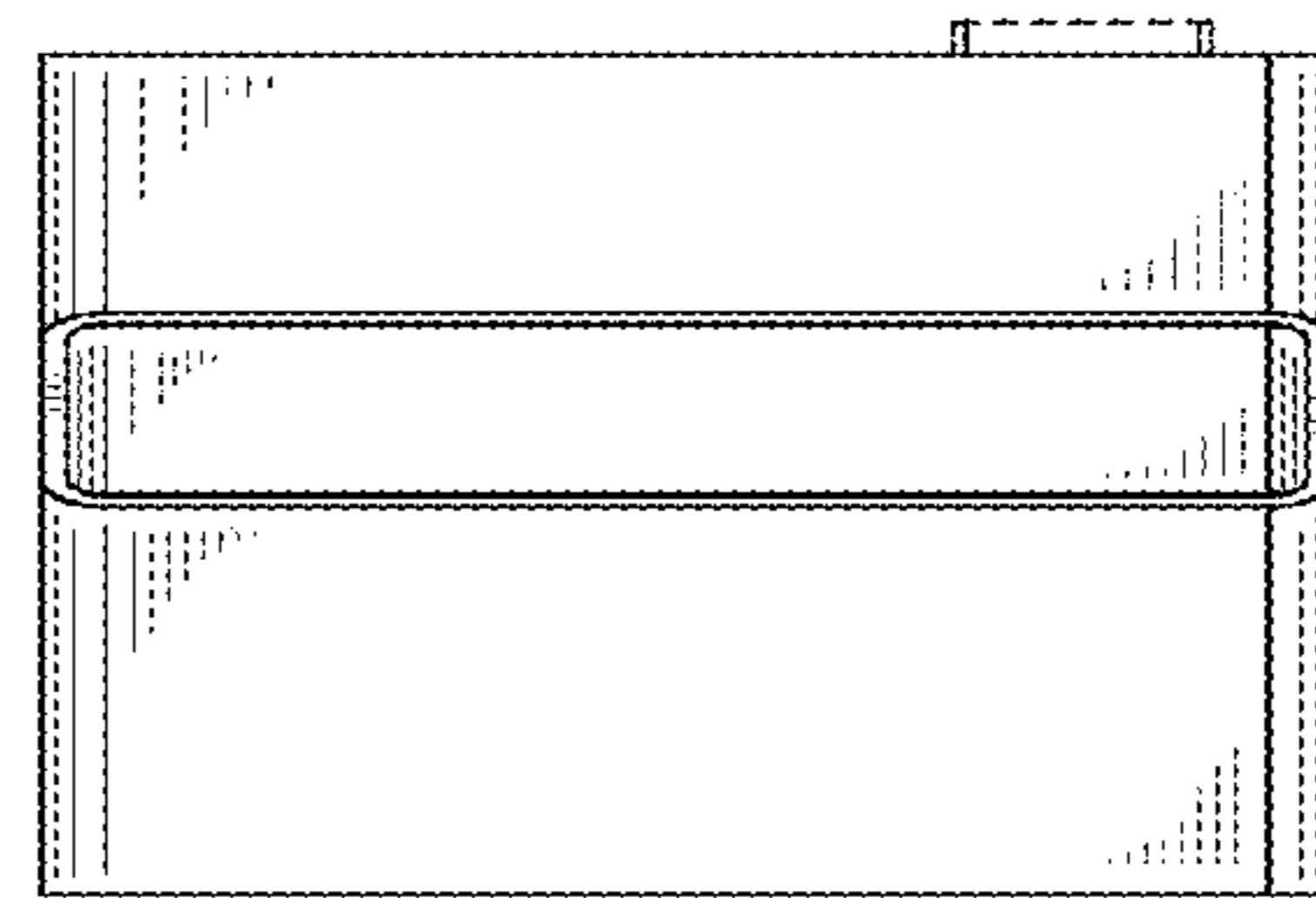


Fig. 3

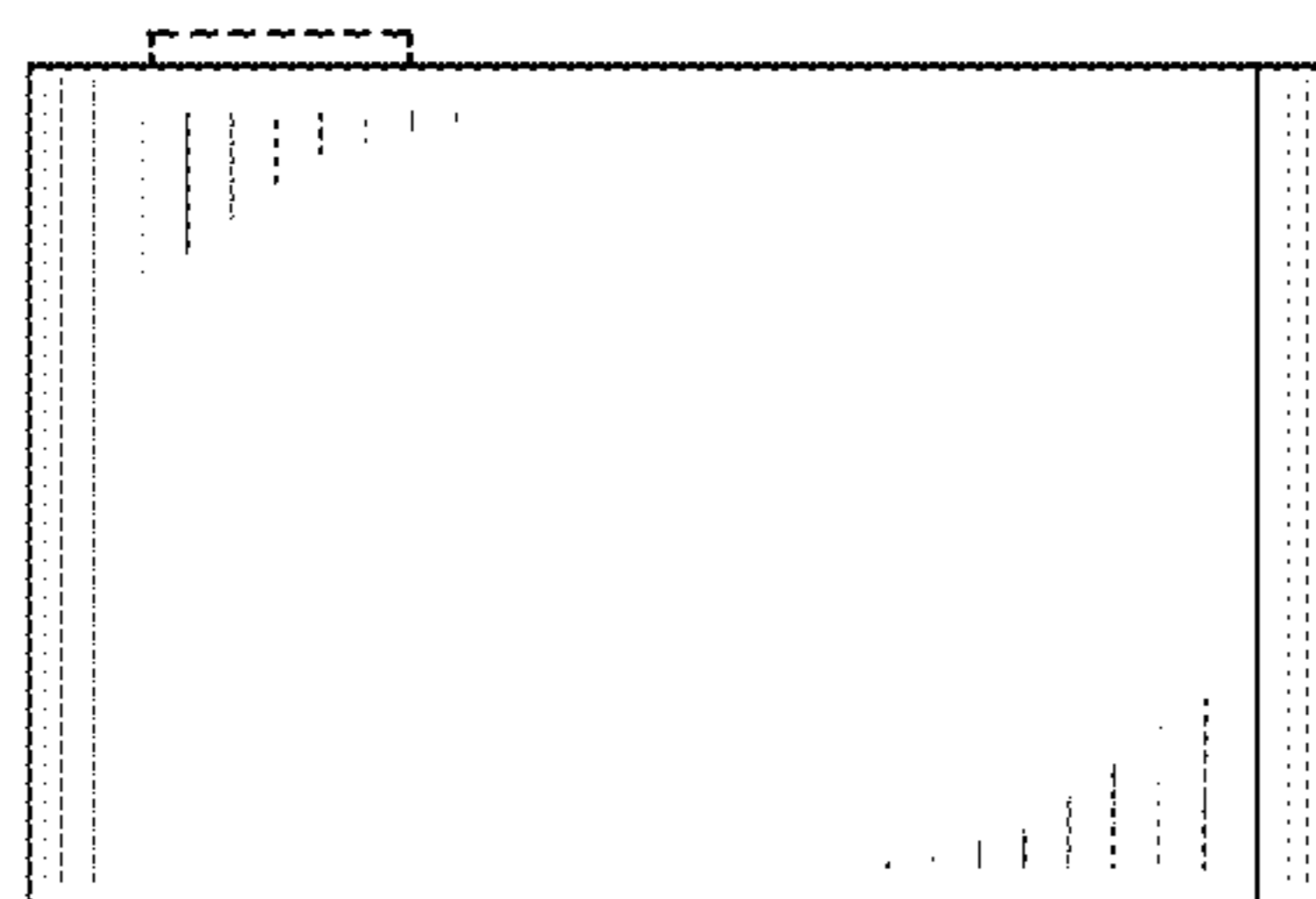


Fig. 4

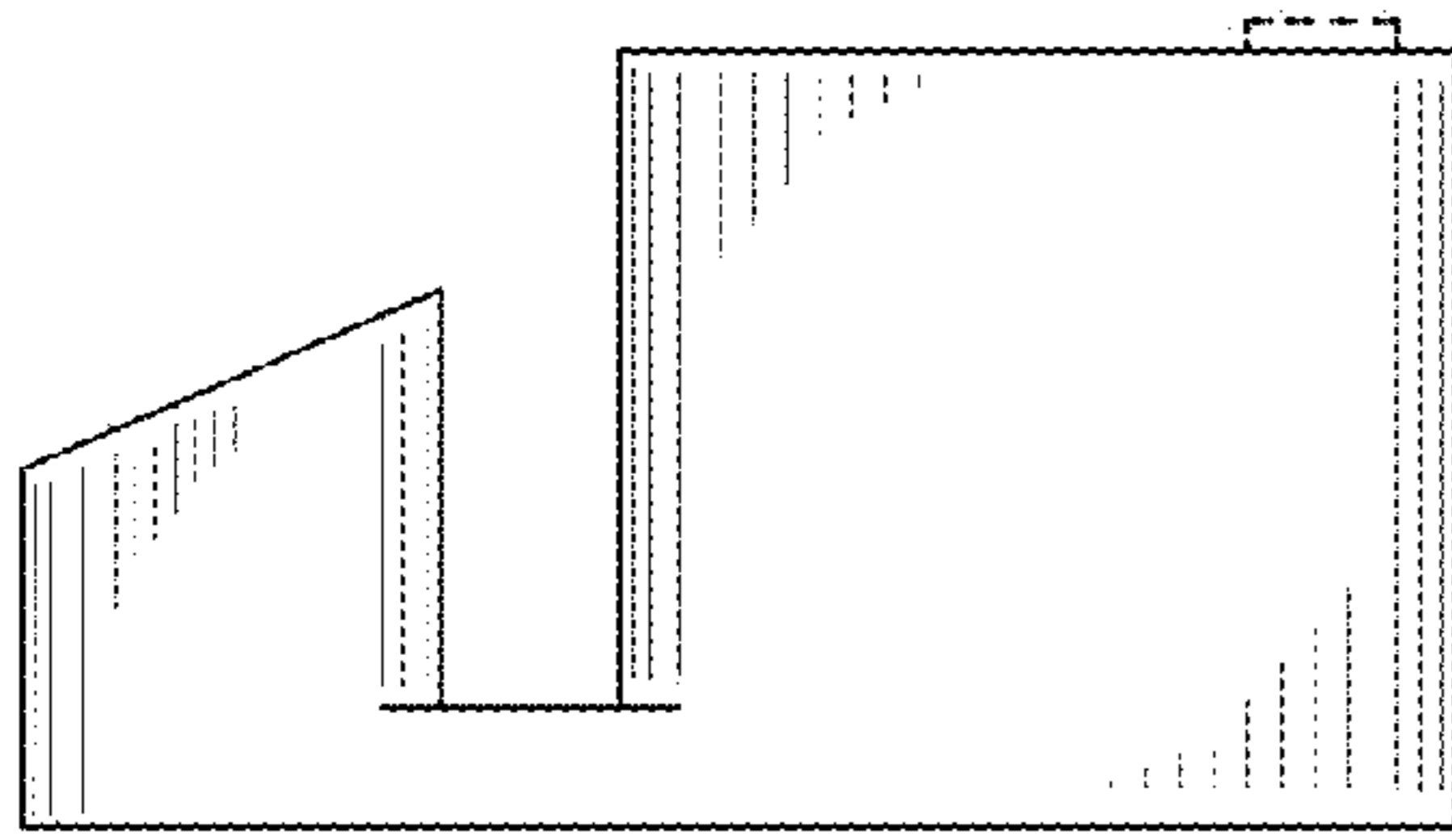


Fig. 5

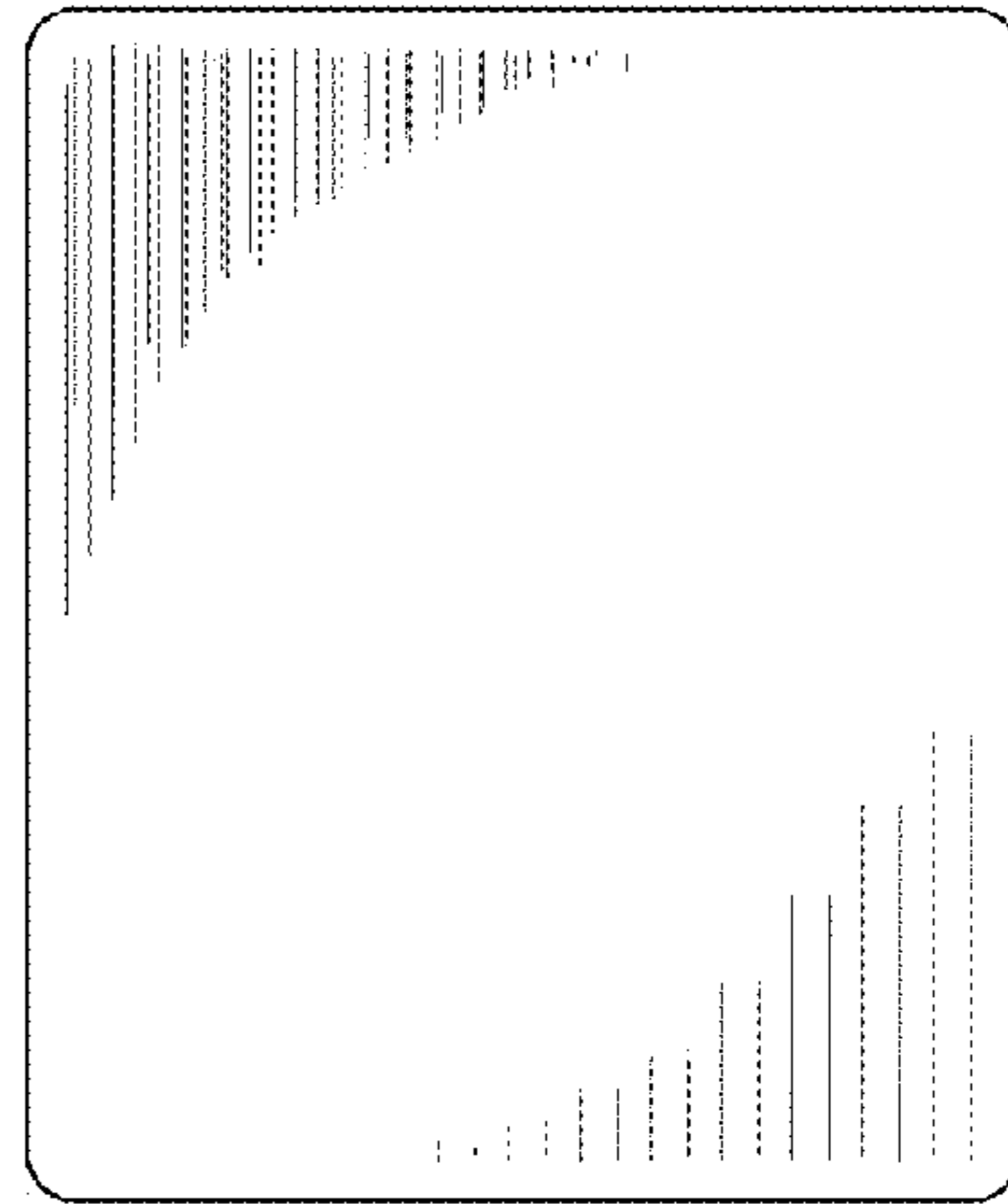


Fig. 6

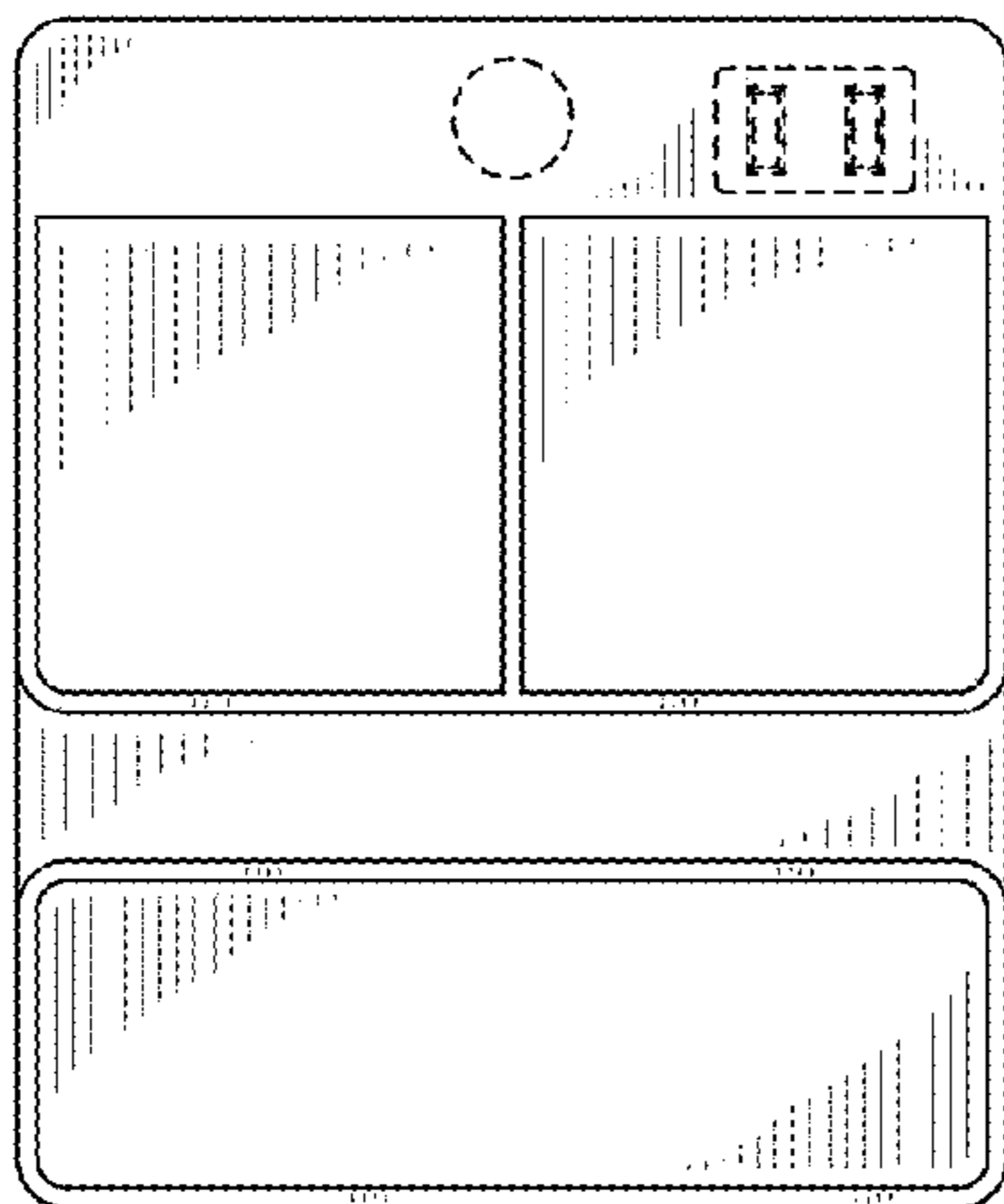


Fig. 7