



US00D702760S

(12) **United States Design Patent**  
**Kim et al.**

(10) **Patent No.:** **US D702,760 S**  
(45) **Date of Patent:** **\*\* Apr. 15, 2014**

(54) **MULTIFUNCTION PRINTER**  
(71) Applicants: **Kyong-Hwan Kim**, Seoul (KR); **Naoto Fukasawa**, Tokyo (JP); **Seung-Wook Jeong**, Seoul (KR); **Isogai Yoshitaka**, Seongnam (KR)

D567,848 S \* 4/2008 Kawamura et al. .... D18/39  
D584,344 S 1/2009 Lee et al.  
D626,588 S \* 11/2010 Kim et al. .... D18/39  
D641,778 S 7/2011 Lee et al.  
D673,603 S \* 1/2013 Suzuki et al. .... D18/55  
D682,928 S 5/2013 Kim et al.  
D688,742 S \* 8/2013 Kim et al. .... D18/55  
D689,543 S \* 9/2013 Seki et al. .... D18/50

(72) Inventors: **Kyong-Hwan Kim**, Seoul (KR); **Naoto Fukasawa**, Tokyo (JP); **Seung-Wook Jeong**, Seoul (KR); **Isogai Yoshitaka**, Seongnam (KR)

**OTHER PUBLICATIONS**

U.S. Appl. No. 29/427,368, Applicant: Naoto Fukasawa et al., filed Jul. 17, 2012 entitled Printer, NOA mailed.  
U.S. Appl. No. 29/427,372, Applicant: Naoto Fukasawa et al., filed Jul. 17, 2012 entitled Printer, NOA mailed.  
U.S. Appl. No. 29/422,982, Applicant: Naoto Fukasawa et al., filed May 25, 2012 entitled Printer, NOA mailed.

(73) Assignee: **Samsung Electronics Co., Ltd.**, Suwon-si, Gyeonggi-do (KR)

\* cited by examiner

(\*\*) Term: **14 Years**

*Primary Examiner* — Cathy A MacCormac

(21) Appl. No.: **29/445,993**

(74) *Attorney, Agent, or Firm* — Flynn, Thiel, Boutell & Tanis, P.C.

(22) Filed: **Feb. 19, 2013**

(30) **Foreign Application Priority Data**

Nov. 5, 2012 (KR) ..... 30-2012-0052691

(51) **LOC (10) CL.** ..... **14-02**

(52) **U.S. CL.**  
USPC ..... **D18/55**

(58) **Field of Classification Search**  
USPC ..... D18/36–39, 50, 54, 54.1, 55;  
D14/420–425, 463–470; 400/613,  
400/613.1–613.4, 690.1–690.4, 691–694  
See application file for complete search history.

(57) **CLAIM**

The ornamental design for a multifunction printer, as shown and described.

(56) **References Cited**

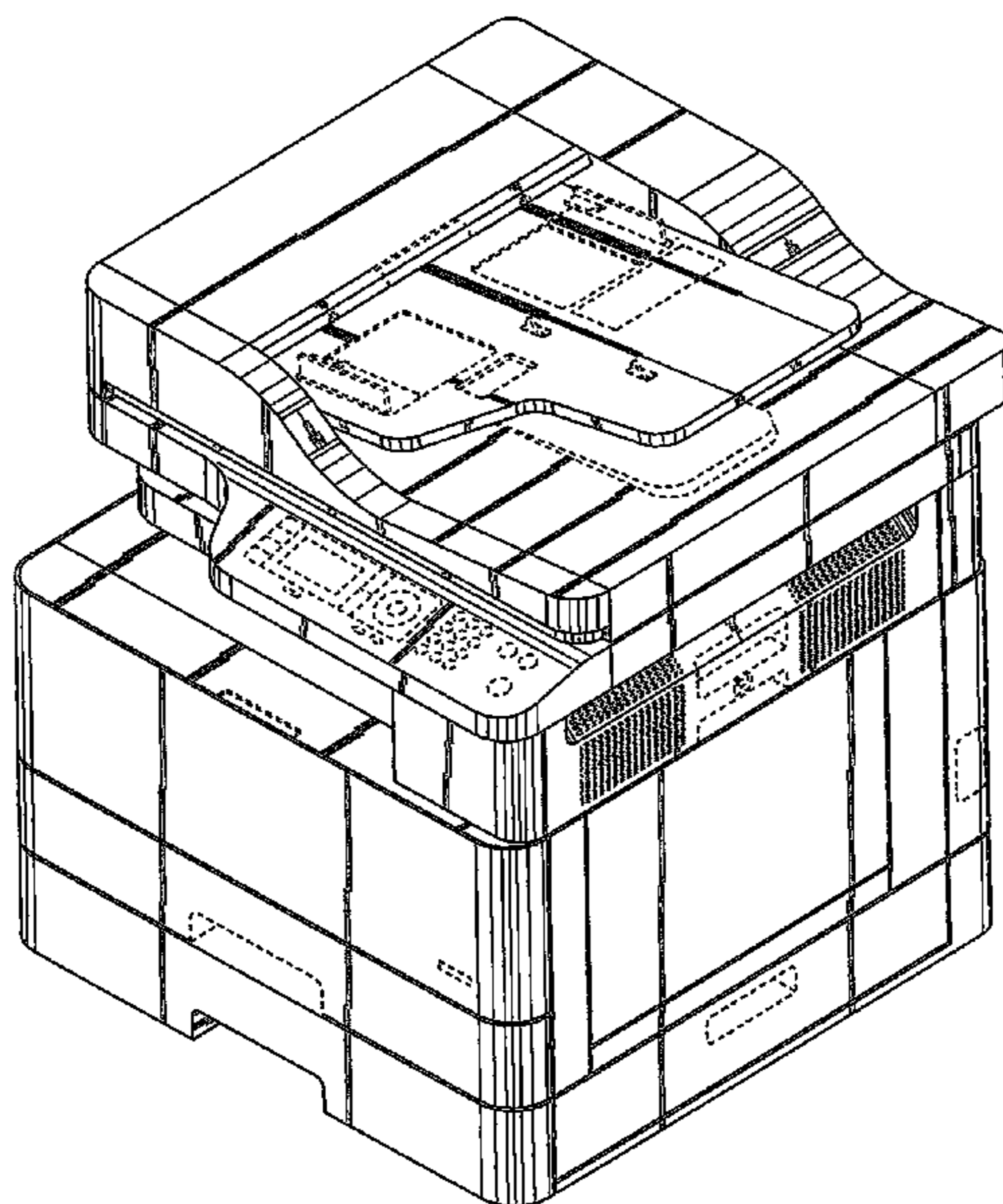
**U.S. PATENT DOCUMENTS**

D549,769 S \* 8/2007 Kawamura et al. .... D18/39  
D555,195 S 11/2007 Park et al.  
D561,824 S \* 2/2008 Park et al. .... D18/55

**DESCRIPTION**

FIG. 1 is a top front perspective view of a multifunction printer showing our new design;  
FIG. 2 is a front elevational view thereof;  
FIG. 3 is a rear elevational view thereof;  
FIG. 4 is a left side elevational view thereof;  
FIG. 5 is a right side elevational view thereof;  
FIG. 6 is a top plan view thereof; and,  
FIG. 7 is a bottom plan view thereof.  
The broken lines depict environmental subject matter only and form no part of the claimed design.

**1 Claim, 7 Drawing Sheets**



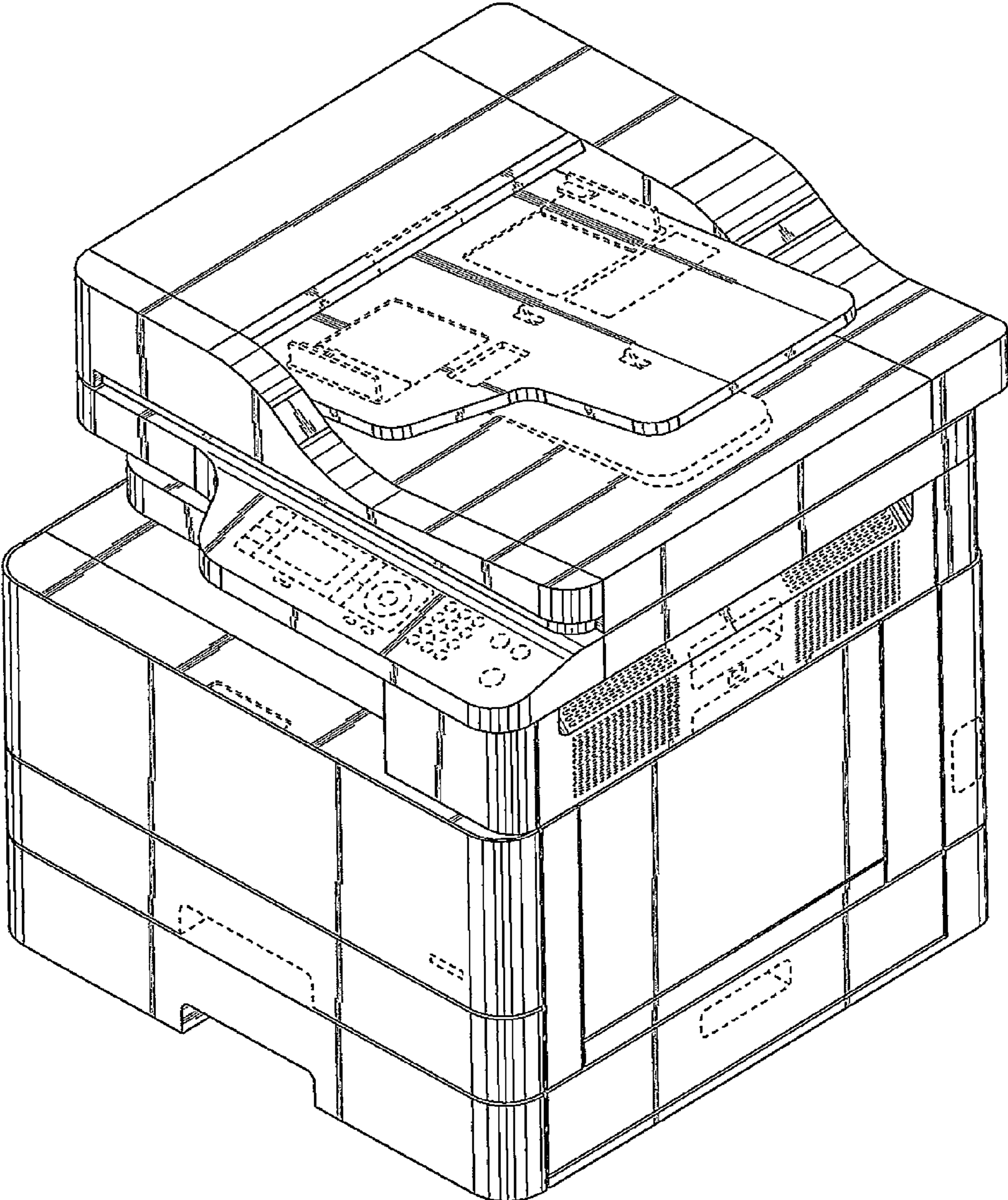


FIG. 1

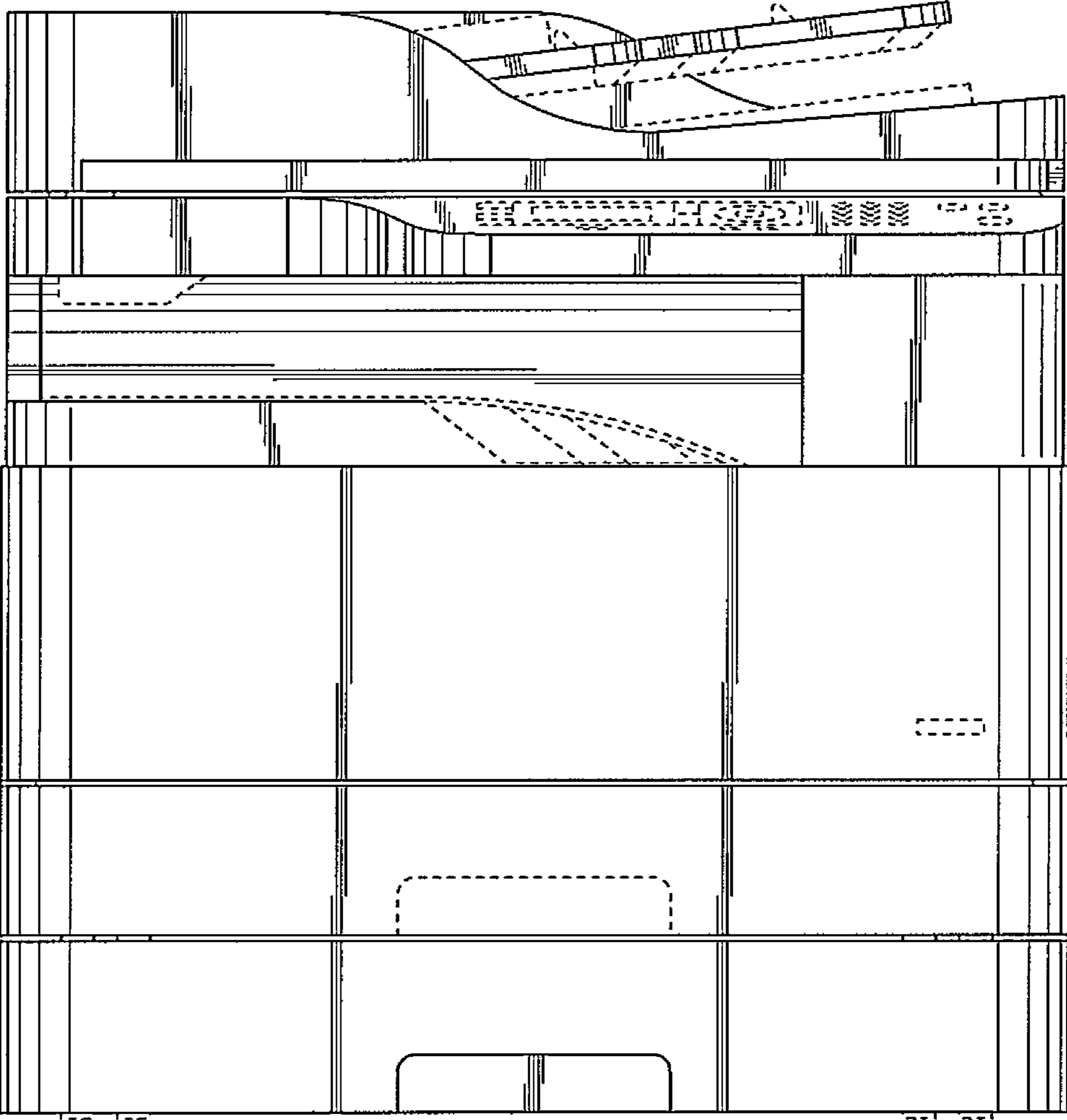


FIG. 2

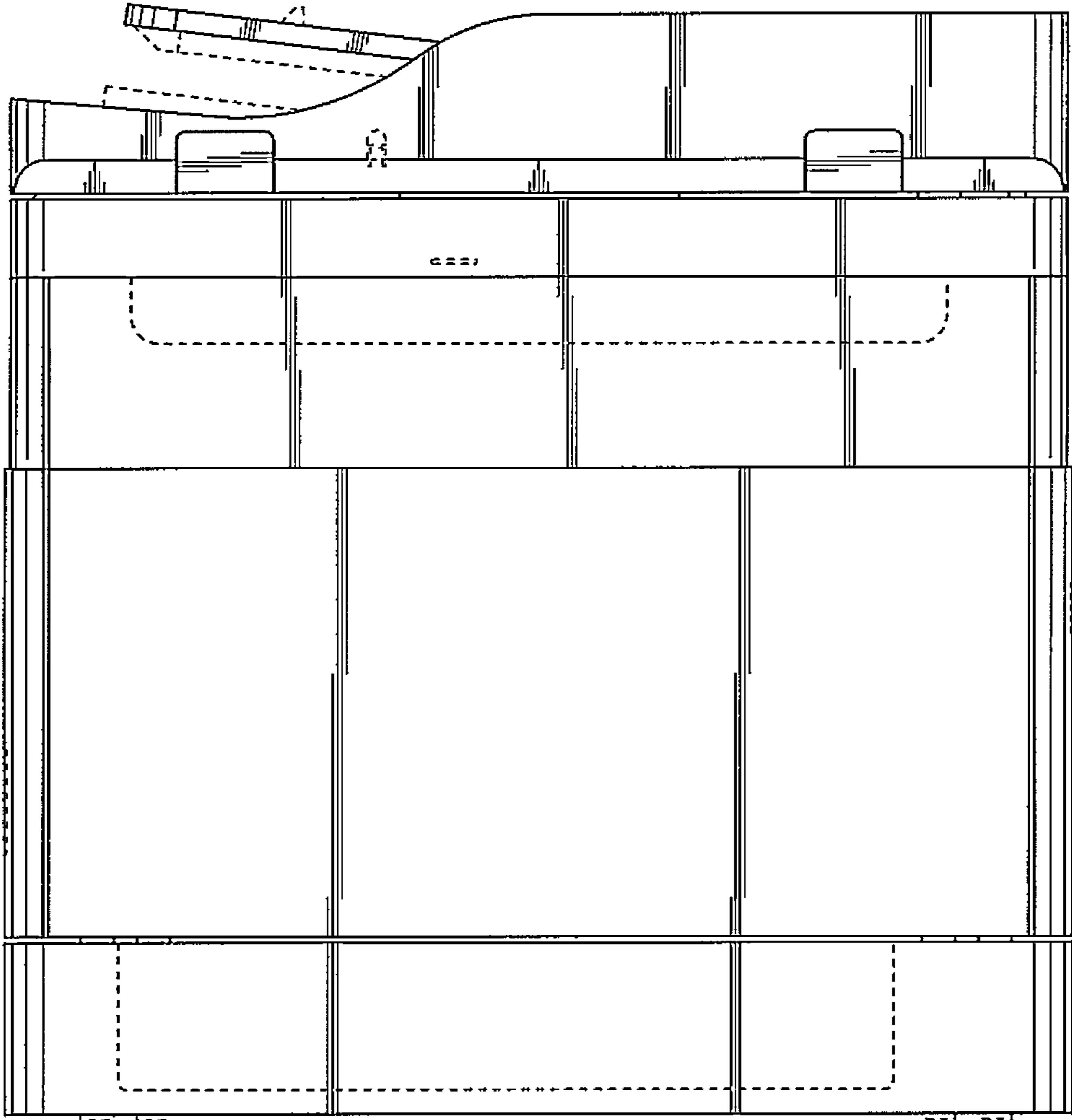


FIG. 3

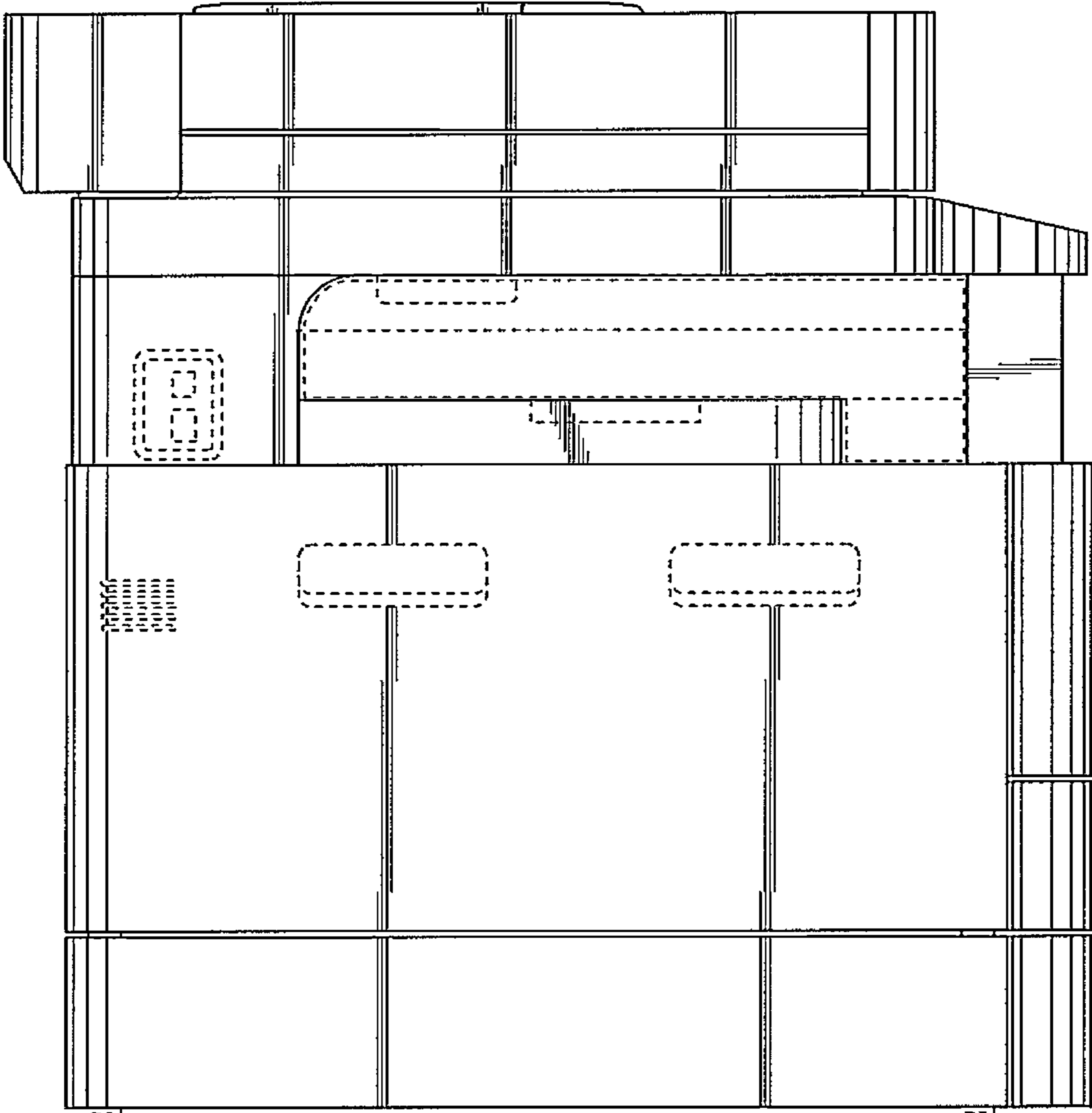


FIG. 4

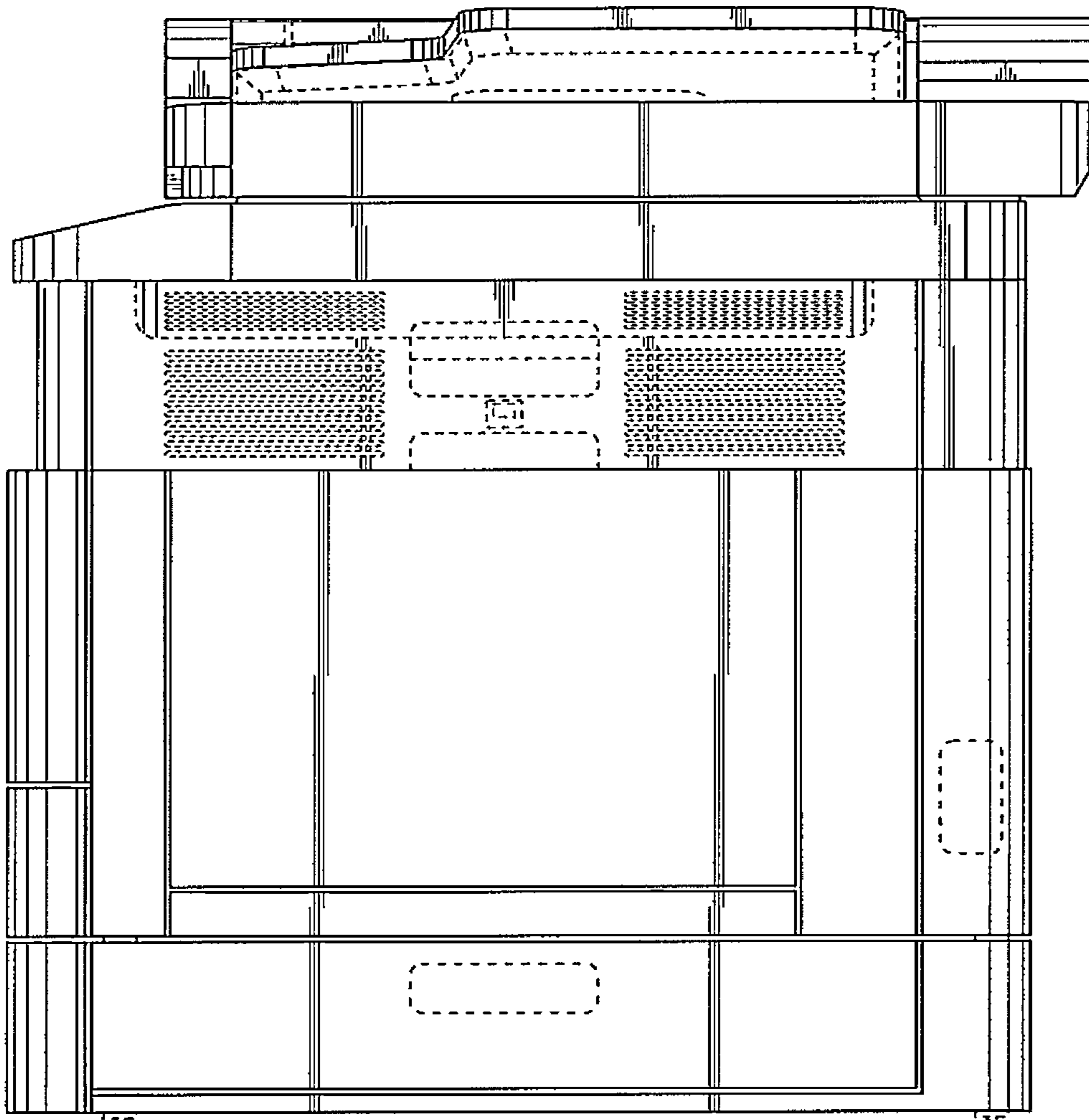


FIG. 5

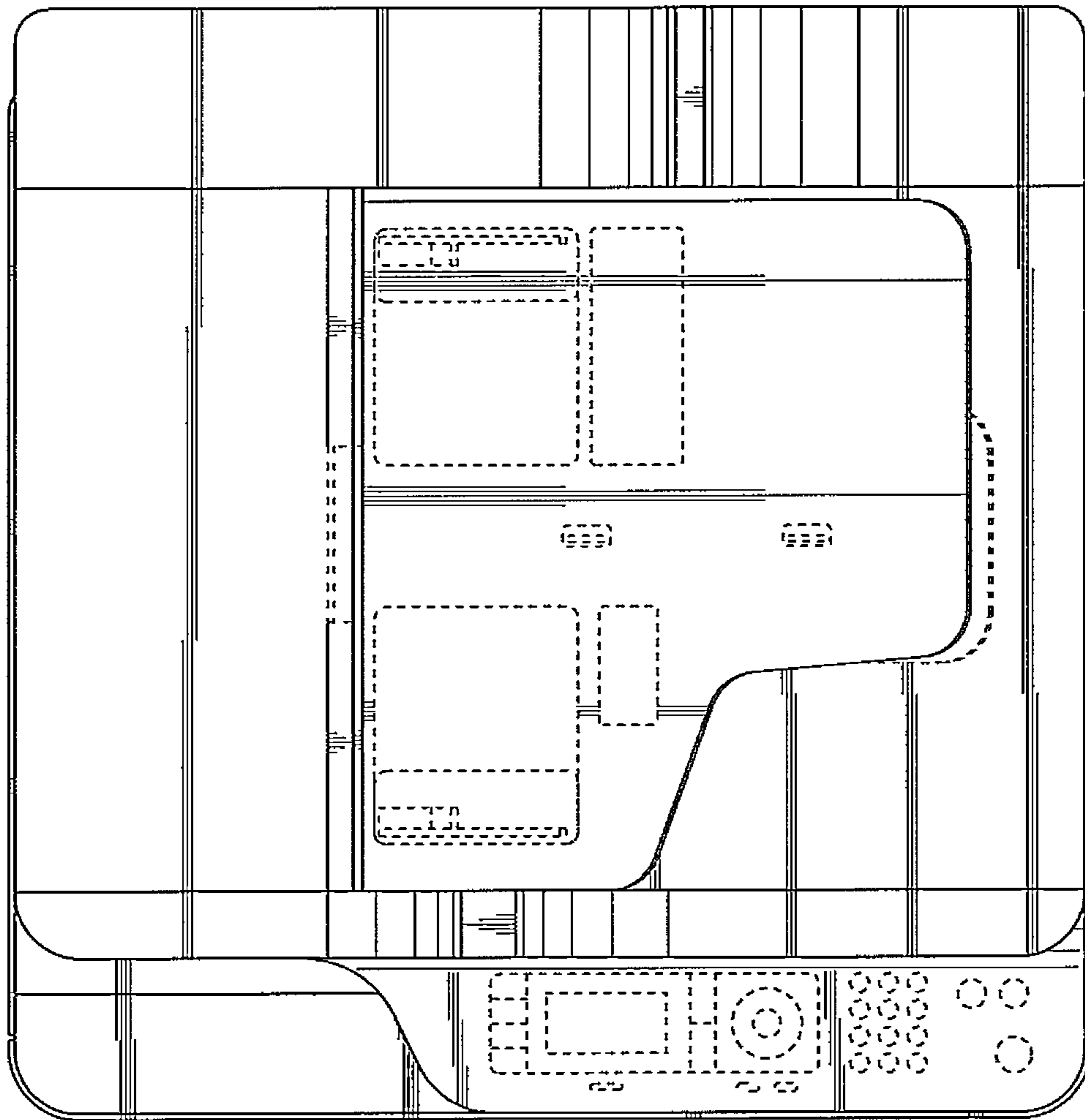


FIG. 6

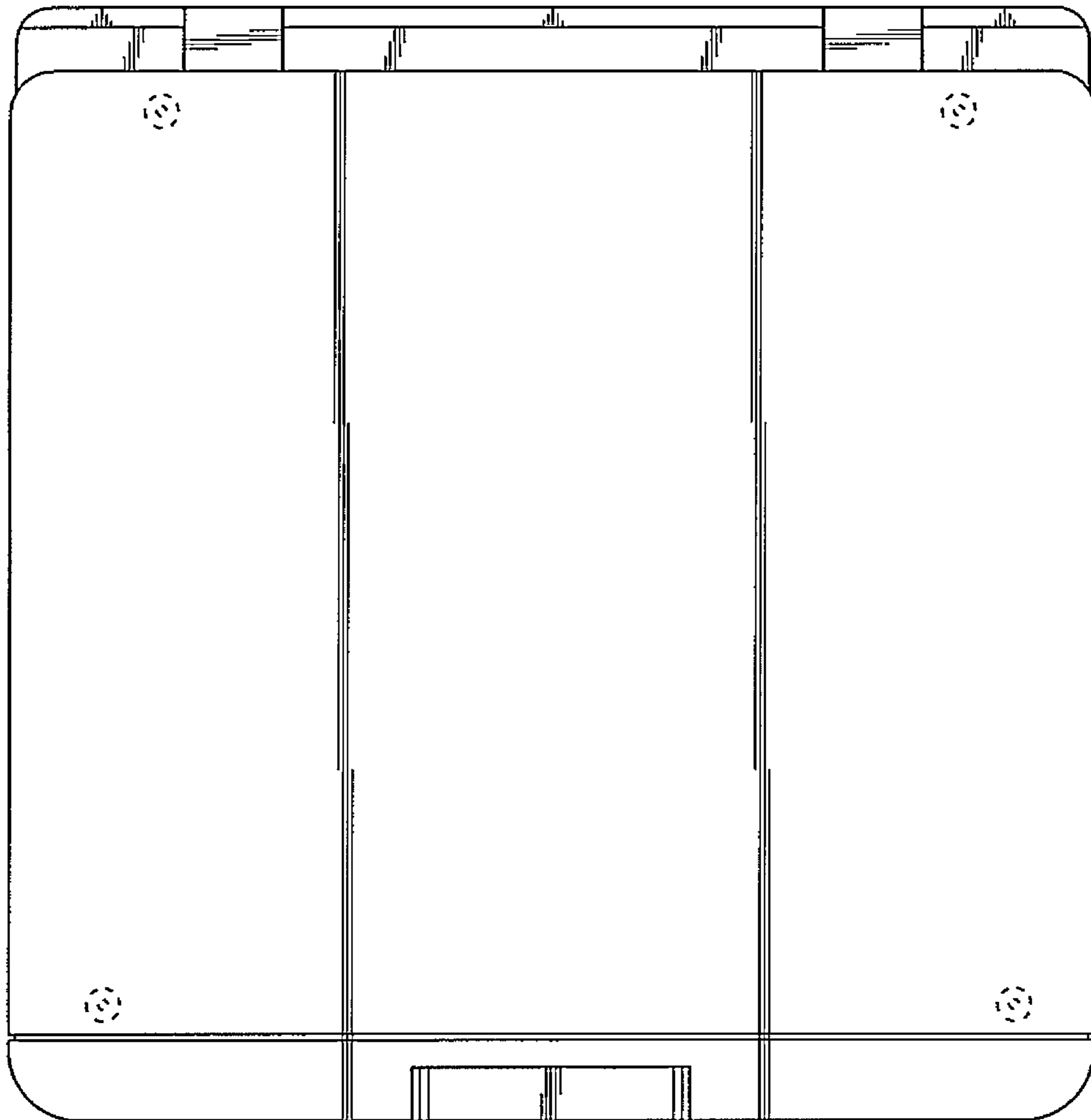


FIG. 7