



US00D702754S

(12) **United States Design Patent**  
**Bould et al.**

(10) **Patent No.:** **US D702,754 S**  
(45) **Date of Patent:** **\*\* Apr. 15, 2014**

- (54) **LENS COVER**
- (71) Applicants: **Fred Bould**, Menlo Park, CA (US);  
**Kristen Beck**, San Mateo, CA (US)
- (72) Inventors: **Fred Bould**, Menlo Park, CA (US);  
**Kristen Beck**, San Mateo, CA (US)
- (73) Assignee: **GoPro, Inc.**, San Mateo, CA (US)
- (\*\*) Term: **14 Years**
- (21) Appl. No.: **29/434,203**
- (22) Filed: **Oct. 10, 2012**
- (51) **LOC (10) Cl.** ..... **16-05**
- (52) **U.S. Cl.**  
USPC ..... **D16/237**
- (58) **Field of Classification Search**  
USPC ..... D16/219, 237, 239, 240–241;  
D14/203.4, 250, 345, 440, 449; 362/3,  
362/16–18, 182, 552, 612; D3/205, 227,  
D3/247, 263, 267, 268, 298; D8/73, 107,  
D8/310, 352, 373, 382; D9/435, 445, 453,  
D9/454  
See application file for complete search history.

- D594,049 S \* 6/2009 Budai ..... D16/237
- D622,591 S \* 8/2010 Biesecker et al. .... D9/435
- D623,940 S \* 9/2010 Ianello ..... D9/435
- D642,054 S \* 7/2011 Samartgis ..... D9/435

\* cited by examiner

*Primary Examiner* — Susan Bennett Hattan  
*Assistant Examiner* — Vy Koenig  
(74) *Attorney, Agent, or Firm* — Fenwick & West LLP

(57) **CLAIM**  
The ornamental design for a lens cover, as shown and described.

**DESCRIPTION**

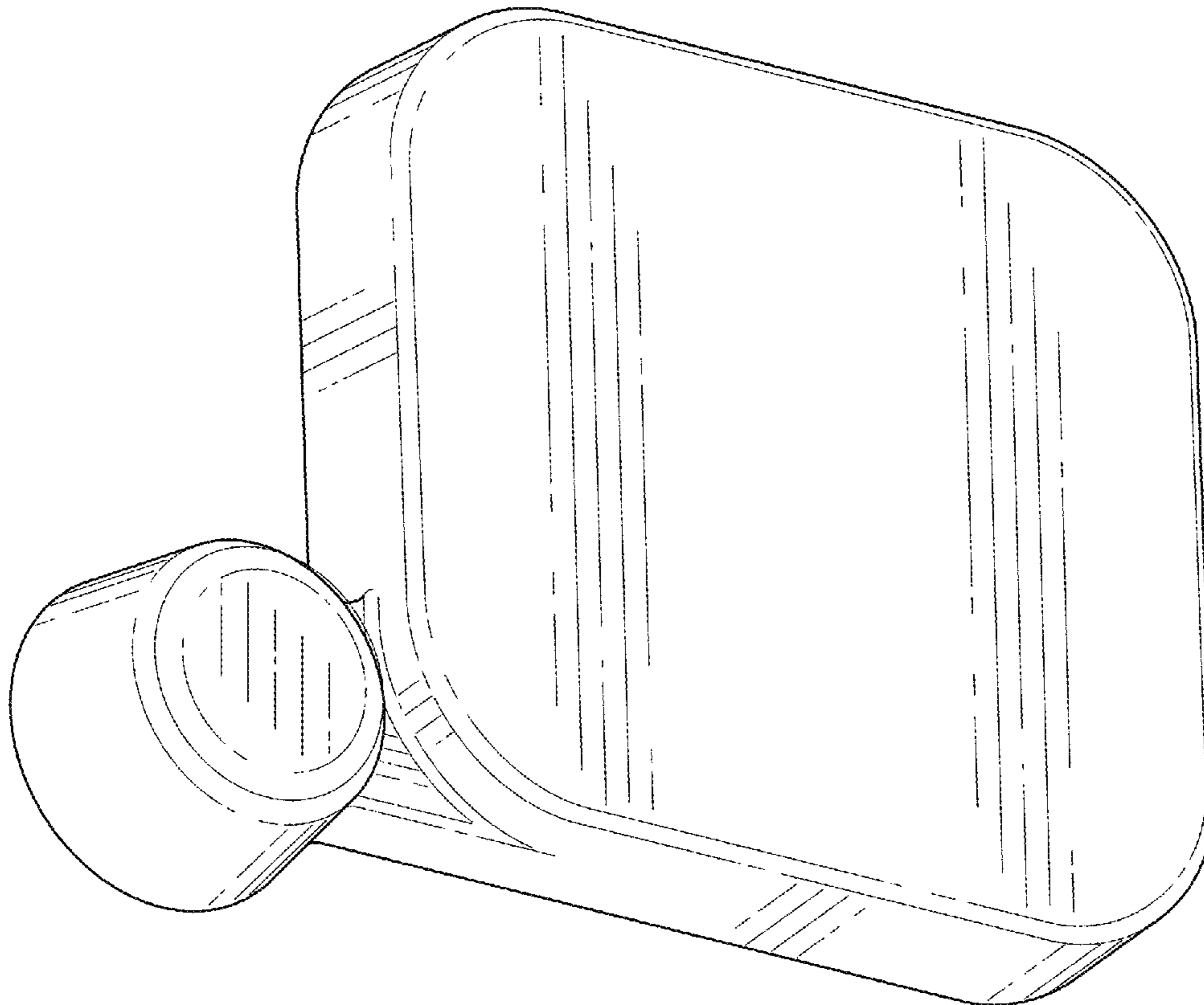
FIG. 1 is a front, bottom and left side perspective view of a lens cover showing our new design;  
FIG. 2 is a front, top and right side perspective view thereof;  
FIG. 3 is a rear, top and left side perspective view thereof;  
FIG. 4 is a rear, bottom and right side perspective view thereof;  
FIG. 5 is a front elevational view thereof;  
FIG. 6 is a rear elevational view thereof;  
FIG. 7 is a top plan view thereof;  
FIG. 8 is a bottom plan view thereof;  
FIG. 9 is a left side elevational view thereof; and,  
FIG. 10 is a right side elevational view thereof.

(56) **References Cited**

**U.S. PATENT DOCUMENTS**

- D425,092 S \* 5/2000 Eto et al. .... D16/208
- D540,669 S \* 4/2007 George et al. .... D9/435

**1 Claim, 8 Drawing Sheets**



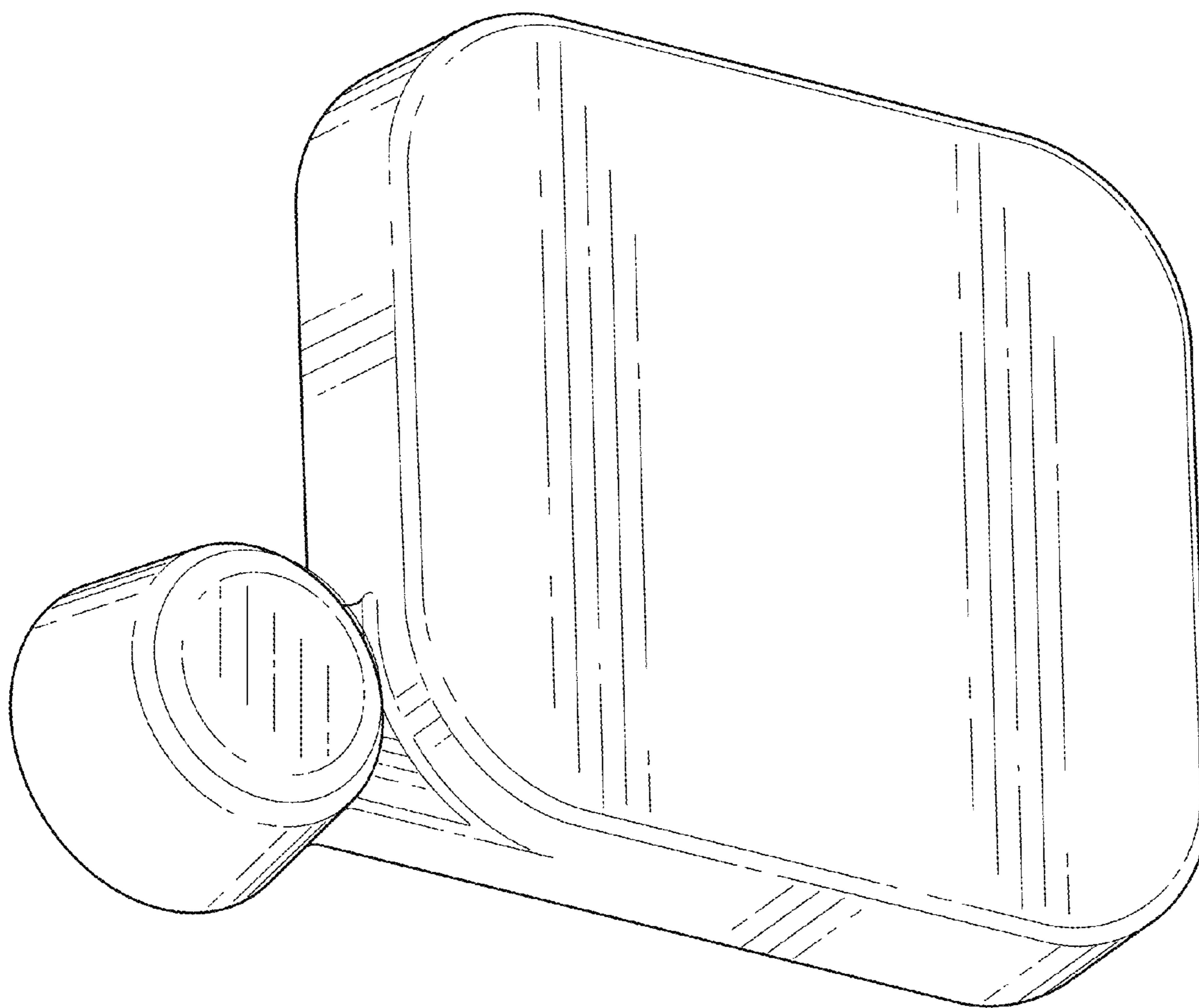


FIG. 1

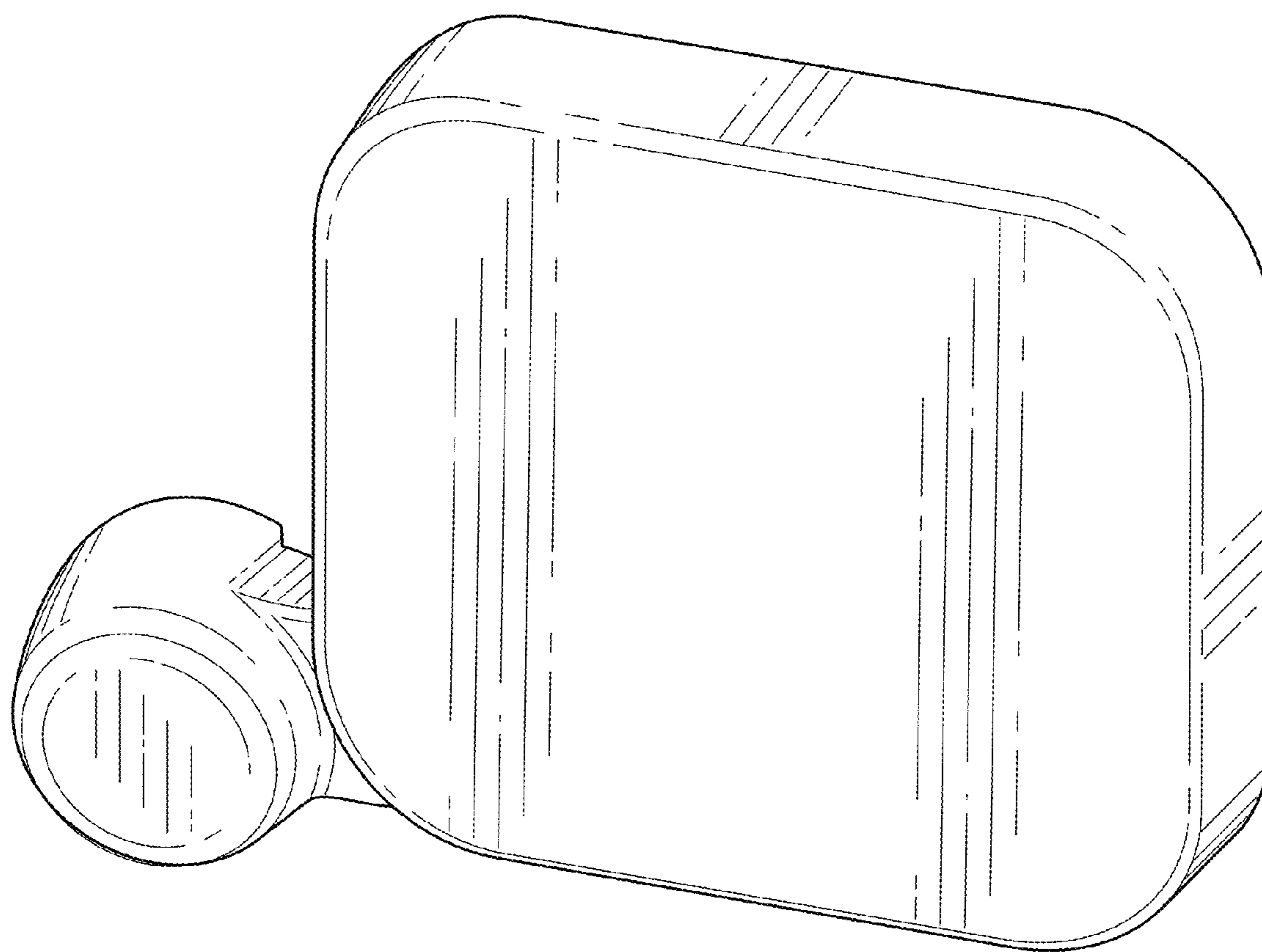


FIG. 2

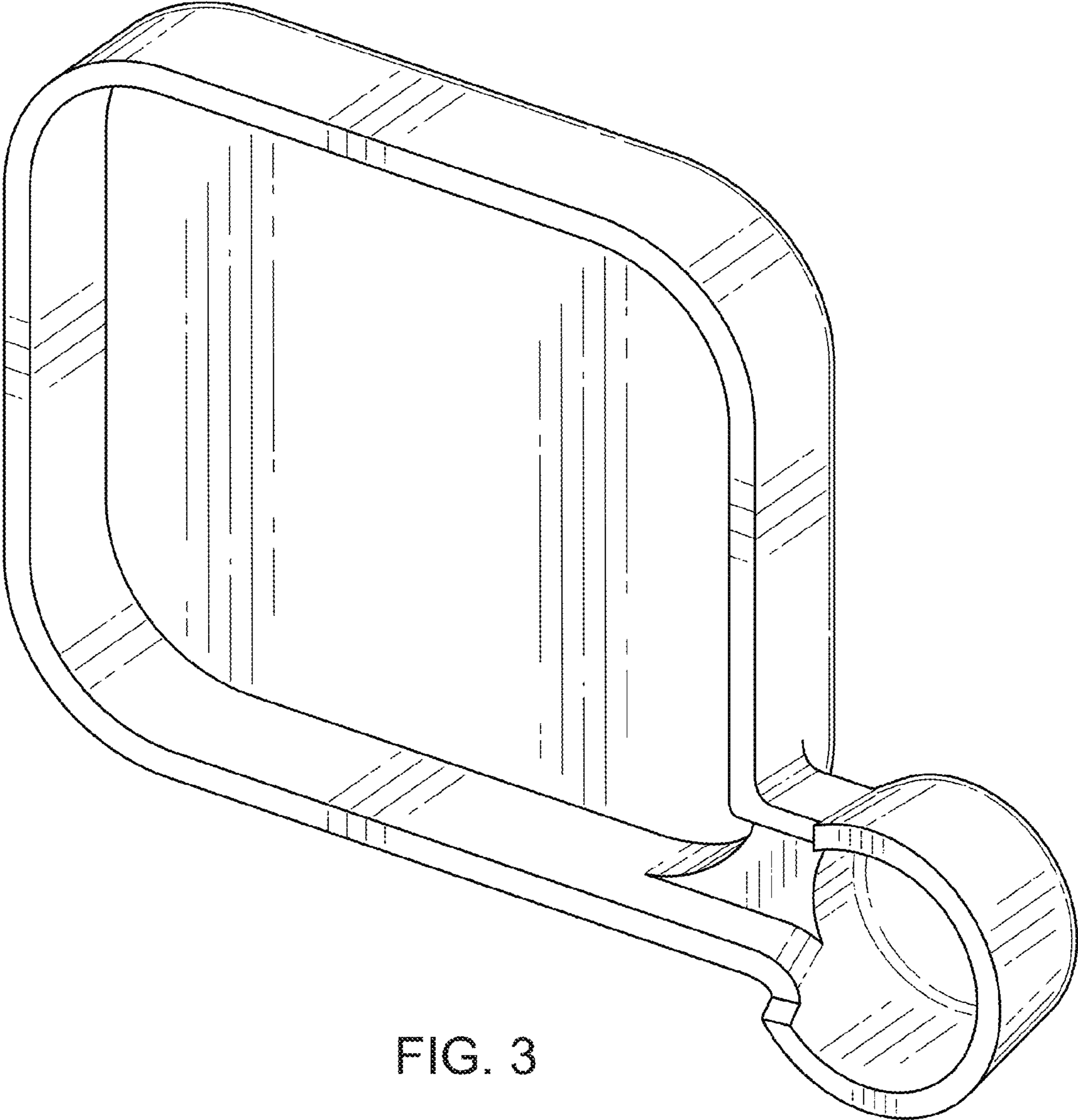


FIG. 3

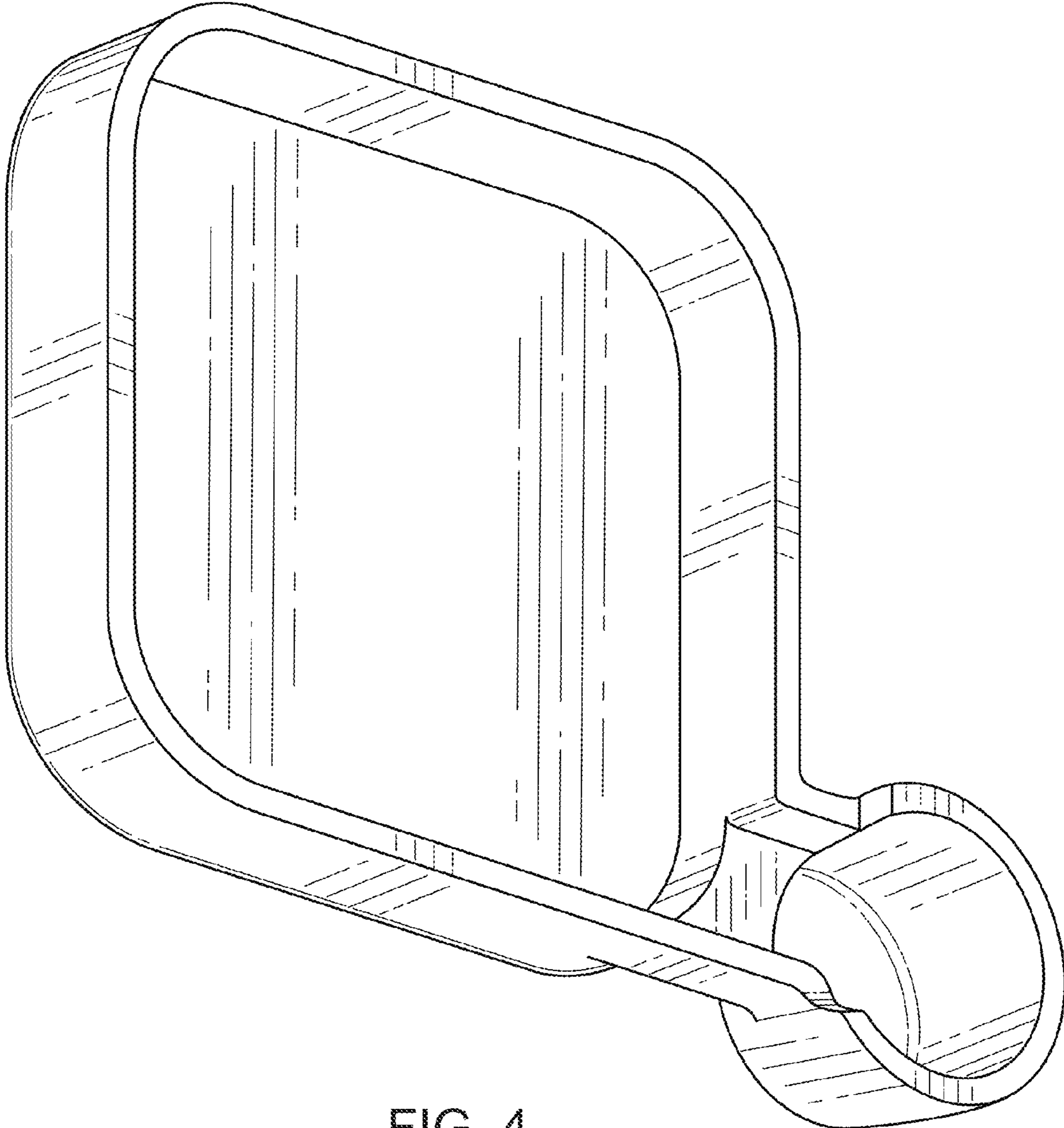


FIG. 4

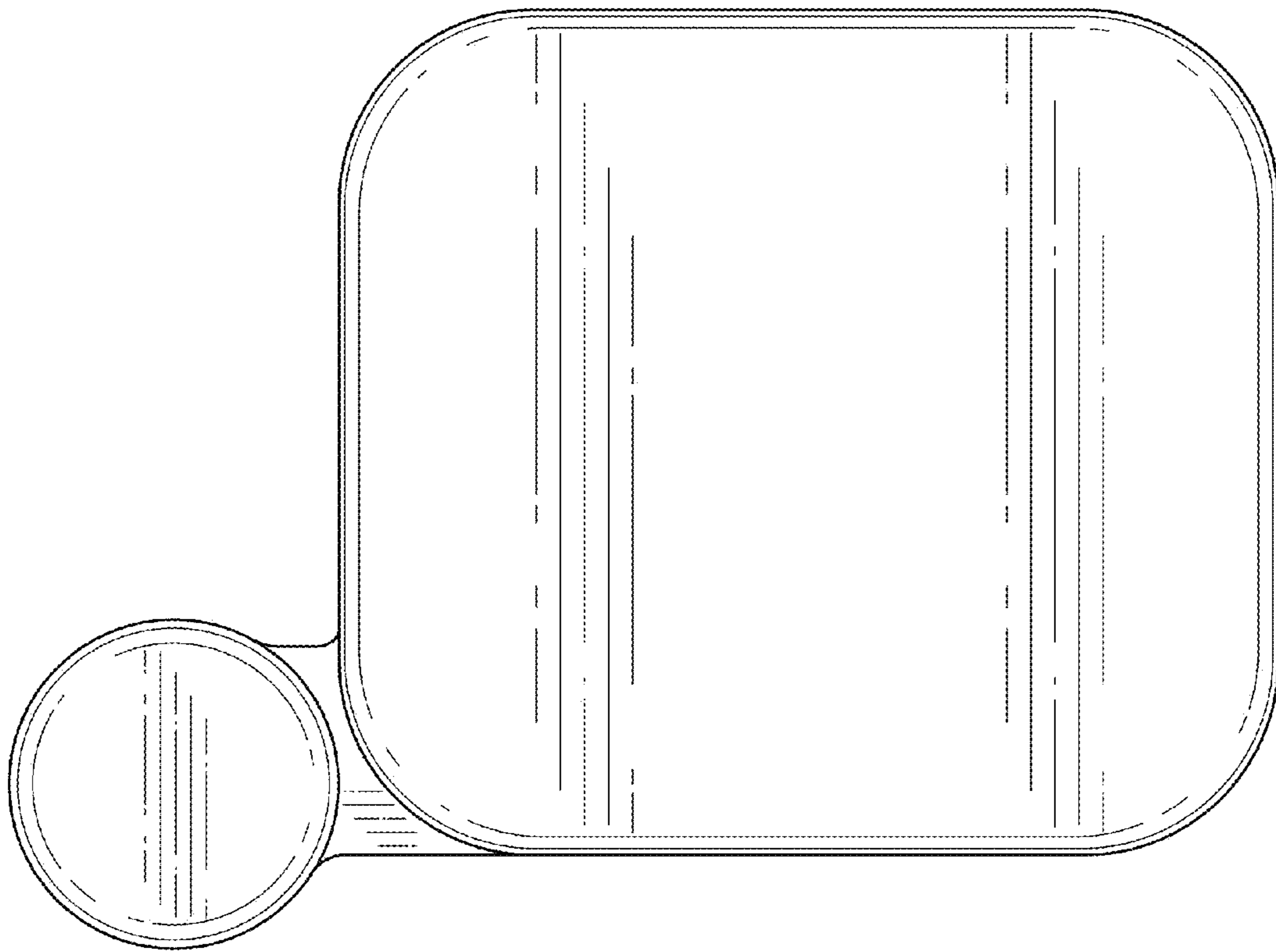


FIG. 5

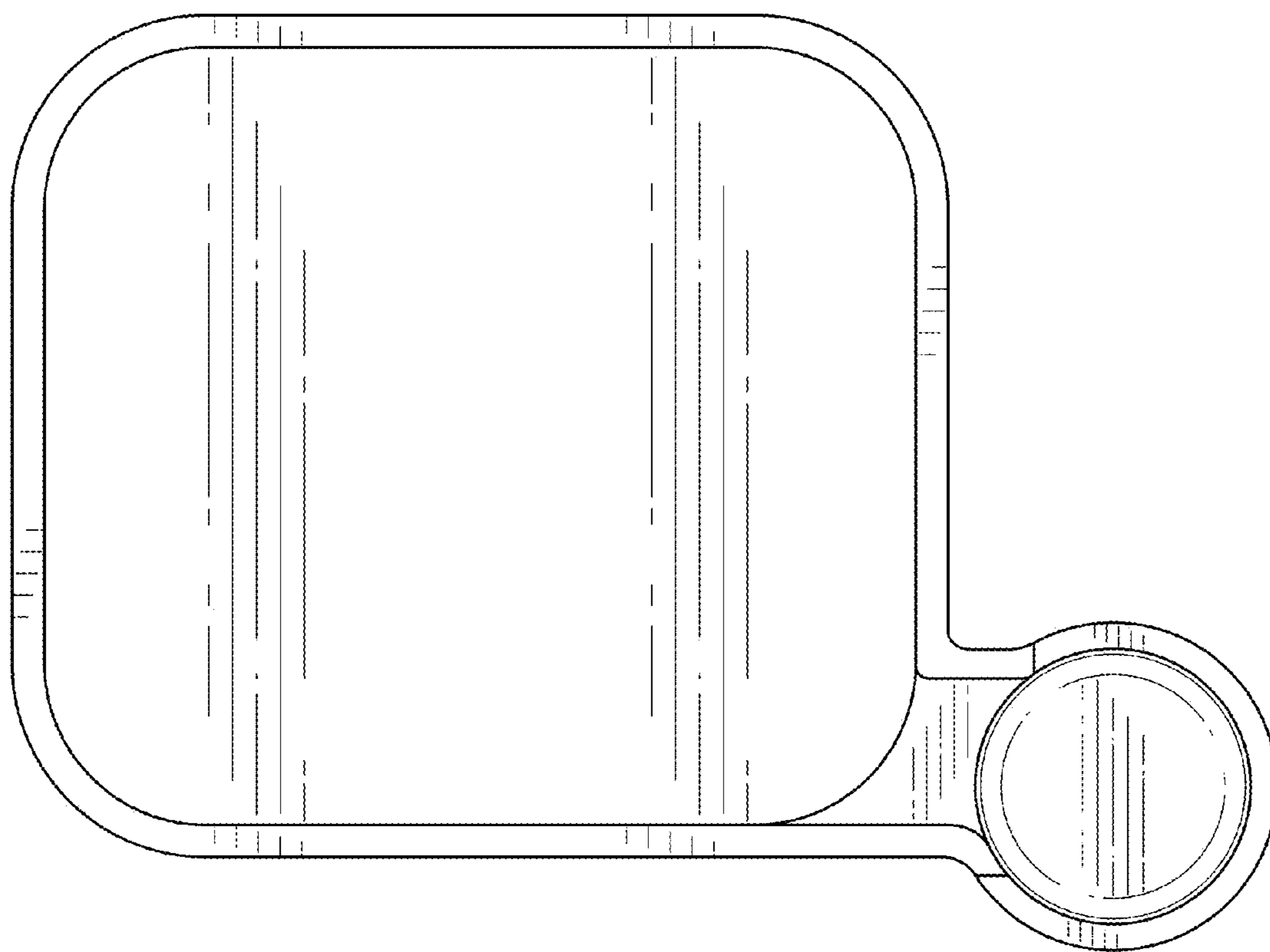


FIG. 6

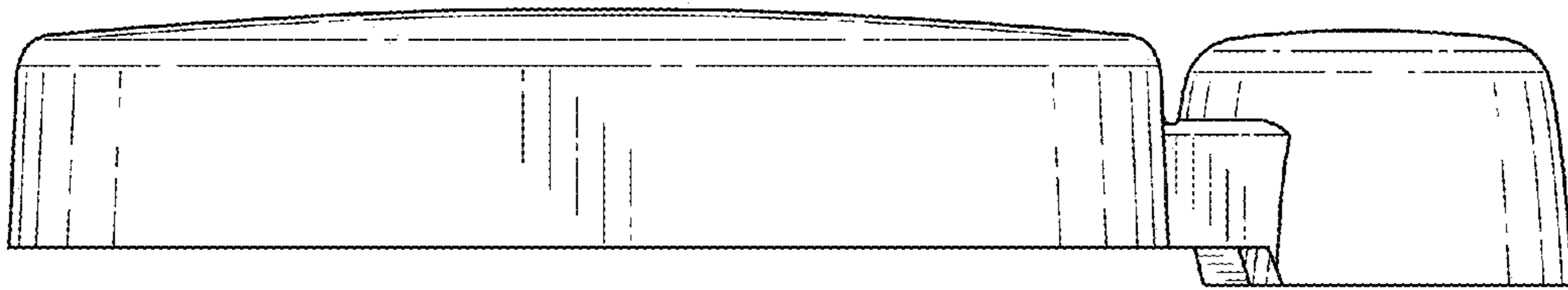


FIG. 7

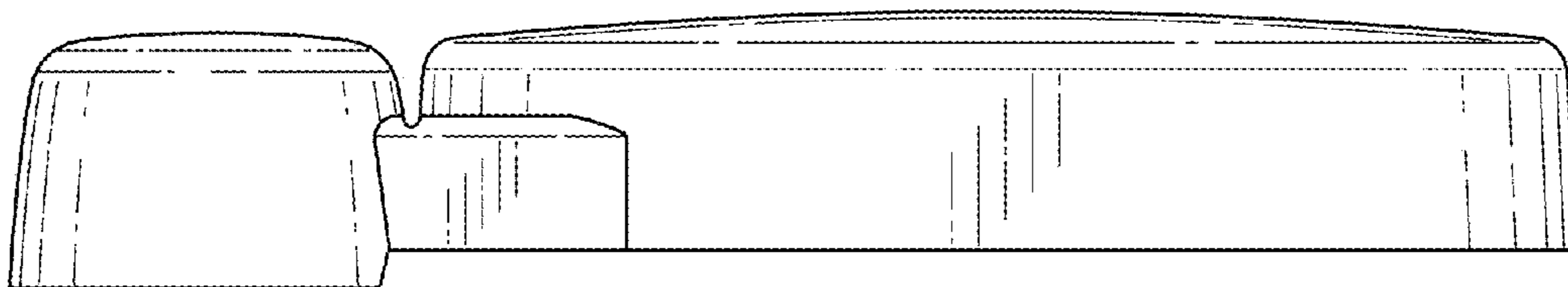


FIG. 8



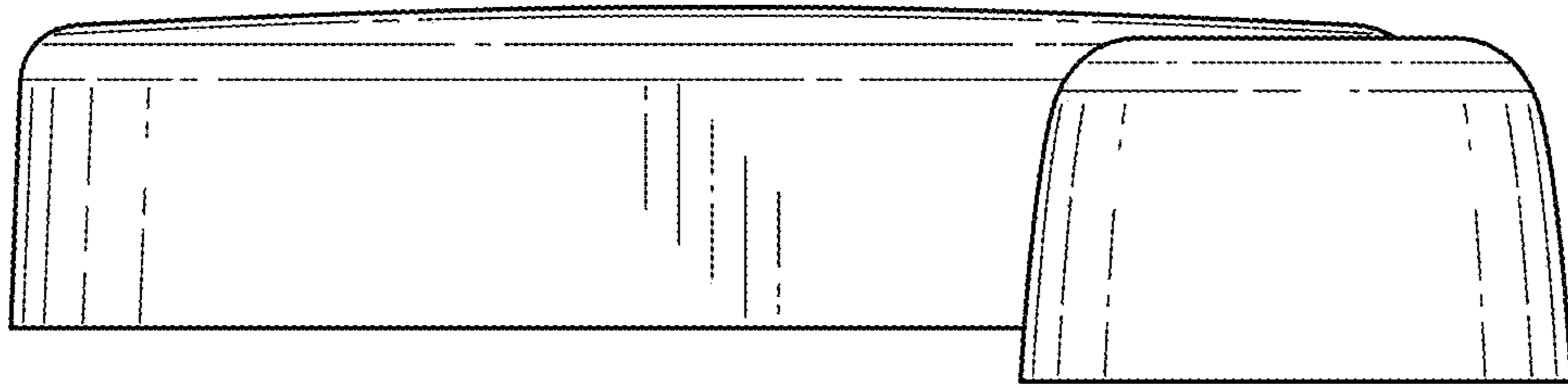


FIG. 9

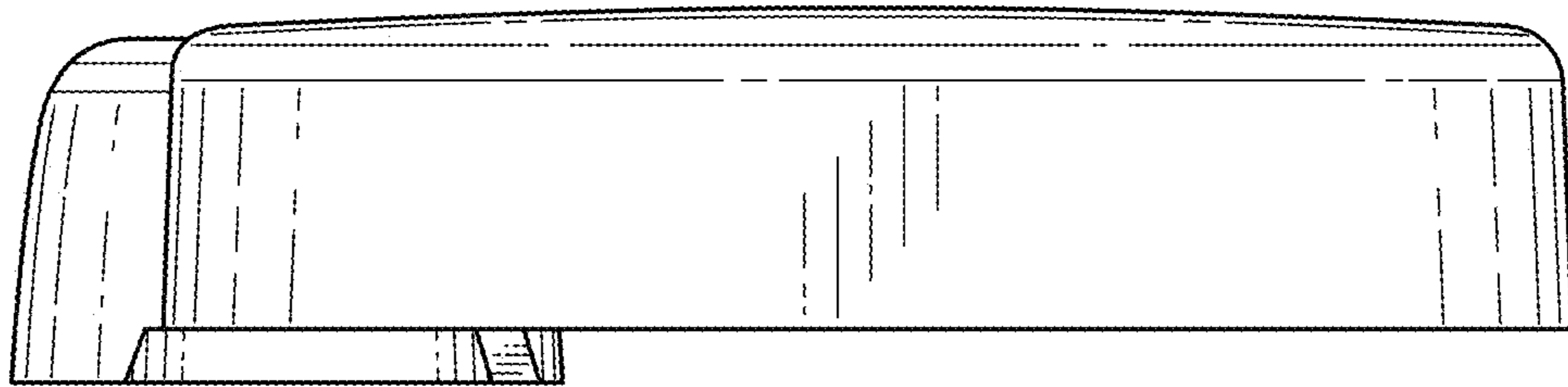


FIG. 10