



US00D702753S

(12) **United States Design Patent**
Kim

(10) **Patent No.:** **US D702,753 S**

(45) **Date of Patent:** **** *Apr. 15, 2014**

- (54) **PORTABLE BEAM PROJECTOR**
- (71) Applicant: **Wan-Sup Kim**, Seoul (KR)
- (72) Inventor: **Wan-Sup Kim**, Seoul (KR)
- (73) Assignee: **Samsung Electronics Co., Ltd.**,
Suwon-si (KR)
- (*) Notice: This patent is subject to a terminal disclaimer.
- (**) Term: **14 Years**
- (21) Appl. No.: **29/440,779**
- (22) Filed: **Dec. 27, 2012**
- (30) **Foreign Application Priority Data**
Jul. 6, 2012 (KR) 30-2012-0033096
- (51) **LOC (10) Cl.** **16-02**
- (52) **U.S. Cl.**
USPC **D16/225; D16/230**
- (58) **Field of Classification Search**
USPC D16/205, 208, 221, 225, 230-231, 234;
D21/514; 353/39, 115, 119, 122
See application file for complete search history.

- D480,409 S * 10/2003 Wang et al. D16/230
- D499,753 S * 12/2004 Shigemura et al. D16/230
- D520,045 S * 5/2006 Han et al. D16/230
- 7,070,285 B2 * 7/2006 Wu 353/97
- 7,152,980 B2 * 12/2006 Yang et al. 353/119
- D556,810 S * 12/2007 Miyauchi et al. D16/230
- D626,986 S * 11/2010 Chen D16/230
- D638,872 S * 5/2011 Kao D16/230
- D648,767 S * 11/2011 Cheng D16/225
- D648,769 S * 11/2011 Tzeng D16/230

* cited by examiner

Primary Examiner — Wan Laymon
(74) *Attorney, Agent, or Firm* — NSIP Law

(57) **CLAIM**
The ornamental design for a portable beam projector, as shown and described.

DESCRIPTION

FIG. 1 is a top perspective view of a portable beam projector; FIG. 2 is a front view of the portable beam projector of FIG. 1; FIG. 3 is a rear view of the portable beam projector of FIG. 1; FIG. 4 is a left-side view of the portable beam projector of FIG. 1; FIG. 5 is a right-side view of the portable beam projector of FIG. 1; FIG. 6 is a top plan view of the portable beam projector of FIG. 1; and, FIG. 7 is a bottom plan view of the portable beam projector of FIG. 1. Features shown in broken lines in FIGS. 4 and 7, form no part of the claimed design.

1 Claim, 5 Drawing Sheets

- (56) **References Cited**
U.S. PATENT DOCUMENTS
D391,940 S * 3/1998 Sakata D16/213
D428,619 S * 7/2000 Saeki et al. D16/230

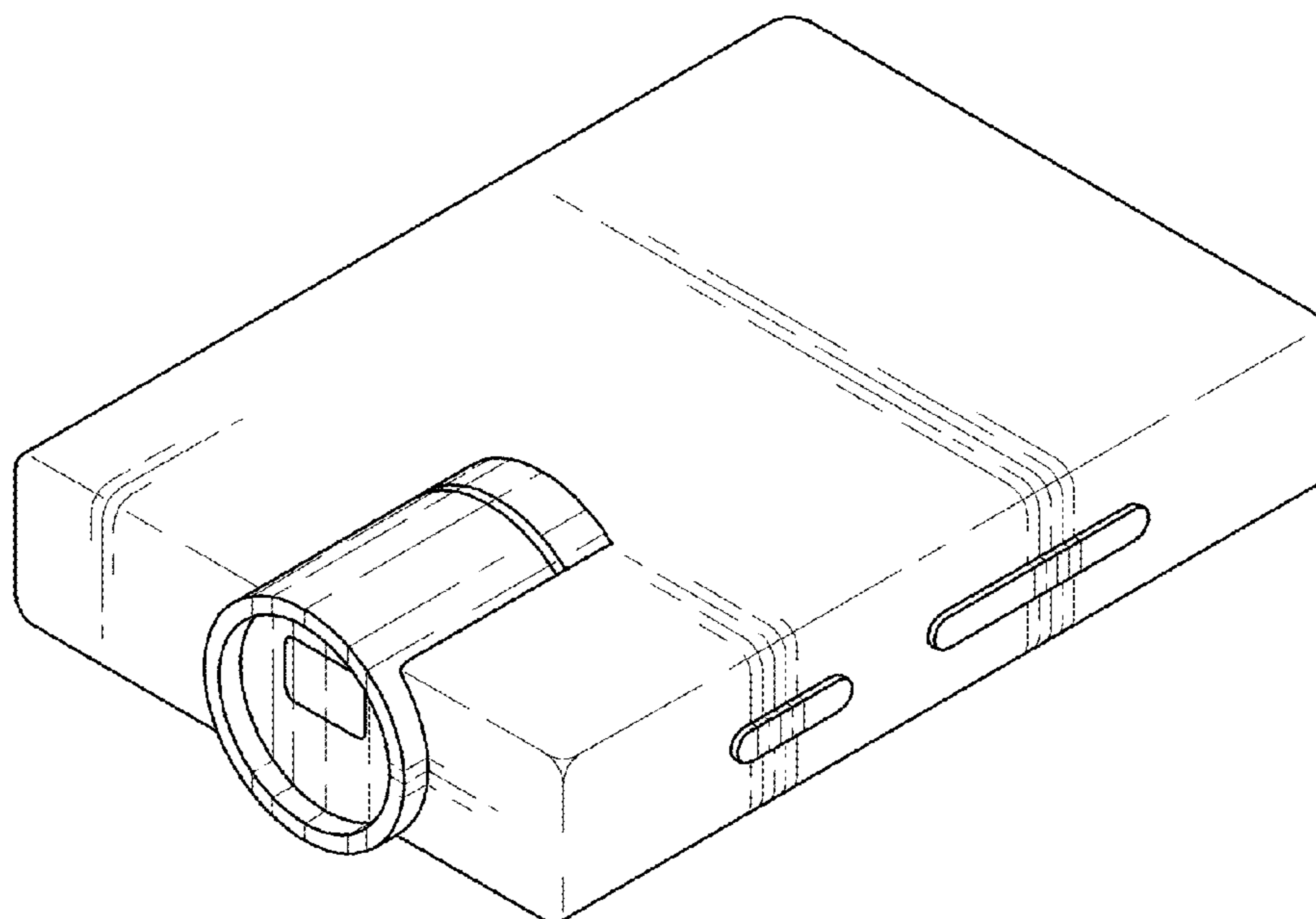


FIG. 1

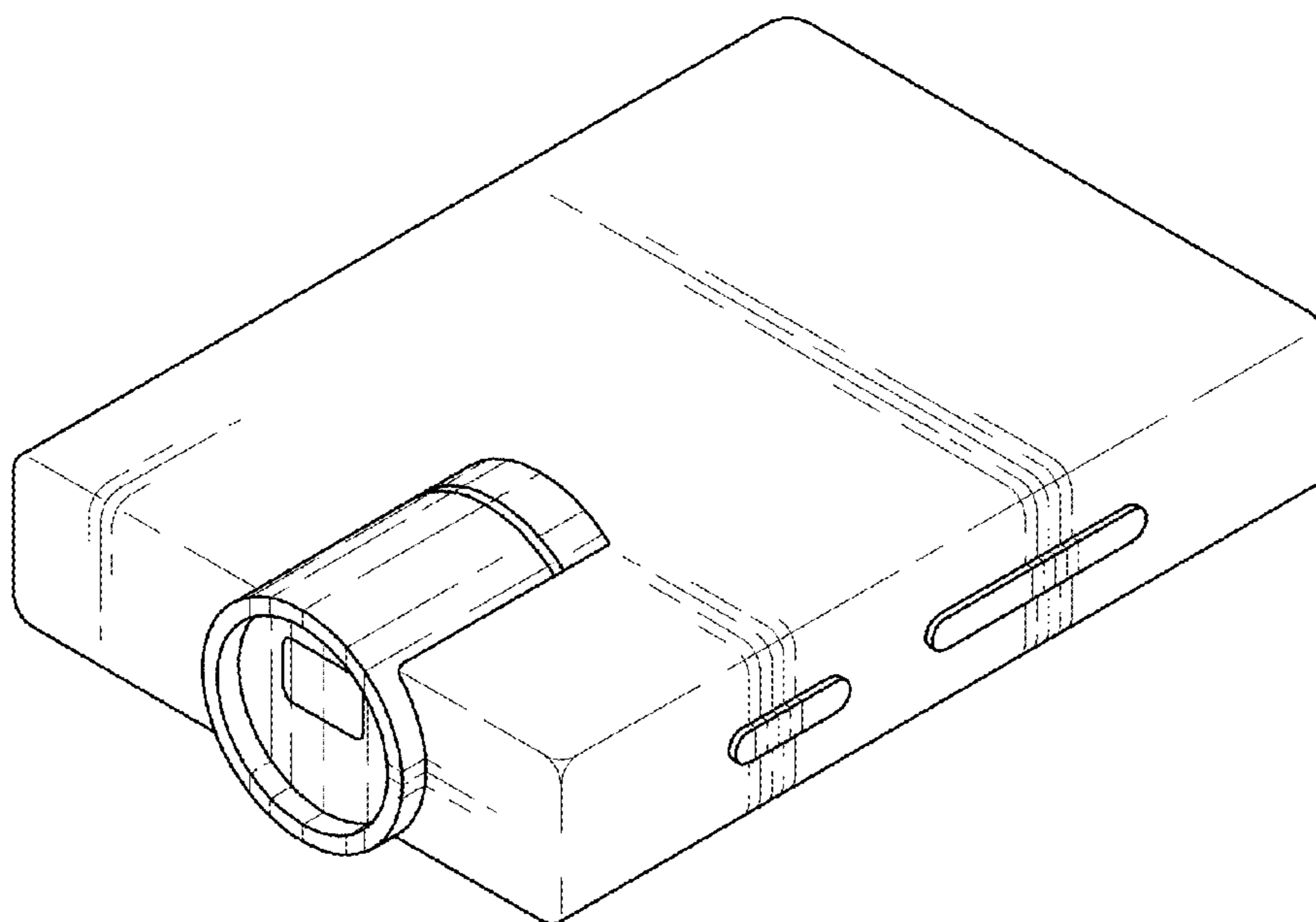


FIG. 2

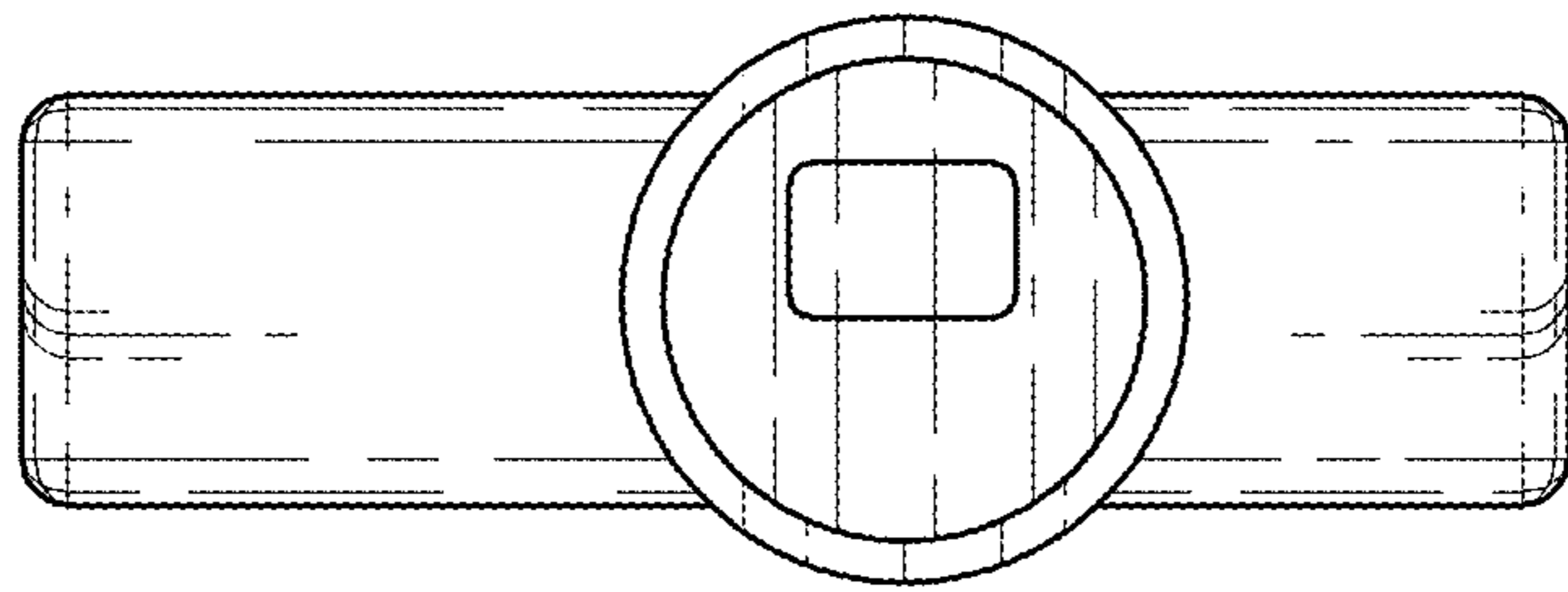


FIG. 3

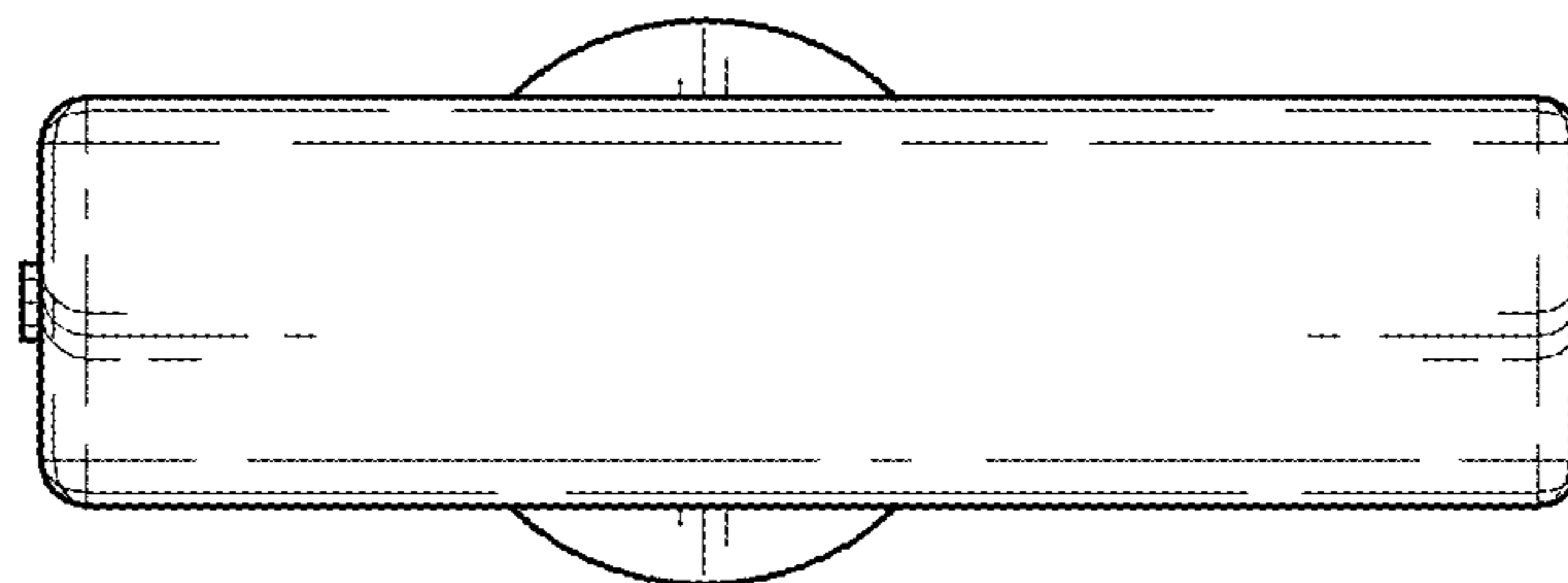


FIG. 4

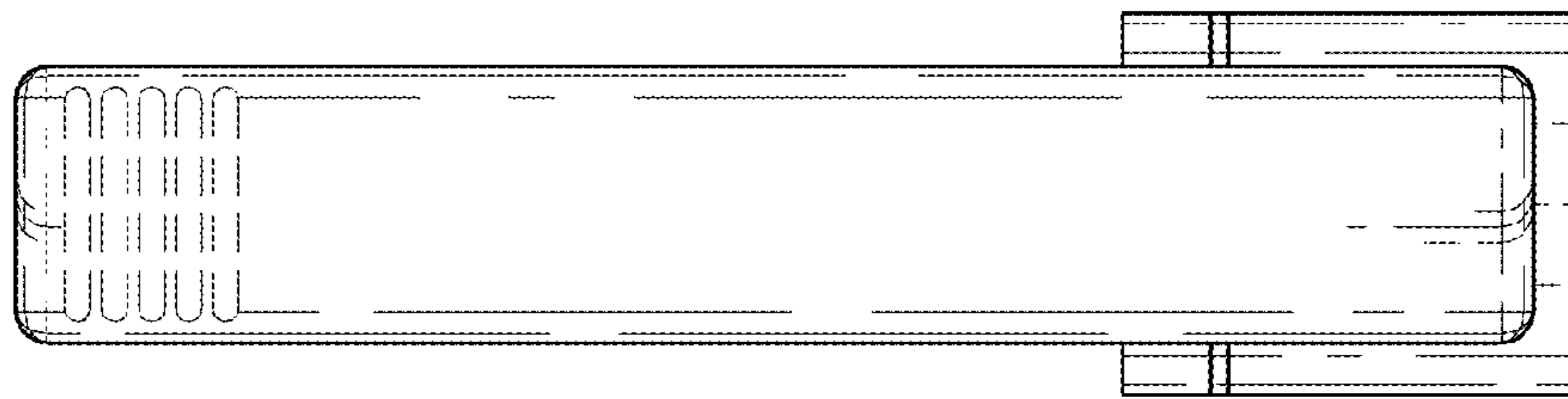


FIG. 5

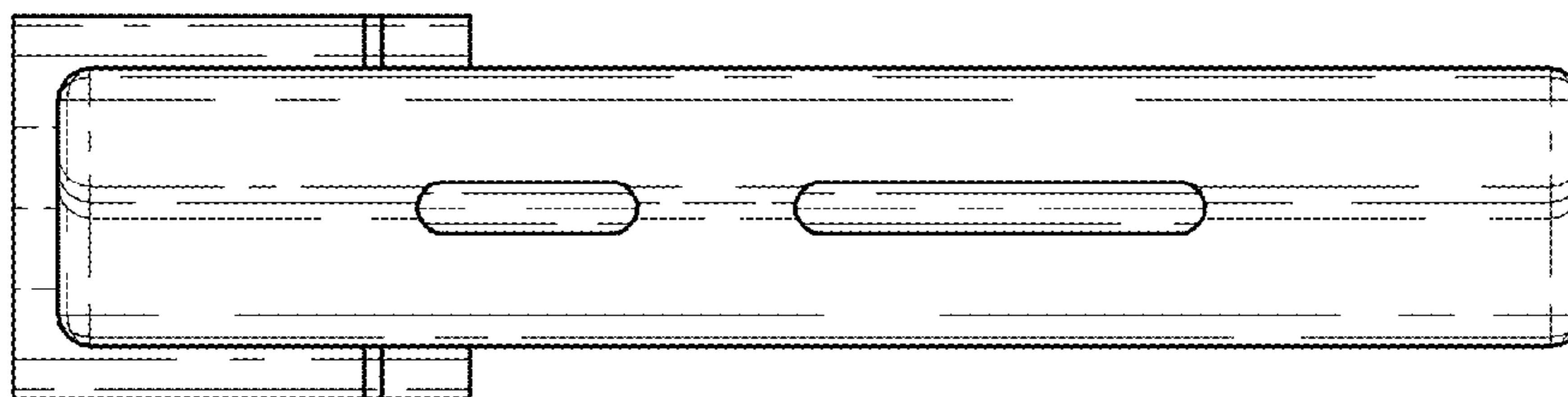


FIG. 6

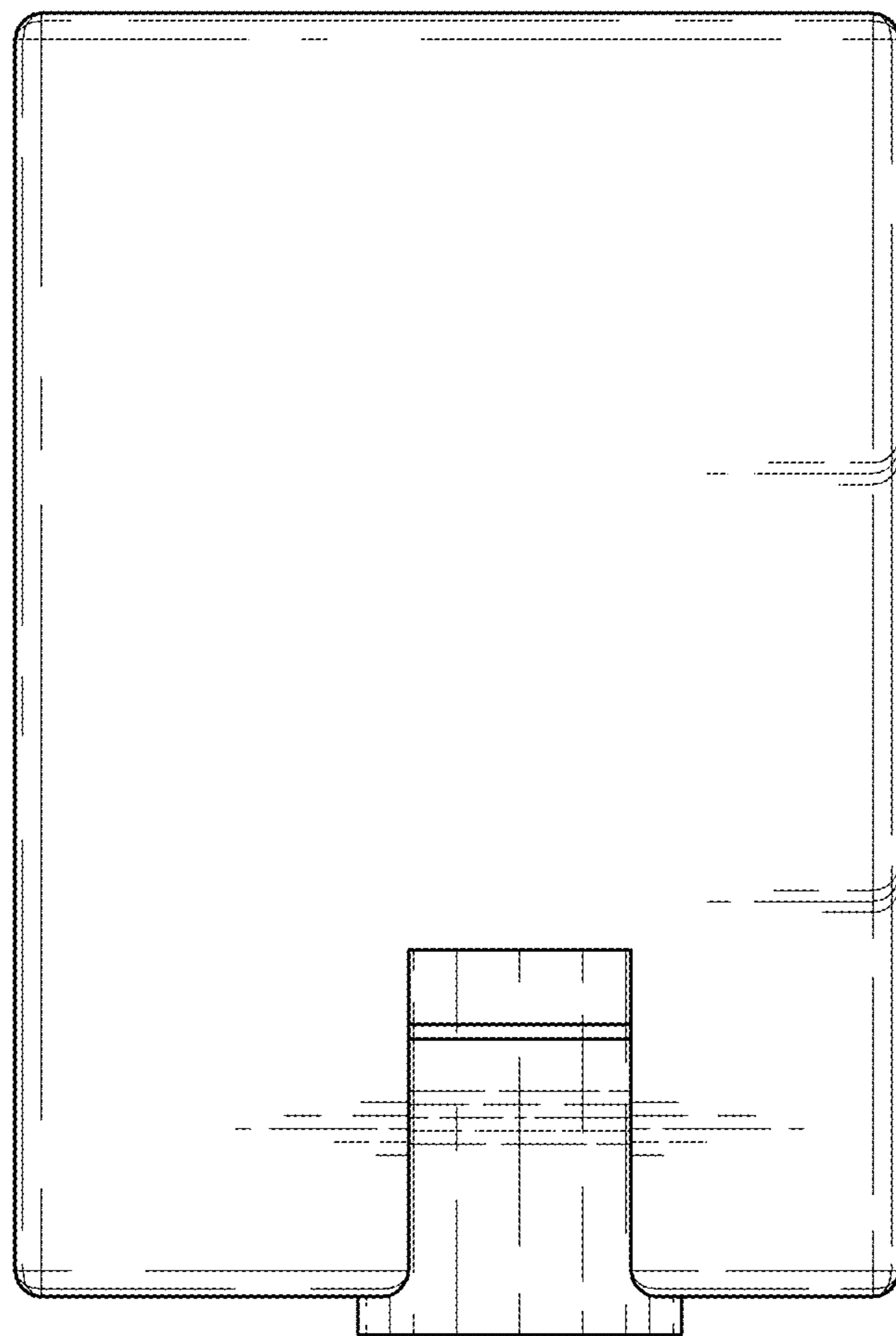


FIG. 7

