



US00D702750S

(12) **United States Design Patent**  
**Yoon**

(10) **Patent No.:** **US D702,750 S**  
(45) **Date of Patent:** **\*\* Apr. 15, 2014**

(54) **INTERCHANGEABLE LENS FOR CAMERA**

D573,625 S \* 7/2008 Watanabe ..... D16/219  
D574,026 S \* 7/2008 Haga ..... D16/219  
D684,207 S \* 6/2013 Kim ..... D16/219

(75) Inventor: **Soo-Won Yoon**, Changwon-si (KR)

\* cited by examiner

(73) Assignee: **Samyang Optics Co., Ltd.**,  
Gyeongsangnam-Do (KR)

*Primary Examiner* — Adir Aronovich

(\*\*) Term: **14 Years**

(74) *Attorney, Agent, or Firm* — Nath, Goldberg & Meyer;  
Jerald L. Meyer

(21) Appl. No.: **29/419,995**

(22) Filed: **May 3, 2012**

(57) **CLAIM**

The ornamental design for an interchangeable lens for camera, as shown and described.

(30) **Foreign Application Priority Data**

Feb. 24, 2012 (KR) ..... 30-2012-0008686

(51) **LOC (10) Cl.** ..... **16-05**

(52) **U.S. Cl.**  
USPC ..... **D16/219**

(58) **Field of Classification Search**  
USPC ..... D16/134, 136, 200, 202, 218, 219;  
348/373, 374; 359/826–828;  
396/529–535, 540, 541  
See application file for complete search history.

(56) **References Cited**

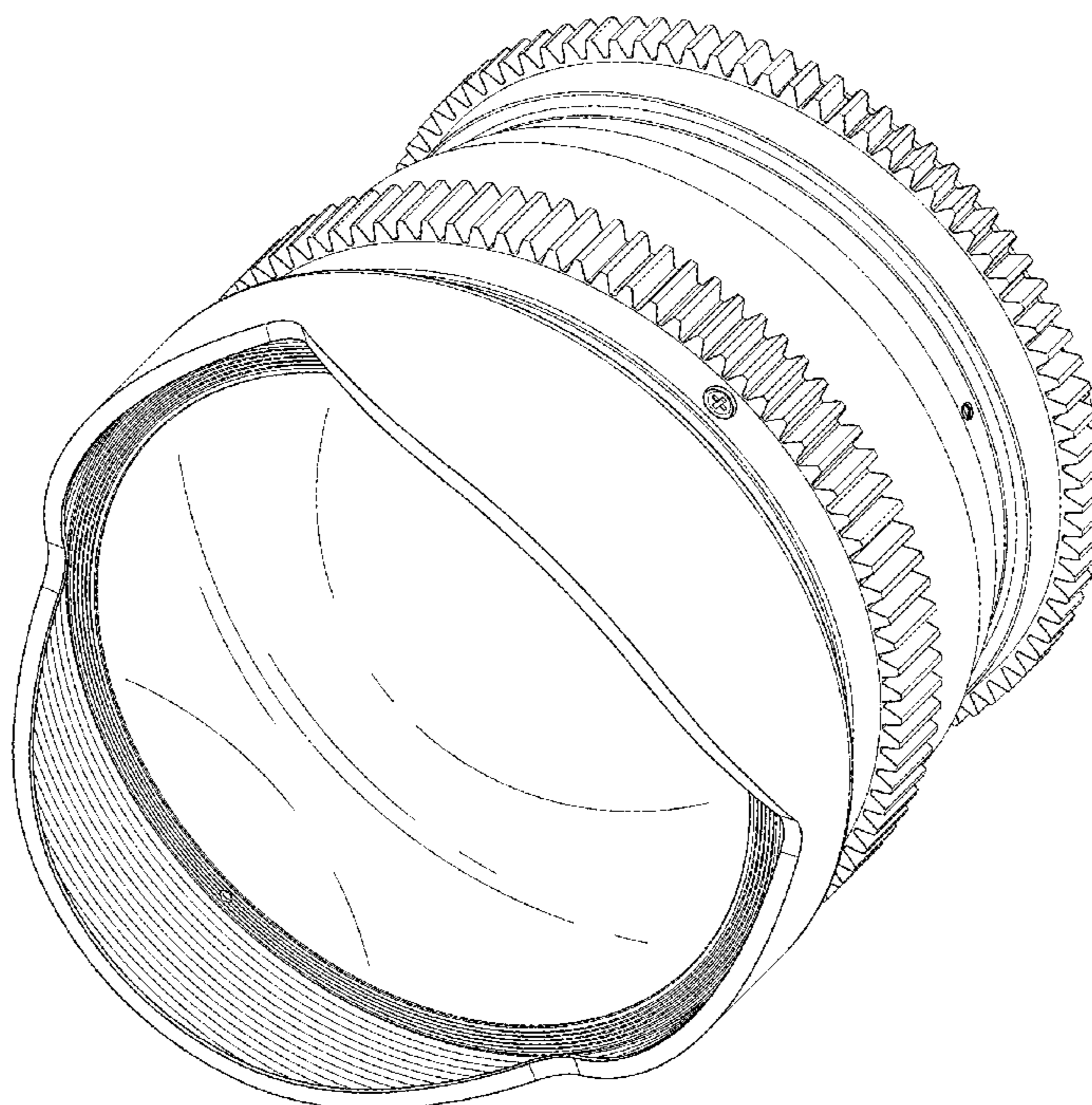
**U.S. PATENT DOCUMENTS**

4,381,892 A \* 5/1983 Someya ..... 396/534  
D416,926 S \* 11/1999 Watanabe ..... D16/134  
D417,681 S \* 12/1999 Hayashi ..... D16/219  
D433,044 S \* 10/2000 Nagaoka et al. .... D16/219  
6,269,227 B1 \* 7/2001 Hamasaki et al. .... 396/534  
D446,232 S \* 8/2001 Watanabe ..... D16/219  
7,104,658 B2 \* 9/2006 Fischbach et al. .... 396/534

**DESCRIPTION**

FIG. 1 is a perspective view of an interchangeable lens for camera showing my new design;  
FIG. 2 is a front elevational view thereof;  
FIG. 3 is a rear elevational view thereof;  
FIG. 4 is a left side elevational view thereof;  
FIG. 5 is a right side elevational view thereof;  
FIG. 6 is a top plan view thereof;  
FIG. 7 is a bottom plan view thereof;  
FIG. 8 is an enlarged detail view of the portion of the claimed design circumscribed in broken lines; and,  
FIG. 9 is an enlarged detail view of the portion of the claimed design circumscribed in broken lines.  
The portions of the interchangeable lens for camera in broken lines are shown for illustrative purposes only and form no part of the claimed design.

**1 Claim, 9 Drawing Sheets**



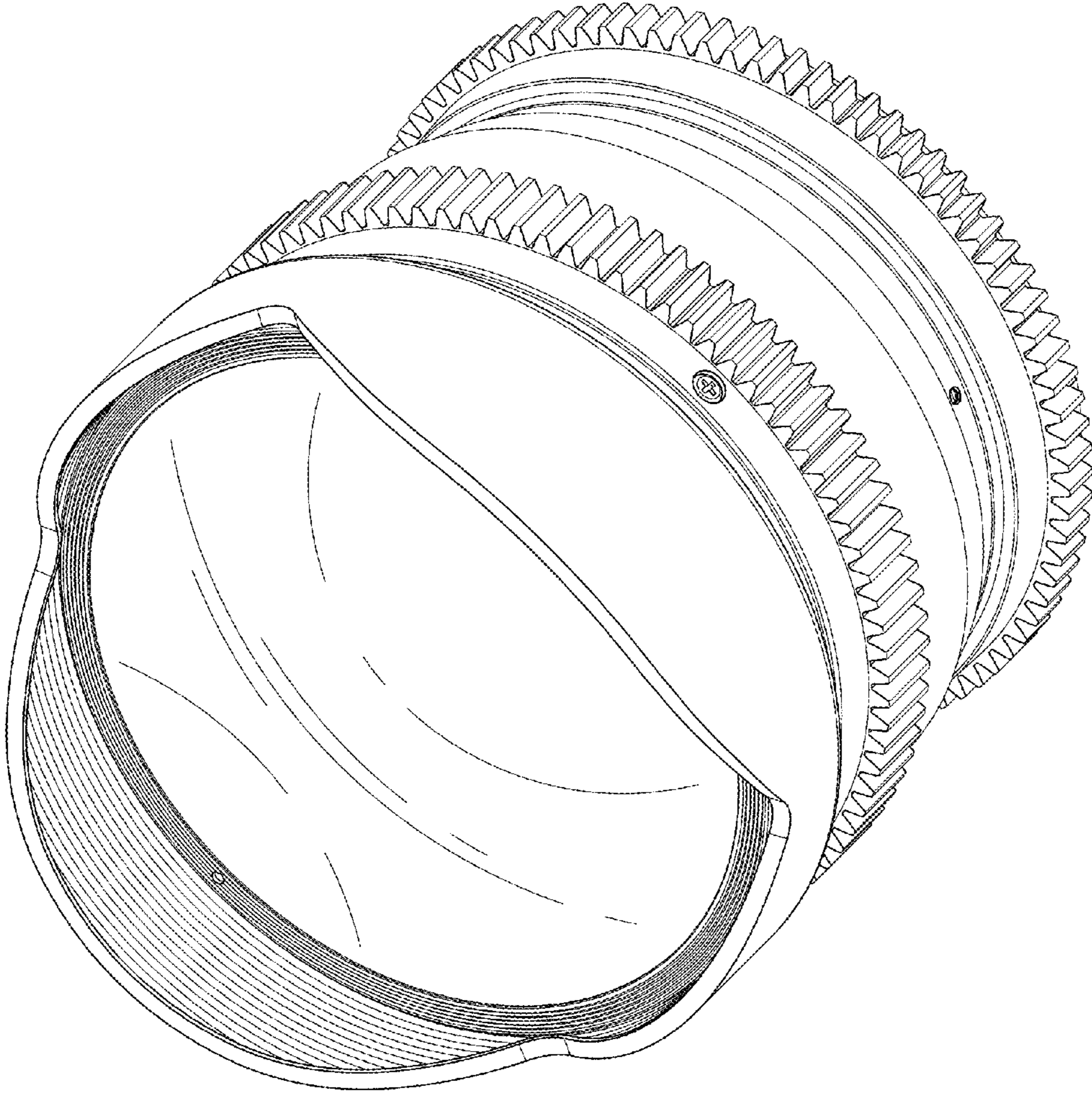


FIG. 1

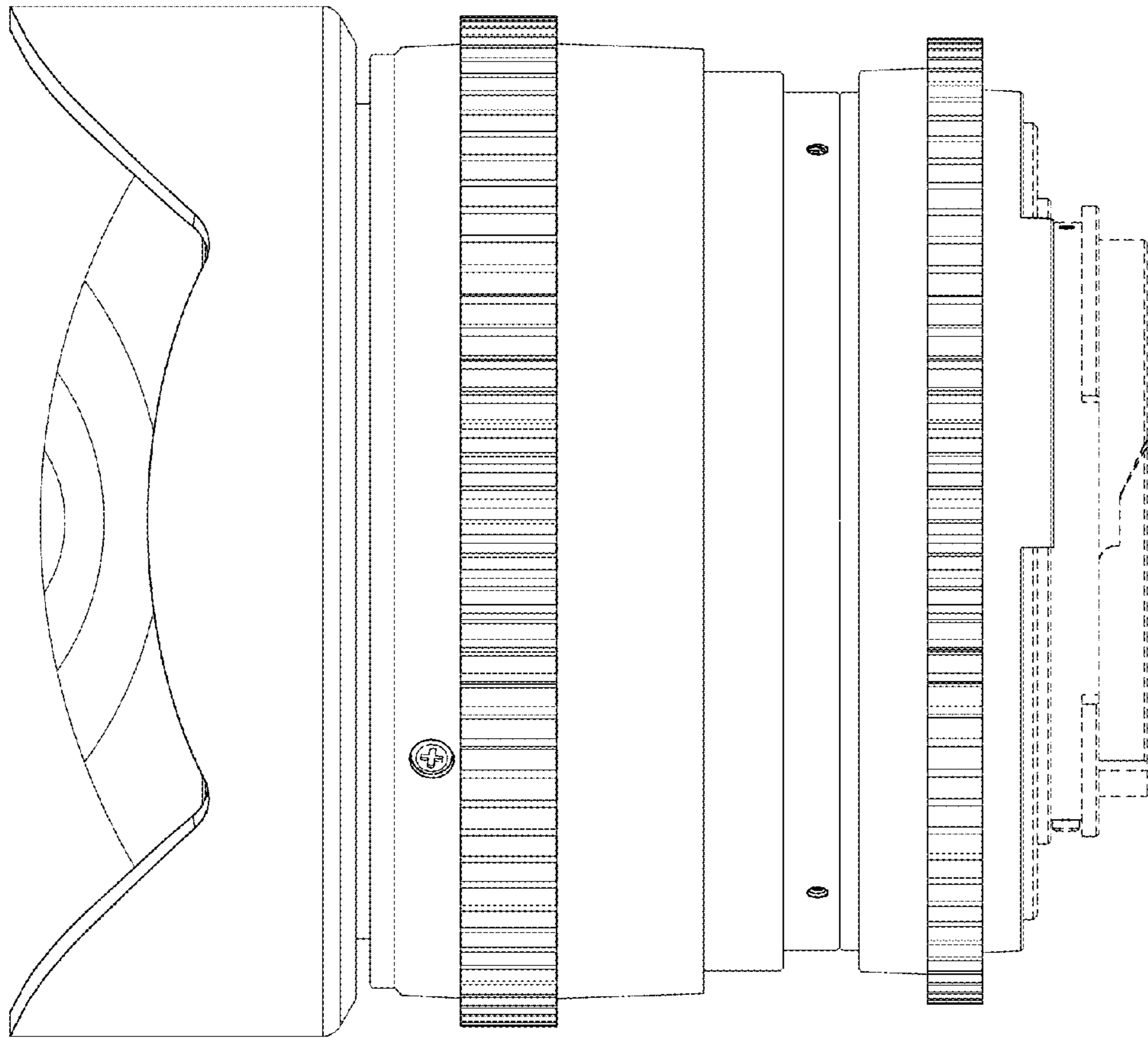


FIG. 2

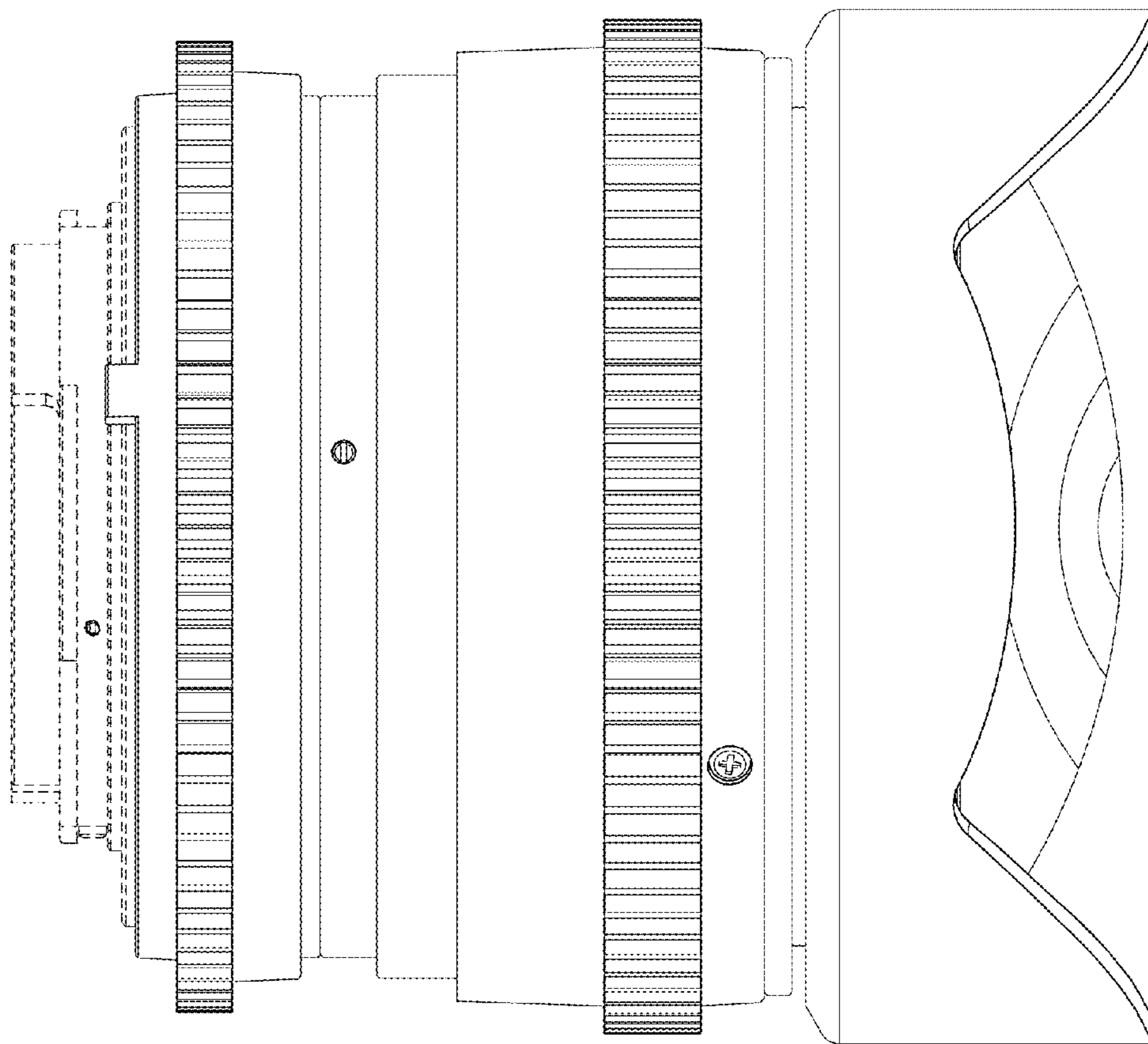


FIG. 3

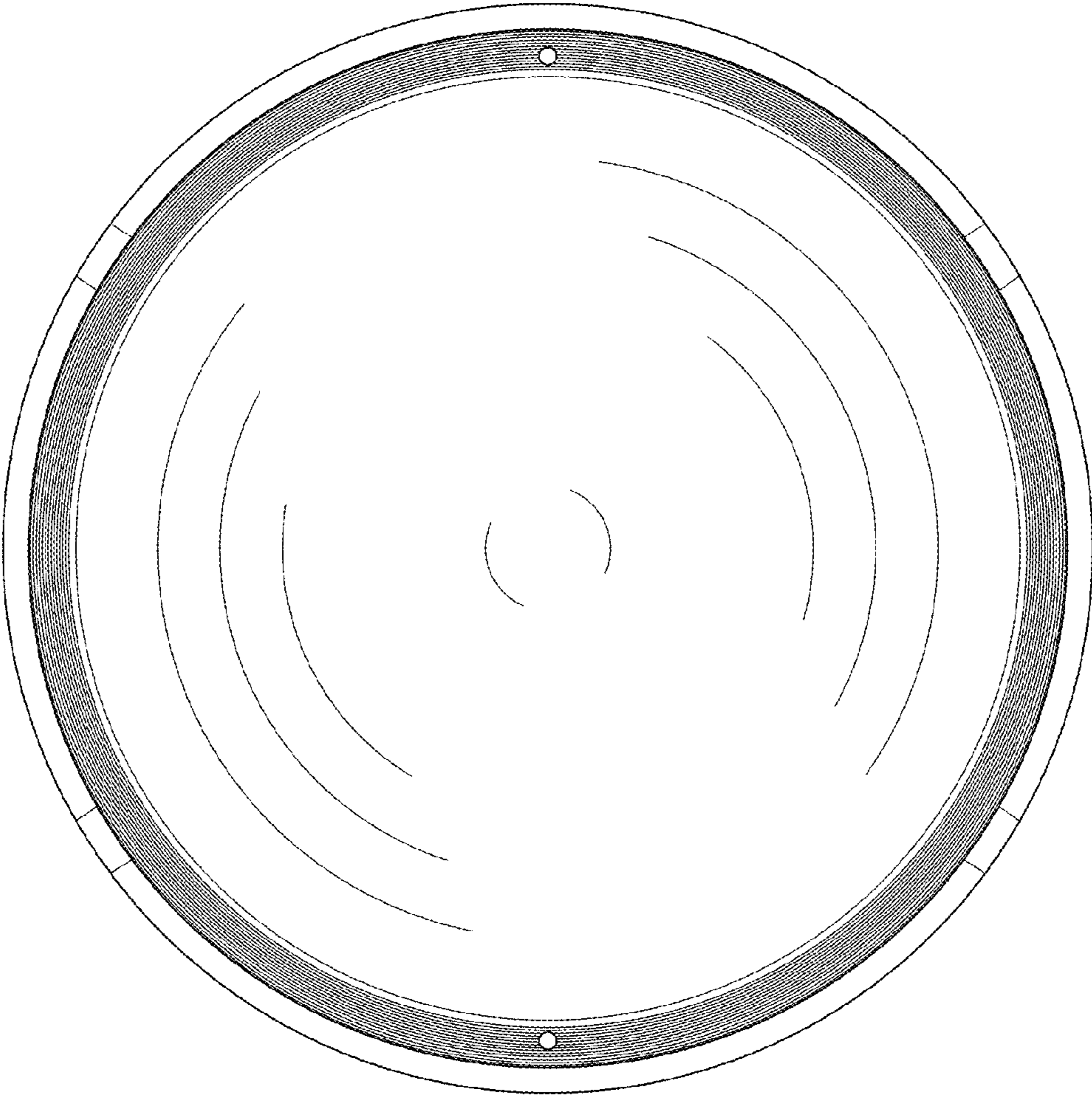


FIG. 4

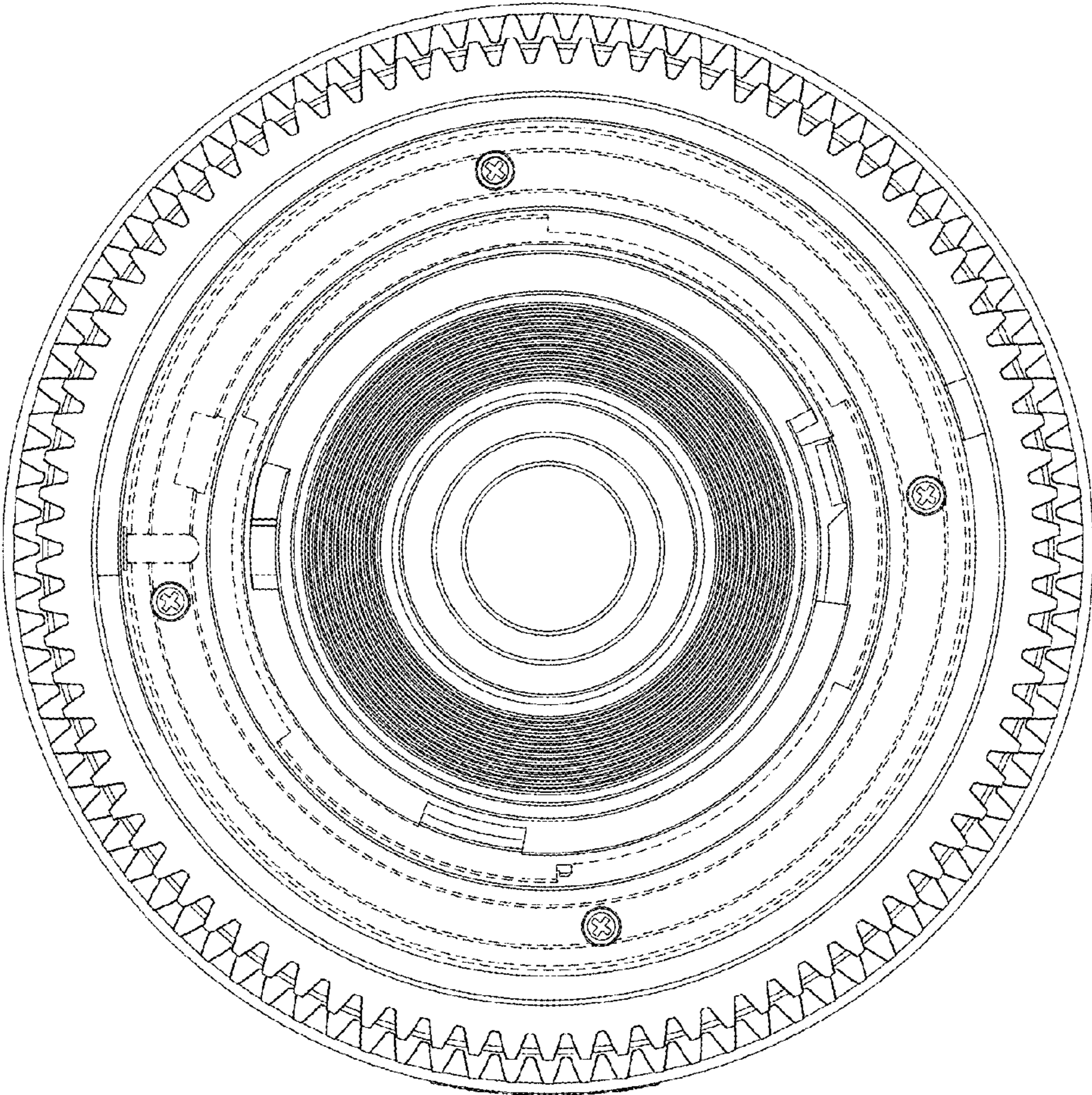


FIG. 5

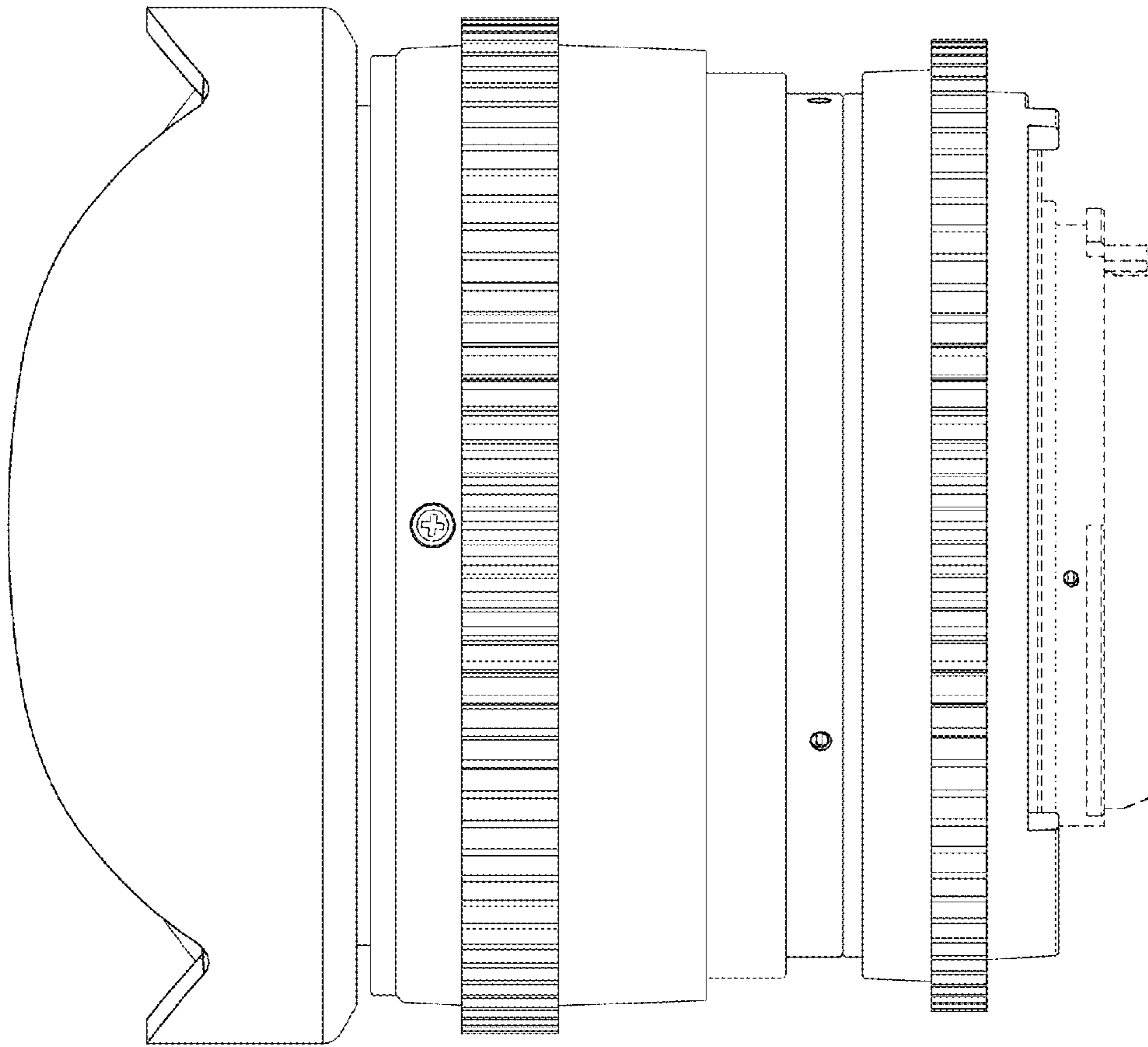


FIG. 6

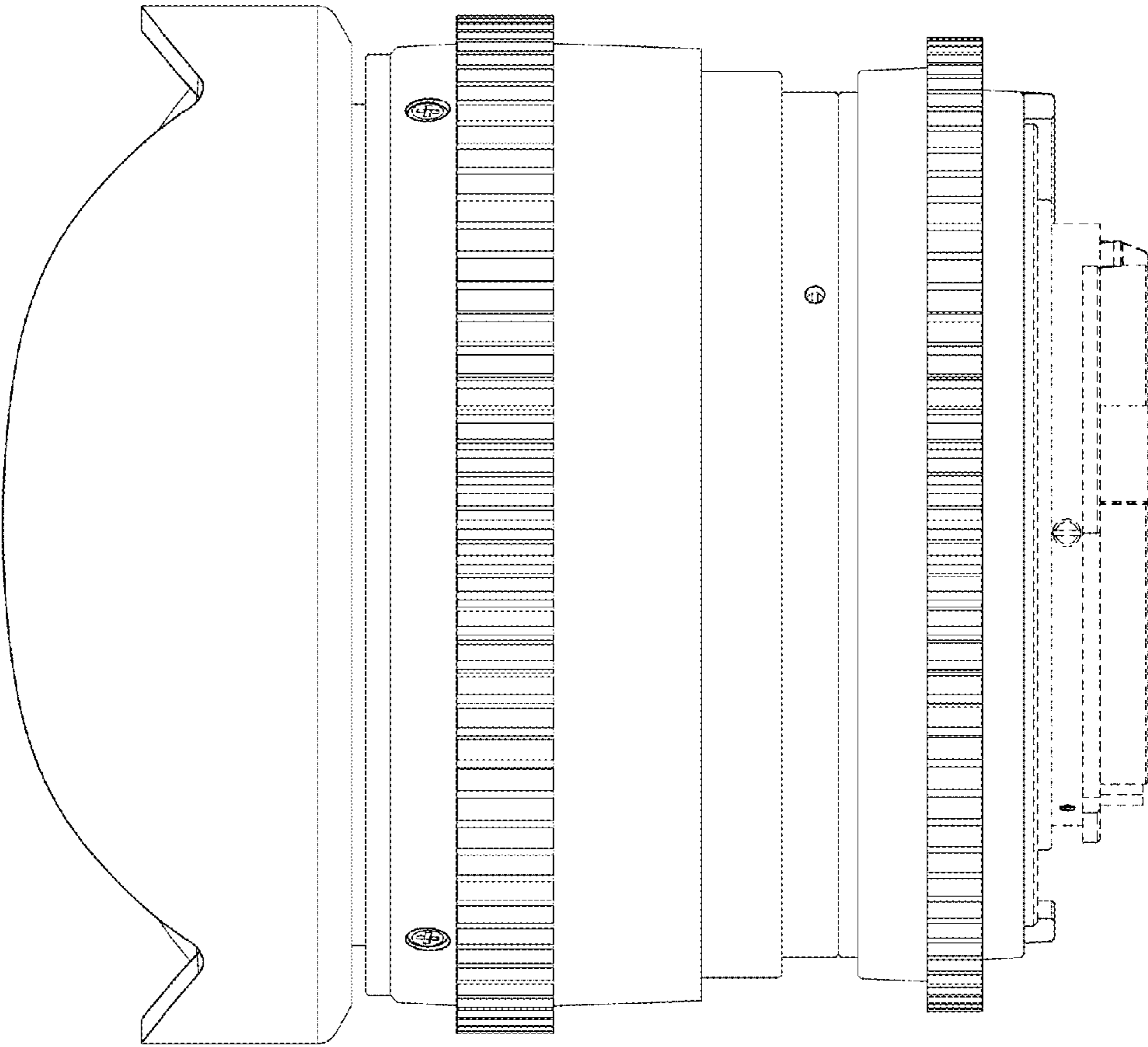


FIG. 7



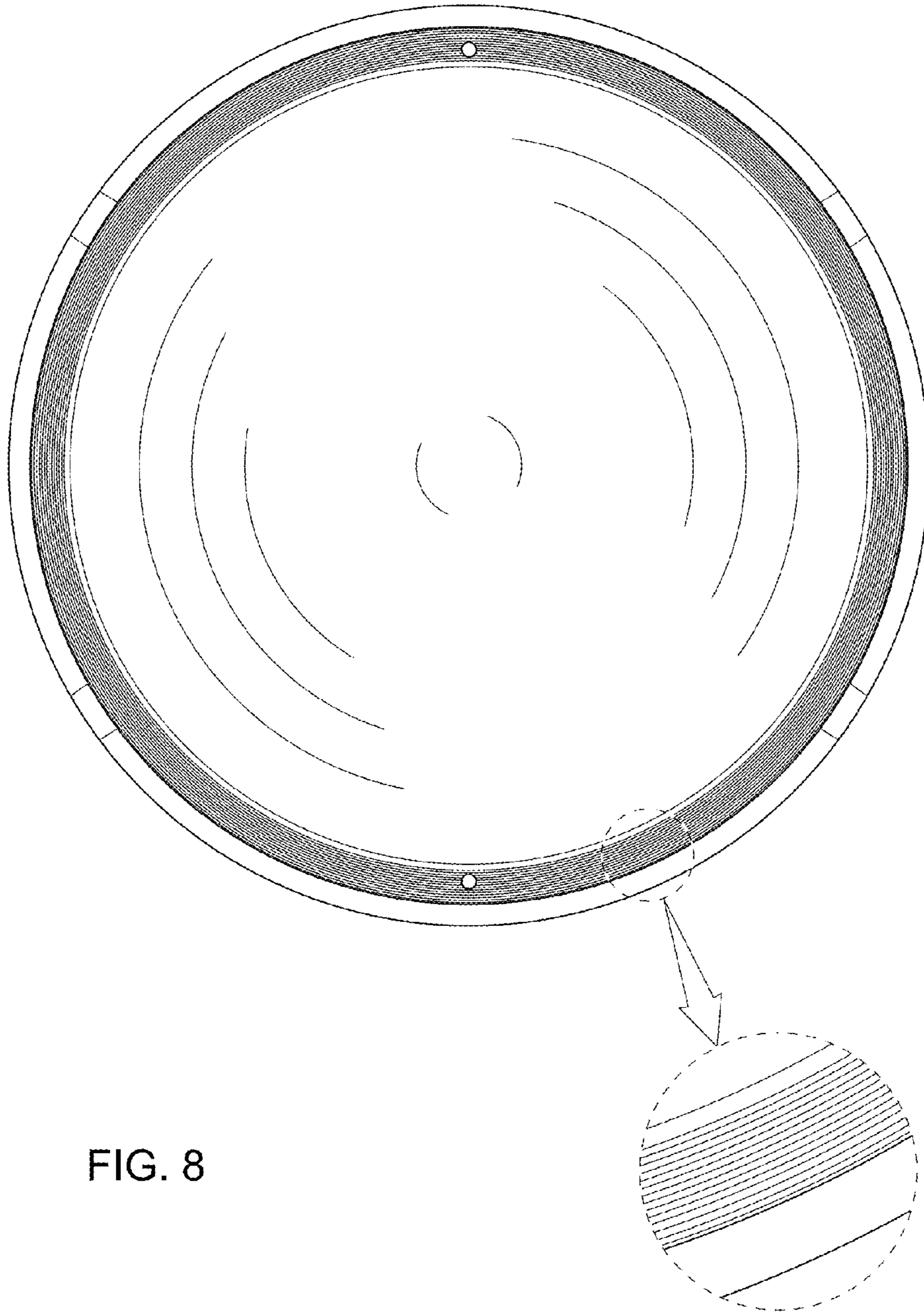


FIG. 8

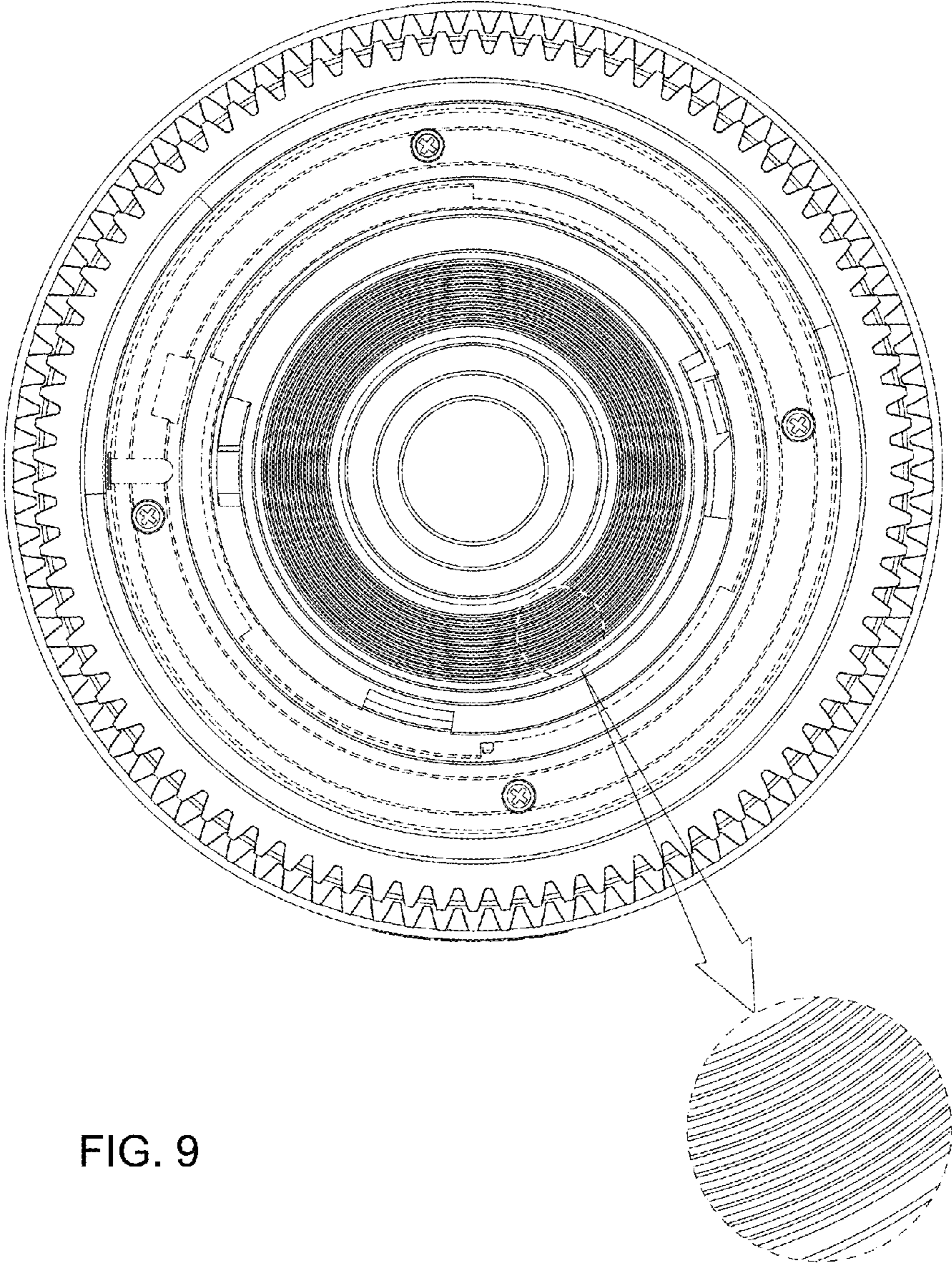


FIG. 9