



US00D702749S

(12) **United States Design Patent**
Kim

(10) **Patent No.:** **US D702,749 S**
(45) **Date of Patent:** **** Apr. 15, 2014**

(54) **INTERCHANGEABLE LENS FOR CAMERA**
(75) **Inventor:** **Eun-Jin Kim**, Gyeongsangnam-do (KR)
(73) **Assignee:** **Samyang Optics Co., Ltd.**,
Gyeongsangnam-Do (KR)

D446,232 S * 8/2001 Watanabe D16/219
7,104,658 B2 * 9/2006 Fischbach et al. 396/534
D573,625 S * 7/2008 Watanabe D16/219
D574,026 S * 7/2008 Haga D16/219
D684,207 S * 6/2013 Kim D16/219

(**) **Term:** **14 Years**
(21) **Appl. No.:** **29/419,288**
(22) **Filed:** **Apr. 26, 2012**

FOREIGN PATENT DOCUMENTS

KR 30-0667371 A 11/2012

* cited by examiner

Primary Examiner — Adir Aronovich
(74) *Attorney, Agent, or Firm* — Nath, Goldberg & Meyer;
Jerald L. Meyer

(30) **Foreign Application Priority Data**
Jan. 16, 2012 (KR) 30-2012-0002172
(51) **LOC (10) Cl.** **16-05**
(52) **U.S. Cl.**
USPC **D16/219**
(58) **Field of Classification Search**
USPC D16/134, 136, 200, 202, 218, 219;
348/373, 374; 359/826–828;
396/529–535, 540, 541
See application file for complete search history.

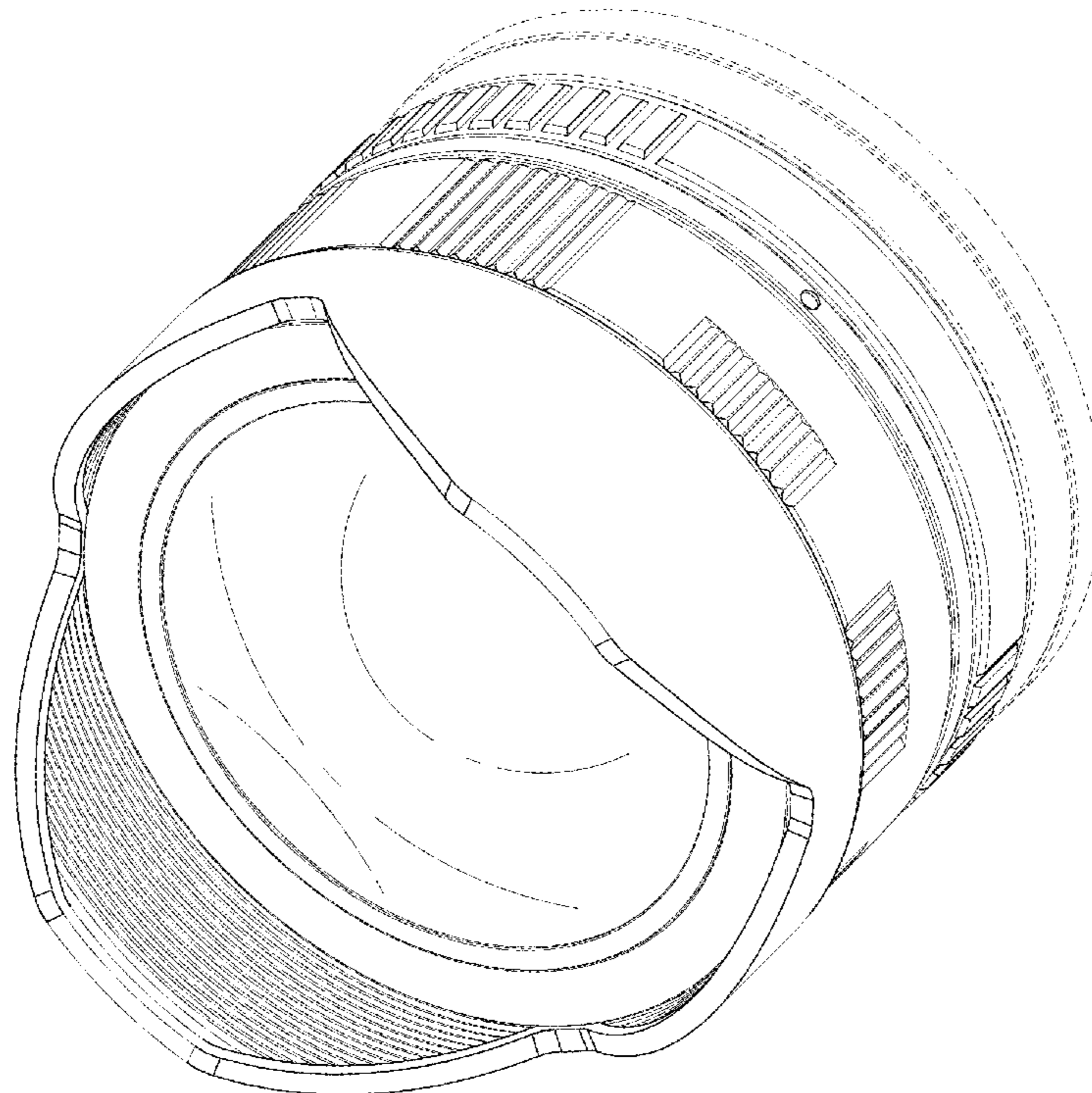
(57) **CLAIM**
The ornamental design for an interchangeable lens for camera, as shown and described.

DESCRIPTION

FIG. 1 is a perspective view of an interchangeable lens for camera showing my new design;
FIG. 2 is a front elevational view thereof;
FIG. 3 is a rear elevational view thereof;
FIG. 4 is a left side elevational view thereof;
FIG. 5 is a right side elevational view thereof;
FIG. 6 is a top plan view thereof; and,
FIG. 7 is a bottom plan view thereof.
The portions of the interchangeable lens for camera in broken lines are shown for illustrative purposes only and form no part of the claimed design.

(56) **References Cited**
U.S. PATENT DOCUMENTS
4,381,892 A * 5/1983 Someya 396/534
D416,926 S * 11/1999 Watanabe D16/134
D417,681 S * 12/1999 Hayashi D16/219
6,104,887 A * 8/2000 Hamasaki et al. 396/534
6,269,227 B1 * 7/2001 Hamasaki et al. 396/534

1 Claim, 7 Drawing Sheets



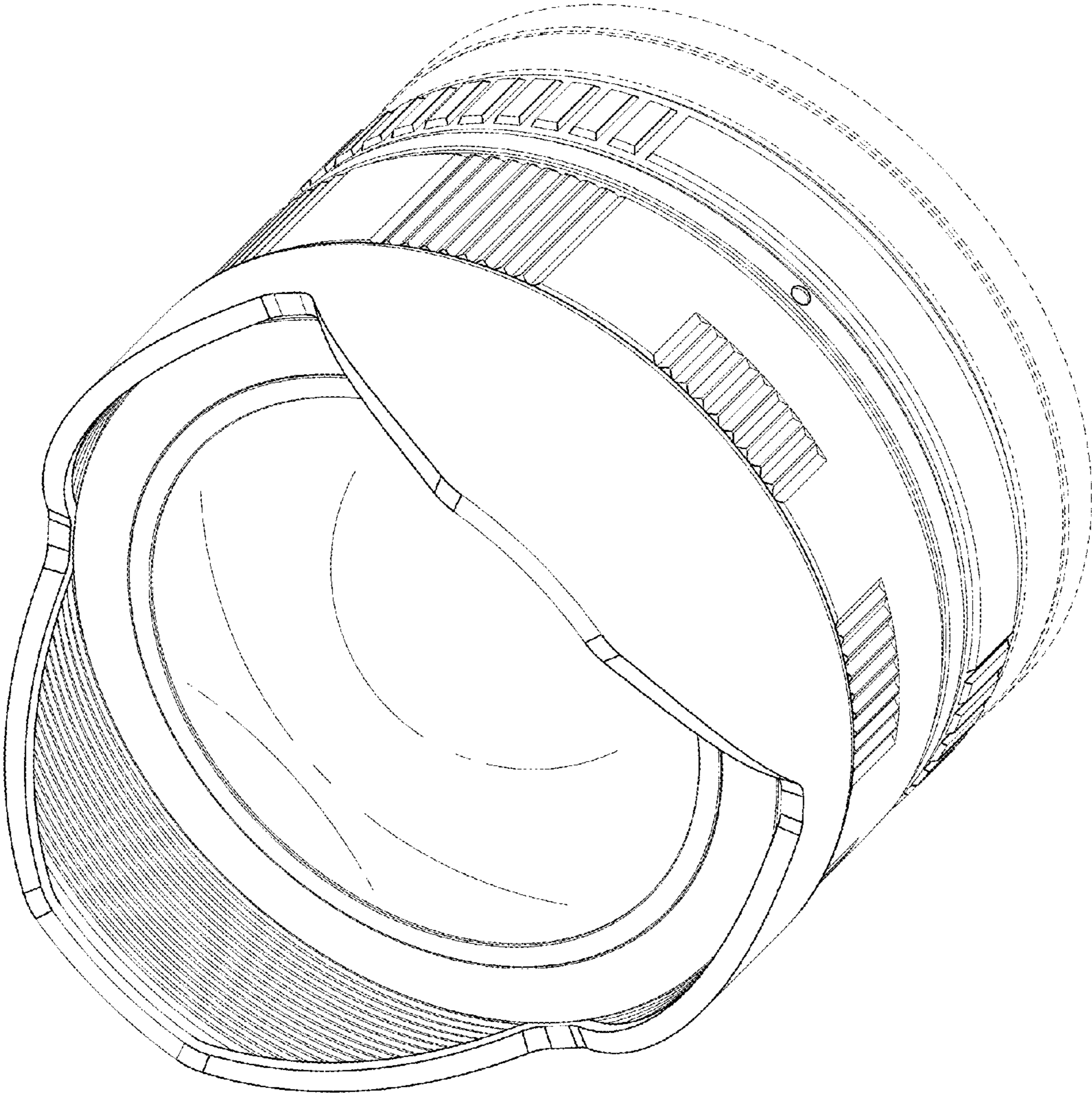


FIG. 1

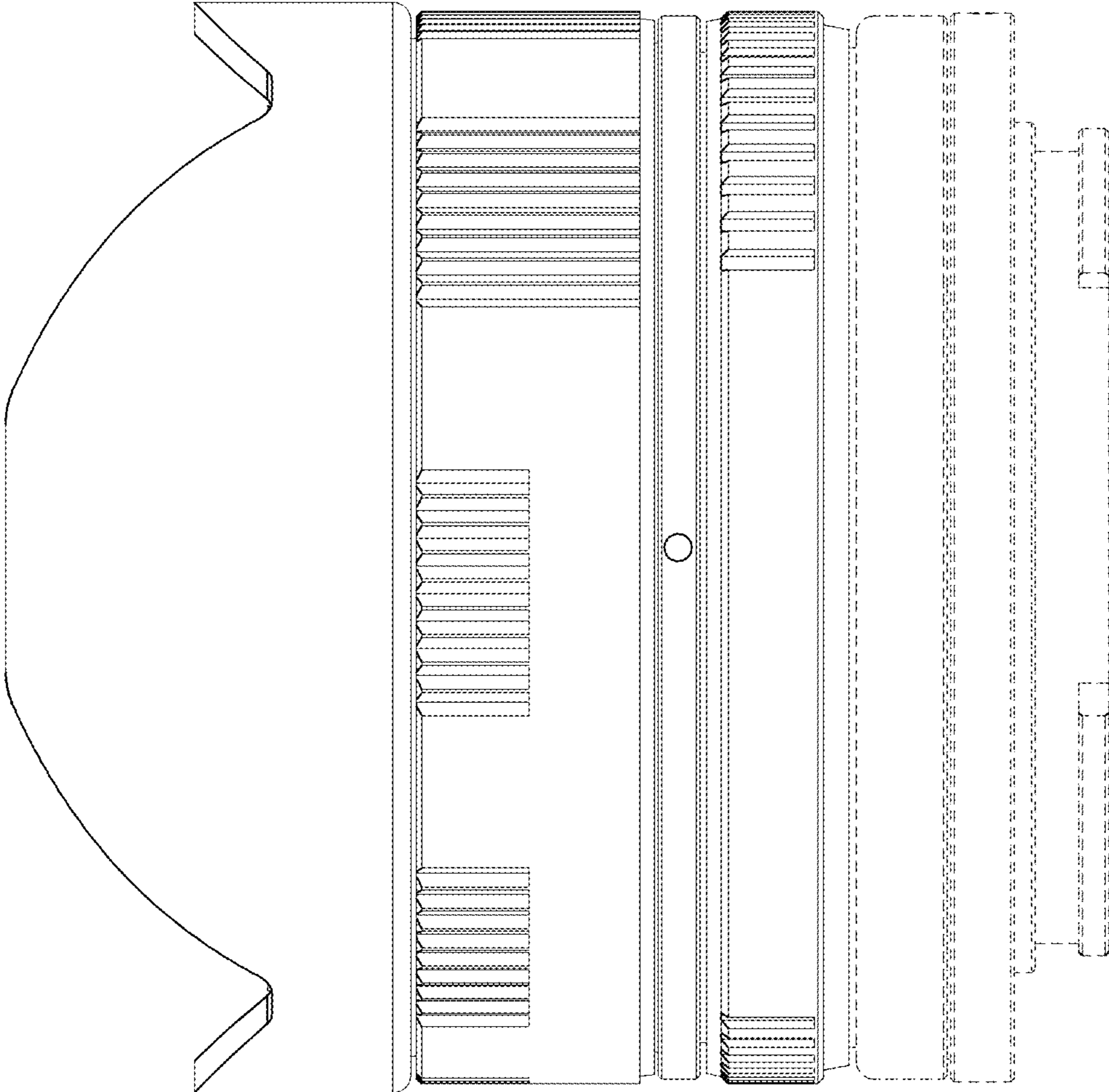


FIG. 2

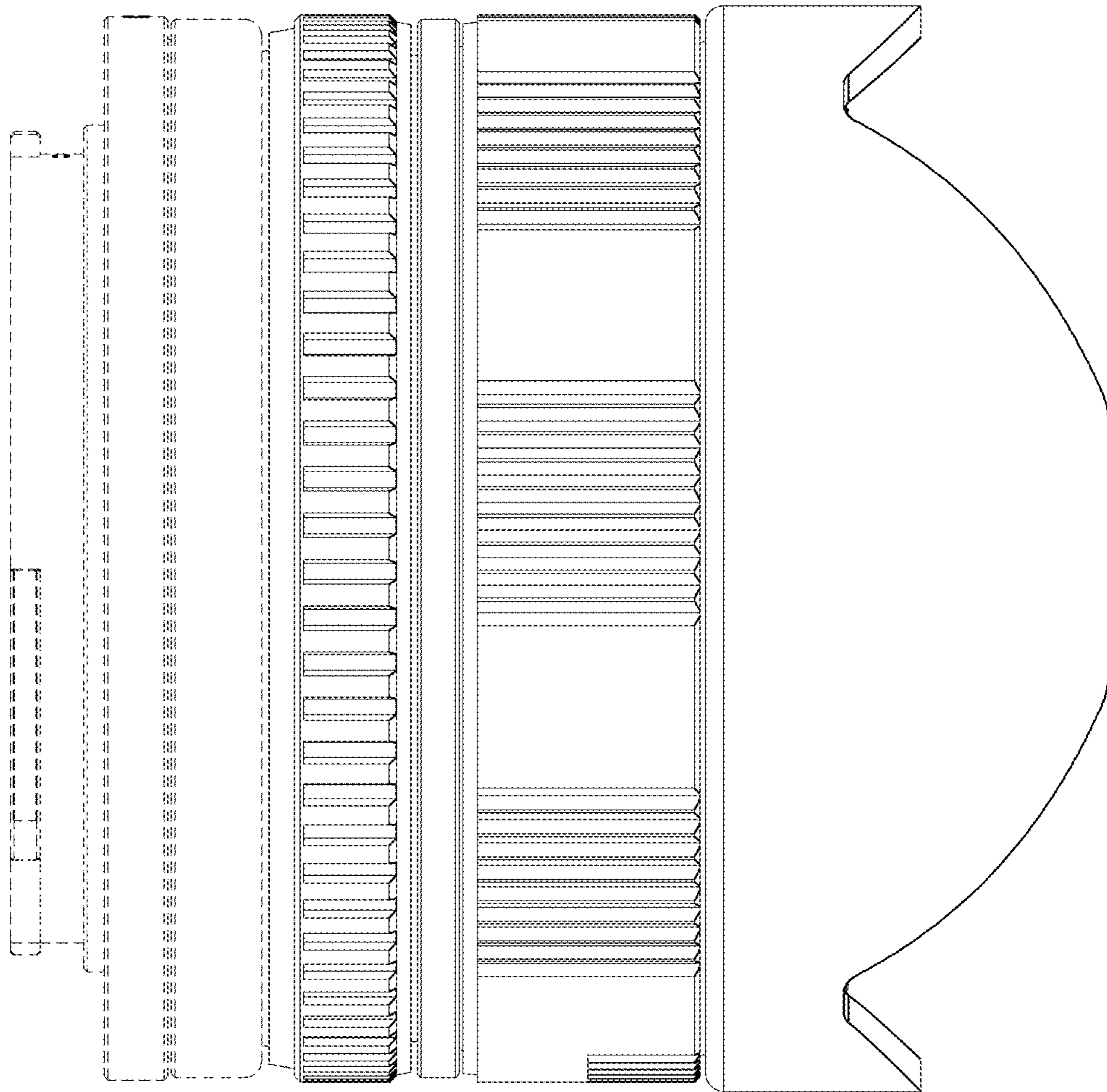


FIG. 3

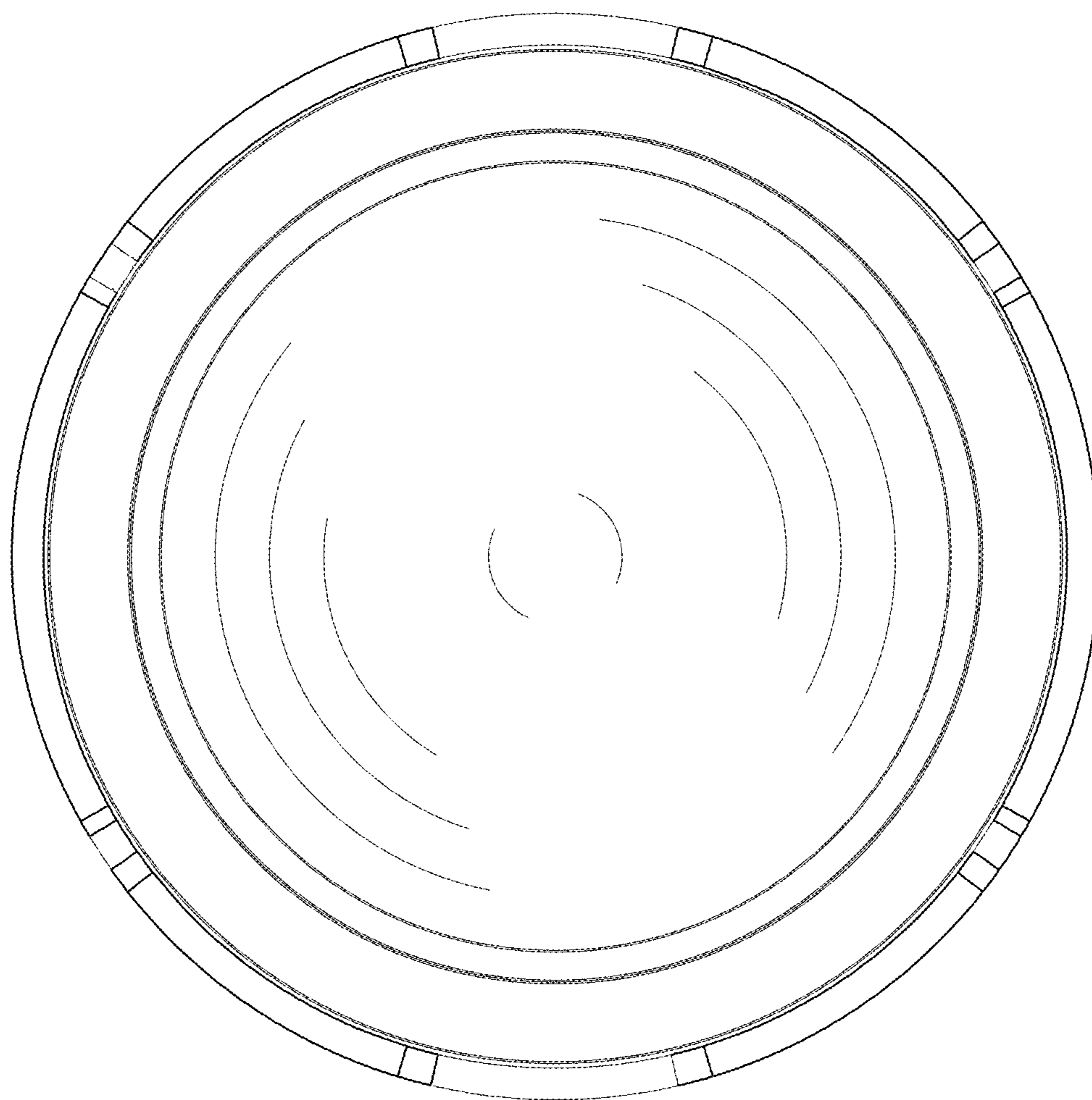


FIG. 4

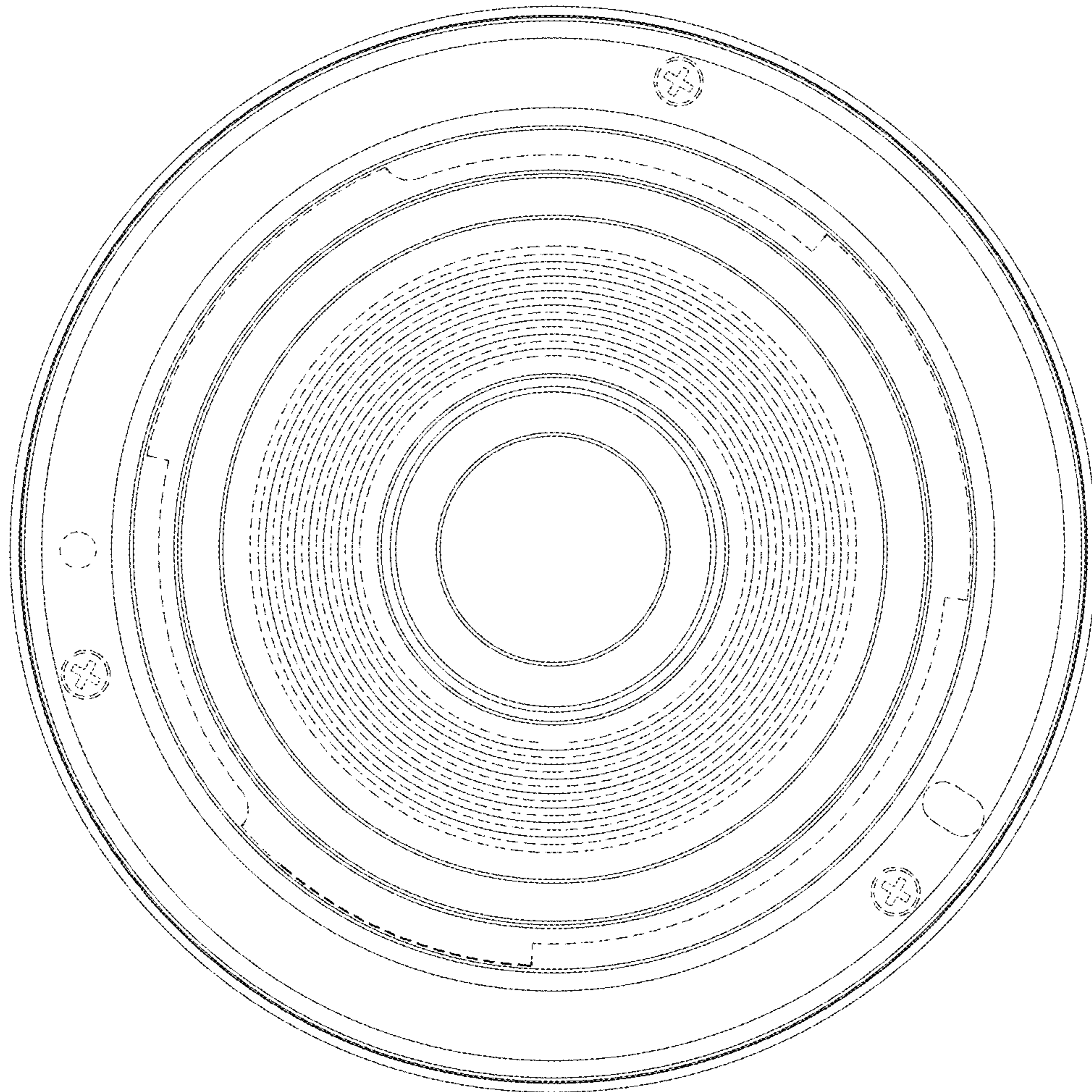


FIG. 5

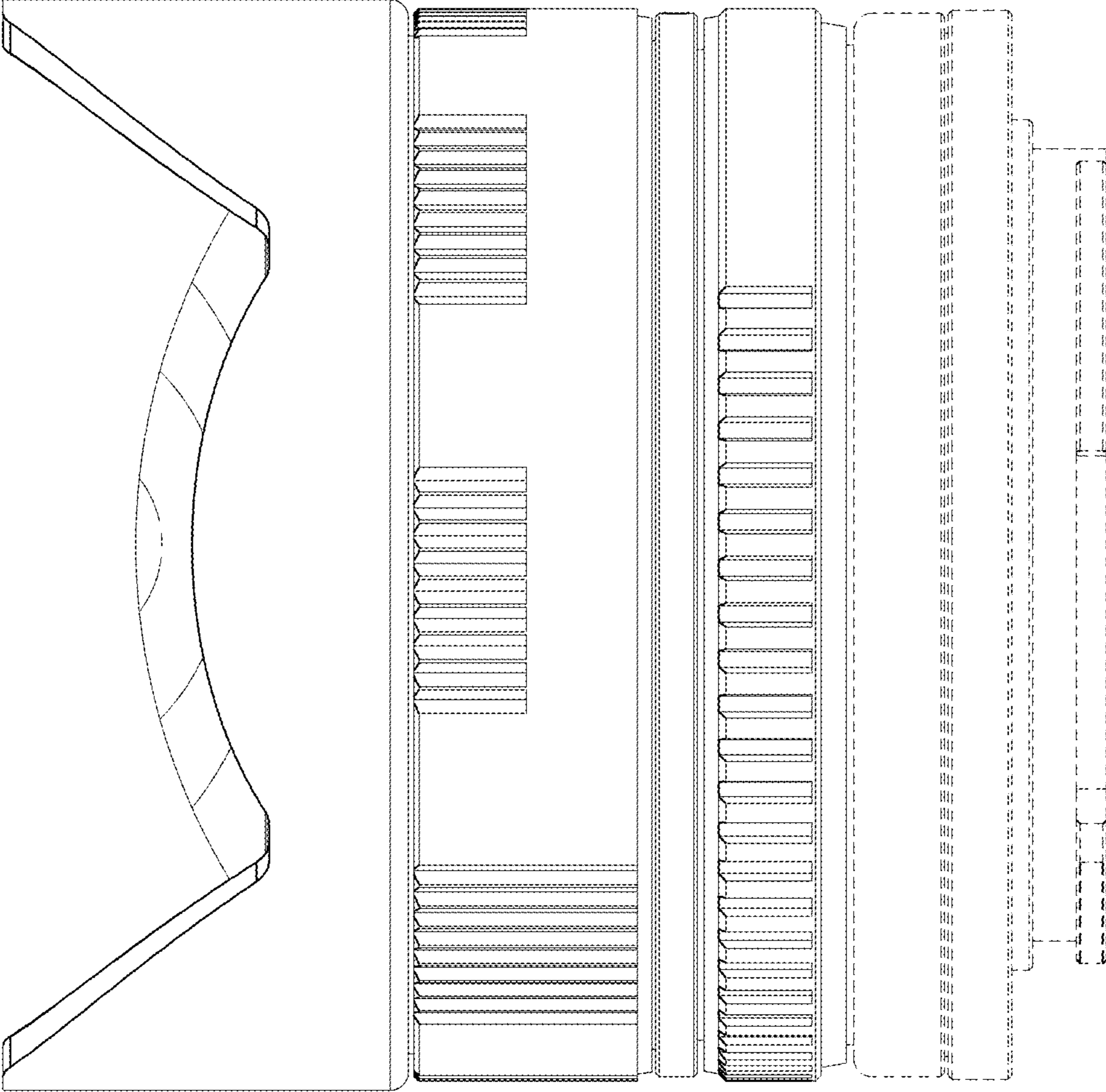


FIG. 6

