



US00D702747S

(12) **United States Design Patent**  
**Woodman et al.**

(10) **Patent No.:** **US D702,747 S**  
(45) **Date of Patent:** **\*\* Apr. 15, 2014**

(54) **CAMERA HOUSING**

(75) Inventors: **Nicholas D. Woodman**, Sausalito, CA (US); **Fred Bould**, Half Moon Bay, CA (US); **Kristen Beck**, San Mateo, CA (US); **Rudy Lucas Samuels**, Mill Valley, CA (US); **David Christopher Northway**, San Carlos, CA (US); **Scott Patrick Campbell**, Belmont, CA (US); **Michael Zaven Demerjian**, Pacifica, CA (US); **Marvin James Balaoro**, San Francisco, CA (US); **Fabrice Barbier**, San Carlos, CA (US); **Paul Douglas Osborne**, Mill Valley, CA (US); **Meghan Ann Laffey**, Los Altos, CA (US)

(73) Assignee: **GoPro, Inc.**, San Mateo, CA (US)

(\*\*) Term: **14 Years**

(21) Appl. No.: **29/431,861**

(22) Filed: **Sep. 11, 2012**

(51) **LOC (10) Cl.** ..... **16-01**

(52) **U.S. Cl.**  
USPC ..... **D16/200**

(58) **Field of Classification Search**  
USPC ..... D16/200, 202, 203, 208, 218, 219;  
348/373–376; 396/535–541

See application file for complete search history.

(56) **References Cited**

U.S. PATENT DOCUMENTS

D96,348	S	*	7/1935	Teaque .....	D16/217
4,646,141	A	*	2/1987	Timmermans et al. ....	348/373
D441,386	S	*	5/2001	Yamazaki .....	D16/203
D460,474	S	*	7/2002	Gotham et al. ....	D16/219
D582,955	S	*	12/2008	Sekine et al. ....	D16/218
D646,313	S	*	10/2011	Woodman .....	D16/200
D657,808	S	*	4/2012	Woodman .....	D16/200

\* cited by examiner

*Primary Examiner* — Adir Aronovich  
(74) *Attorney, Agent, or Firm* — Fenwick & West LLP

(57) **CLAIM**

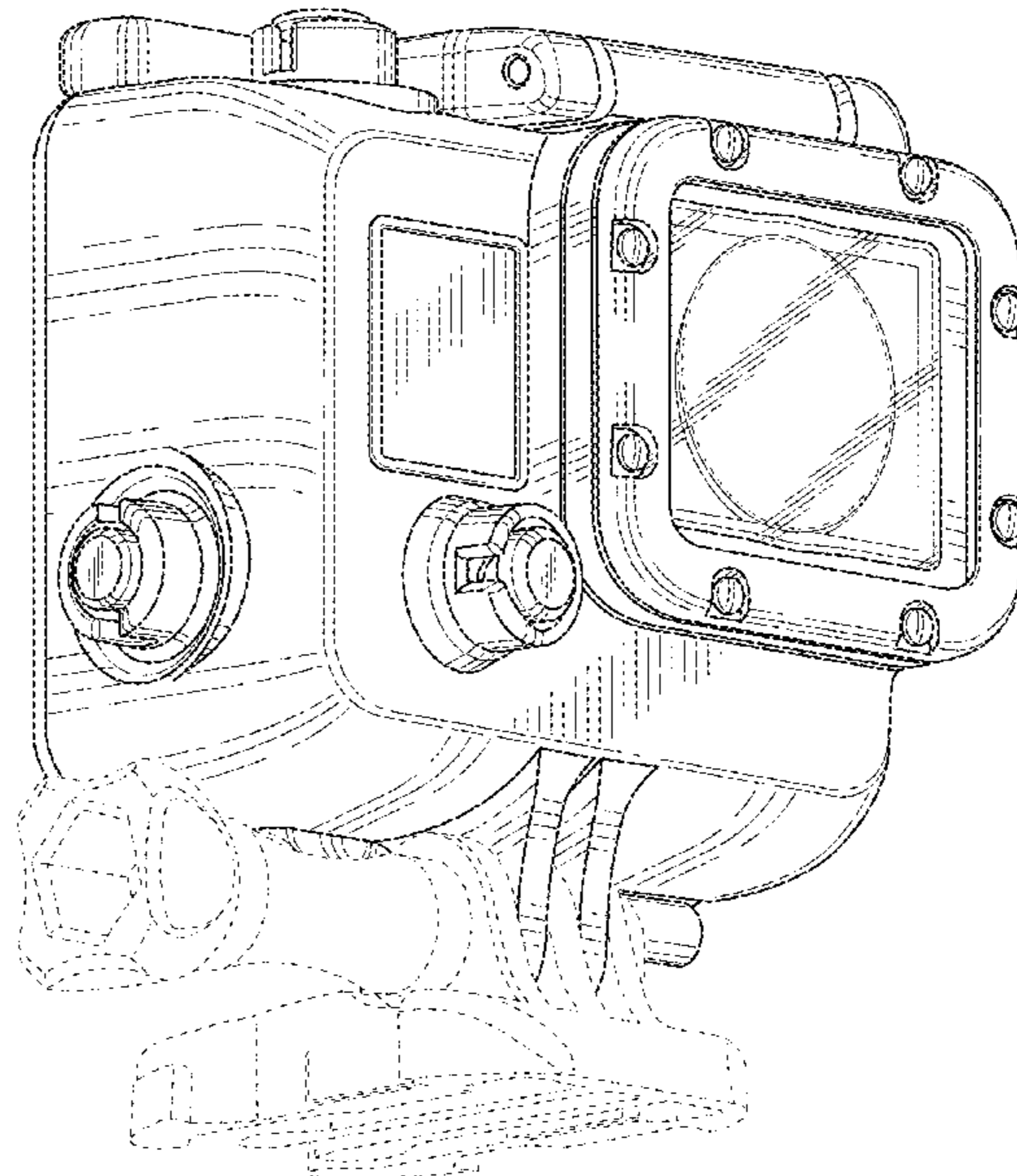
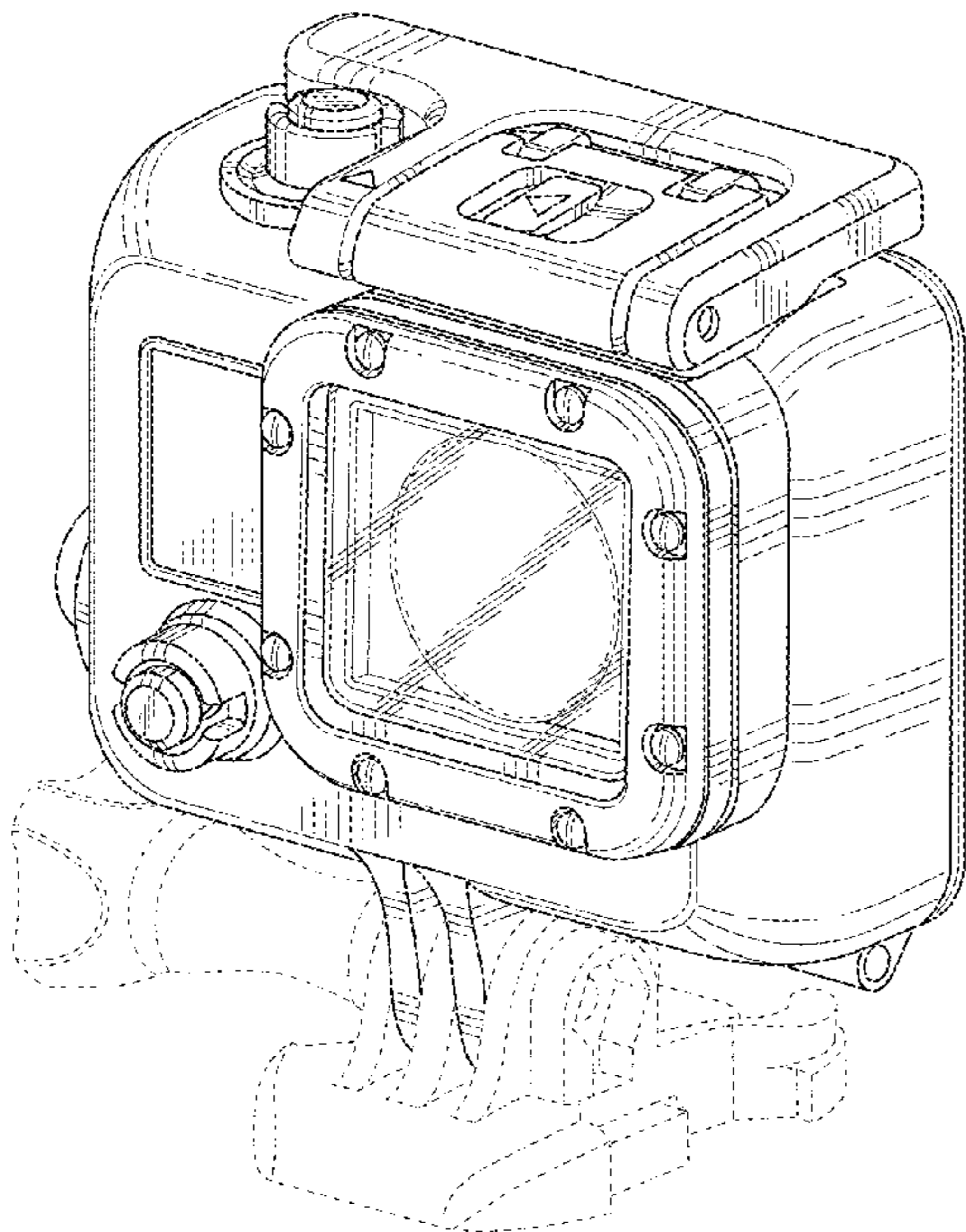
The ornamental design for a camera housing, as shown and described.

**DESCRIPTION**

FIG. 1 is a front, top and right side prospective view of a camera housing showing our new design;  
FIG. 2 is a front, bottom and left side perspective view thereof;  
FIG. 3 is a back, top and left side perspective view thereof;  
FIG. 4 is a back, bottom and right side perspective view thereof;  
FIG. 5 is a front elevational view thereof;  
FIG. 6 is a rear elevational view thereof;  
FIG. 7 is a left side elevational view thereof;  
FIG. 8 is a right side elevational view thereof;  
FIG. 9 is a top plan view thereof; and,  
FIG. 10 is a bottom plan view thereof.

The broken lines in the drawings showing portions of the camera housing are included for the purpose of illustrating environmental structure and form no part of the claimed design.

**1 Claim, 10 Drawing Sheets**



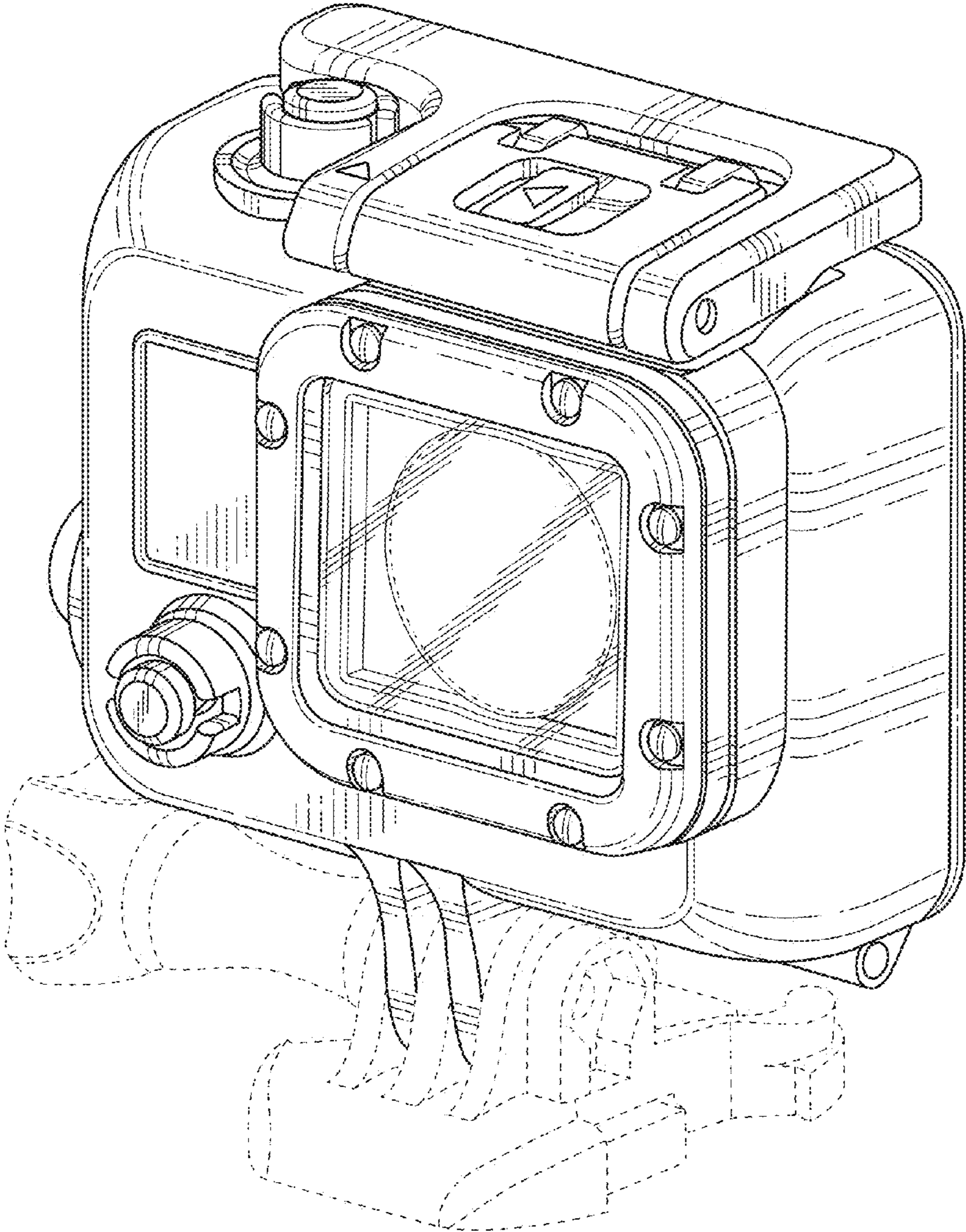


FIG. 1

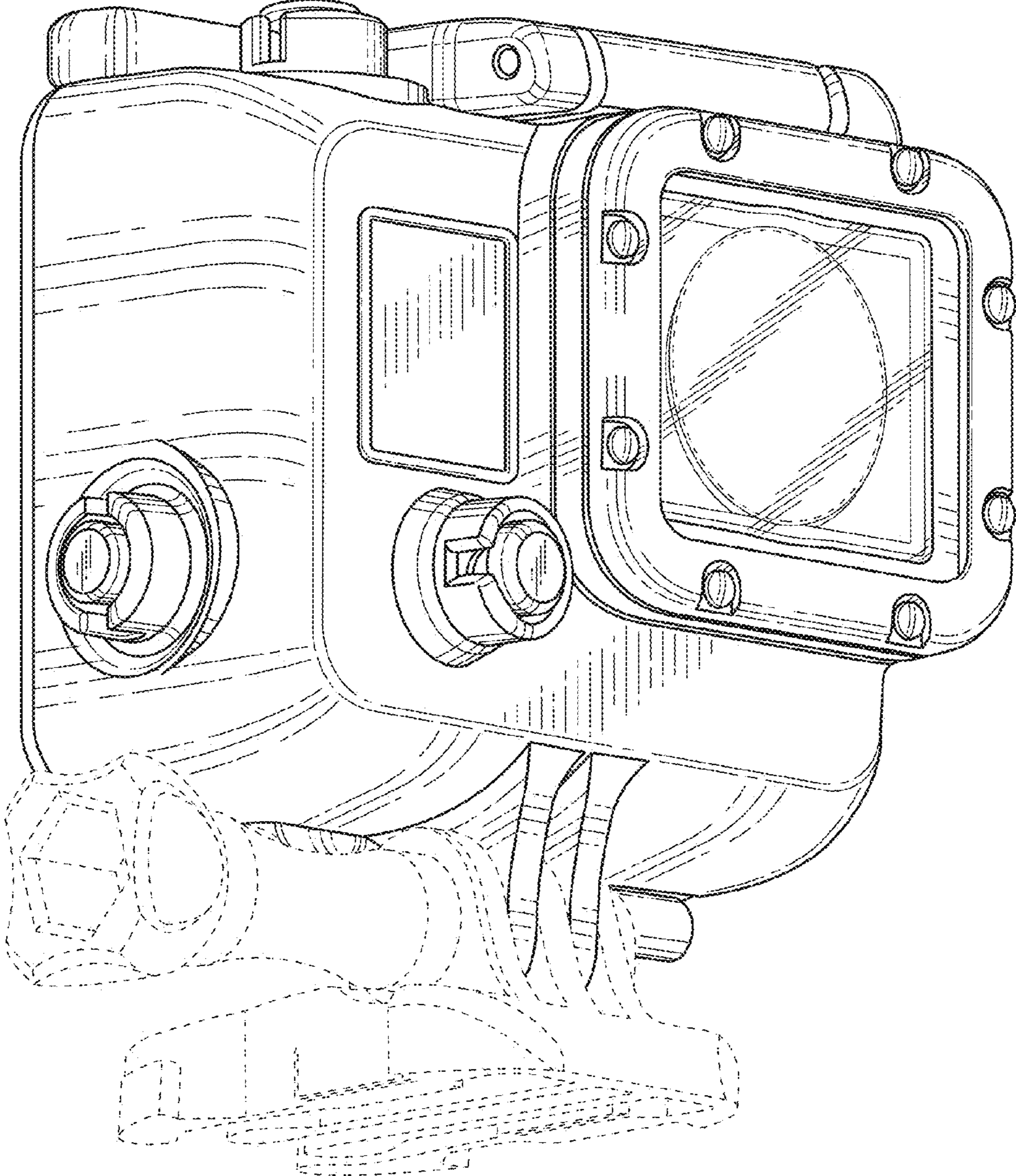


FIG. 2

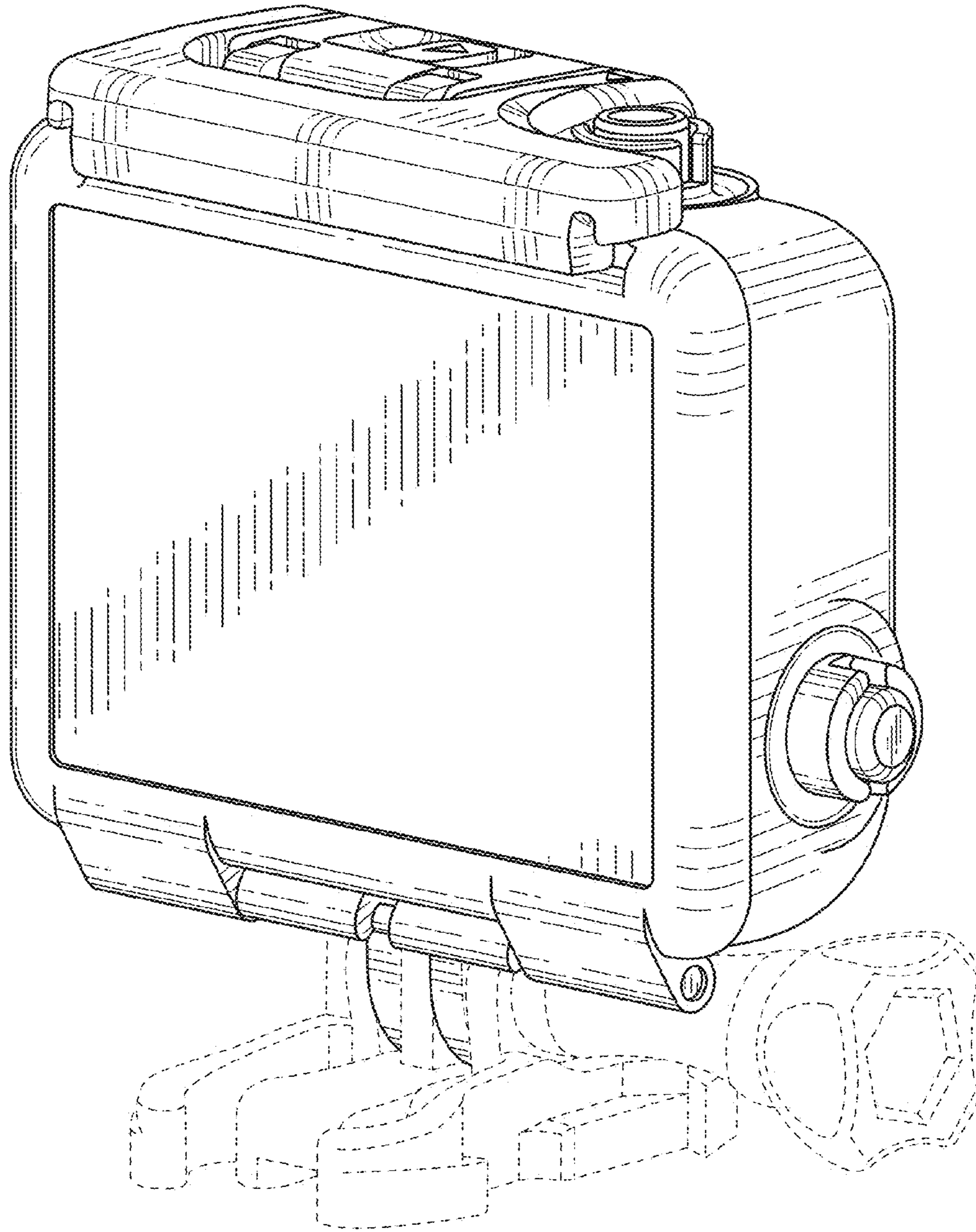


FIG. 3

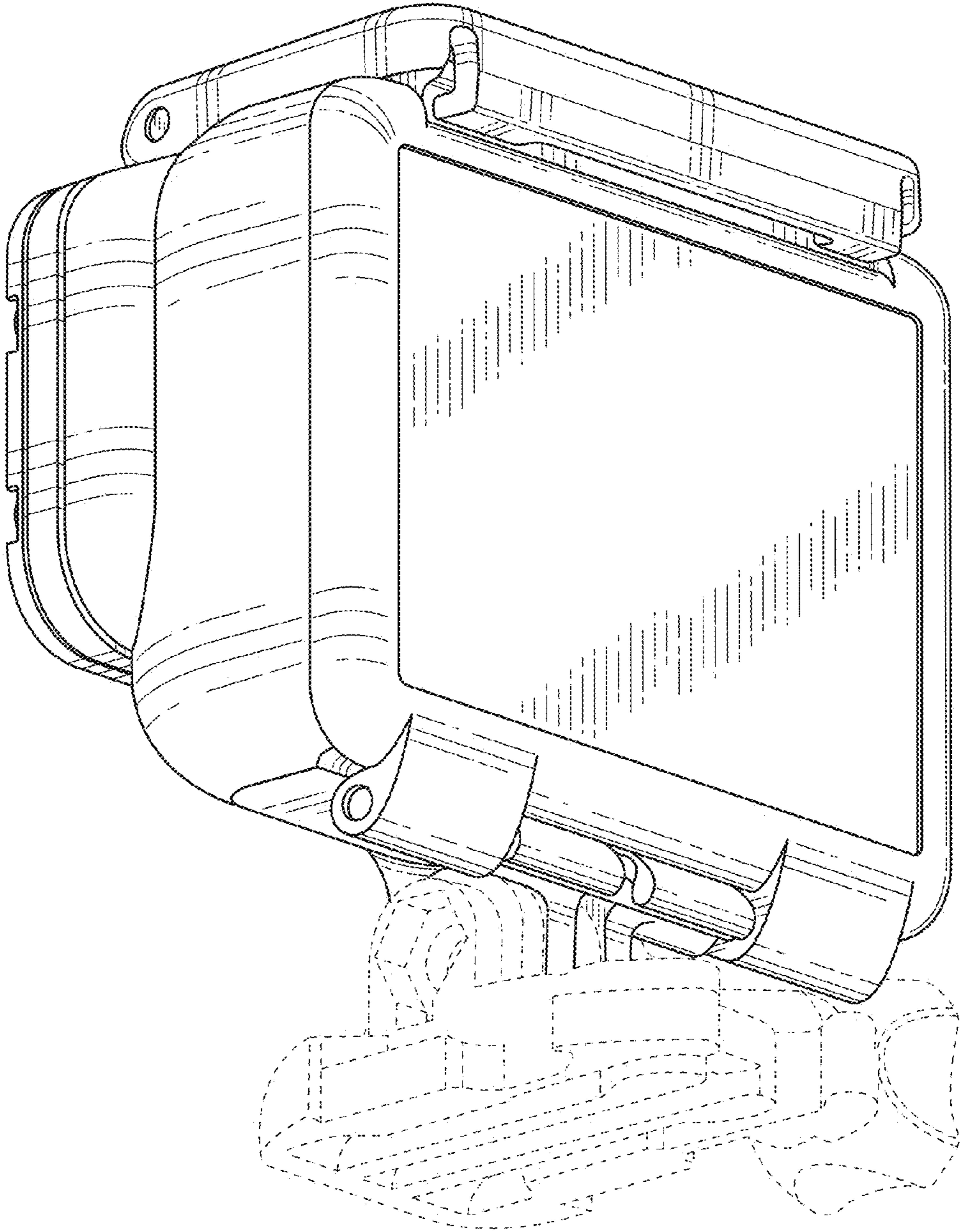


FIG. 4

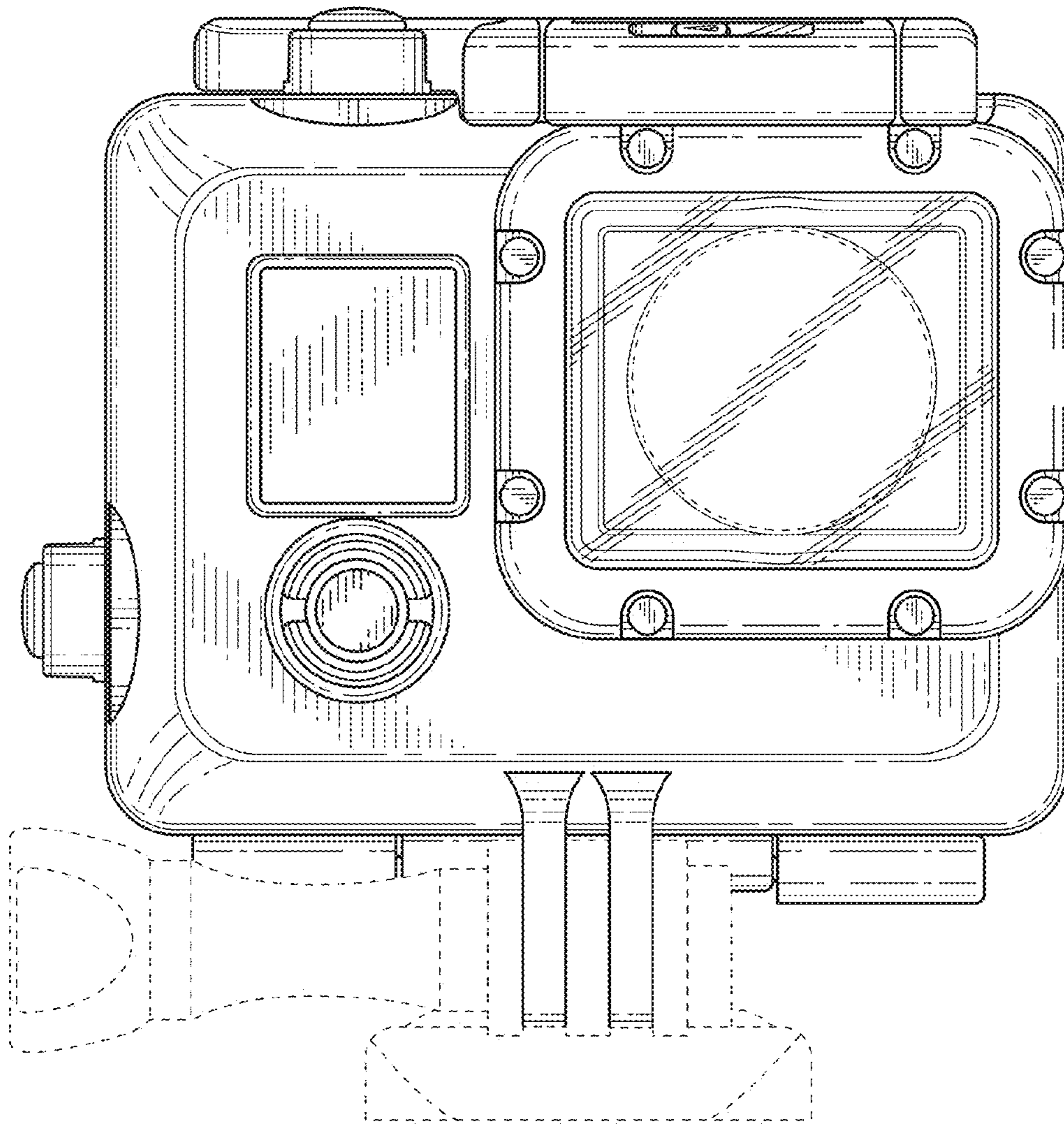


FIG. 5

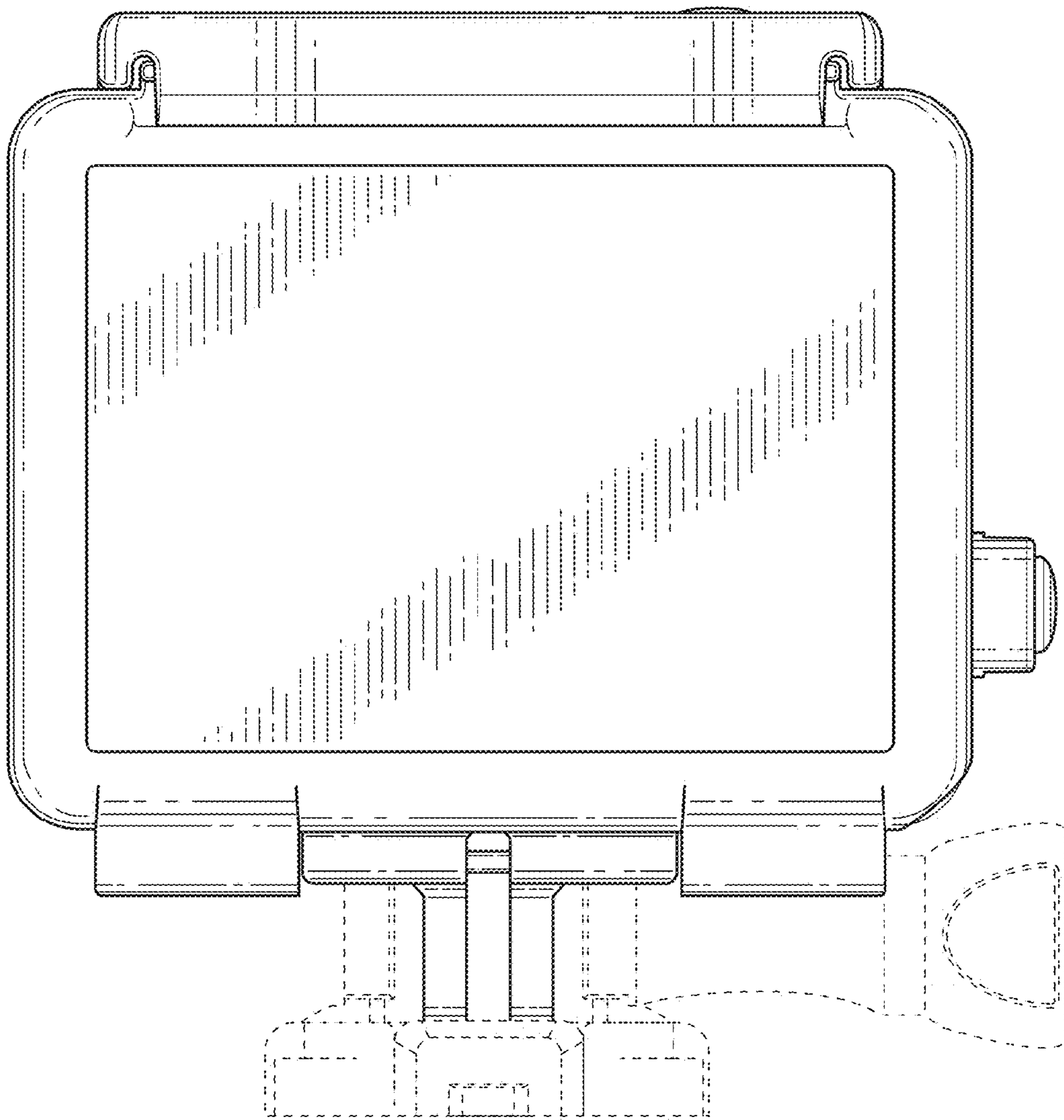


FIG. 6

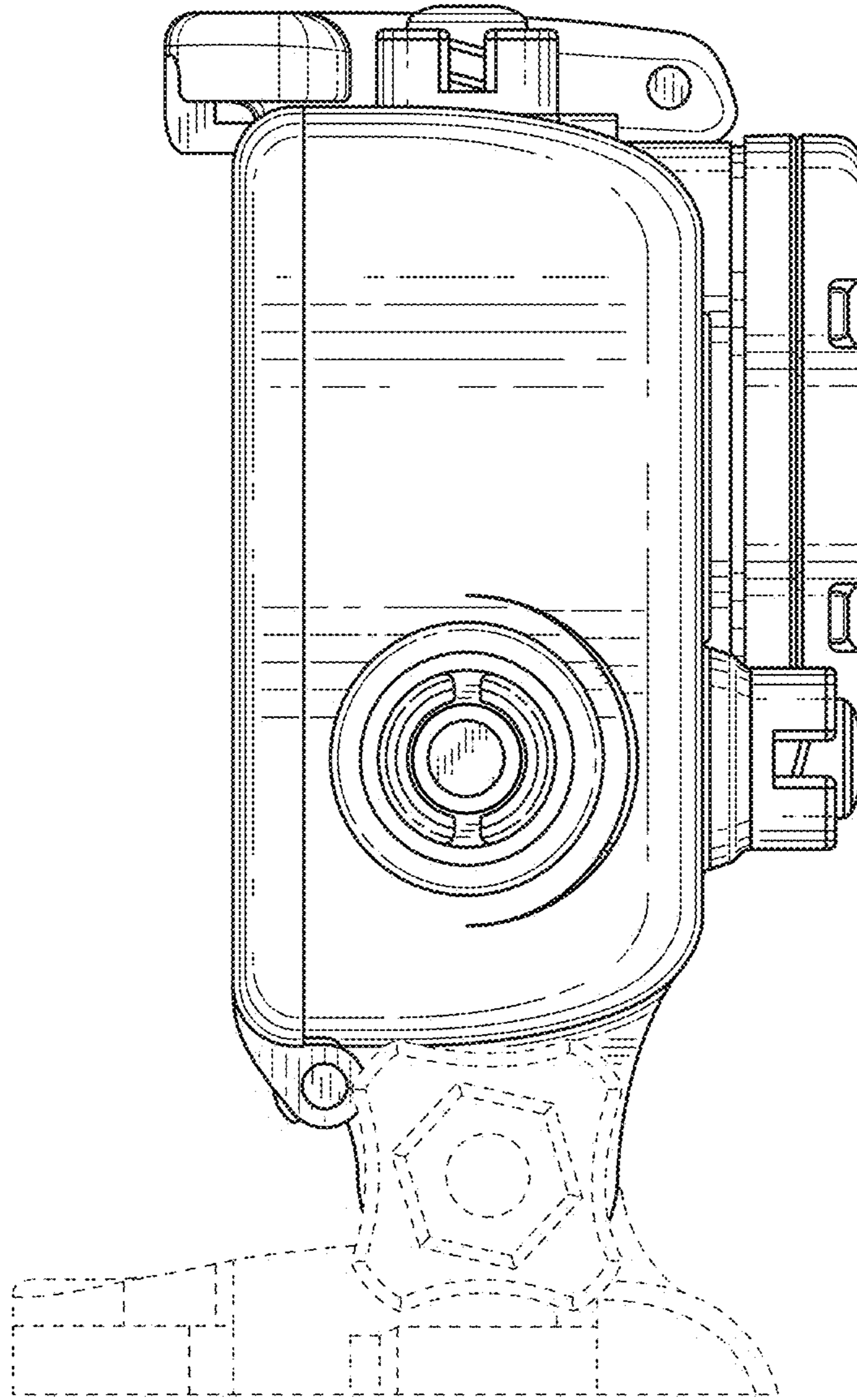


FIG. 7



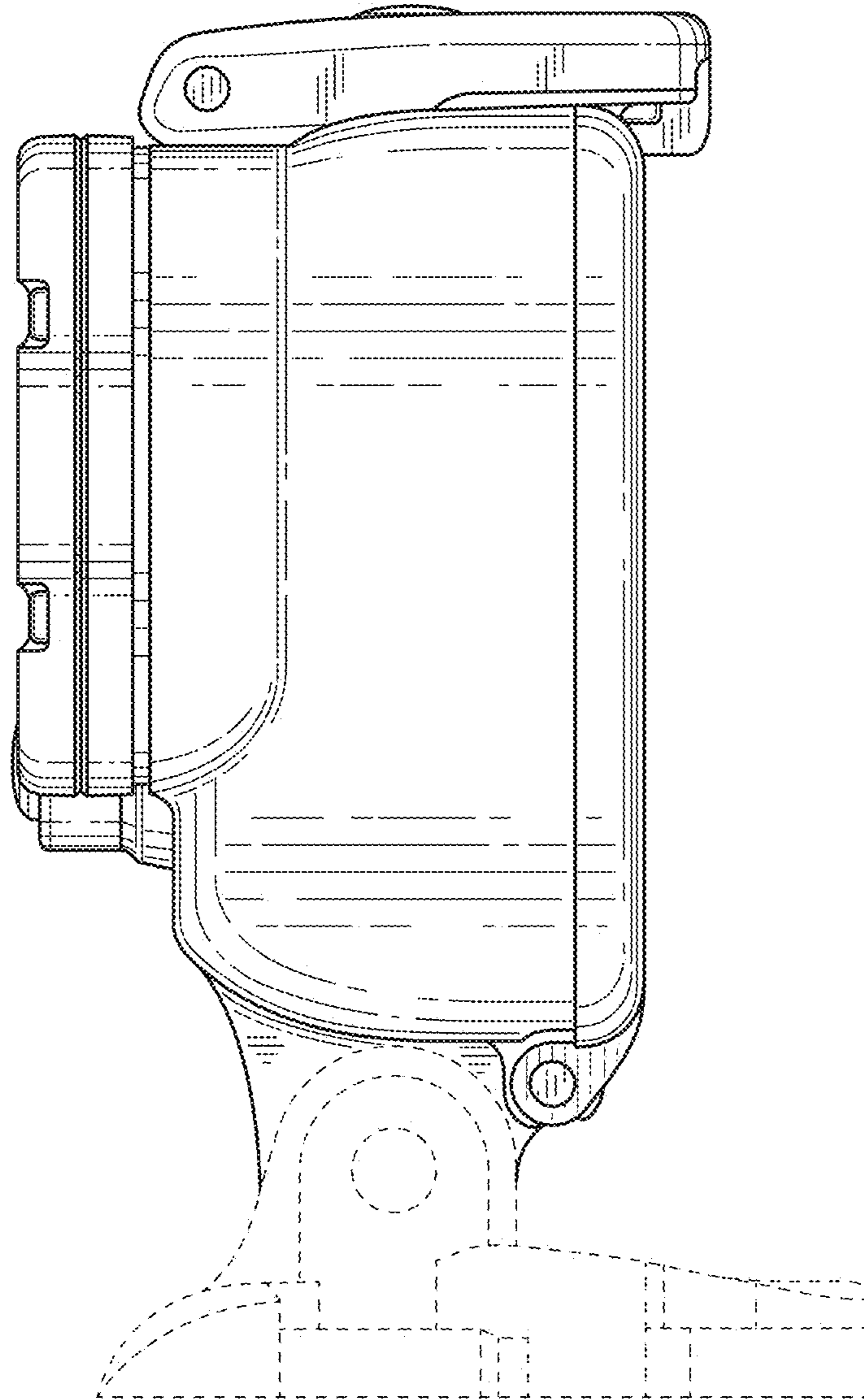


FIG. 8

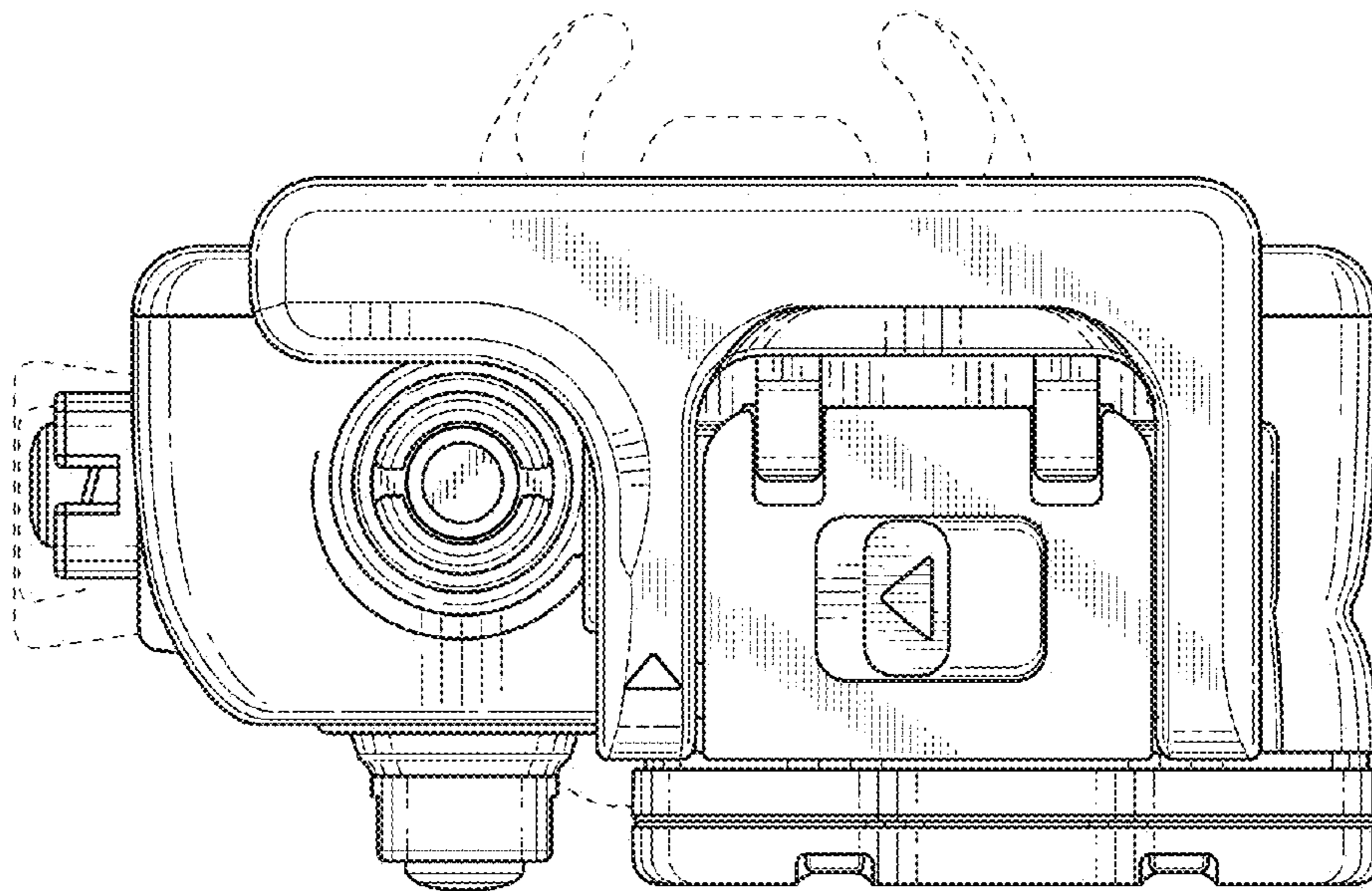


FIG. 9

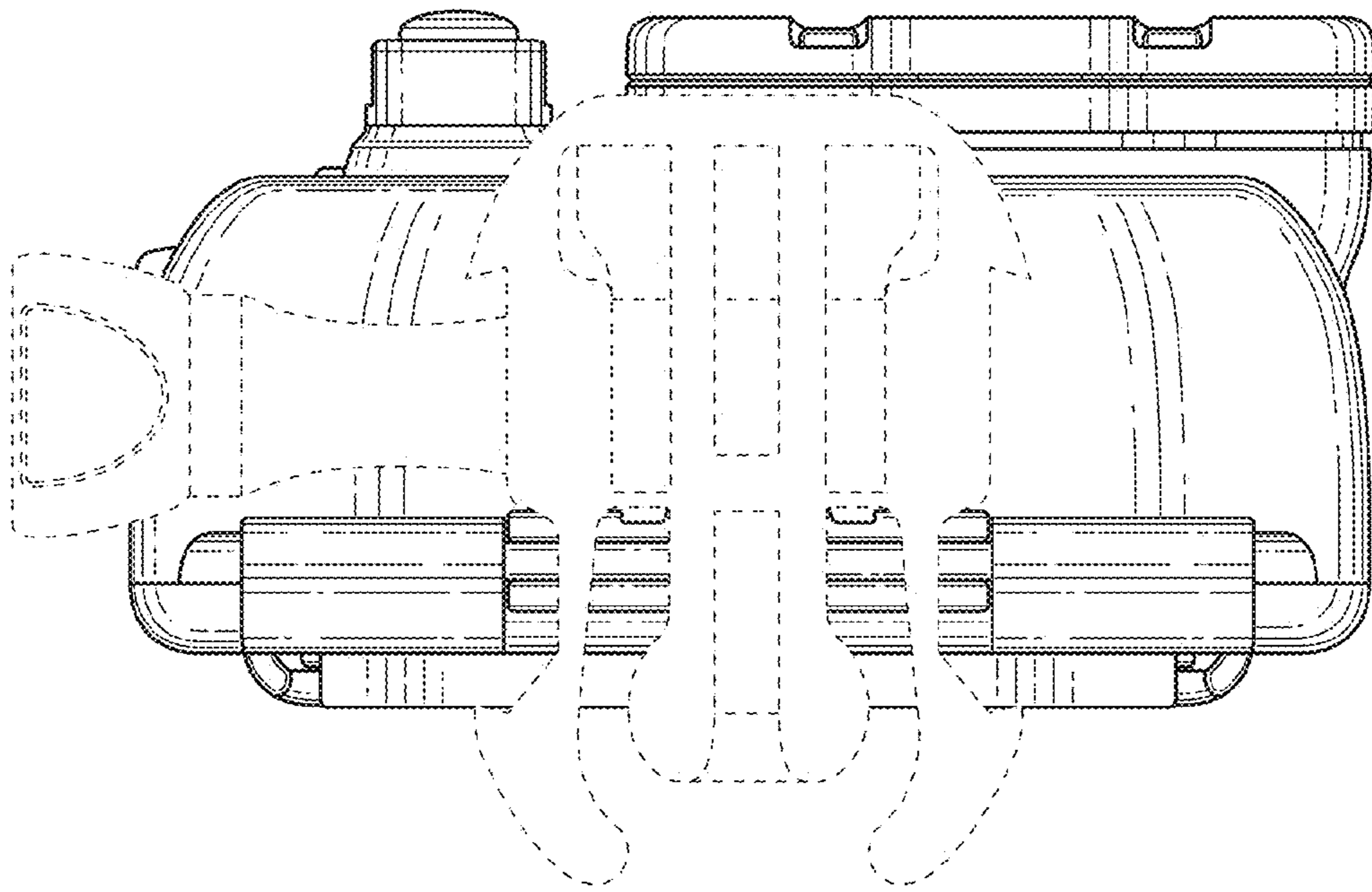


FIG. 10

UNITED STATES PATENT AND TRADEMARK OFFICE  
**CERTIFICATE OF CORRECTION**

PATENT NO. : D702,747 S  
APPLICATION NO. : 29/431861  
DATED : April 15, 2014  
INVENTOR(S) : Nicholas D. Woodman et al.

Page 1 of 1

It is certified that error appears in the above-identified patent and that said Letters Patent is hereby corrected as shown below:

On the Title Page, under item (75) Inventors, delete "David Christopher Northway," and insert  
--David Christophe Northway--.

Signed and Sealed this  
Eighth Day of November, 2016



Michelle K. Lee  
*Director of the United States Patent and Trademark Office*