



US00D702744S

(12) **United States Design Patent**
Lin et al.

(10) **Patent No.:** **US D702,744 S**

(45) **Date of Patent:** **** Apr. 15, 2014**

(54) **ACTUATOR**

(71) Applicant: **Timotion Technology Co., Ltd.**, New Taipei (TW)

(72) Inventors: **Yi-Ching Lin**, New Taipei (TW);
Chun-Yi Tsai, New Taipei (TW)

(73) Assignee: **Timotion Technology Co., Ltd.**, New Taipei (TW)

(**) Term: **14 Years**

(21) Appl. No.: **29/471,240**

(22) Filed: **Oct. 30, 2013**

(51) **LOC (10) Cl.** **15-09**

(52) **U.S. Cl.**
USPC **D15/143; D15/199**

(58) **Field of Classification Search**
USPC D13/118, 158, 162, 184; D15/1-5, 7, 9,
D15/143, 148, 149, 199; 74/89.15, 90.15,
74/411.5, 411, 54, 490.09; 297/14, 325,
297/327; 310/10, 12, 15, 20, 20.8, 80, 300
See application file for complete search history.

(56) **References Cited**

U.S. PATENT DOCUMENTS

D340,938 S * 11/1993 Spaggiari D15/199
D497,620 S * 10/2004 Morton D15/7
D522,546 S * 6/2006 Beadle et al. D15/148

D620,961 S * 8/2010 Iversen D15/143
D624,101 S * 9/2010 Tseng D15/143
D652,770 S * 1/2012 Hatano et al. D12/180
D660,891 S * 5/2012 Sannomiya D15/143
D695,799 S * 12/2013 Landerholm D15/143
D696,704 S * 12/2013 Battistella D15/143

* cited by examiner

Primary Examiner — Patricia Palasik

(74) *Attorney, Agent, or Firm* — Chun-Ming Shih; HDLS IPR Services

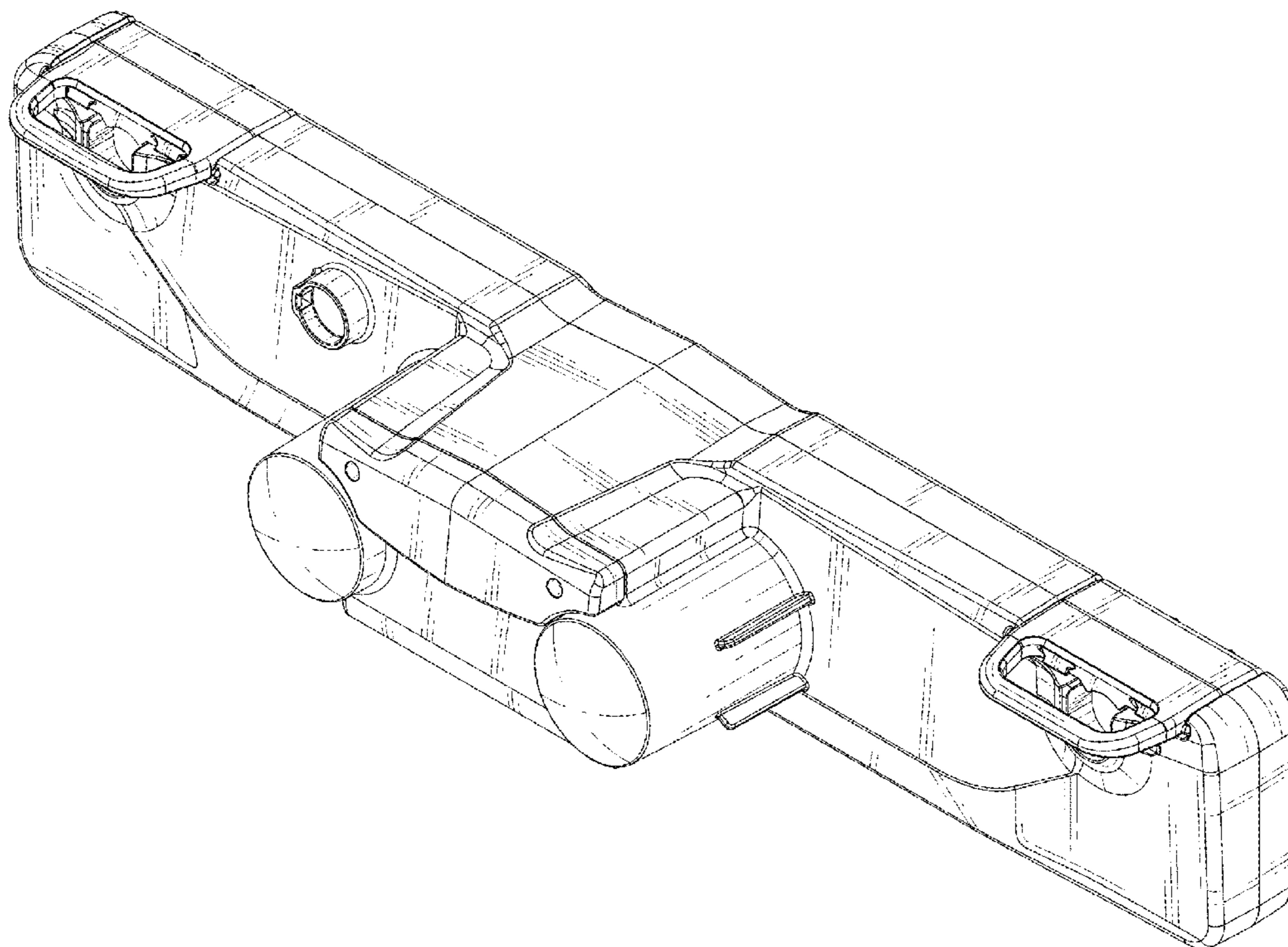
(57) **CLAIM**

The ornamental design for an actuator, as shown and described.

DESCRIPTION

FIG. 1 is a perspective view of an actuator showing my new design;
FIG. 2 is a front view thereof;
FIG. 3 is a rear view thereof;
FIG. 4 is a left side view thereof;
FIG. 5 is a right side view thereof;
FIG. 6 is a top view thereof;
FIG. 7 is a bottom view thereof; and
FIG. 8 is another perspective view showing the actuator; and,
FIG. 9 is the other perspective view showing the actuator.
The broken lines shown represent unclaimed subject matter and form no part of the claimed design.

1 Claim, 8 Drawing Sheets



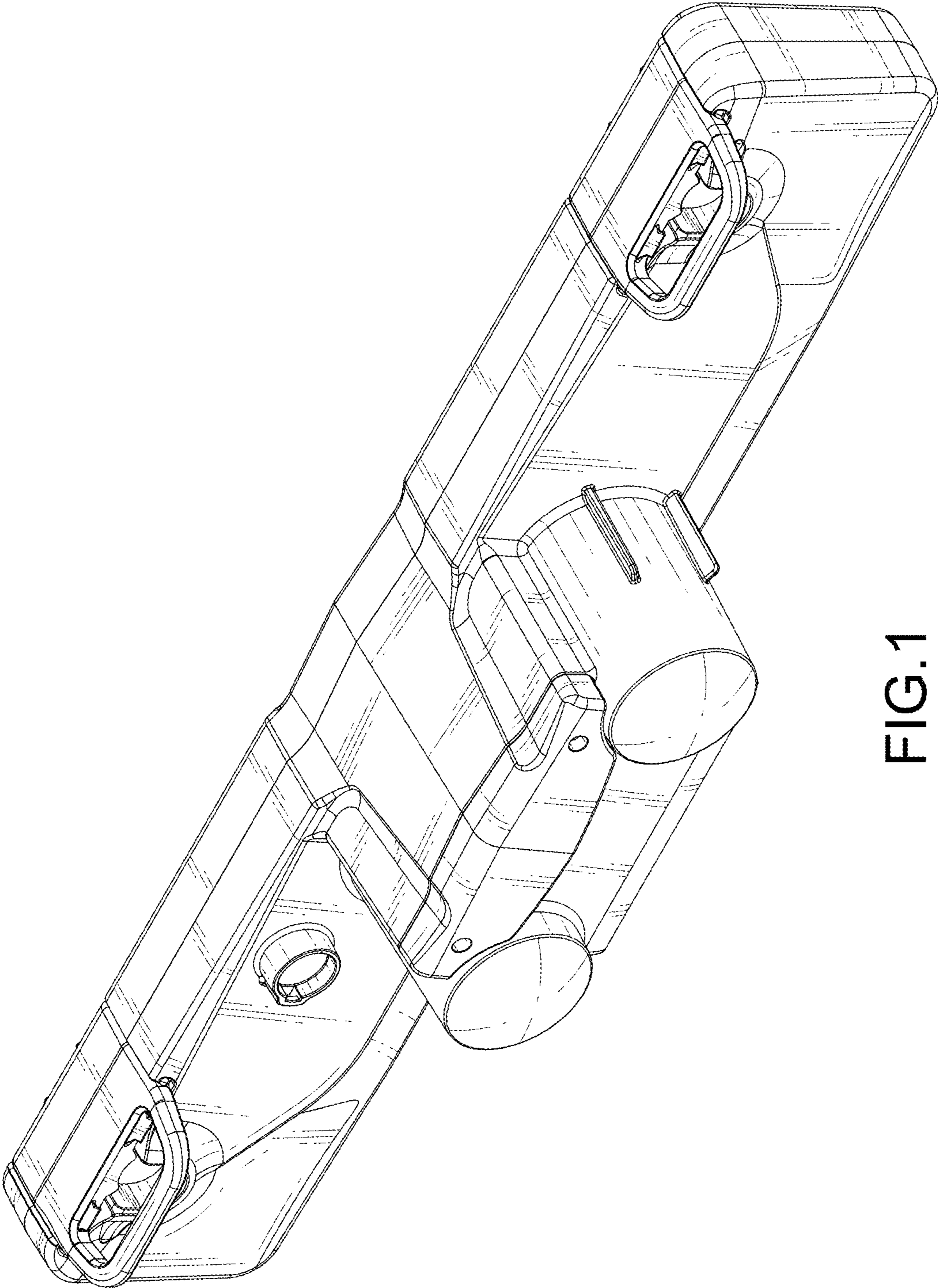


FIG.1

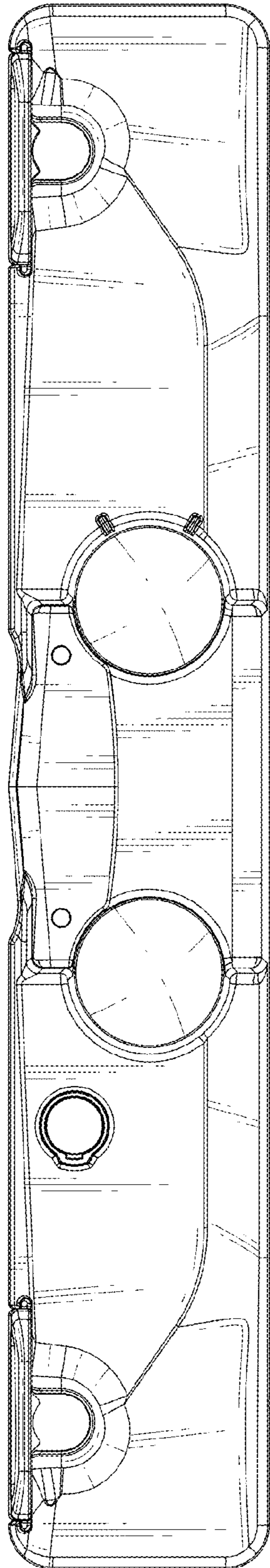


FIG.2

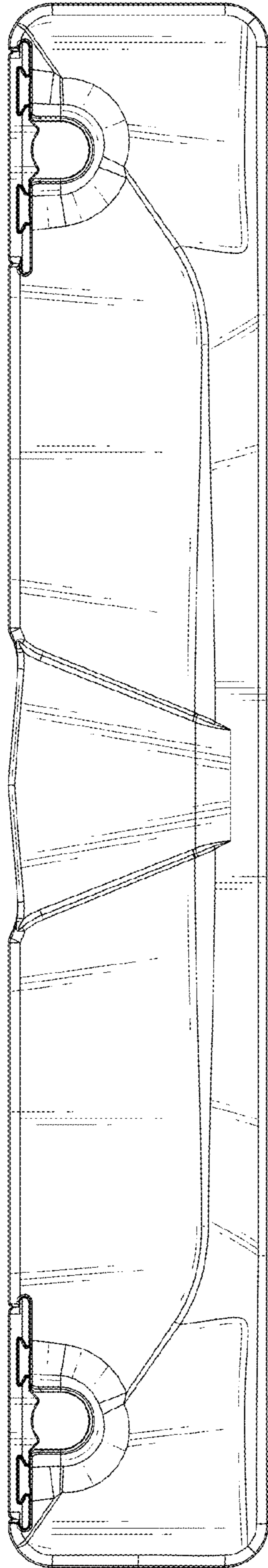


FIG.3

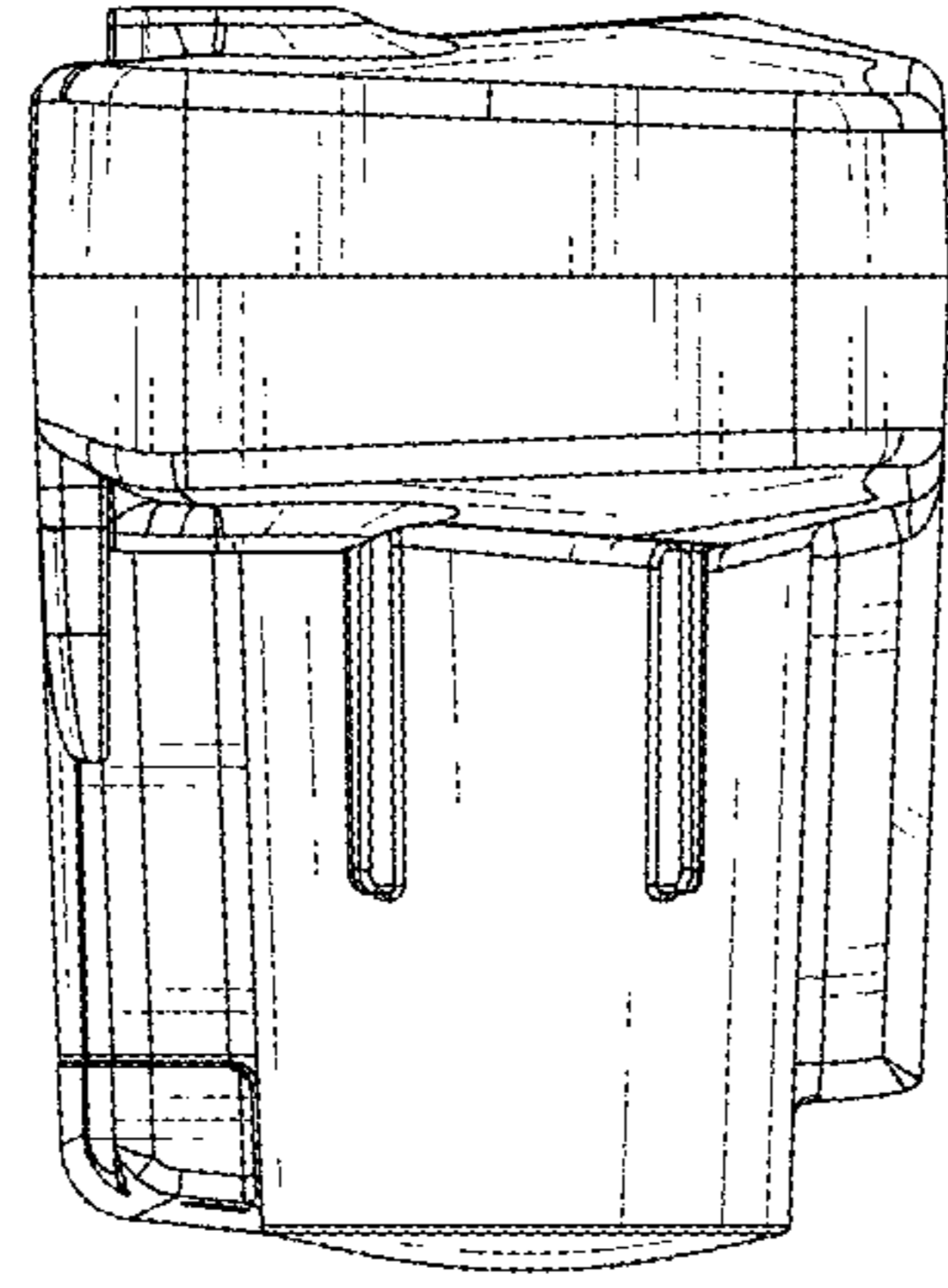


FIG.5

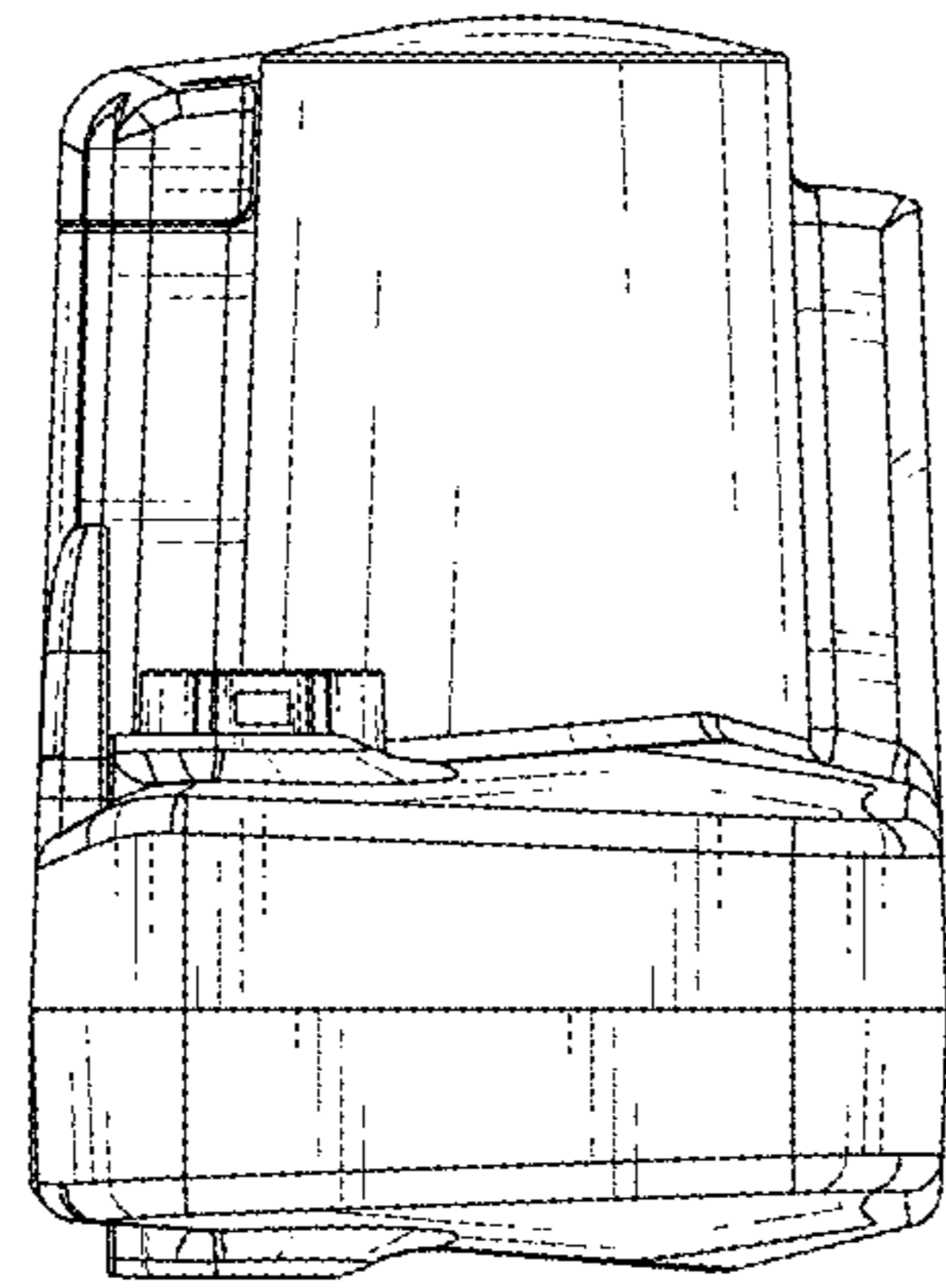


FIG.4

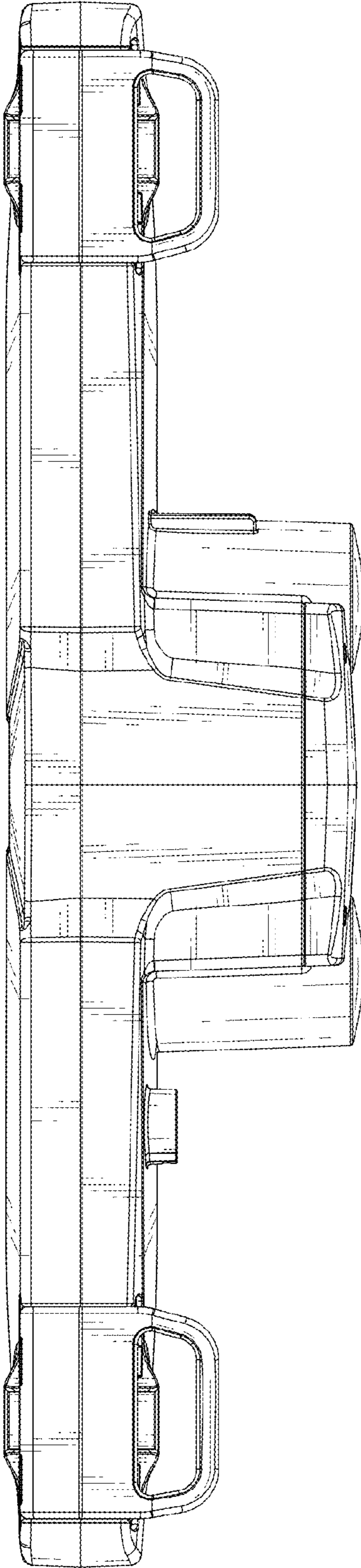


FIG.6

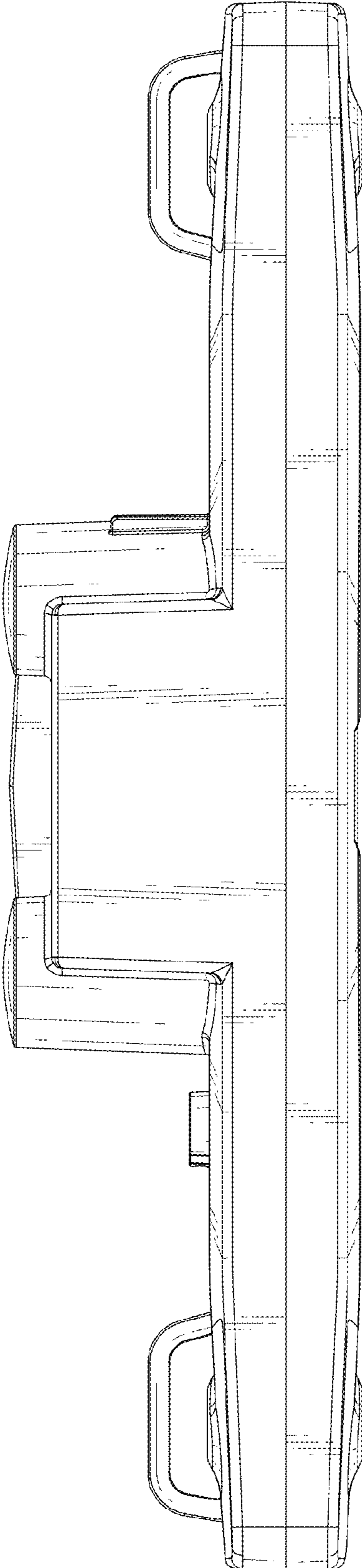


FIG.7

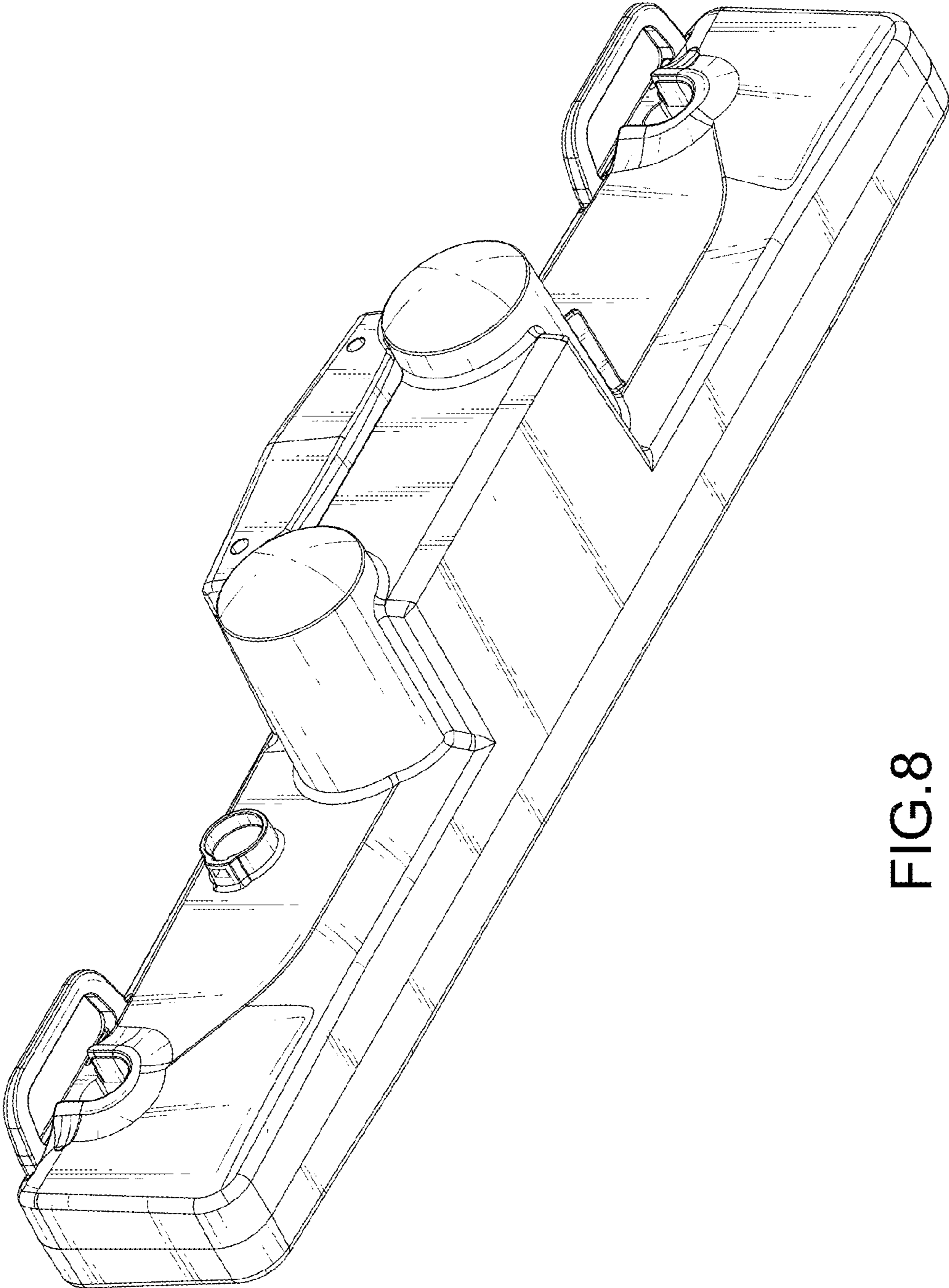


FIG.8

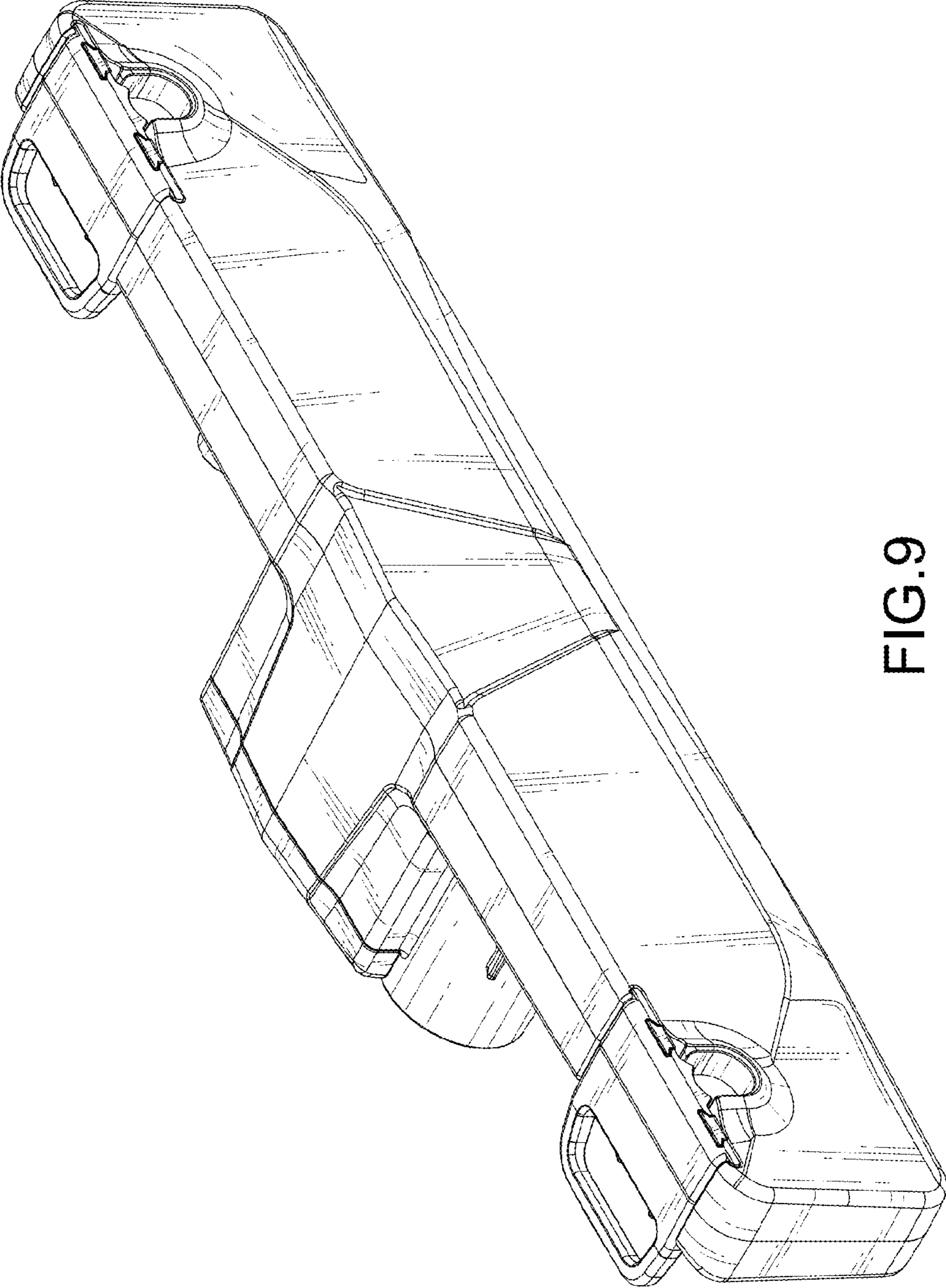


FIG.9