



US00D702743S

(12) **United States Design Patent**
Witz

(10) **Patent No.:** **US D702,743 S**
(45) **Date of Patent:** **** Apr. 15, 2014**

- (54) **GATE PORTION OF A PREFORM**
- (75) Inventor: **Jean-Christophe Witz, Yutz (FR)**
- (73) Assignee: **Husky Injection Molding Systems Ltd., Bolton, Ontario (CA)**
- (**) Term: **14 Years**
- (21) Appl. No.: **29/424,177**
- (22) Filed: **Jun. 8, 2012**

5,008,066	A	4/1991	Mueller	
5,158,817	A	10/1992	Krishnakumar	
D342,028	S *	12/1993	Stenger	D9/521
5,455,088	A	10/1995	Deemer	
5,714,111	A	2/1998	Beck et al.	
5,888,598	A	3/1999	Brewster et al.	
6,079,579	A	6/2000	De Cuyper	
6,248,413	B1	6/2001	Barel et al.	
D633,392	S *	3/2011	Northrop et al.	D9/521
7,897,222	B2	3/2011	Witz et al.	
D644,536	S *	9/2011	Witz et al.	D9/740
D664,165	S *	7/2012	Witz	D15/136
2006/0147664	A1	7/2006	Richards et al.	

Related U.S. Application Data

- (60) Division of application No. 29/356,396, filed on Feb. 25, 2010, now Pat. No. Des. 664,165, which is a continuation-in-part of application No. 29/332,446, filed on Feb. 17, 2009, now abandoned.
- (51) **LOC (10) Cl.** **15-09**
- (52) **U.S. Cl.**
USPC **D15/136**
- (58) **Field of Classification Search**
USPC D9/740-745; D15/135, 136; D26/1-4;
249/142; 264/532, 537; 313/37-38,
313/271-279, 316, 333; 315/46-49, 66-69;
425/533, 577
See application file for complete search history.

References Cited

U.S. PATENT DOCUMENTS

3,387,324	A	6/1968	Valyi
3,819,314	A	6/1974	Marcus
4,243,620	A	1/1981	Curetti et al.
4,432,530	A	2/1984	Marcinek
4,915,992	A	4/1990	Takakusaki et al.
4,927,680	A	5/1990	Collette et al.
4,959,006	A	9/1990	Feddersen et al.

FOREIGN PATENT DOCUMENTS

CA	2233421	C	10/1998
CA	2547763	A1	6/2005
IT	0006443980001	D	1/2007
WO	9004543		5/1990

OTHER PUBLICATIONS

Concordia Development, The Smartest Way of Saving Weight, Cappello Design, Works Exclusively with Otto Hofstetter and Husky, Milano, Italy.

* cited by examiner

Primary Examiner — Patricia Palasik

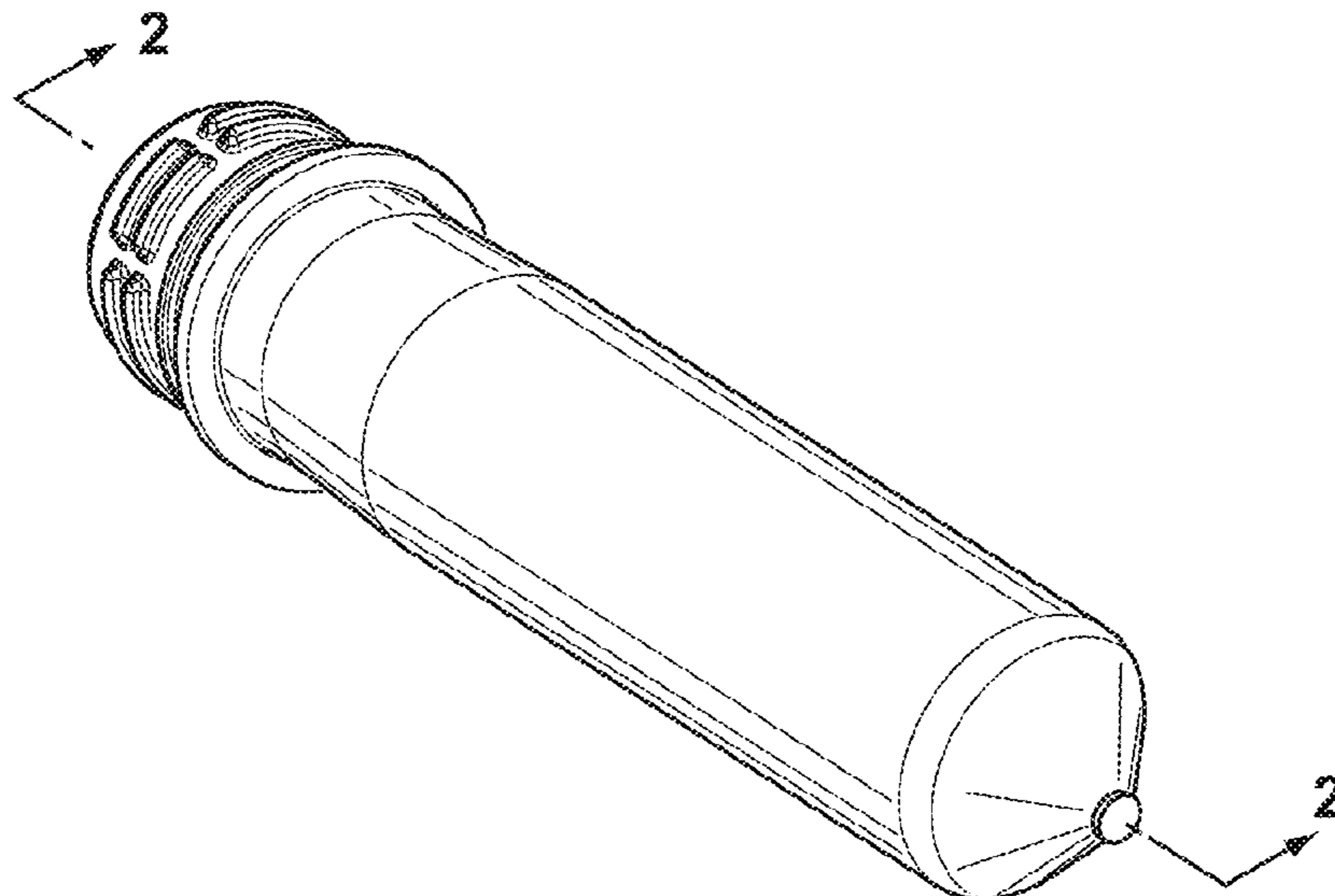
(57) **CLAIM**

We claim the ornamental design for a gate portion of a preform, as shown and described.

DESCRIPTION

FIG. 1 depicts a perspective view of the preform having a gate portion design according to a second embodiment; and, FIG. 2 depicts a cross-sectional view of the preform taken along line 2-2 of FIG. 1.

1 Claim, 1 Drawing Sheet



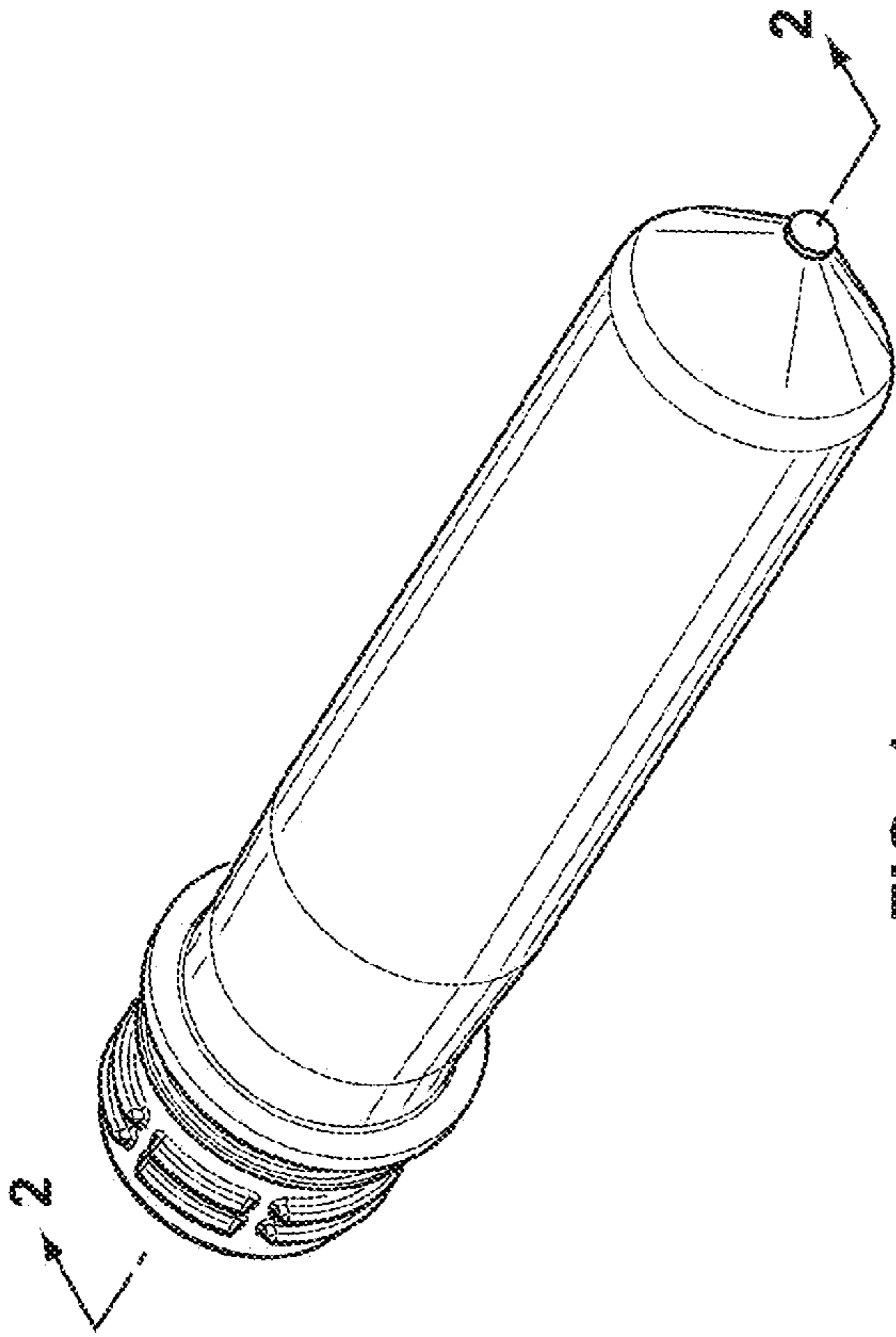


FIG. 1

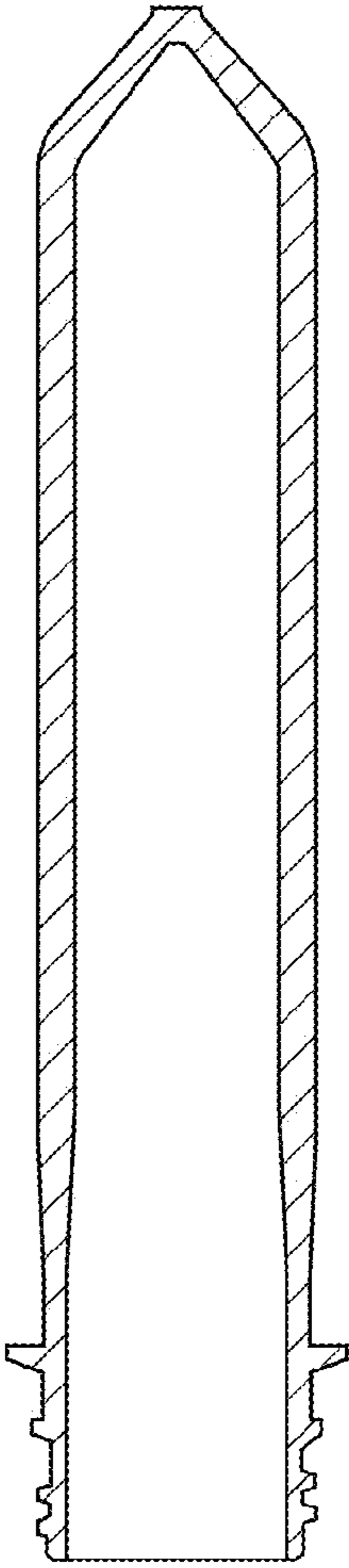


FIG. 2