



US00D702737S

(12) **United States Design Patent**  
**Feng**

(10) **Patent No.:** **US D702,737 S**  
(45) **Date of Patent:** **\*\* Apr. 15, 2014**

(54) **PAINT-SPRAYING PUMP**

(71) Applicant: **Xinghuo Feng**, Ningbo (CN)

(72) Inventor: **Xinghuo Feng**, Ningbo (CN)

(\*\*) Term: **14 Years**

(21) Appl. No.: **29/444,612**

(22) Filed: **Jan. 31, 2013**

(30) **Foreign Application Priority Data**

Sep. 27, 2012 (CN) ..... 2012 3 0474259

(51) **LOC (10) Cl.** ..... **15-02**

(52) **U.S. Cl.**  
USPC ..... **D15/7**

(58) **Field of Classification Search**  
USPC ..... D15/7-9; D23/231, 232, 225; 417/60,  
417/235, 265, 321, 355, 358, 363, 359,  
417/410.1, 415-416, 405, 900; 60/408,  
60/412; 184/26-37; 415/140-147;  
123/495, 509; D24/111  
See application file for complete search history.

(56) **References Cited**

**U.S. PATENT DOCUMENTS**

D236,164 S \* 7/1975 Manno ..... D24/111  
D429,736 S \* 8/2000 Flynn ..... D15/7

D480,093 S \* 9/2003 Attolini ..... D15/9  
D512,440 S \* 12/2005 Wang ..... D15/7  
D588,160 S \* 3/2009 Beale et al. .... D15/7  
D609,634 S \* 2/2010 Daniels et al. .... D13/107  
D643,857 S \* 8/2011 Wu et al. .... D15/7  
D677,281 S \* 3/2013 Muller et al. .... D15/7  
D682,318 S \* 5/2013 Goh ..... D15/9

\* cited by examiner

*Primary Examiner* — Ralf Seifert

(74) *Attorney, Agent, or Firm* — Fish & Richardson P.C.

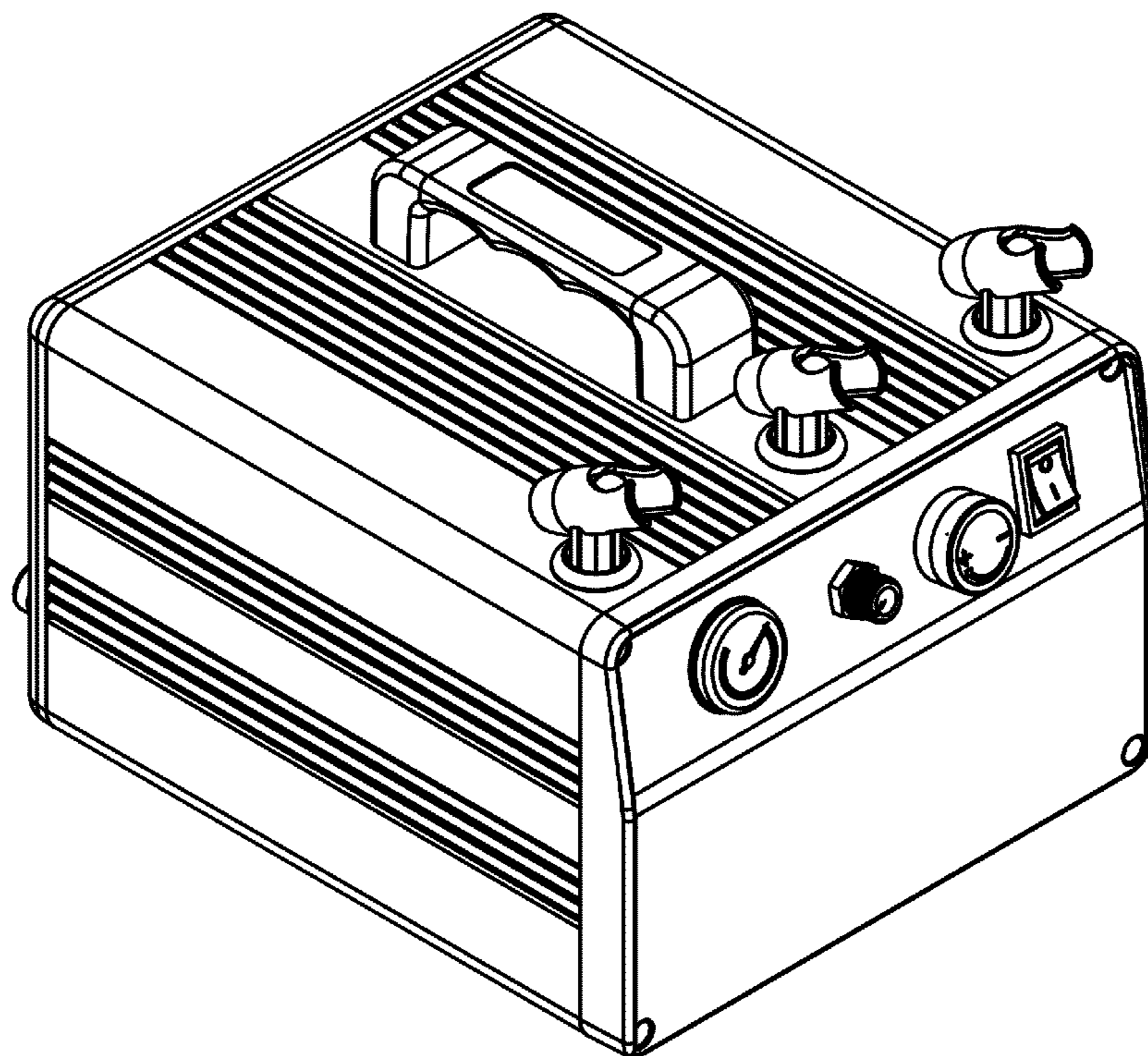
(57) **CLAIM**

The ornamental design for a paint-spraying pump, as shown and described.

**DESCRIPTION**

FIG. 1 is a front elevational view of a paint-spraying pump; FIG. 2 is a rear elevational view thereof; FIG. 3 is a left side elevational view thereof; FIG. 4 is a right side elevational view thereof; FIG. 5 is a top plan view thereof; FIG. 6 is a bottom plan view thereof; and, FIG. 7 is a perspective thereof. The broken lines in FIG. 2 are included for the purpose of illustrating portions of the paint spraying pump that form no part of the claimed design.

**1 Claim, 7 Drawing Sheets**



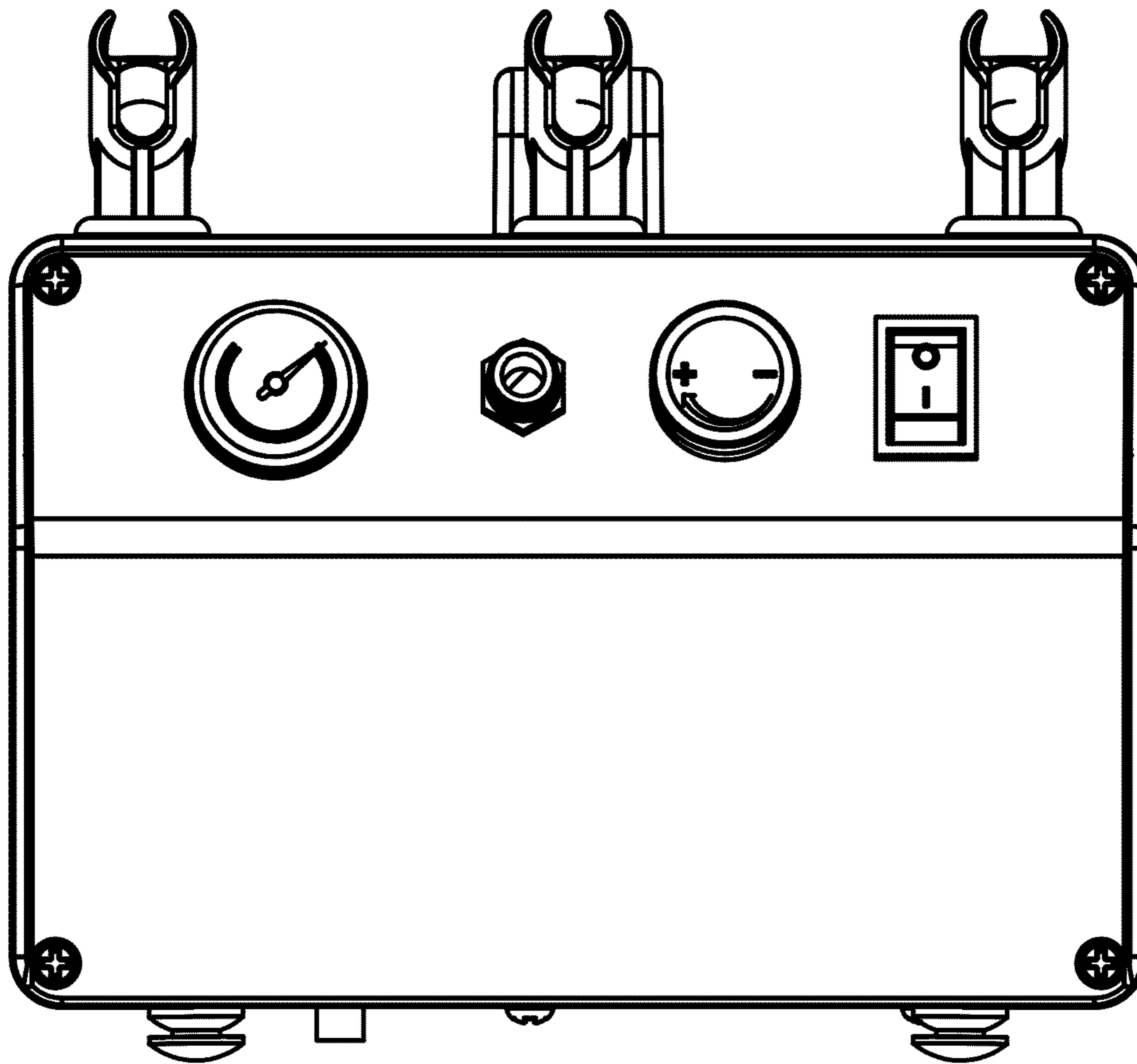


FIG. 1

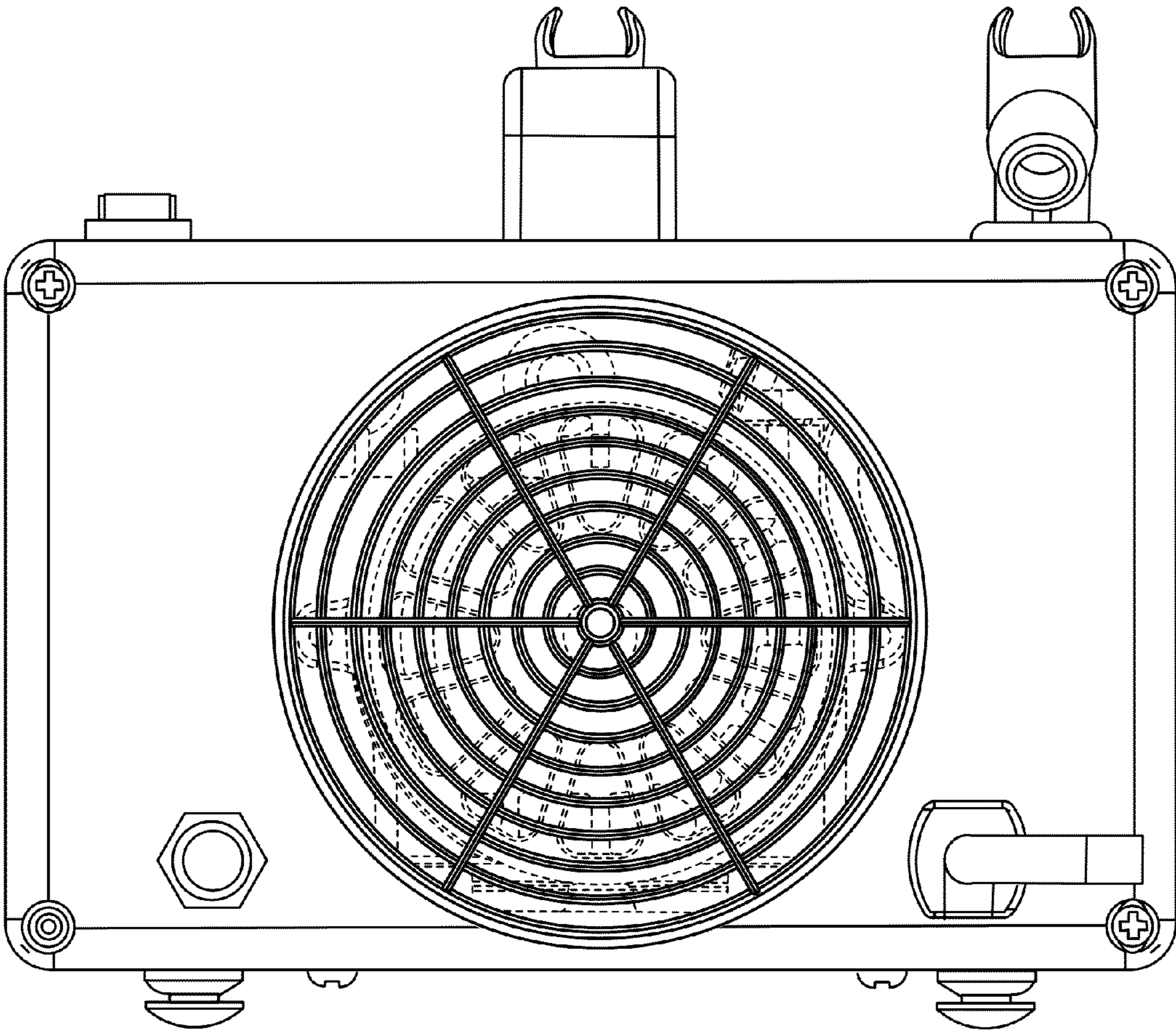


FIG. 2

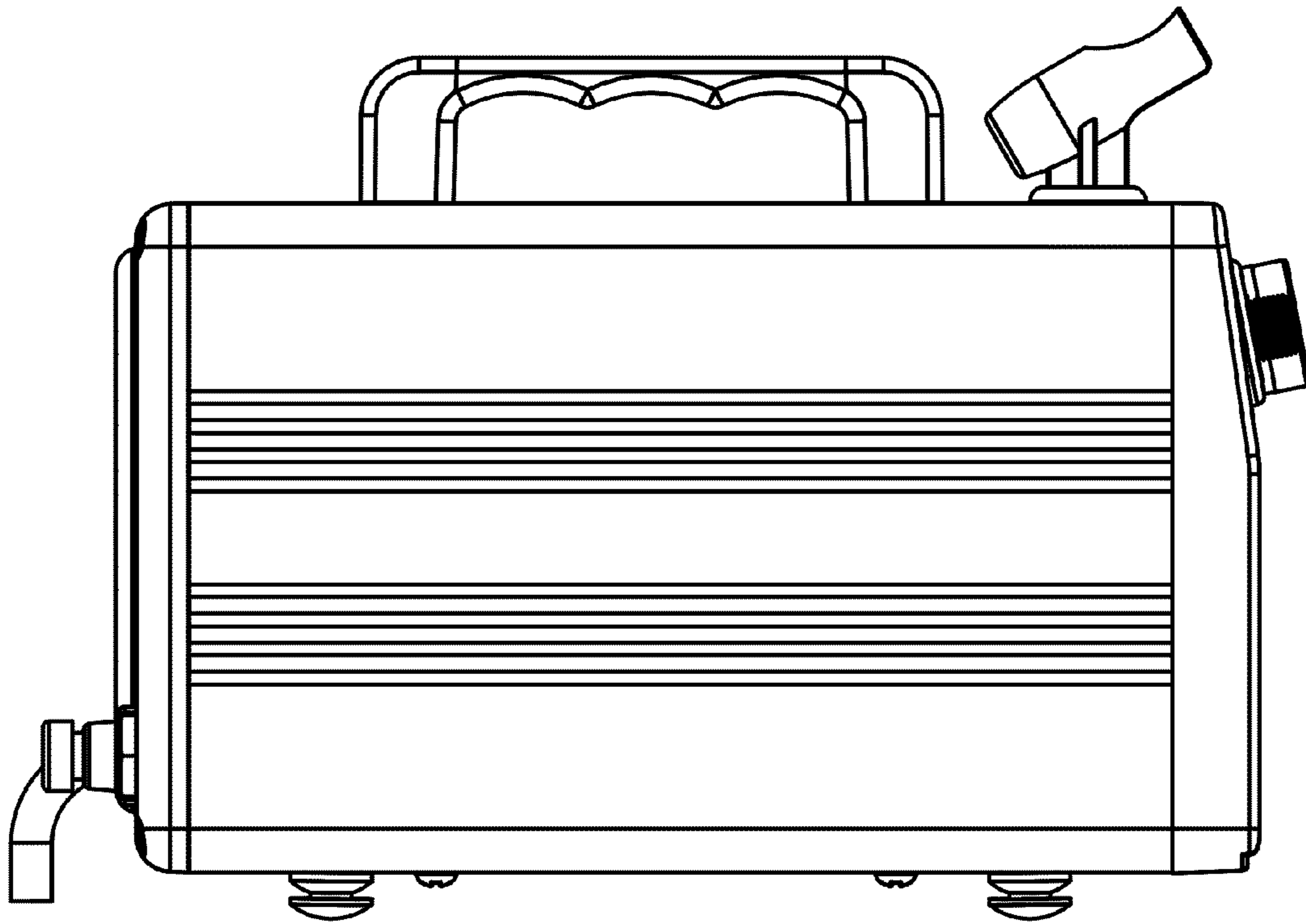


FIG. 3

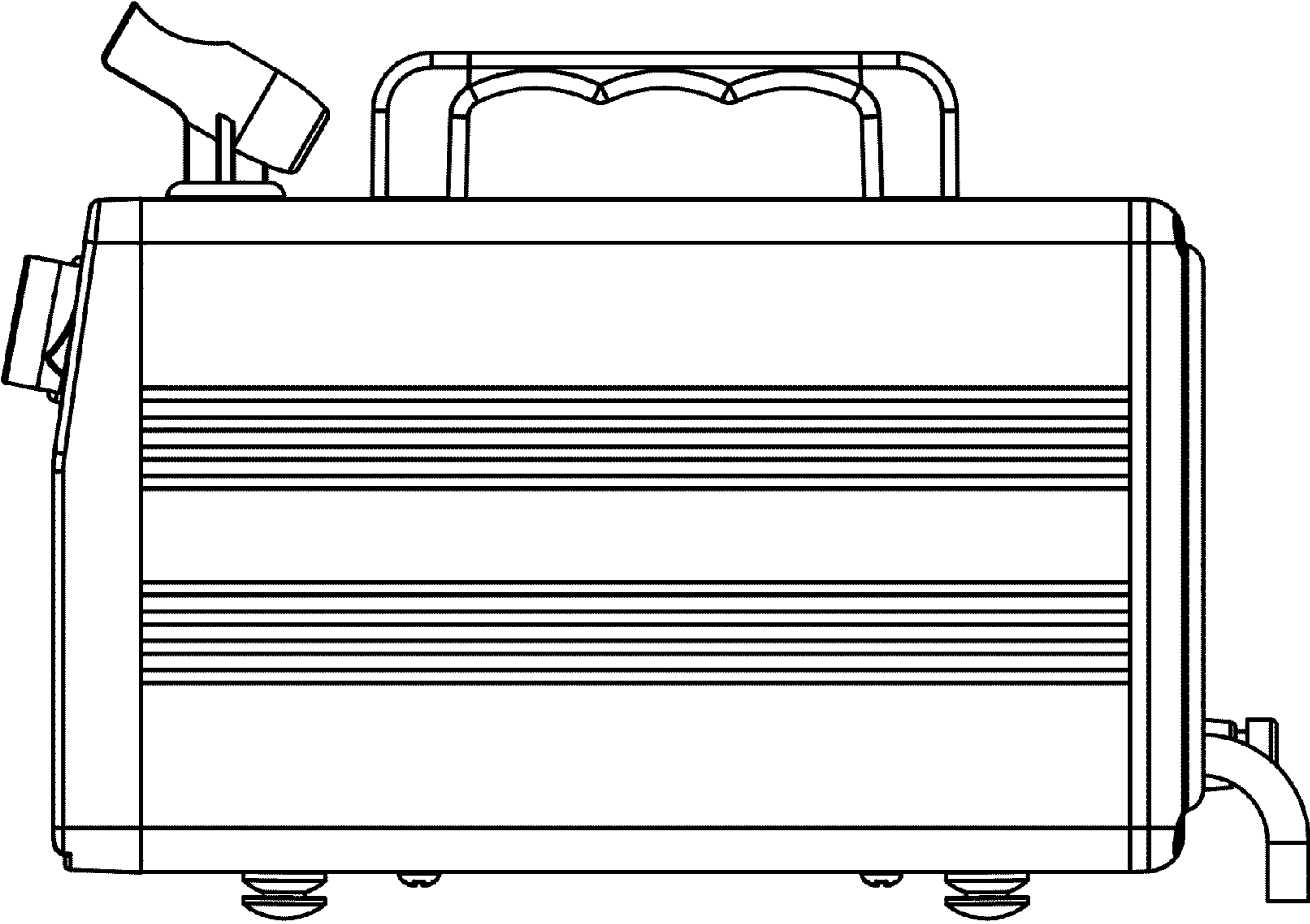


FIG. 4

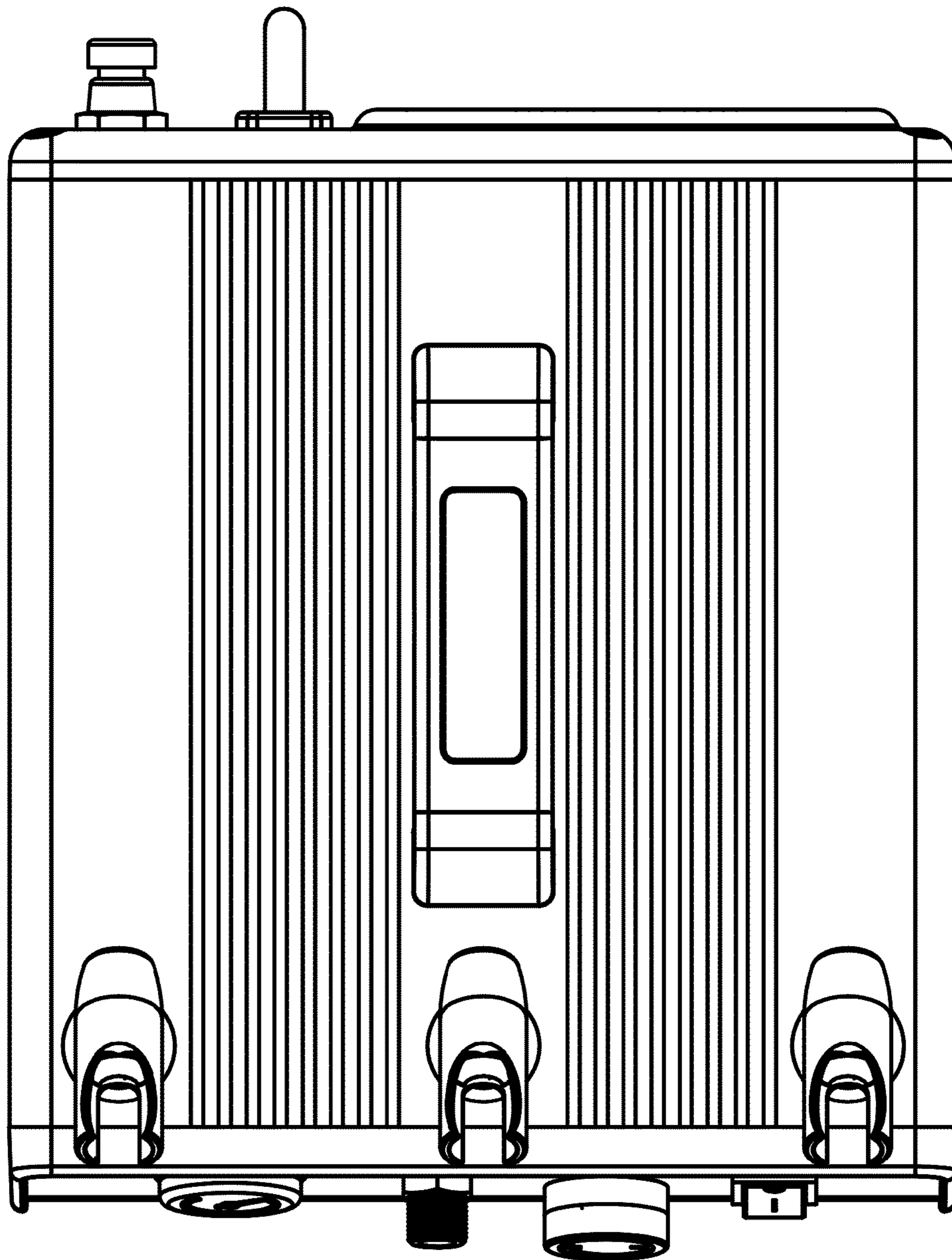


FIG. 5

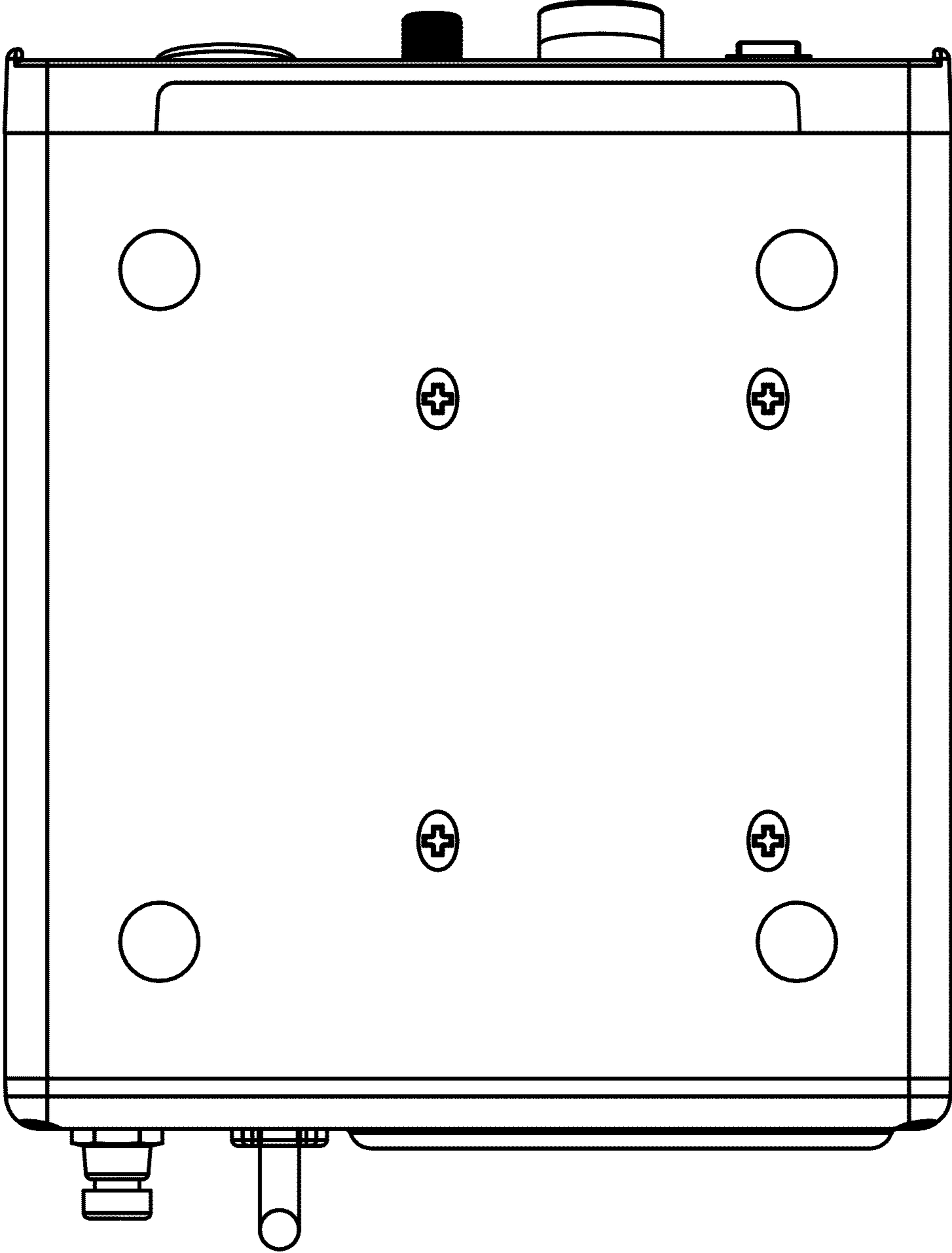


FIG. 6

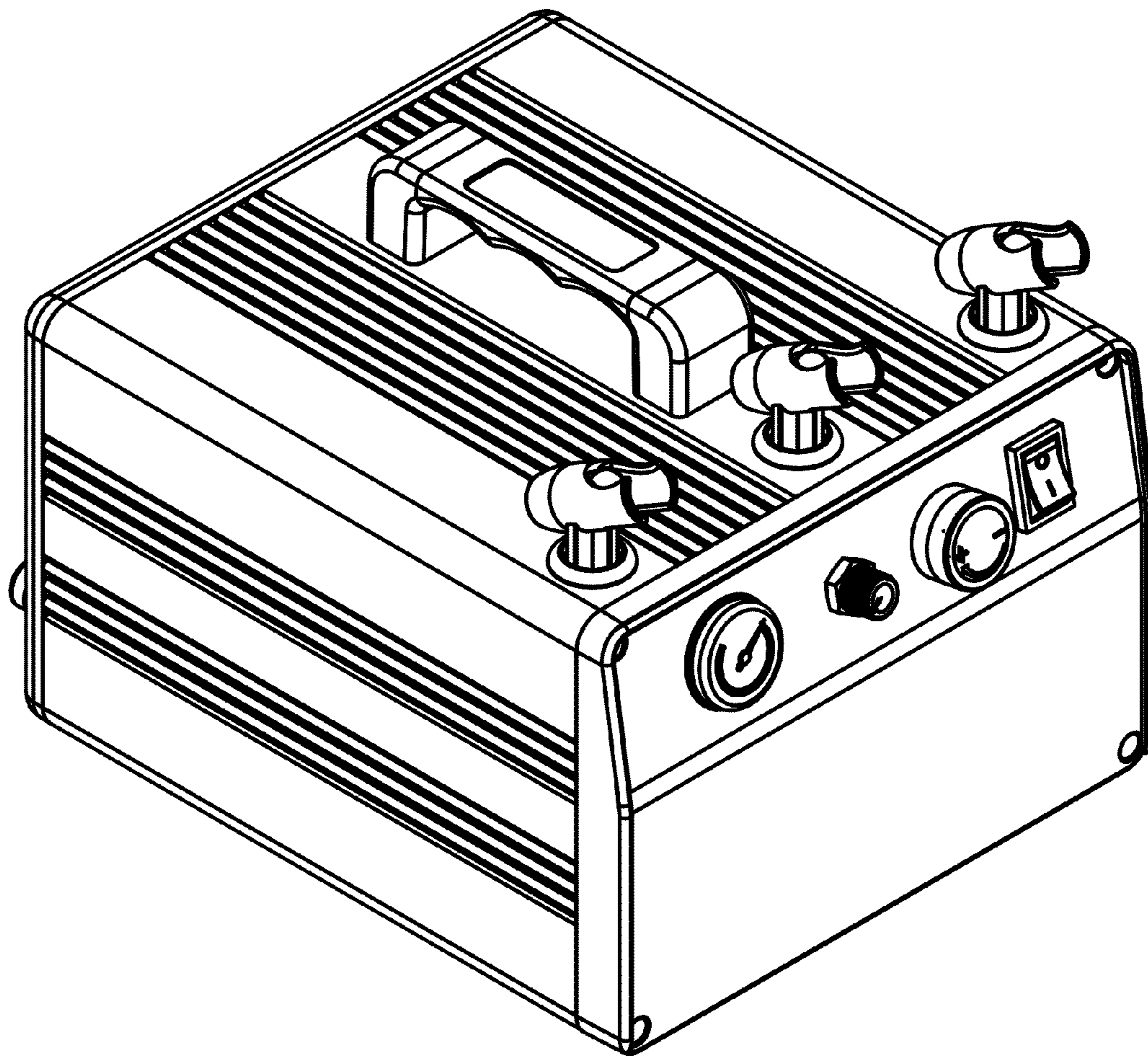


FIG. 7