



US00D702735S

(12) **United States Design Patent**
Sandou et al.

(10) **Patent No.:** **US D702,735 S**

(45) **Date of Patent:** **** Apr. 15, 2014**

(54) **EXHAUST GAS PURIFYING DEVICE**

(71) Applicant: **Yanmar Co., Ltd.**, Osaka (JP)

(72) Inventors: **Yoshiyuki Sandou**, Osaka (JP); **Satoshi Nakano**, Osaka (JP); **Koutarou Mori**, Osaka (JP)

(73) Assignee: **Yanmar Co., Ltd.**, Osaka (JP)

(**) Term: **14 Years**

(21) Appl. No.: **29/448,545**

(22) Filed: **Mar. 13, 2013**

(30) **Foreign Application Priority Data**

Sep. 14, 2012 (JP) 2012-022324

(51) **LOC (10) Cl.** **15-01**

(52) **U.S. Cl.**
USPC **D15/5**

(58) **Field of Classification Search**
USPC D15/1-5; 422/179, 177, 211, 213;
136/253; 60/302, 299; D12/400, 194
See application file for complete search history.

(56) **References Cited**

U.S. PATENT DOCUMENTS

4,299,600 A * 11/1981 Kobashi 96/403
D361,770 S * 8/1995 Barreiro D15/5
2002/0076362 A1 * 6/2002 Hardesty et al. 422/168
2003/0221360 A1 * 12/2003 Brown et al. 44/301
2006/0089255 A1 * 4/2006 Matsuo et al. 502/303

2006/0177359 A1 * 8/2006 Sinha et al. 422/179
2008/0209729 A1 * 9/2008 Tursky 29/890
2009/0025376 A1 * 1/2009 Ahmed 60/299

* cited by examiner

Primary Examiner — T. Chase Nelson

Assistant Examiner — Ania Aman

(74) *Attorney, Agent, or Firm* — Jordan and Hamburg LLP

(57) **CLAIM**

The ornamental design for a exhaust gas purifying device, as shown and described.

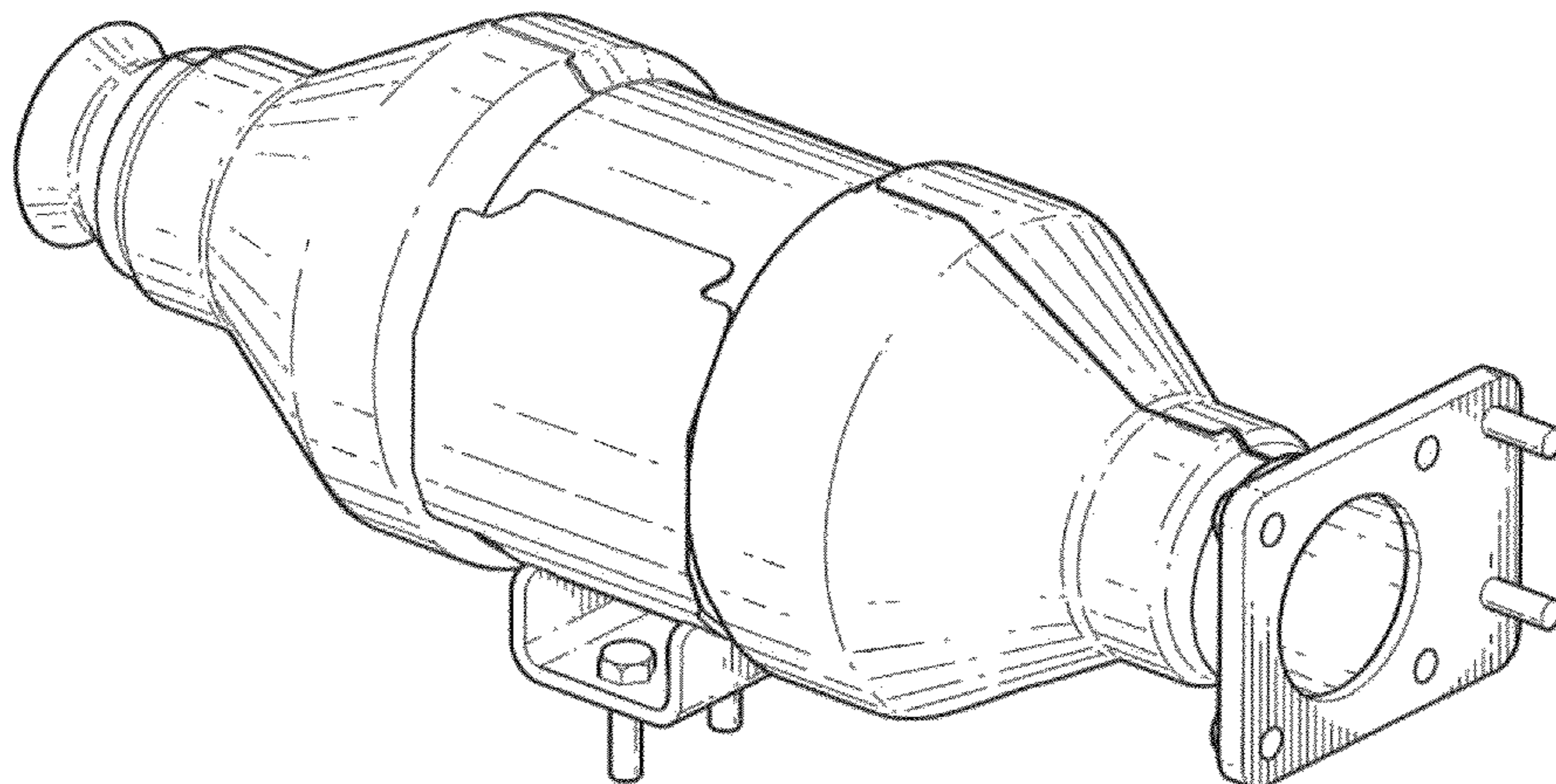
DESCRIPTION

FIG. 1 is a front side perspective view of an exhaust gas purifying device showing our new design; FIG. 2 is a front elevational view thereof; FIG. 3 is a rear elevational view thereof; FIG. 4 is a top plan view thereof; FIG. 5 is a bottom plan view thereof; FIG. 6 is a right side elevational view thereof; FIG. 7 is a left side elevational view thereof; and, FIG. 8 is a perspective view thereof showing use of our new design.

In the drawings, the broken lines depict unclaimed subject matter only and form no part of the claimed design.

The present article is an exhaust gas purifying device which is mounted to a diesel engine or the like. The exhaust gas purifying device is provided with an oxidation catalyst portion, an exhaust gas inlet pipe which is connected to an exhaust pipe of the diesel engine or the like, and an exhaust gas outlet pipe which connects a tail pipe, and the exhaust gas purifying device is attached to an oil sump of the diesel engine.

1 Claim, 7 Drawing Sheets



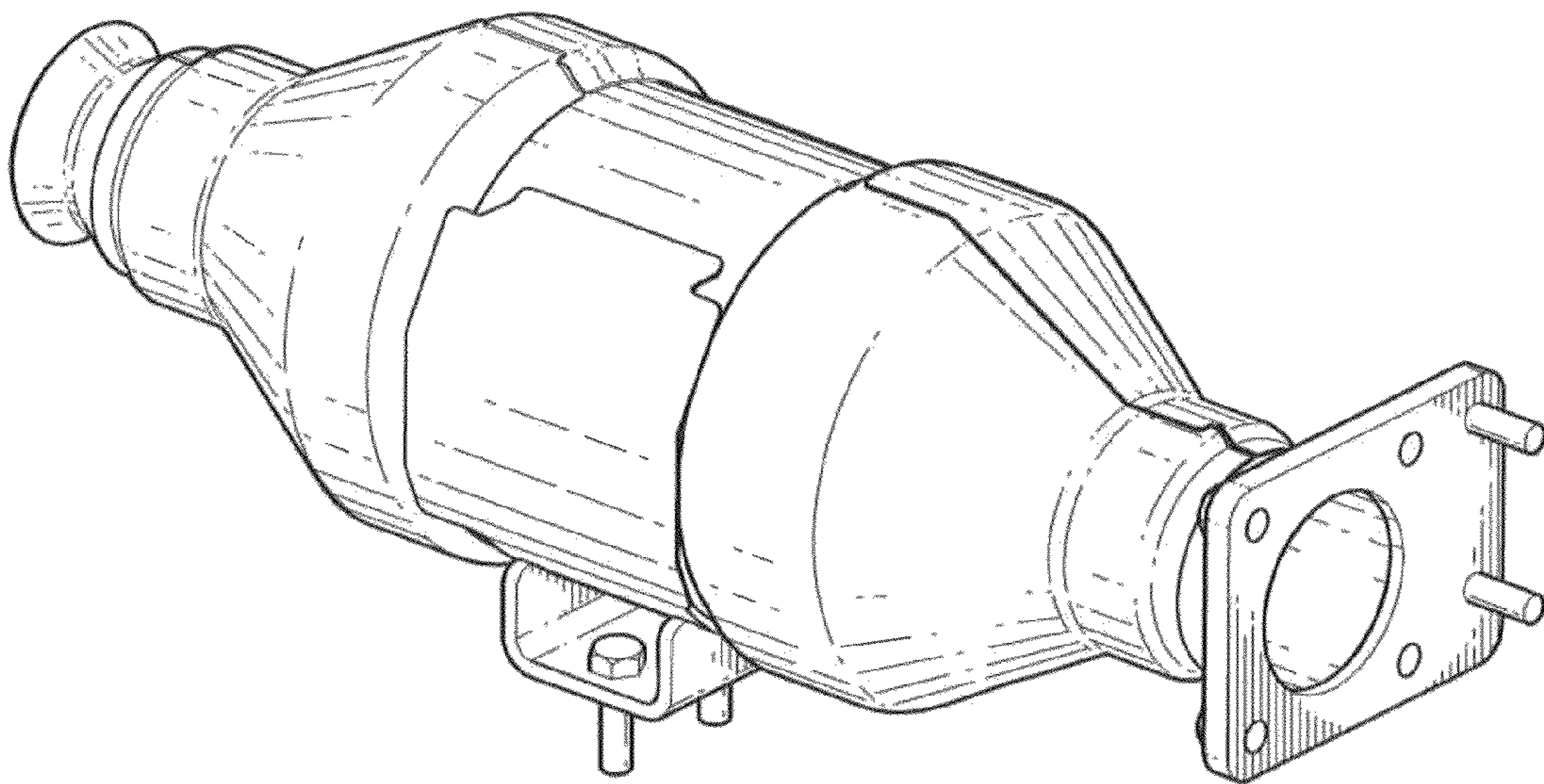


FIG. 1

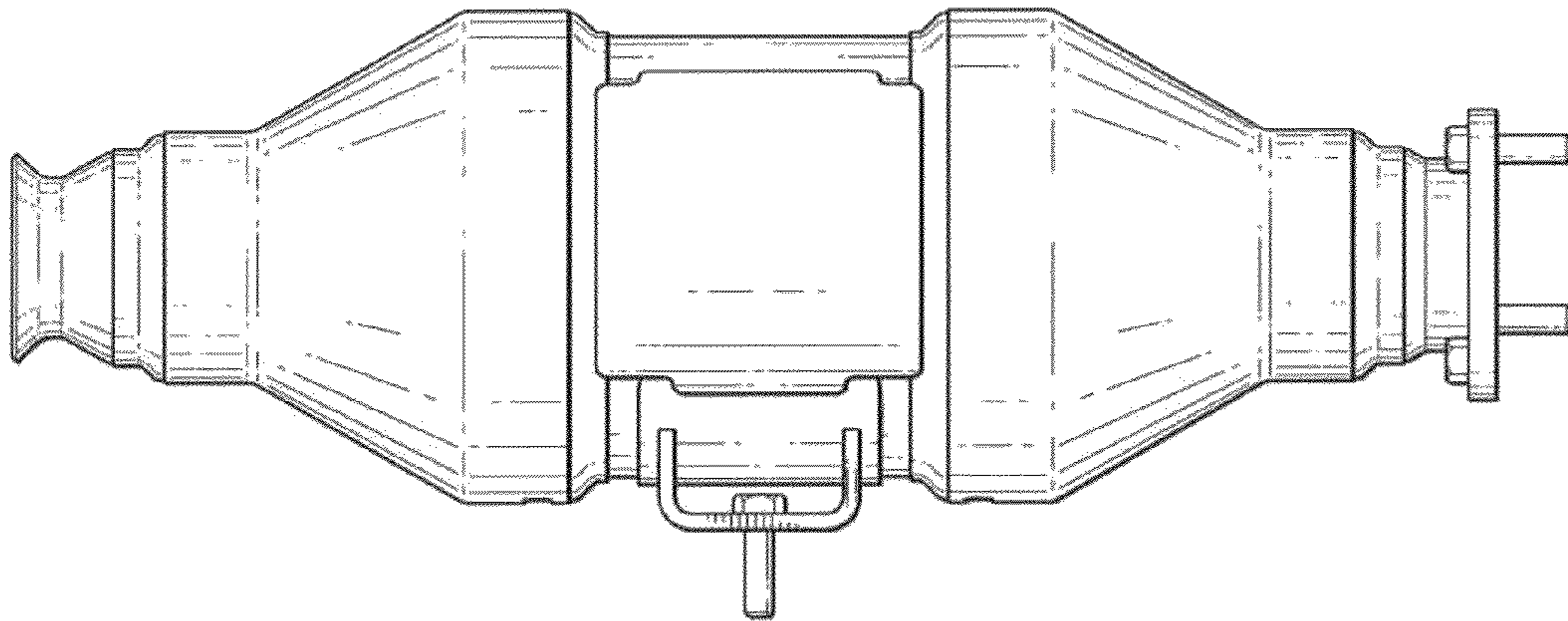


FIG. 2

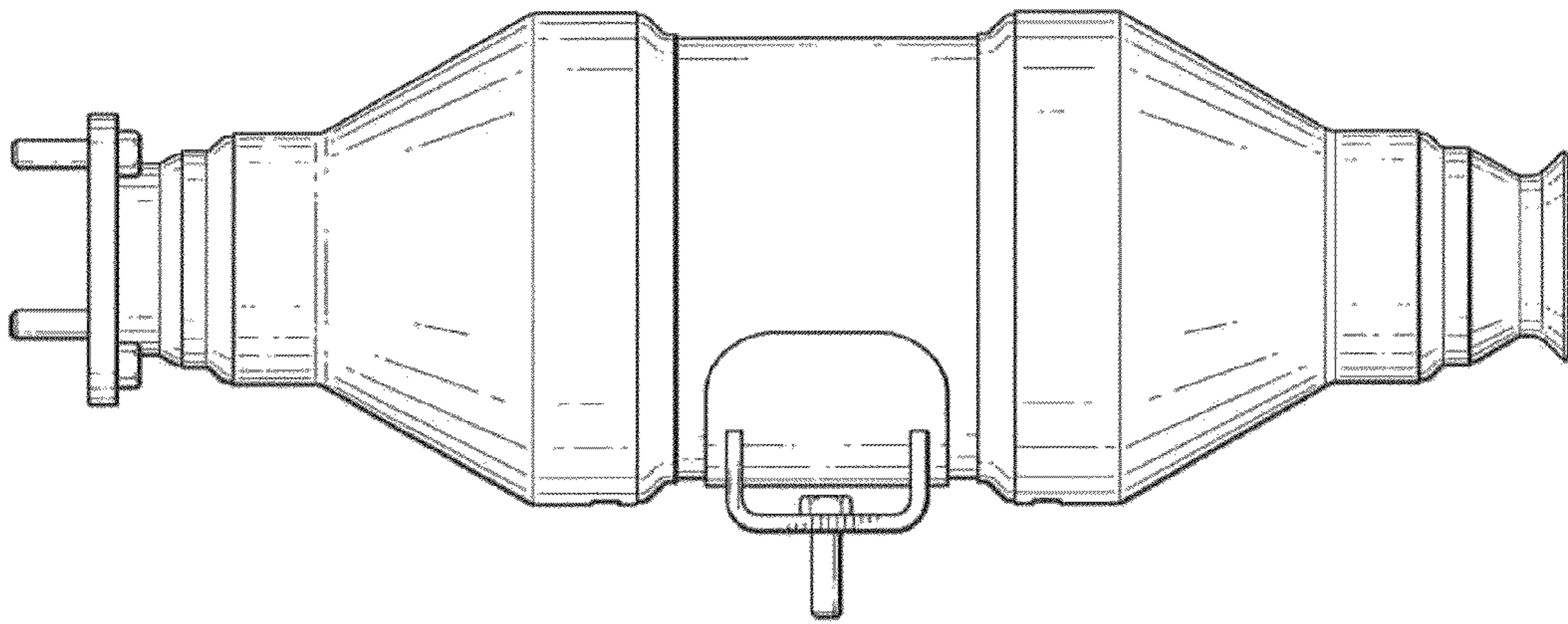


FIG. 3

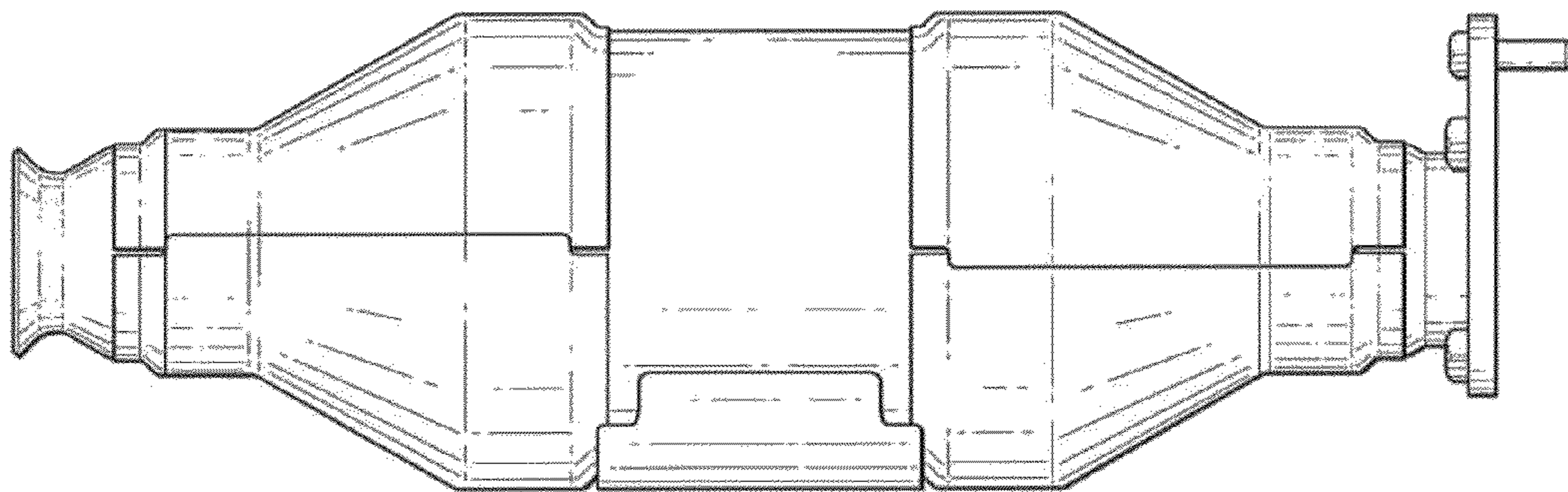


FIG. 4

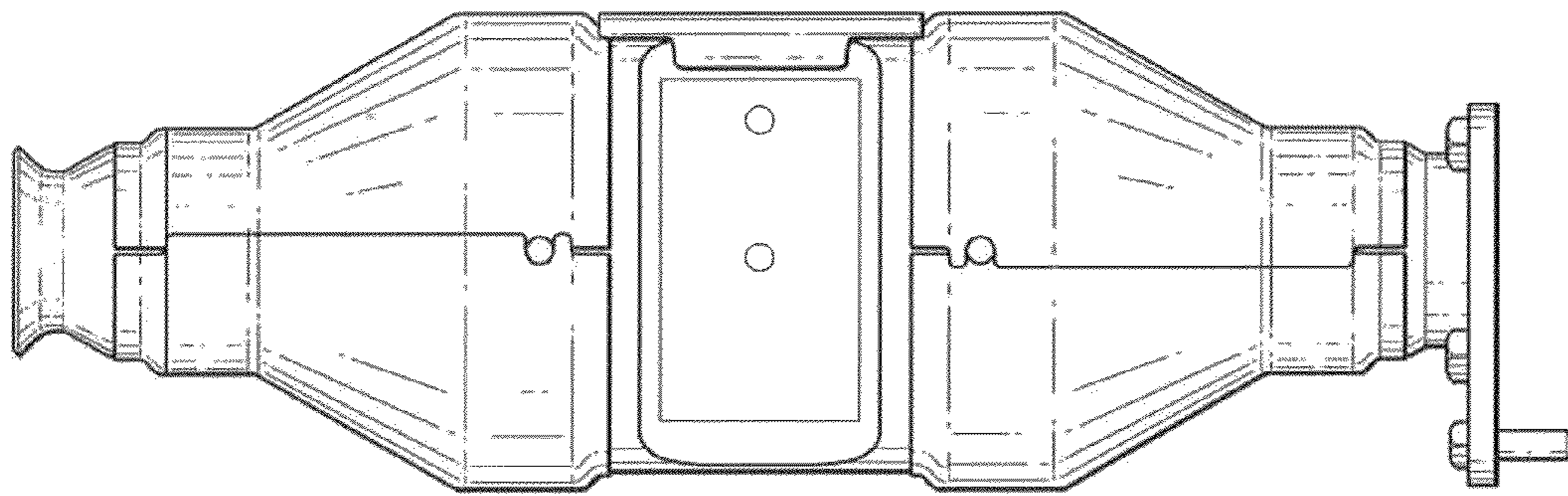


FIG. 5

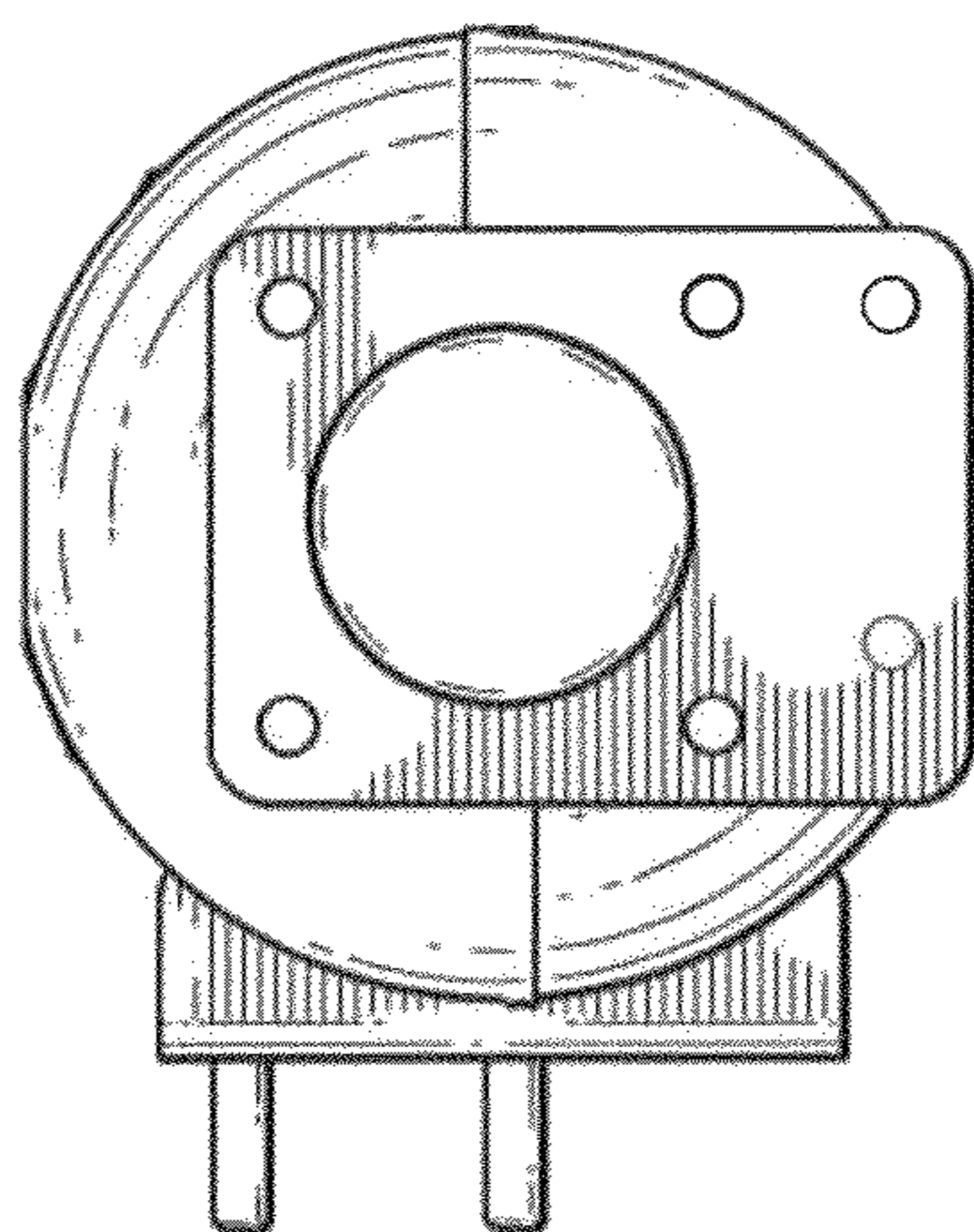


FIG. 6

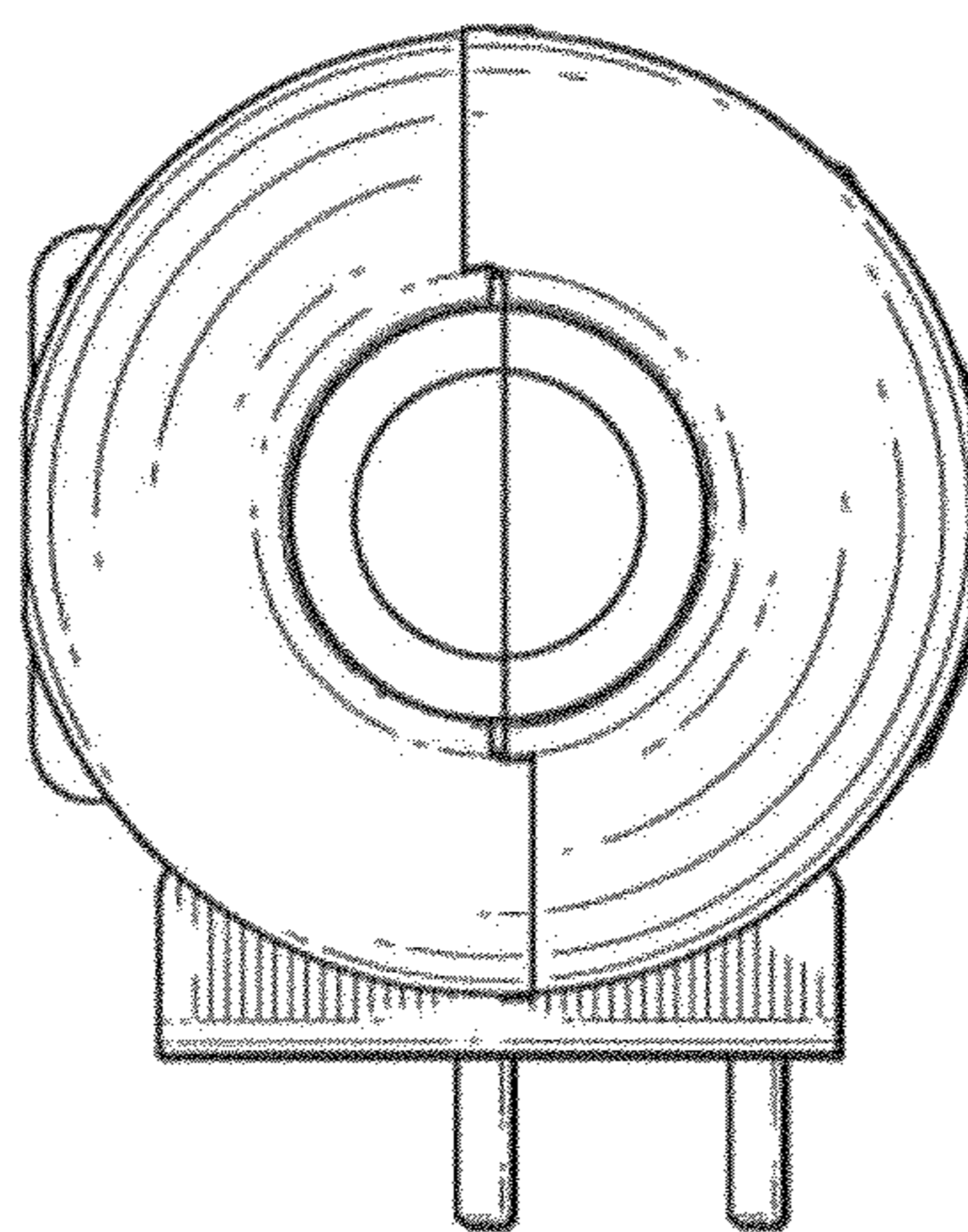


FIG. 7

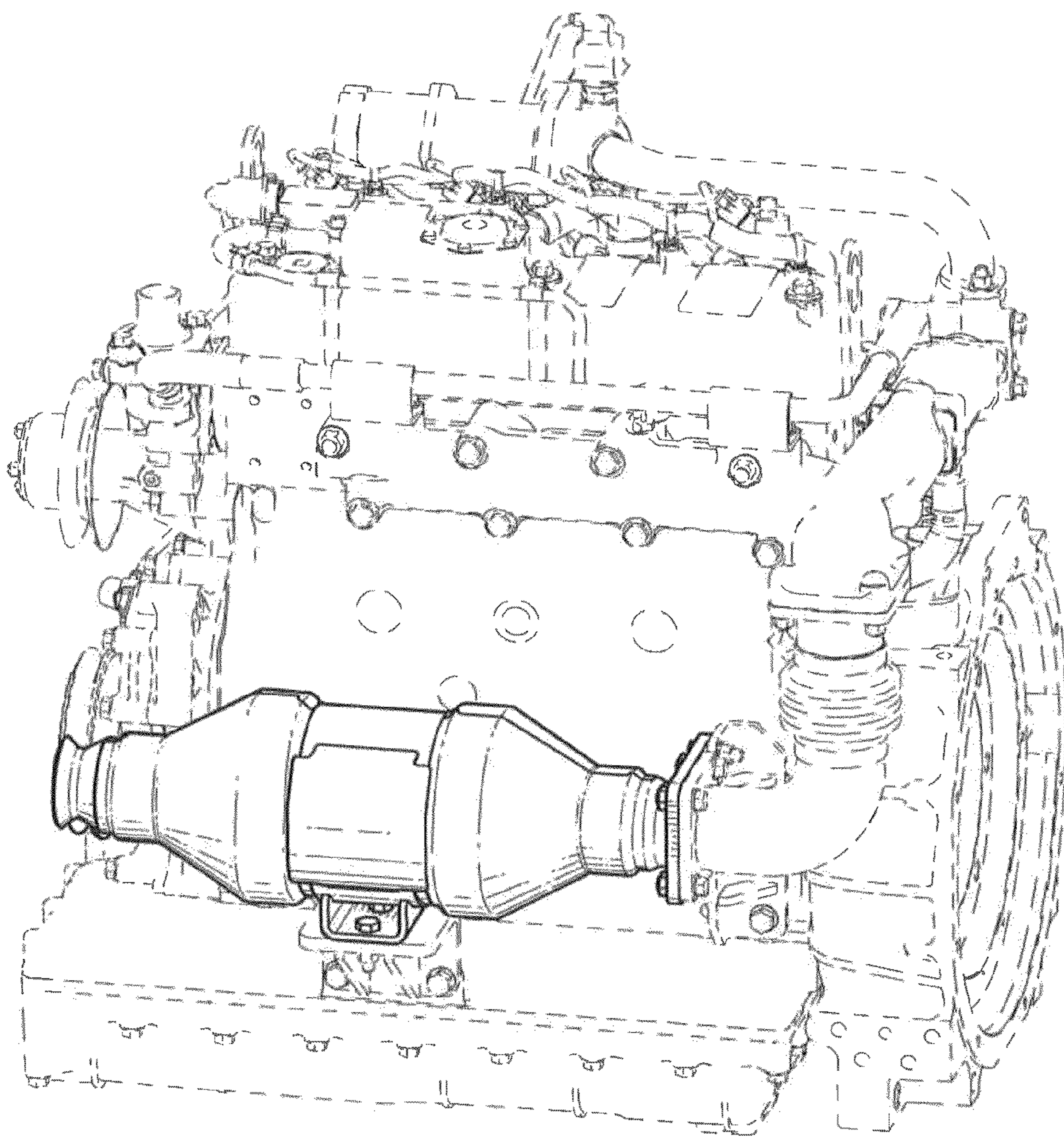


FIG. 8