



US00D702734S

(12) **United States Design Patent**  
**Han et al.**

(10) **Patent No.:** **US D702,734 S**  
(45) **Date of Patent:** **\*\* Apr. 15, 2014**

(54) **BLU-RAY DISK PLAYER**  
(75) Inventors: **Kyu-Mi Han**, Seoul (KR); **Sung-Jin Ann**, Seoul (KR)

D652,056 S \* 1/2012 Chung ..... D14/500  
D656,958 S \* 4/2012 Lee et al. .... D14/500  
D656,959 S \* 4/2012 Lee et al. .... D14/500  
D662,905 S \* 7/2012 Bang et al. .... D14/125  
D686,207 S \* 7/2013 Lewis et al. .... D14/358

(73) Assignee: **Samsung Electronics Co., Ltd.**,  
Suwon-si, Gyeonggi-do (KR)

(\*\*) Term: **14 Years**

(21) Appl. No.: **29/426,211**

(22) Filed: **Jul. 2, 2012**

(30) **Foreign Application Priority Data**

Jan. 16, 2012 (KR) ..... 30-2012-0002074

(51) **LOC (10) Cl.** ..... **14-03**

(52) **U.S. Cl.**  
USPC ..... **D14/503**

(58) **Field of Classification Search**  
USPC ..... D13/184; D14/125, 160, 168, 184, 188,  
D14/217, 257, 258, 260, 363-368, 496, 497,  
D14/500, 502-504; 361/679.31, 679.32,  
361/679.38; 369/75.11  
See application file for complete search history.

(56) **References Cited**

**U.S. PATENT DOCUMENTS**

D393,637 S \* 4/1998 Franek ..... D14/125  
D396,690 S \* 8/1998 Fryers ..... D13/147  
D472,882 S \* 4/2003 Moye et al. .... D13/162

**OTHER PUBLICATIONS**

U.S. Appl. No. 29/374 117, Applicant: Ju-Won Cho, et al., filed Jul. 5, 2011 entitled Blu-Ray Disk Player.

\* cited by examiner

*Primary Examiner* — Thomas Johannes

*Assistant Examiner* — Janice Lim

(74) *Attorney, Agent, or Firm* — Flynn, Thiel, Boutell & Tanis, P.C.

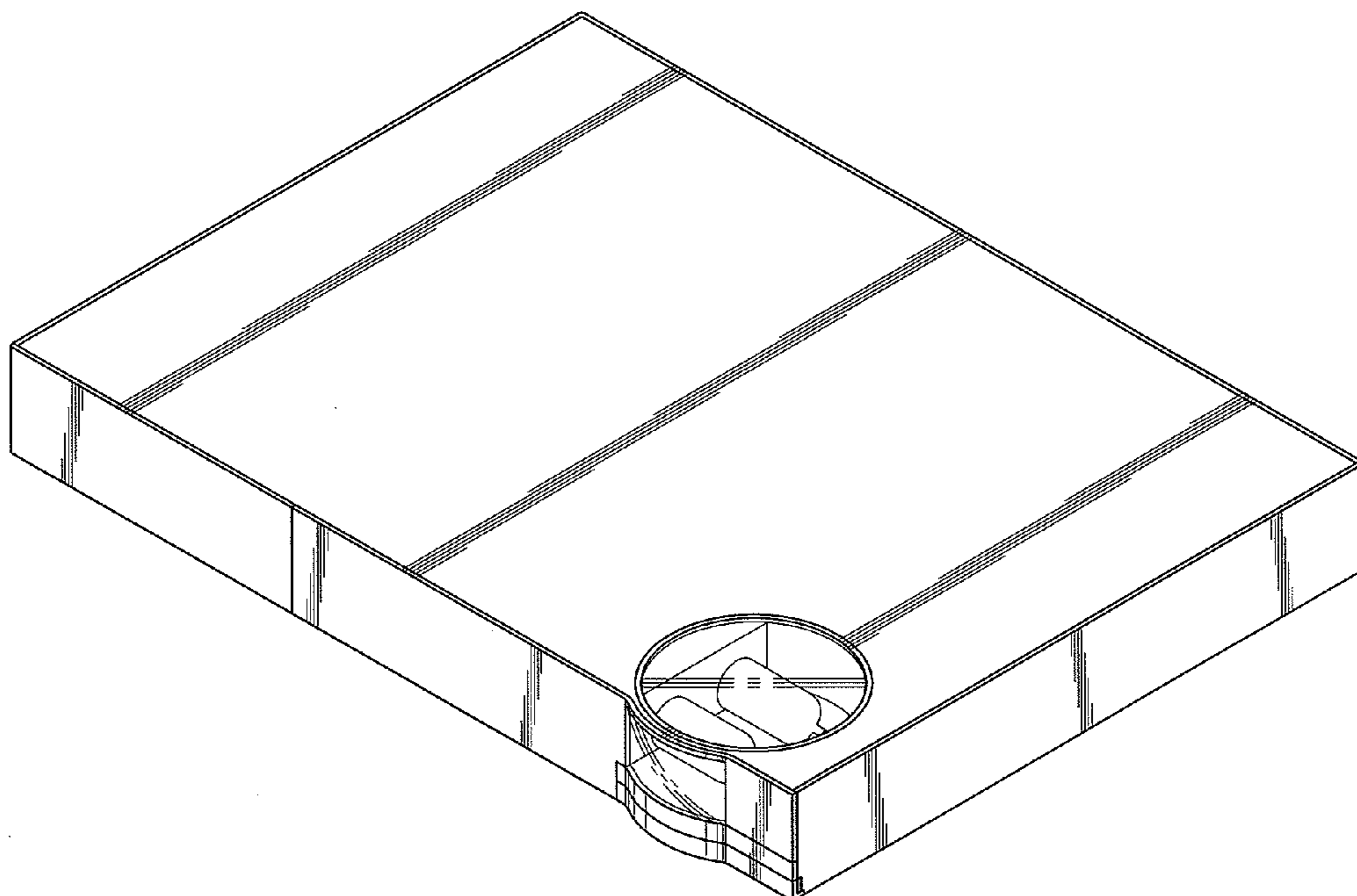
(57) **CLAIM**

The ornamental design for a blu-ray disk player, as shown and described.

**DESCRIPTION**

FIG. 1 is a top front perspective view of a blu-ray disk player showing our new design;  
FIG. 2 is a front elevation view thereof;  
FIG. 3 is a rear elevation view thereof;  
FIG. 4 is a left side elevation view thereof;  
FIG. 5 is a right side elevation view thereof;  
FIG. 6 is a top plan view thereof; and,  
FIG. 7 is a bottom plan view thereof.

**1 Claim, 3 Drawing Sheets**



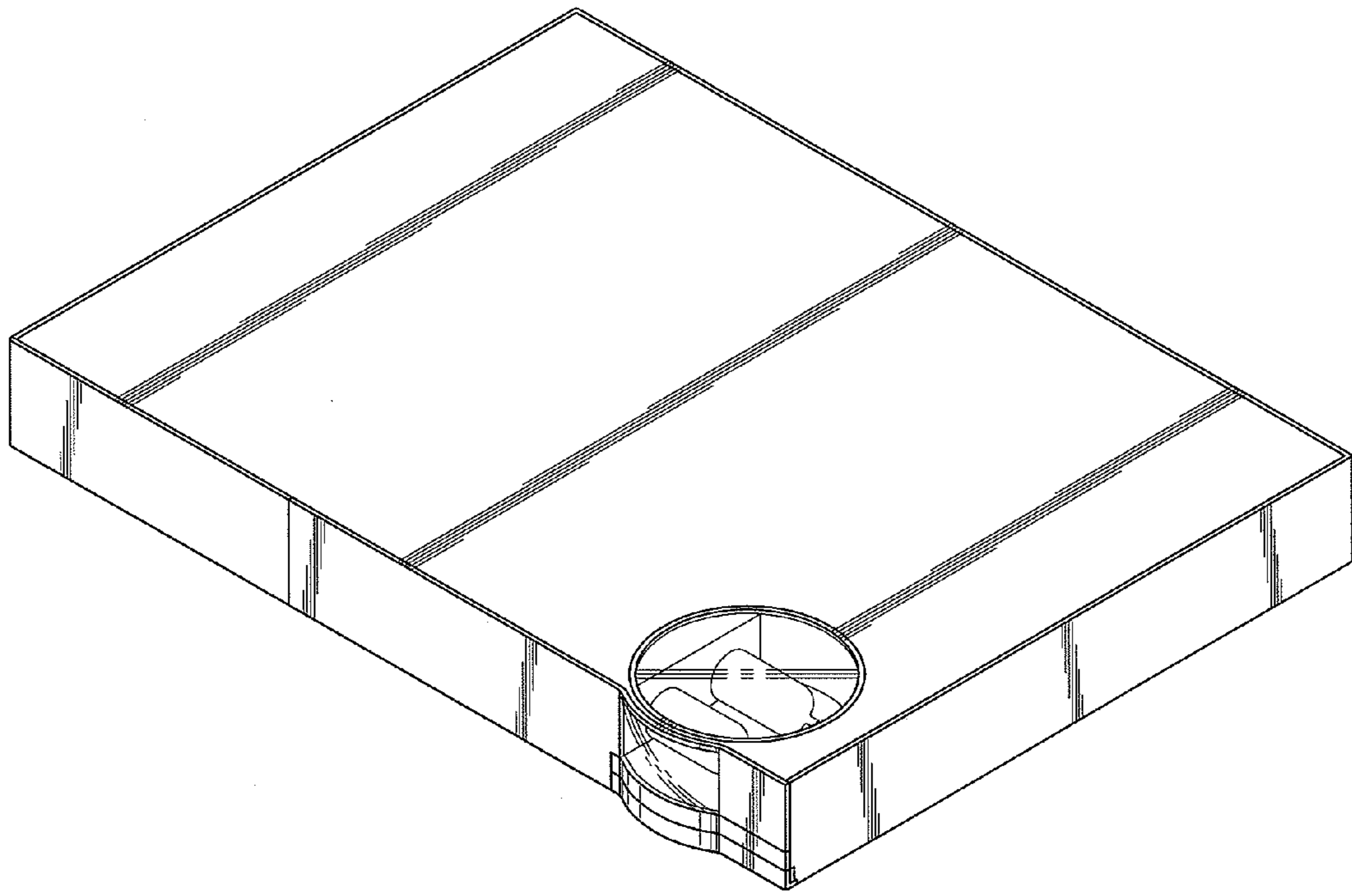


FIG.1

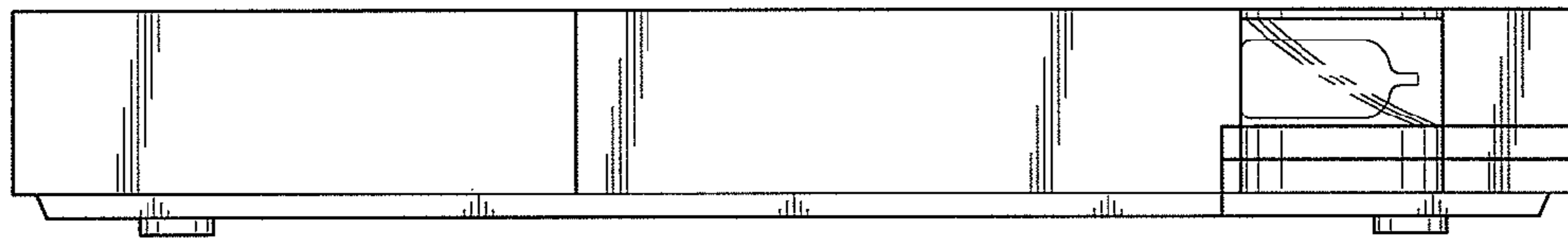


FIG. 2

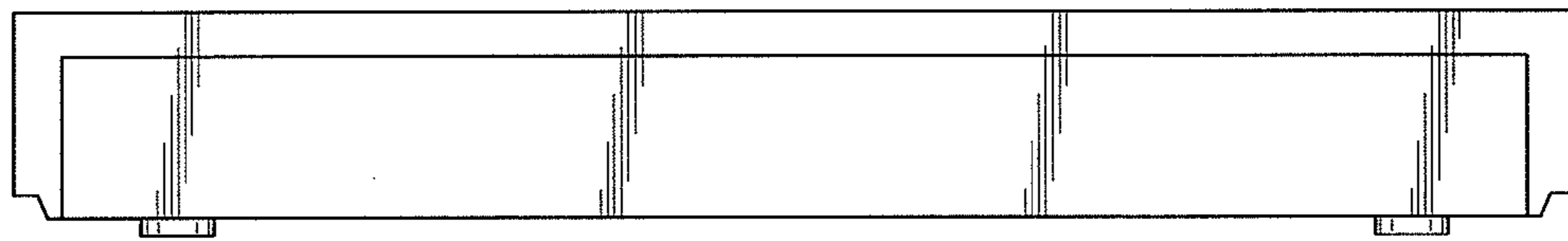


FIG. 3

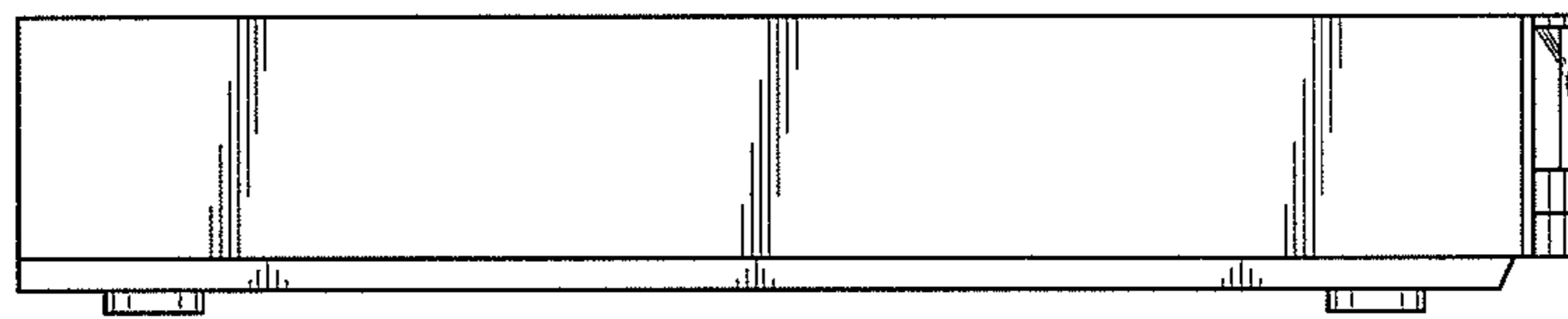


FIG. 4

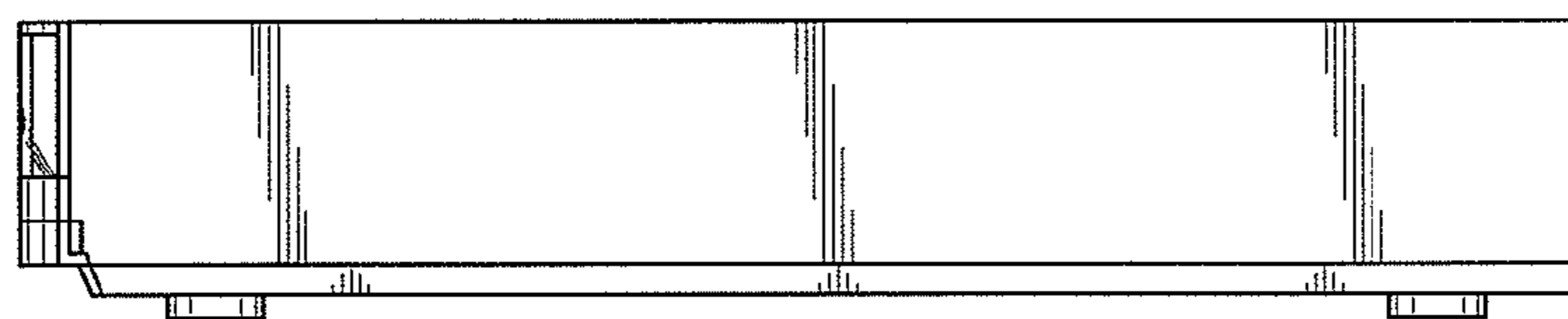


FIG. 5

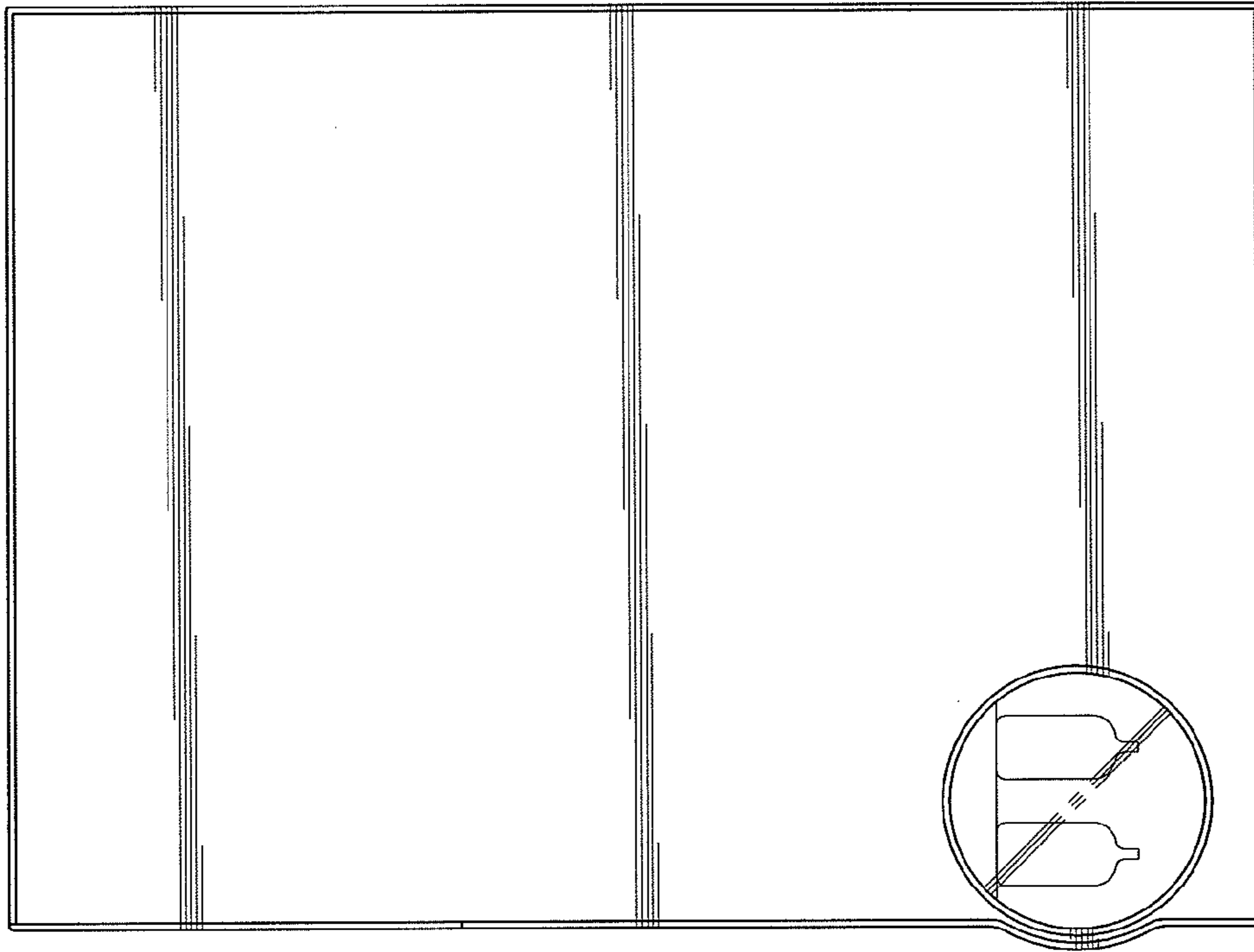


FIG. 6

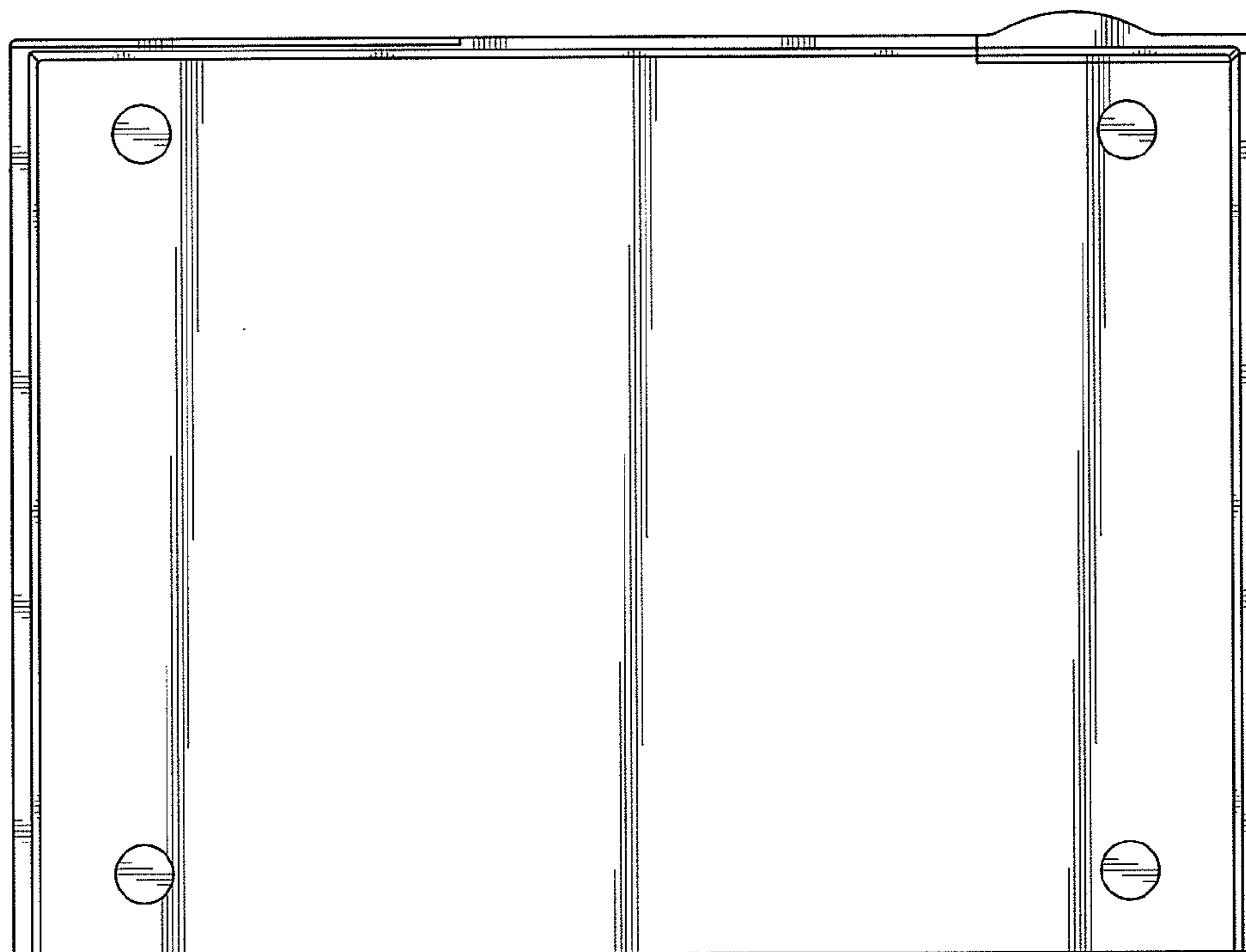


FIG. 7