



US00D702726S

(12) **United States Design Patent**
Jang et al.

(10) **Patent No.:** **US D702,726 S**

(45) **Date of Patent:** **** *Apr. 15, 2014**

(54) **DISPLAY SCREEN PORTION WITH ICON**

(75) Inventors: **Chul-Ho Jang**, Seoul (KR); **Jee-Yeun Wang**, Seoul (KR); **Hyung-Joo Jin**, Seoul (KR)

(73) Assignee: **Samsung Electronic Co., Ltd.**, Suwon-si (KR)

(*) Notice: This patent is subject to a terminal disclaimer.

(**) Term: **14 Years**

(21) Appl. No.: **29/428,712**

(22) Filed: **Aug. 2, 2012**

(30) **Foreign Application Priority Data**

Mar. 30, 2012 (KR) 30-2012-0015224

(51) **LOC (10) Cl.** **14-04**

(52) **U.S. Cl.**
USPC **D14/492**

(58) **Field of Classification Search**
USPC D14/485-495; 715/700, 703, 706, 715, 715/716, 727, 728, 772, 776, 777, 779, 810, 715/825, 834, 835, 836, 837, 838, 839, 840, 715/845, 846, 847, 849, 856, 857, 858, 859, 715/860, 861, 862, 864, 963, 976, 977;
D8/334

See application file for complete search history.

(56) **References Cited**

U.S. PATENT DOCUMENTS

D482,042 S * 11/2003 Peters D14/492
D512,072 S * 11/2005 Totten et al. D14/492

D581,424 S * 11/2008 Hong D14/486
D592,674 S * 5/2009 Kwag D14/486
D597,101 S * 7/2009 Chaudhri et al. D14/488
D601,166 S * 9/2009 Chen et al. D14/492
D611,494 S * 3/2010 Akiyoshi et al. D14/492
D646,695 S * 10/2011 Hoggarth et al. D14/488
D647,104 S * 10/2011 Steele et al. D14/492
D652,054 S * 1/2012 Anzures D14/492
2009/0251418 A1 * 10/2009 Cho 345/169
2010/0185989 A1 * 7/2010 Shiplacoff et al. 715/856
2012/0036459 A1 * 2/2012 Pei et al. 715/765

* cited by examiner

Primary Examiner — Angela J Lee

(74) *Attorney, Agent, or Firm* — NSIP Law

(57) **CLAIM**

The ornamental design for a display screen portion with icon, as shown and described.

DESCRIPTION

FIG. 1 is a front view of a display screen portion with icon, showing our new design; and,

FIG. 2 is a front view of a display screen portion with icon of FIG. 1, in which a mobile terminal in broken lines is provided to illustrate an example environment.

The broken line drawing of the mobile terminal, and the symbols and otherwise images shown in broken lines in FIG. 2 are for illustrative purposes only and form no part of the claimed design.

1 Claim, 2 Drawing Sheets

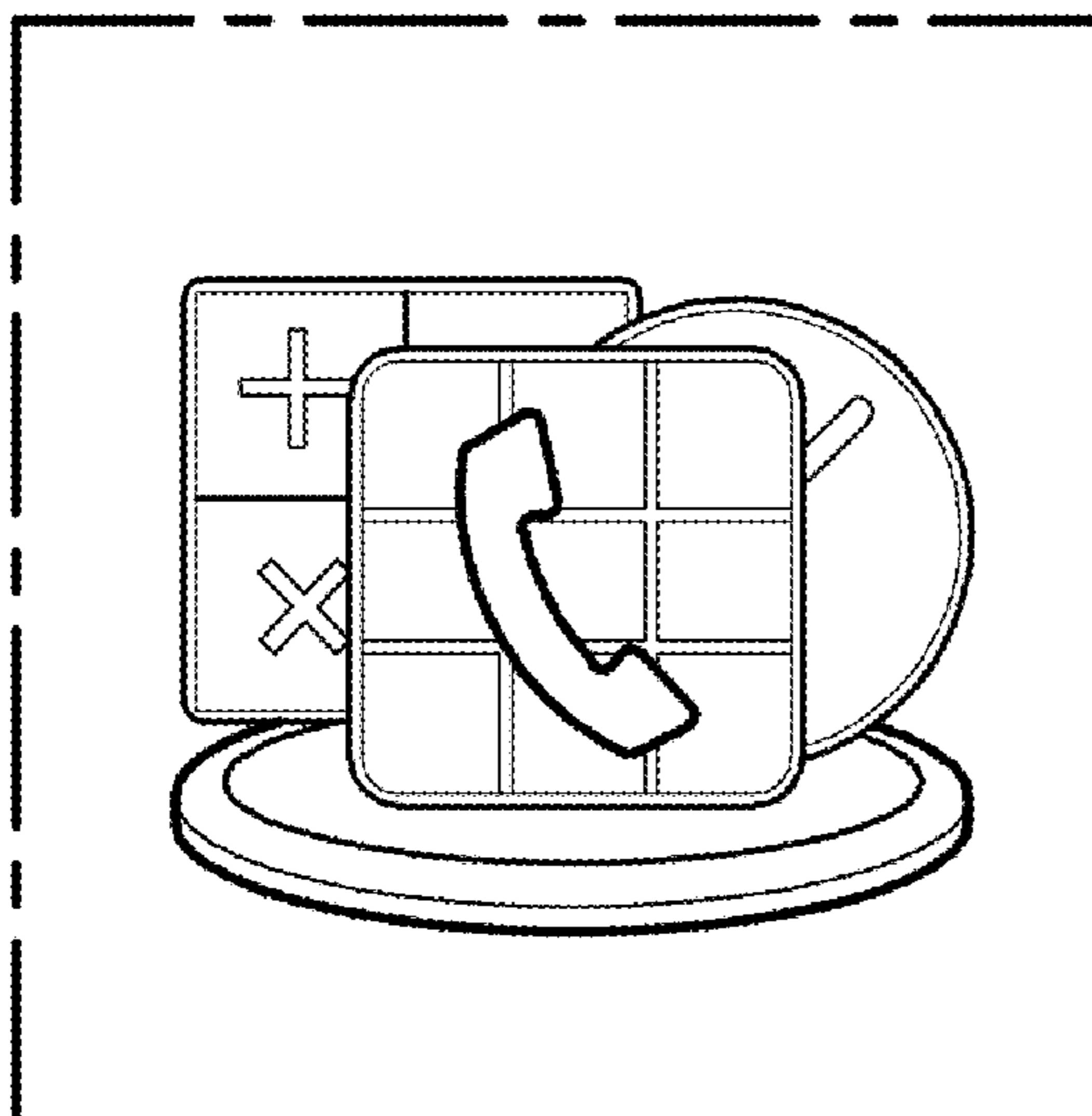


FIG. 1

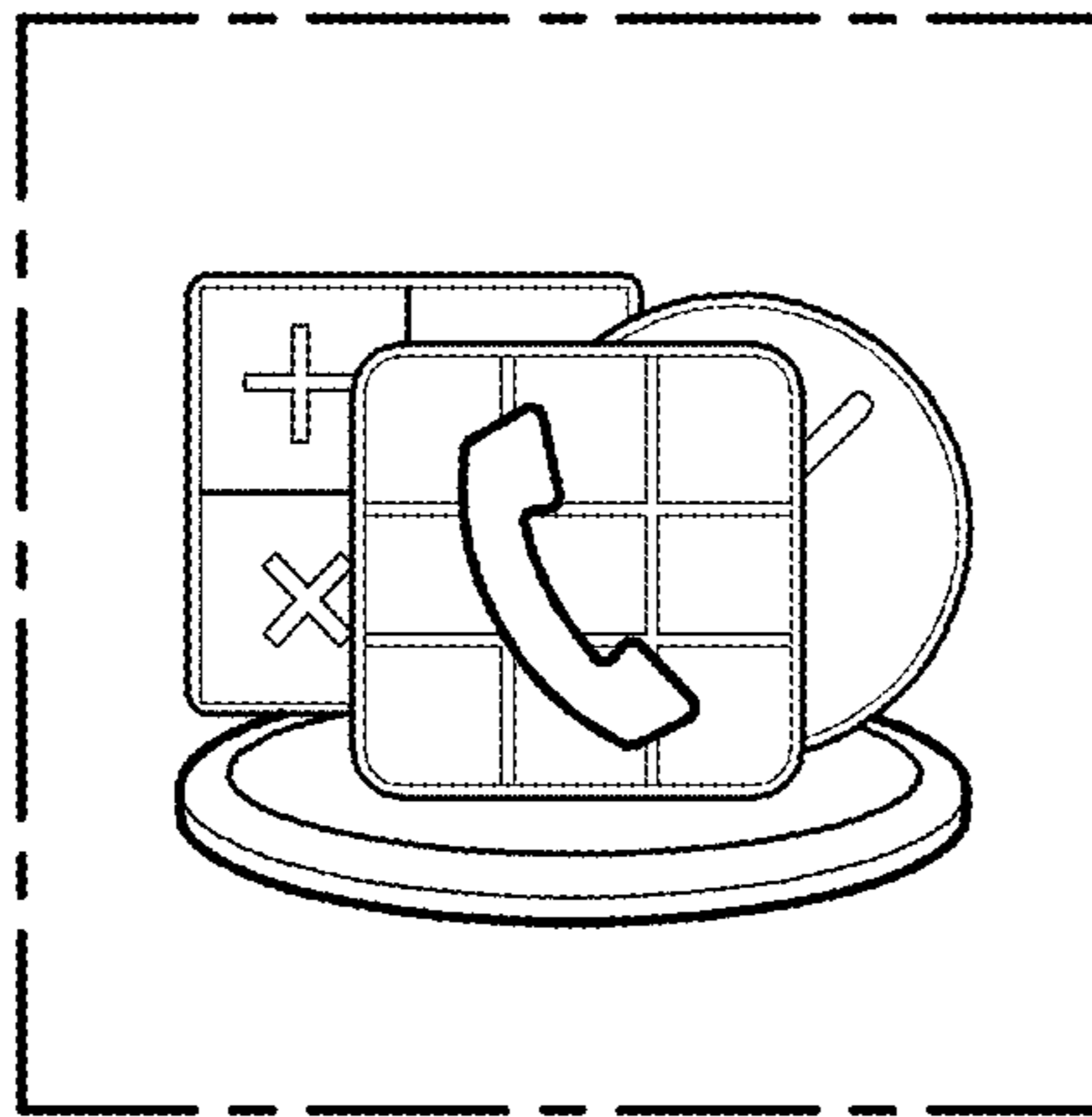


FIG. 2

