



US00D702706S

(12) **United States Design Patent**
Kotler et al.

(10) **Patent No.:** **US D702,706 S**
(45) **Date of Patent:** **** Apr. 15, 2014**

(54) **DISPLAY SCREEN WITH GRAPHICAL USER INTERFACE**

(71) Applicant: **Microsoft Corporation**, Redmond, WA (US)

(72) Inventors: **Matthew J. Kotler**, Sammamish, WA (US); **Erez Kikin Gil**, Redmond, WA (US)

(73) Assignee: **Microsoft Corporation**, Redmond, WA (US)

(**) Term: **14 Years**

(21) Appl. No.: **29/446,801**

(22) Filed: **Feb. 27, 2013**

(51) **LOC (10) Cl.** **14-04**

(52) **U.S. Cl.**
USPC **D14/487**

(58) **Field of Classification Search**
USPC D14/485-495; 715/700, 703, 716, 727, 715/730, 771, 773, 778, 779, 780, 784, 785, 715/786, 787, 810, 821, 825, 828, 830, 833, 715/834, 835, 840, 847, 864, 973, 974
See application file for complete search history.

D493,471 S	7/2004	McIntosh
D504,441 S	4/2005	Sapp et al.
D505,135 S	5/2005	Sapp et al.
7,046,248 B1	5/2006	Perttunen
D544,495 S	6/2007	Evans et al.
D545,323 S	6/2007	Decombe
D545,324 S	6/2007	Decombe
7,281,214 B2	10/2007	Fadell
D554,660 S	11/2007	Hoover et al.
D554,661 S	11/2007	Hoover et al.
D563,972 S	3/2008	Sherry
D568,898 S	5/2008	Byeon
D580,949 S	11/2008	Duarte
D589,521 S	3/2009	Napier et al.
D591,305 S	4/2009	Shimoda
7,516,416 B2	4/2009	Viswanathan et al.
D592,674 S	5/2009	Kwag
D602,033 S *	10/2009	Vu et al. D14/485
D604,310 S	11/2009	Ahn
D606,081 S	12/2009	Parker et al.
D607,007 S	12/2009	Kocmick
D614,192 S	4/2010	Takano et al.
D619,593 S	7/2010	Fujioka et al.
D619,614 S	7/2010	O'Mullan et al.

(Continued)

Primary Examiner — Angela J Lee

(74) *Attorney, Agent, or Firm* — Banner & Witcoff, Ltd.

(57) **CLAIM**

The ornamental design for a display screen with graphical user interface, as shown and described.

DESCRIPTION

FIG. 1 is a front view of a display screen with graphical user interface showing our new design; and, FIG. 2 is a front view of the display screen with graphical user interface of FIG. 1 shown with additional disclaimed environment.

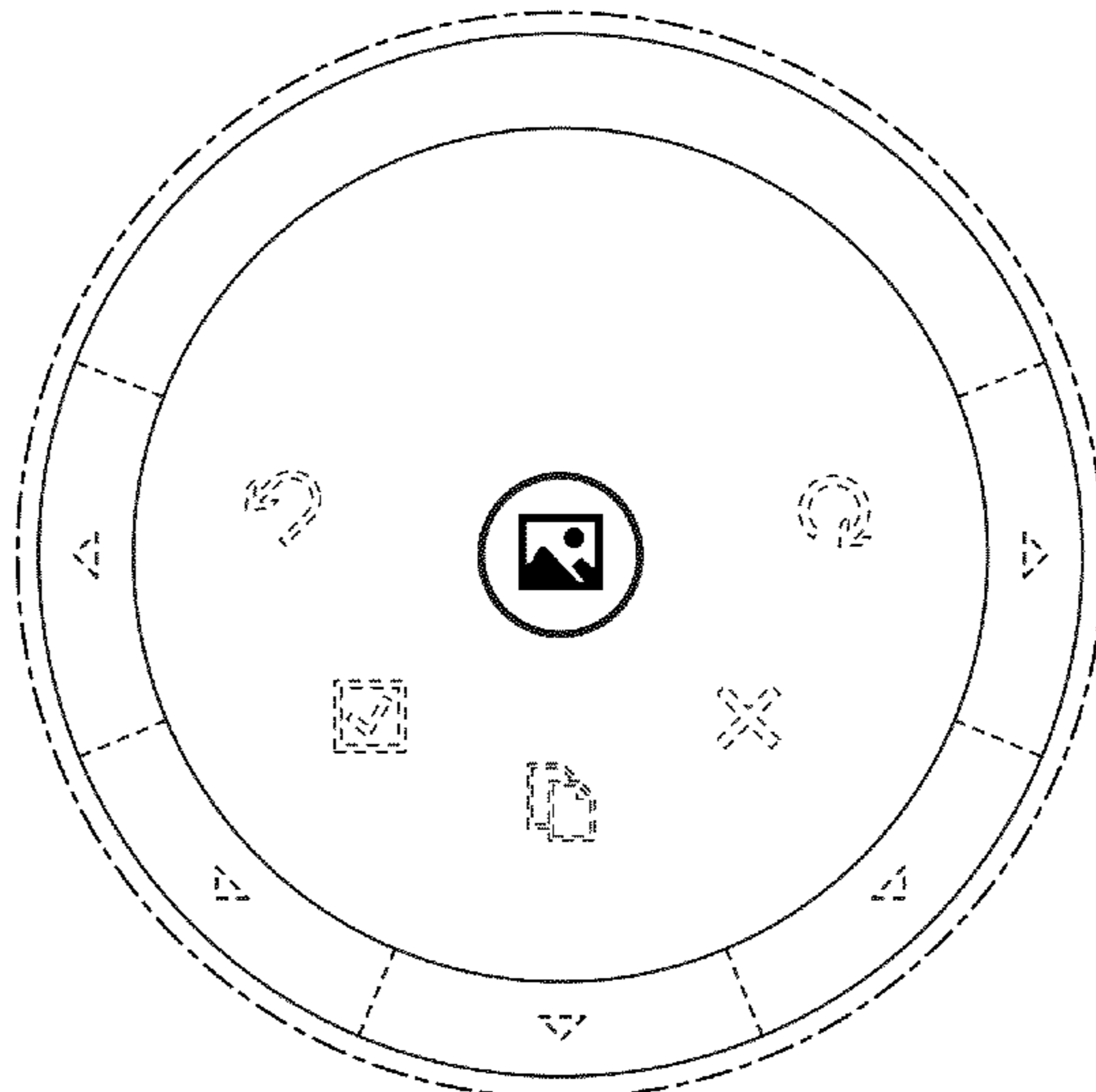
The broken line showing of the remainder of the user interface and display screen is for environmental purposes only and forms no part of the claimed design.

1 Claim, 2 Drawing Sheets

(56) **References Cited**

U.S. PATENT DOCUMENTS

4,747,093 A	5/1988	Benne et al.
5,526,341 A	6/1996	Shiba et al.
5,675,570 A	10/1997	Ohira et al.
D396,455 S	7/1998	Bier
D461,822 S *	8/2002	Okuley D14/489
D464,360 S	10/2002	Grundel et al.
6,549,219 B2	4/2003	Selker
D474,197 S	5/2003	Nguyen
D492,695 S	7/2004	Suzuki et al.
D493,177 S	7/2004	Retuta et al.



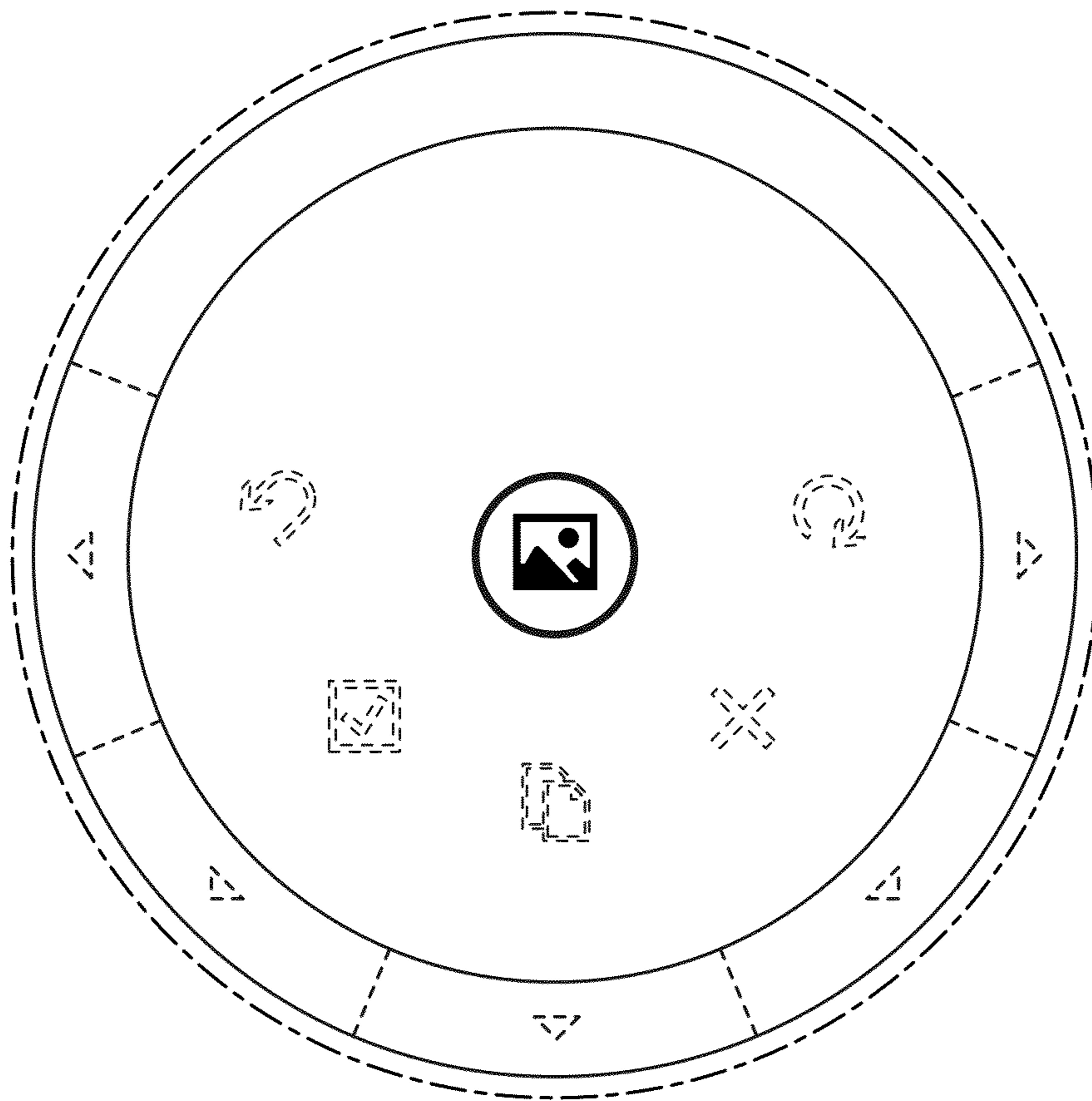


FIG. 1

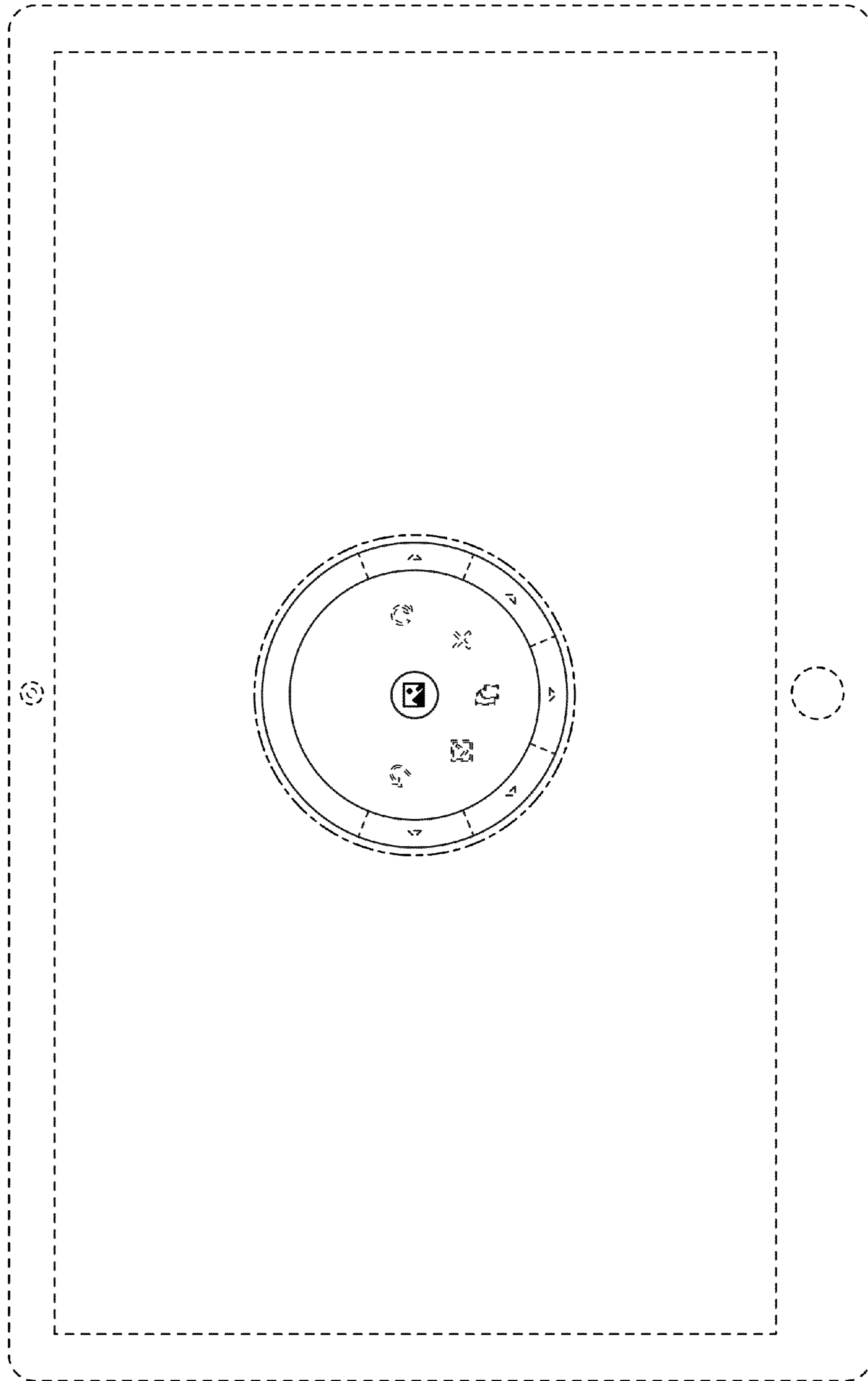


FIG. 2