



US00D702697S

(12) **United States Design Patent**
Gao et al.

(10) **Patent No.:** **US D702,697 S**
(45) **Date of Patent:** **** Apr. 15, 2014**

- (54) **USB MEMORY DRIVE**
- (71) Applicant: **GW Crystal, Inc.**, Rancho Cucamonga, CA (US)
- (72) Inventors: **Peter Gao**, Rancho Cucamonga, CA (US); **Scott Erickson**, Rancho Cucamonga, CA (US)
- (73) Assignee: **GW Crystal, Inc.**, Rancho Cucamonga, CA (US)

- D611,946 S 3/2010 Wisniewski
- D629,805 S * 12/2010 Nysen et al. D14/433
- D631,054 S 1/2011 Spier
- D638,575 S 5/2011 Meyer
- D653,152 S 1/2012 Bartl
- 8,120,903 B2* 2/2012 Lin et al. 361/679.4
- D657,365 S 4/2012 Sung
- D666,936 S 9/2012 Lee et al.
- D668,664 S 10/2012 Zhou
- D672,361 S 12/2012 Huang
- D675,216 S 1/2013 Bedol et al.
- D675,630 S 2/2013 Ni et al.
- D680,123 S 4/2013 Benois

(**) Term: **14 Years**

(21) Appl. No.: **29/455,251**

(22) Filed: **May 17, 2013**

(51) **LOC (10) Cl.** **14-02**

(52) **U.S. Cl.**
USPC **D14/480.1**

(58) **Field of Classification Search**
USPC D14/411, 433, 435.1, 436, 480.1–480.7,
D14/484.1, 137, 155, 203.1–203.8, 240;
D13/133, 154; 710/300–301; 439/131,
439/135–147

See application file for complete search history.

(56) **References Cited**

U.S. PATENT DOCUMENTS

- D496,364 S * 9/2004 Saito D14/385
- D503,011 S 3/2005 Schonbek
- D525,247 S 7/2006 Rubin et al.
- D543,202 S 5/2007 Siu
- D548,233 S 8/2007 Loftus
- D592,217 S 5/2009 Chen
- D601,152 S 9/2009 Moshes et al.
- D602,939 S * 10/2009 Andre D14/480.1
- D604,662 S 11/2009 Bartl
- D607,914 S * 1/2010 Kaplan et al. D16/219
- D610,156 S 2/2010 Mudrick
- D610,157 S 2/2010 Ma
- D610,937 S 3/2010 Meyer

OTHER PUBLICATIONS

USB Revolving Cubic Hub, [online], [retrieved on Apr. 8, 2008]. Retrieved from the Internet <URL: http://usb.brandoo.com.hk/prod_detail.php?prod_id=00467>.*

(Continued)

Primary Examiner — Karen E Kearney
(74) *Attorney, Agent, or Firm* — Brian Billett

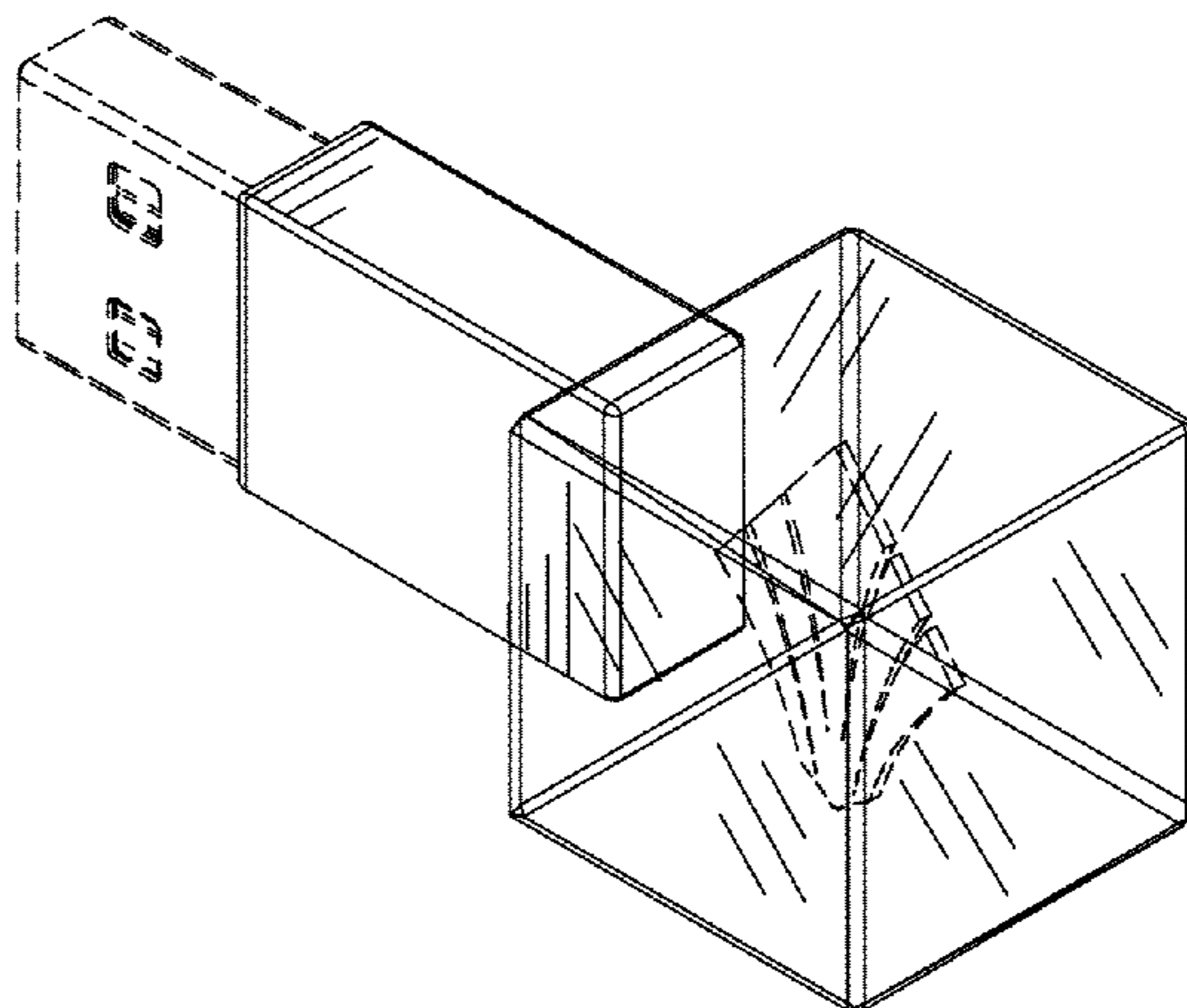
(57) **CLAIM**

We claim the ornamental design for a USB memory drive, as shown and described.

DESCRIPTION

FIG. 1 is a perspective view of a USB memory drive in accordance with the present design;
FIG. 2 is a top view thereof;
FIG. 3 is a bottom view thereof;
FIG. 4 is a front view thereof
FIG. 5 is a back view thereof;
FIG. 6 is a right side view thereof; and,
FIG. 7 is a left side view thereof.
The broken line showings of the USB connector and the subsurface engraving are included for the purpose of illustrating portions of the USB memory drive and form no part of the claimed design.

1 Claim, 3 Drawing Sheets



(56)

References Cited

OTHER PUBLICATIONS

Cube Flash Drives, [online], [retrieved on Jan. 6, 2014]. Retrieved from the Internet <UR: http://www.gwcrystal.com/index.php?section=product&subsection=product_details&product_id=225&category_id=51>.*

Mnemosyne Flash Drive Stores Precious Moments for 1 Million Yen | The Daily Luxury News Blog from Luxury-Insider.com, [online]

Jul. 3, 2009 [retrieved on Jul. 30, 2009]. Retrieved from the Internet <URL: http://www.luxury-insider.com/Current_Affairs/post/2009/07/Mnemosyne-Flash-Drive-Stores-Precious-Moments-for-1-Million-Yen.aspx>.*

Hirsch Gift, Website catalog, Picasso Crystal USB 2.0 Drive, URL: <http://www.hirschgift.com/product.asp?ProductID=585>, retrieved from Internet Aug. 8, 2013.

* cited by examiner

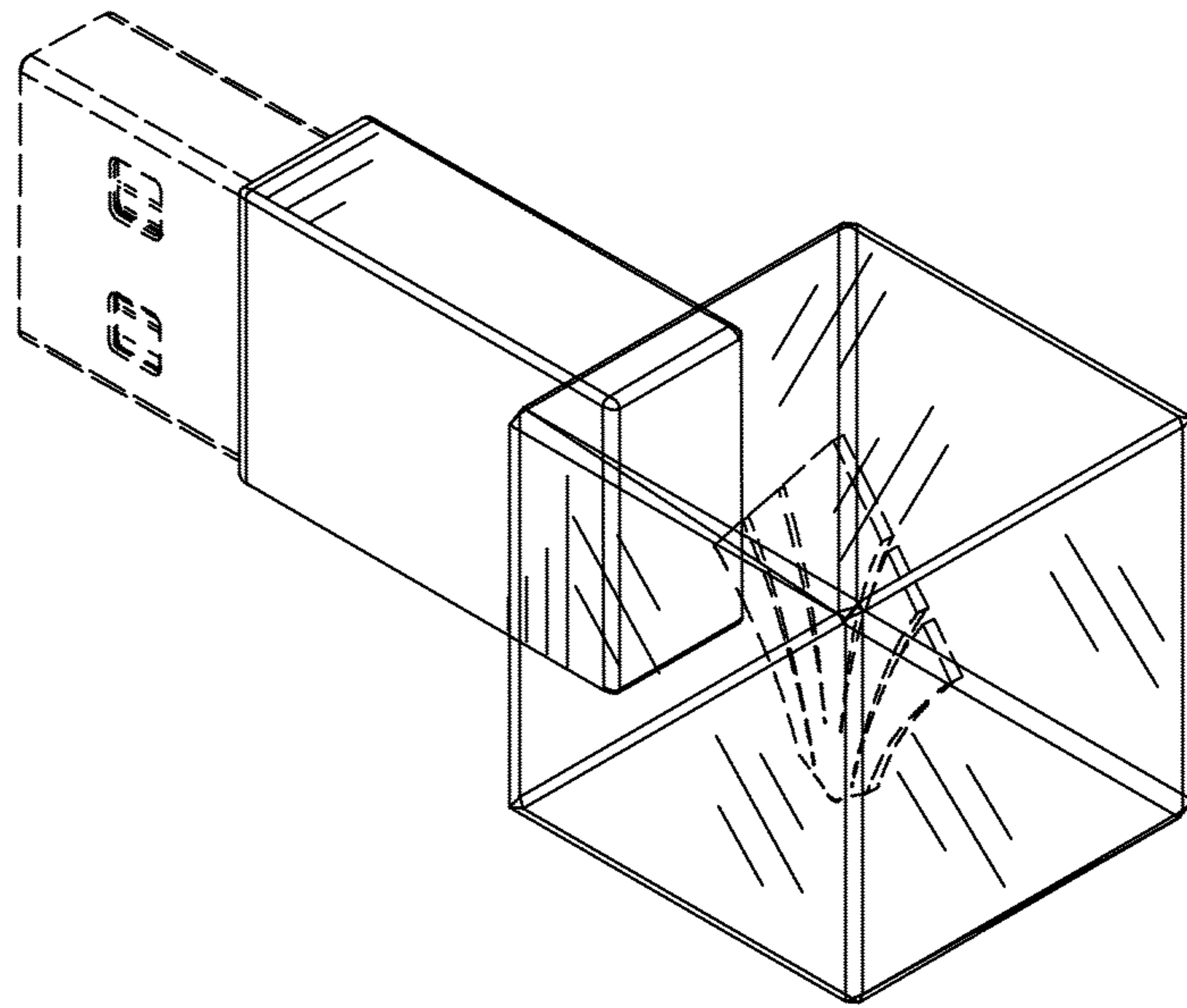


Fig. 1

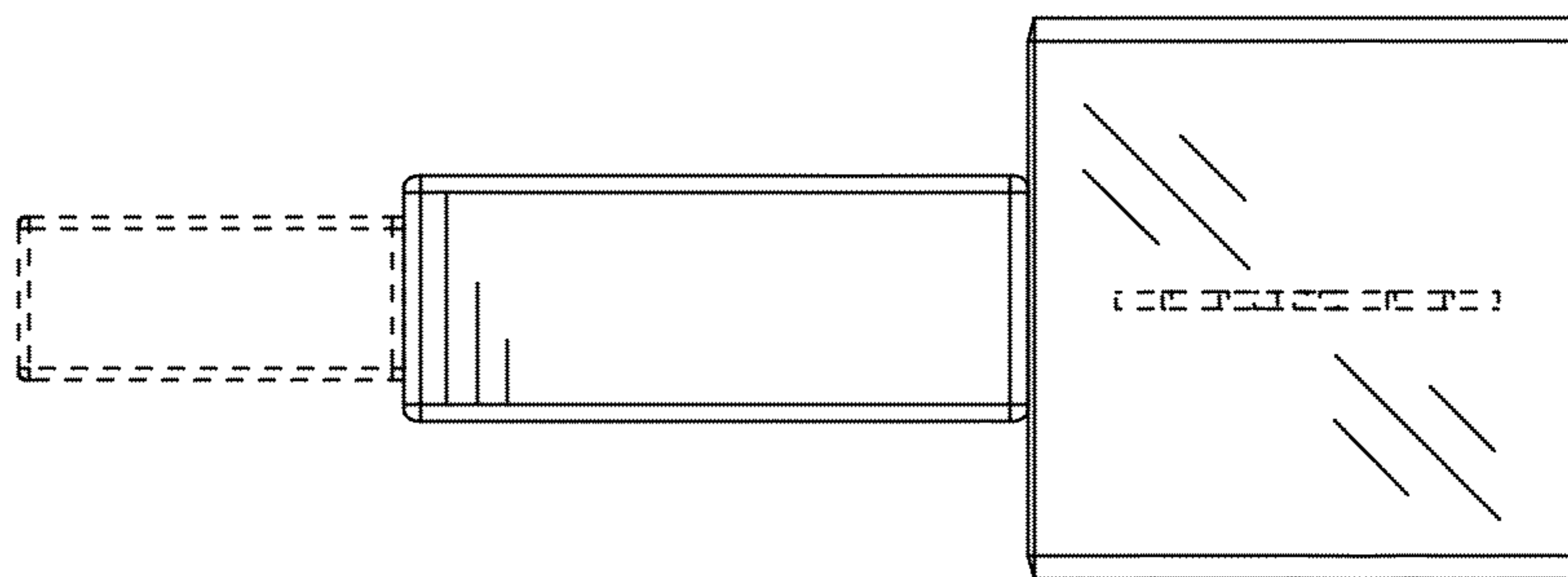


Fig. 2

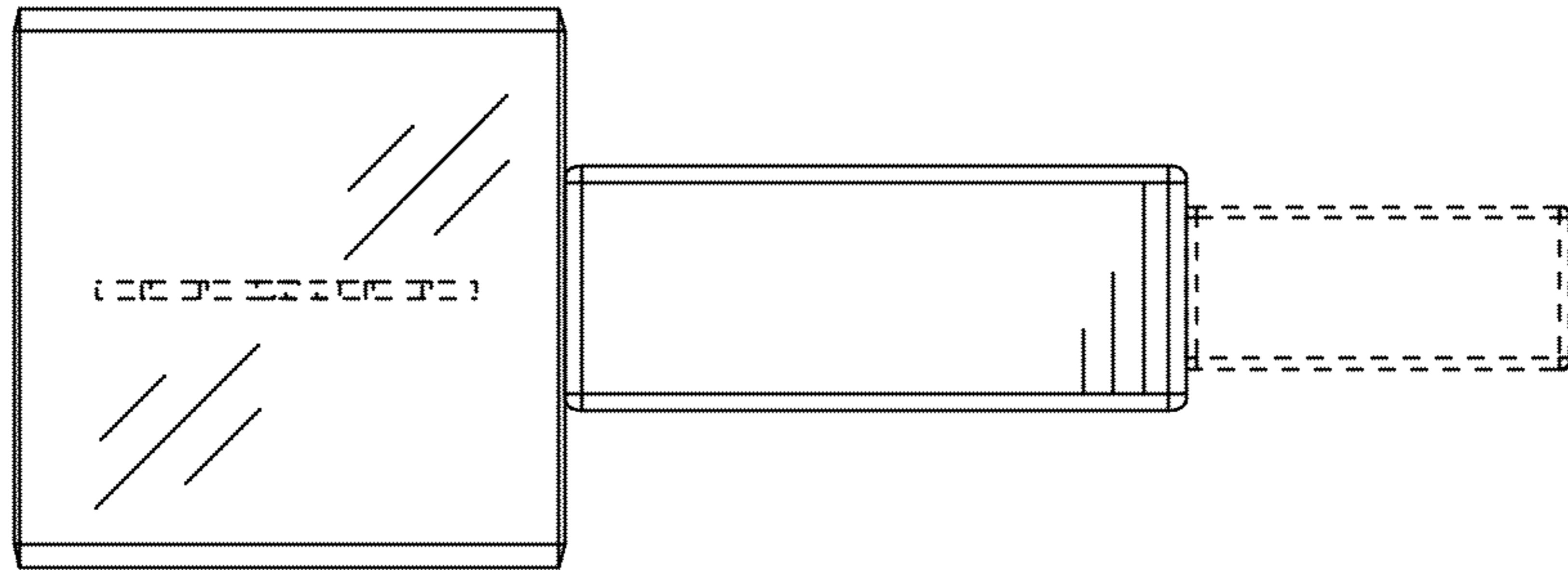


Fig. 3

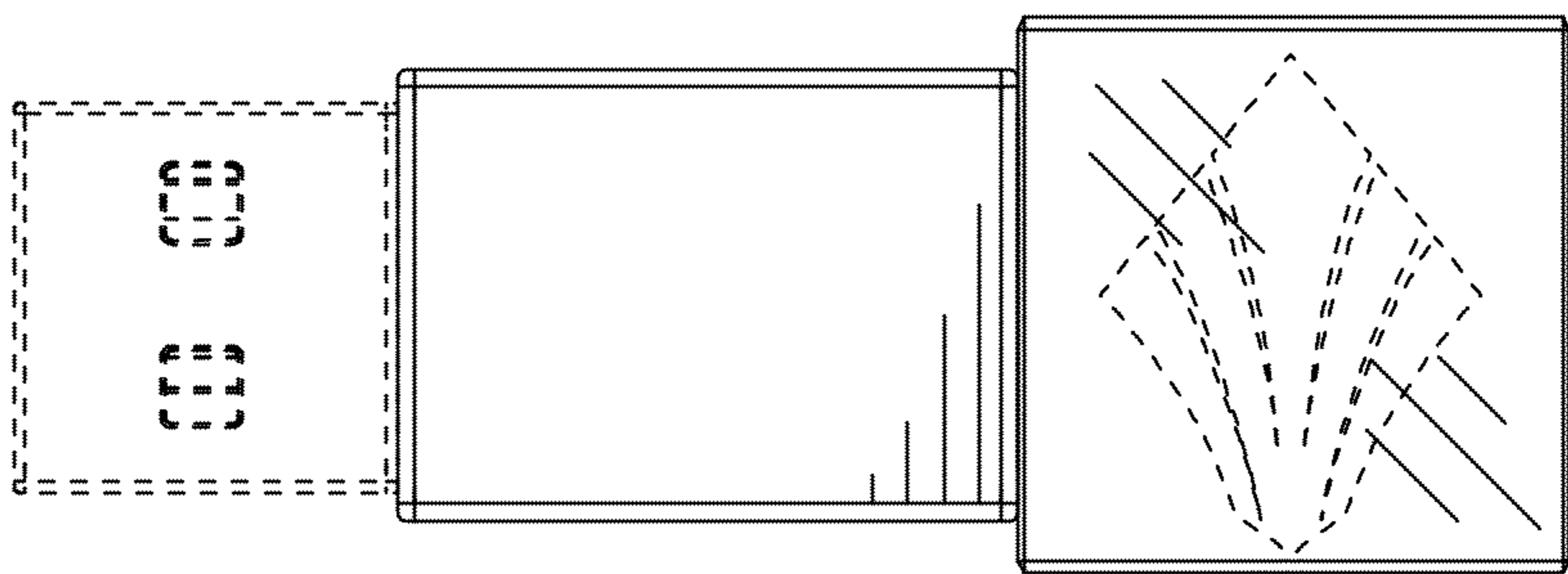


Fig. 4

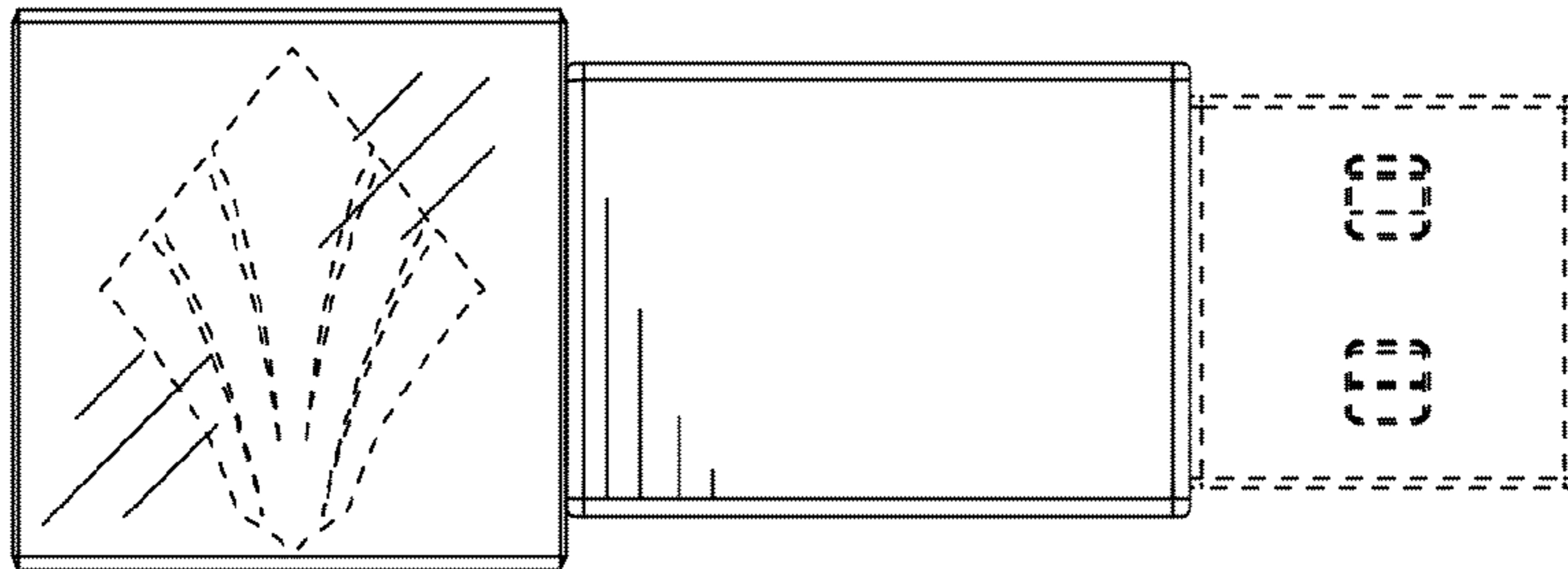


Fig. 5

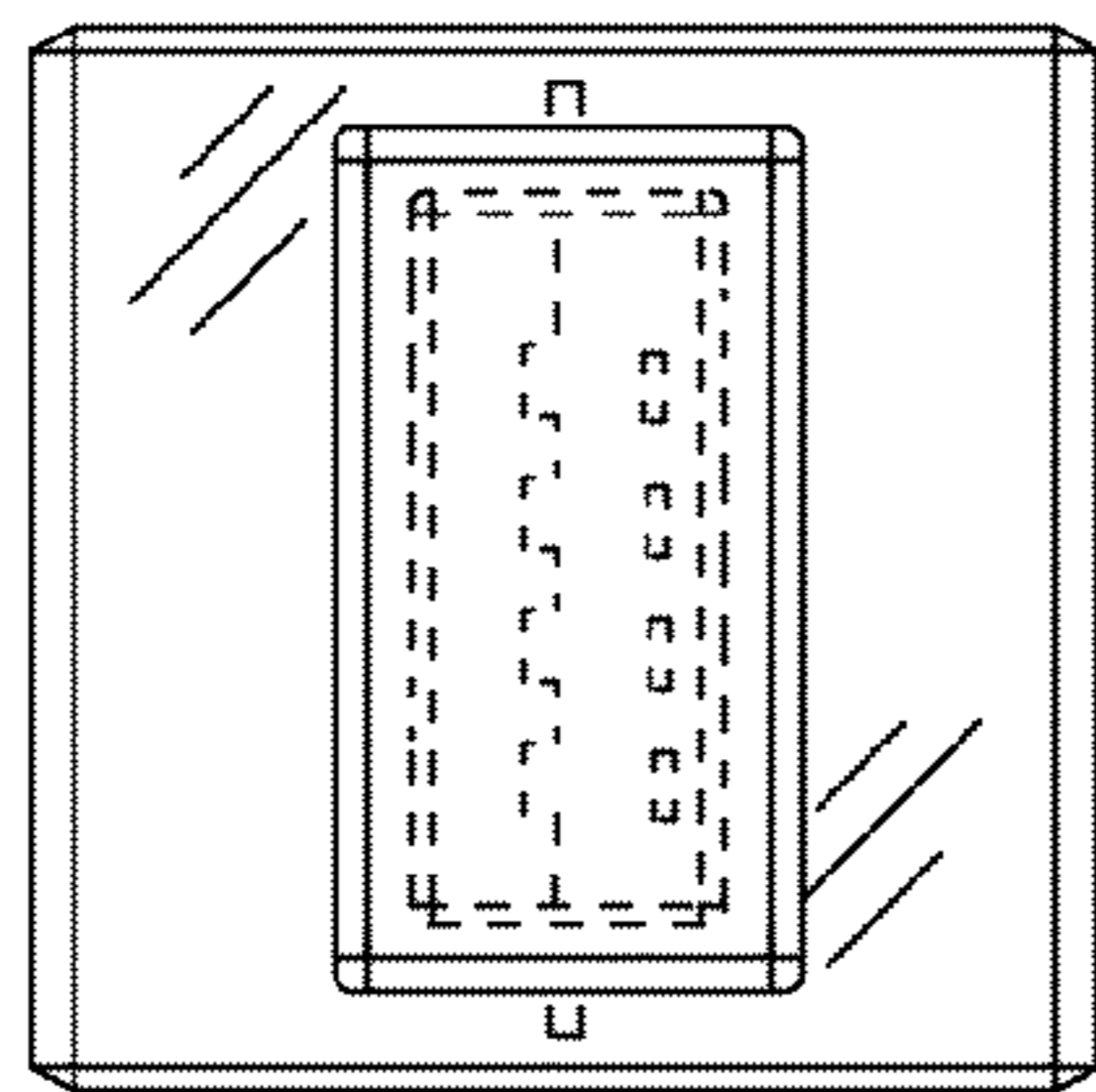


Fig. 6

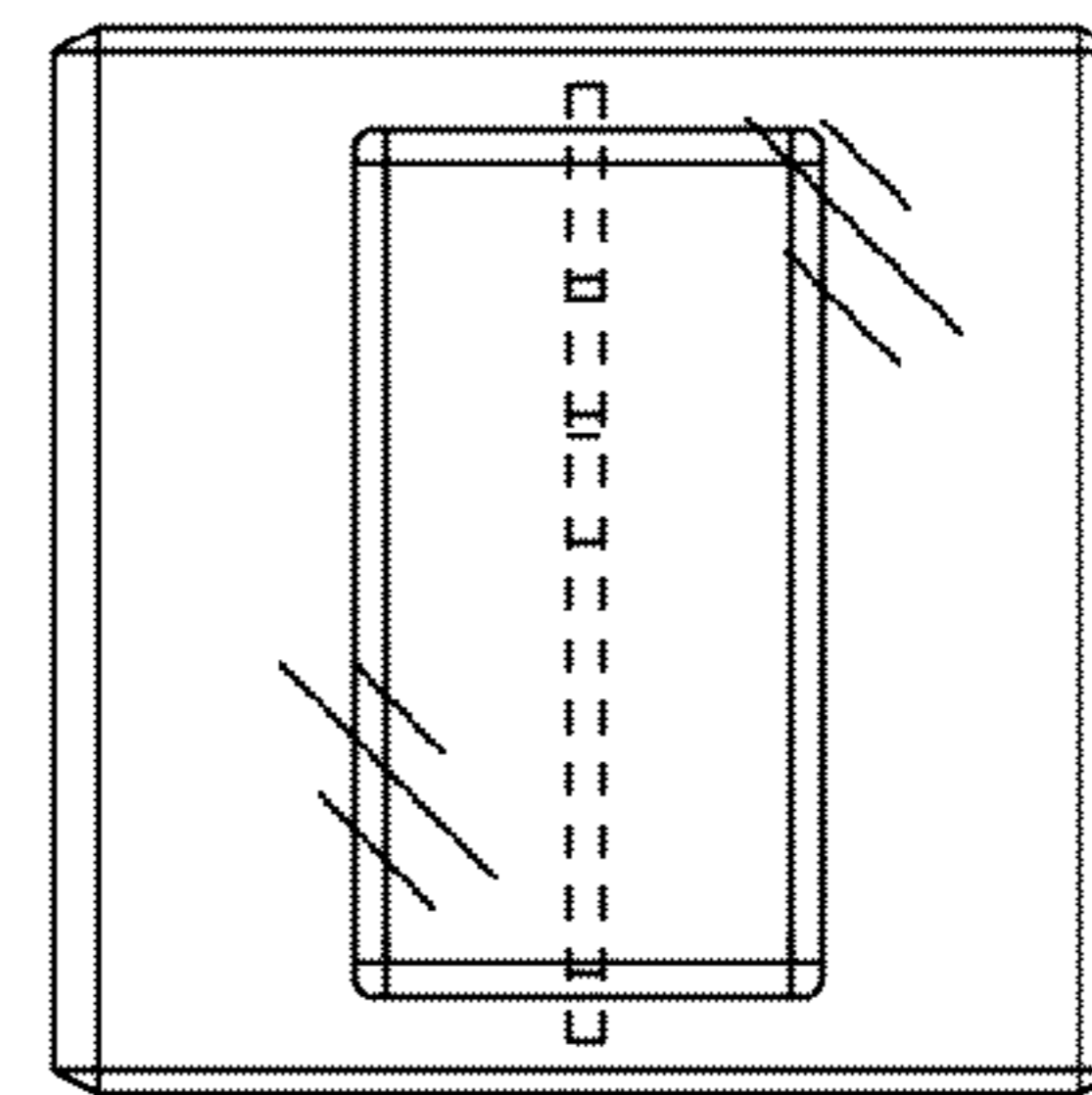


Fig. 7