



US00D702692S

(12) **United States Design Patent**
Gallagher et al.

(10) **Patent No.:** **US D702,692 S**
(45) **Date of Patent:** **** Apr. 15, 2014**

(54) **CARD FOR HOLDING A DIGITAL STORAGE MEDIUM**

(75) Inventors: **Timothy Gallagher**, Christchurch (NZ);
Kerry Jackson Tahawai Bird, Maketu (NZ)

(73) Assignee: **Digital Hard Copy**, New York, NY (US)

(**) Term: **14 Years**

(21) Appl. No.: **29/407,204**

(22) Filed: **Nov. 23, 2011**

(51) **LOC (10) Cl.** **14-02**

(52) **U.S. Cl.**
USPC **D14/436**

(58) **Field of Classification Search**
USPC D14/435-437, 478-480, 485-495, 474;
D13/182; 369/275.1-275.5, 44.26,
369/100, 52.1, 272, 273, 280-288; 283/81,
283/74, 75; 720/718; 435/6, 287.2;
604/891.1; 216/2; D11/80, 7, 79, 85,
D11/97, 99, 107, 108, 82, 137, 105;
235/492, 488; 361/737; D20/22, 27,
D20/41, 42, 10, 17; D3/207-212,
D3/270-271.3; D26/38; 206/37.1, 38.1;
D6/302-304; D24/199; 70/456 R,
70/456 B, 458, 459; 24/3.6; D21/610, 611,
D21/626, 385, 381-384, 334-368,
D21/376-380; 40/310, 665, 300-302, 633,
40/612, 662, 547, 586; D8/1, 34, 38, 18;
239/57; 362/812; D10/33, 109;
D2/976; D7/619.2; 273/236-288,
273/148 R, 161, 304, 308; D19/1

See application file for complete search history.

(56) **References Cited**

U.S. PATENT DOCUMENTS

3,583,317 A * 6/1971 Gibson 283/98
D287,253 S * 12/1986 Satake D18/12

4,714,980 A * 12/1987 Hara 361/679.31
4,904,853 A * 2/1990 Yokokawa 235/487
5,155,663 A * 10/1992 Harase 361/679.31
5,563,400 A * 10/1996 Le Roux 235/486
5,655,143 A * 8/1997 Alpert et al. 361/600
5,660,568 A * 8/1997 Moshayedi 439/654
5,677,524 A * 10/1997 Haghiri-Tehrani 235/492
5,679,013 A * 10/1997 Matsunaga et al. 439/144
5,691,882 A * 11/1997 Ma 361/679.32
5,812,366 A * 9/1998 Kuriyama 361/523
5,818,030 A * 10/1998 Reyes 235/492
6,058,089 A * 5/2000 Youens et al. 720/652
6,065,681 A * 5/2000 Trueggelmann 235/487
D429,725 S * 8/2000 Morimiya D14/384
D431,568 S * 10/2000 Chan et al. D14/436
6,213,403 B1 * 4/2001 Bates, III 235/492
6,239,976 B1 * 5/2001 Templeton et al. 361/737
6,320,751 B2 * 11/2001 Takeda et al. 361/737
6,334,788 B1 * 1/2002 Sakaguchi et al. 439/528

(Continued)

Primary Examiner — Susan Moon Lee

(74) *Attorney, Agent, or Firm* — Sheppard Mullin Richter & Hampton LLP

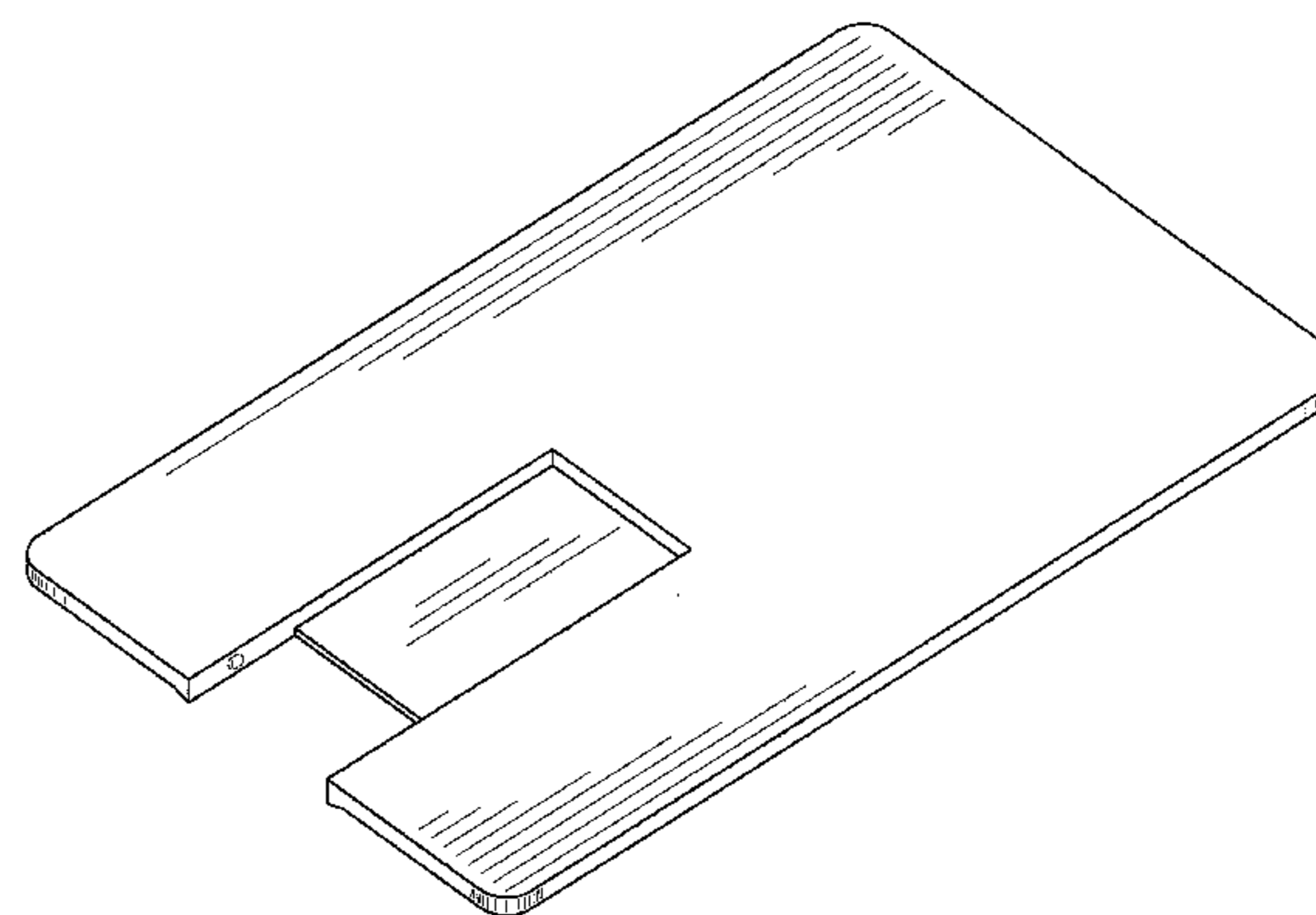
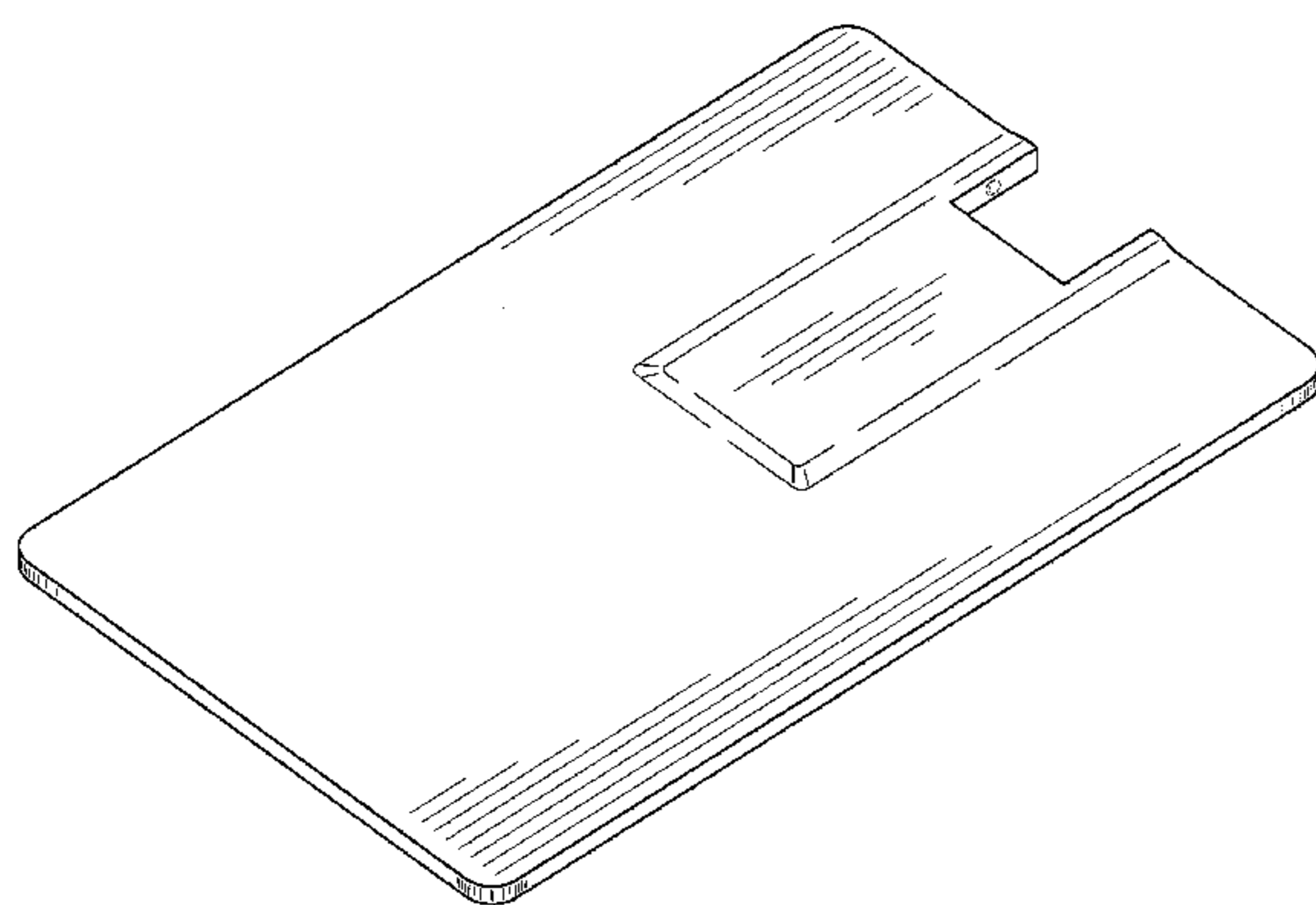
(57) **CLAIM**

We claim the ornamental design for a card for holding a digital storage medium, as shown and described.

DESCRIPTION

FIG. 1 is a bottom perspective view of a card for holding a digital storage medium showing the new design;
FIG. 2 is a top perspective view thereof;
FIG. 3 is a front elevational view thereof;
FIG. 4 is a rear elevational view thereof;
FIG. 5 is a side elevational view thereof;
FIG. 6 is another side elevational view thereof;
FIG. 7 is a top view thereof; and,
FIG. 8 is a bottom view thereof.
Broken lines and portions contained within broken lines, are not claimed.

1 Claim, 6 Drawing Sheets



(56)

References Cited

U.S. PATENT DOCUMENTS

- | | | | | | | | | | |
|-----------|------|---------|------------------------|----------|--------------|------|---------|-----------------------|------------|
| 6,398,114 | B1 * | 6/2002 | Nishikawa et al. | 235/492 | D632,298 | S * | 2/2011 | DePaula | D14/436 |
| 6,448,638 | B1 * | 9/2002 | Fidalgo et al. | 257/679 | D632,696 | S * | 2/2011 | Koh et al. | D14/436 |
| 6,457,647 | B1 * | 10/2002 | Kurihashi et al. | 235/486 | D636,814 | S * | 4/2011 | Irwin, Jr. | D19/10 |
| 6,532,298 | B1 * | 3/2003 | Cambier et al. | 382/117 | 7,994,898 | B2 * | 8/2011 | Ozolins | 340/5.82 |
| 6,567,273 | B1 * | 5/2003 | Liu et al. | 361/737 | 8,021,166 | B1 * | 9/2011 | Nguyen et al. | 439/76.1 |
| 6,592,031 | B1 * | 7/2003 | Klatt | 235/382 | D647,530 | S * | 10/2011 | Busch | D14/480.3 |
| 6,808,424 | B2 * | 10/2004 | Kaneshiro et al. | 439/638 | D647,532 | S * | 10/2011 | Busch | D14/480.3 |
| D498,788 | S * | 11/2004 | Lubking | D19/10 | D656,147 | S * | 3/2012 | Schlossstein | D14/480.6 |
| D501,208 | S * | 1/2005 | Ozolins et al. | D14/383 | D659,146 | S * | 5/2012 | Koh et al. | D14/436 |
| H2120 | H * | 7/2005 | Cudlitz | 235/382 | D659,149 | S * | 5/2012 | Andre | D14/480.6 |
| D508,245 | S * | 8/2005 | Ozolins et al. | D14/383 | D659,150 | S * | 5/2012 | Andre | D14/480.7 |
| 6,970,584 | B2 * | 11/2005 | O’Gorman et al. | 382/126 | D666,201 | S * | 8/2012 | Gallagher et al. | D14/436 |
| 7,009,847 | B1 * | 3/2006 | Wu et al. | 361/737 | D679,717 | S * | 4/2013 | Benois | D14/480.1 |
| 7,040,919 | B2 * | 5/2006 | Yao | 439/502 | D680,123 | S * | 4/2013 | Benois | D14/480.5 |
| D522,510 | S * | 6/2006 | Su | D14/384 | D680,124 | S * | 4/2013 | Benois | D14/480.7 |
| D526,651 | S * | 8/2006 | Hoogerdijk | D14/436 | D685,375 | S * | 7/2013 | Steinberger | D14/436 |
| 7,090,139 | B2 * | 8/2006 | Kasuga et al. | 235/494 | D687,041 | S * | 7/2013 | Benois | D14/480.5 |
| 7,104,809 | B1 * | 9/2006 | Huang | 439/76.1 | D688,668 | S * | 8/2013 | Ben-Gad et al. | D14/436 |
| 7,136,288 | B2 * | 11/2006 | Hoogerdijk | 361/737 | D691,153 | S * | 10/2013 | Benois | D14/480.7 |
| 7,151,673 | B2 * | 12/2006 | Le et al. | 361/737 | 2002/0076954 | A1 * | 6/2002 | Chen et al. | 439/76.1 |
| D535,992 | S * | 1/2007 | Ozolins et al. | D14/383 | 2003/0109179 | A1 * | 6/2003 | Kaneshiro et al. | 439/638 |
| D537,036 | S * | 2/2007 | Chen | D14/433 | 2004/0087213 | A1 * | 5/2004 | Kao | 439/638 |
| 7,183,636 | B1 * | 2/2007 | Boccia et al. | 257/679 | 2004/0139279 | A1 * | 7/2004 | Hoogerdijk | 711/115 |
| 7,213,766 | B2 * | 5/2007 | Ryan et al. | 235/492 | 2005/0090133 | A1 * | 4/2005 | Ma | 439/131 |
| 7,264,172 | B2 * | 9/2007 | Amiot et al. | 235/486 | 2005/0164532 | A1 * | 7/2005 | Ni et al. | 439/79 |
| D553,130 | S * | 10/2007 | Fiorentino et al. | D14/436 | 2005/0204086 | A1 * | 9/2005 | Le et al. | 710/301 |
| D558,199 | S * | 12/2007 | Fiorentino | D14/436 | 2006/0056145 | A1 * | 3/2006 | Wu et al. | 361/684 |
| 7,306,160 | B2 * | 12/2007 | Takiar et al. | 235/492 | 2006/0118639 | A1 * | 6/2006 | Kean et al. | 235/492 |
| D562,817 | S * | 2/2008 | Fiorentino et al. | D14/436 | 2006/0180674 | A1 * | 8/2006 | Margalit et al. | 235/492 |
| 7,344,072 | B2 * | 3/2008 | Gonzalez et al. | 235/441 | 2006/0255158 | A1 * | 11/2006 | Margalit et al. | 235/492 |
| 7,377,448 | B2 * | 5/2008 | Dan et al. | 235/492 | 2006/0273154 | A1 * | 12/2006 | Dan | 235/380 |
| D574,850 | S * | 8/2008 | Zimman et al. | D14/496 | 2006/0278723 | A1 * | 12/2006 | Dan et al. | 235/492 |
| 7,407,393 | B2 * | 8/2008 | Ni et al. | 439/131 | 2007/0073619 | A1 * | 3/2007 | Smith | 705/41 |
| D590,400 | S * | 4/2009 | Hoogerdijk | D14/436 | 2007/0163913 | A1 * | 7/2007 | Or et al. | 206/486 |
| 7,537,169 | B2 * | 5/2009 | Gonzalez et al. | 235/492 | 2007/0252010 | A1 * | 11/2007 | Gonzalez et al. | 235/492 |
| 7,644,867 | B2 * | 1/2010 | Lin et al. | 235/486 | 2008/0156871 | A1 * | 7/2008 | Fidalgo et al. | 235/382 |
| 7,713,091 | B2 * | 5/2010 | Chen | 439/630 | 2008/0179424 | A1 * | 7/2008 | Cheung | 239/60 |
| D619,999 | S * | 7/2010 | Wu et al. | D14/240 | 2009/0203262 | A1 * | 8/2009 | Collet et al. | 439/629 |
| 7,770,800 | B2 * | 8/2010 | Martinez et al. | 235/486 | 2011/0010470 | A1 * | 1/2011 | Hulbert et al. | 710/13 |
| D623,190 | S * | 9/2010 | Trujillo | D14/436 | 2011/0179204 | A1 * | 7/2011 | Hulbert et al. | 710/74 |
| 7,837,122 | B2 * | 11/2010 | Martinent et al. | 235/492 | 2011/0182040 | A1 * | 7/2011 | Ellul et al. | 361/737 |
| D628,912 | S * | 12/2010 | Hebert et al. | D10/46 | 2011/0248851 | A1 * | 10/2011 | Pham | 340/572.1 |
| 7,871,007 | B2 * | 1/2011 | Amiot et al. | 235/486 | 2011/0272308 | A1 * | 11/2011 | Andre | 206/320 |
| | | | | | 2012/0008268 | A1 * | 1/2012 | Jiang et al. | 361/679.4 |
| | | | | | 2012/0309231 | A1 * | 12/2012 | Nguyen et al. | 439/620.22 |

* cited by examiner

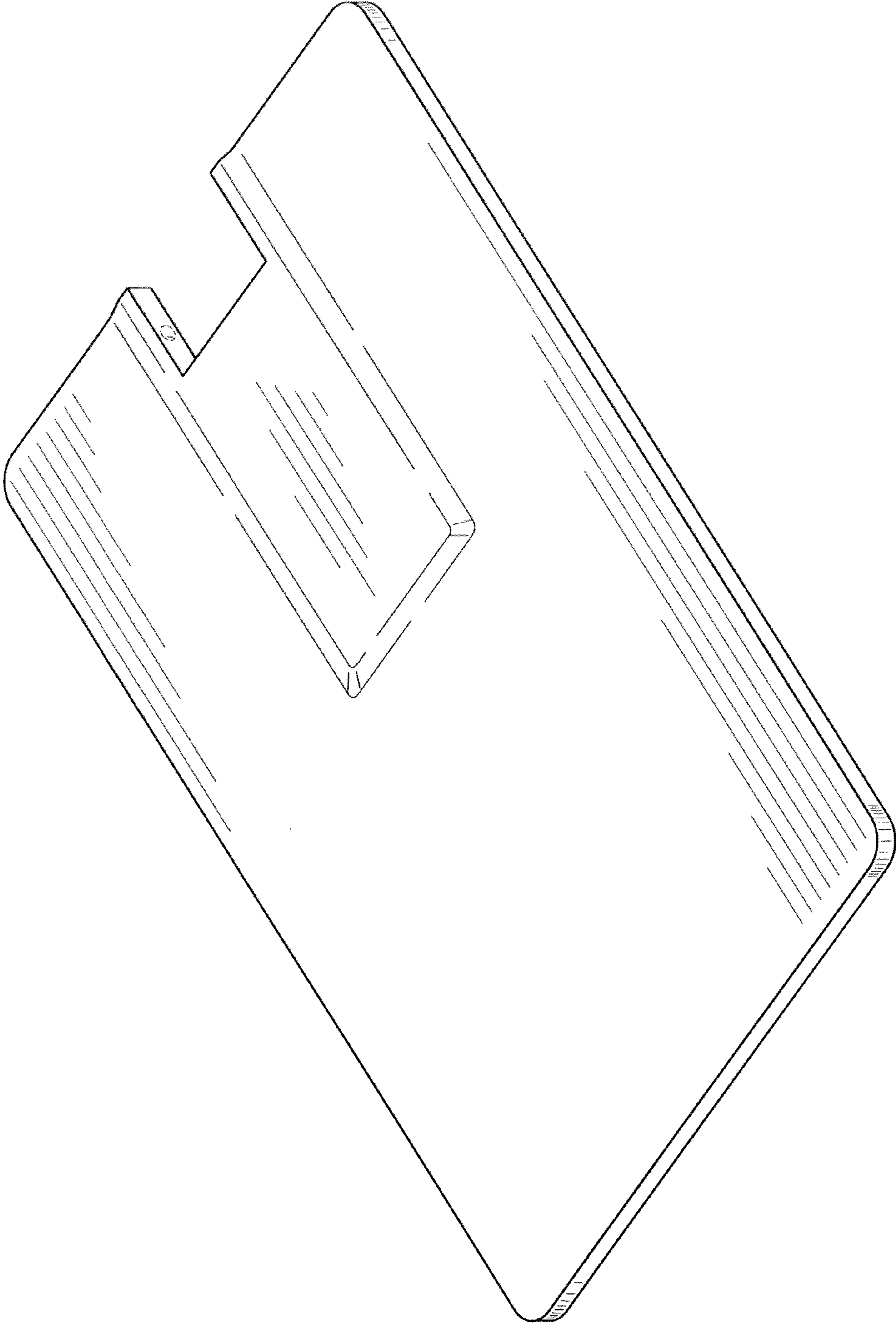


FIG. 1

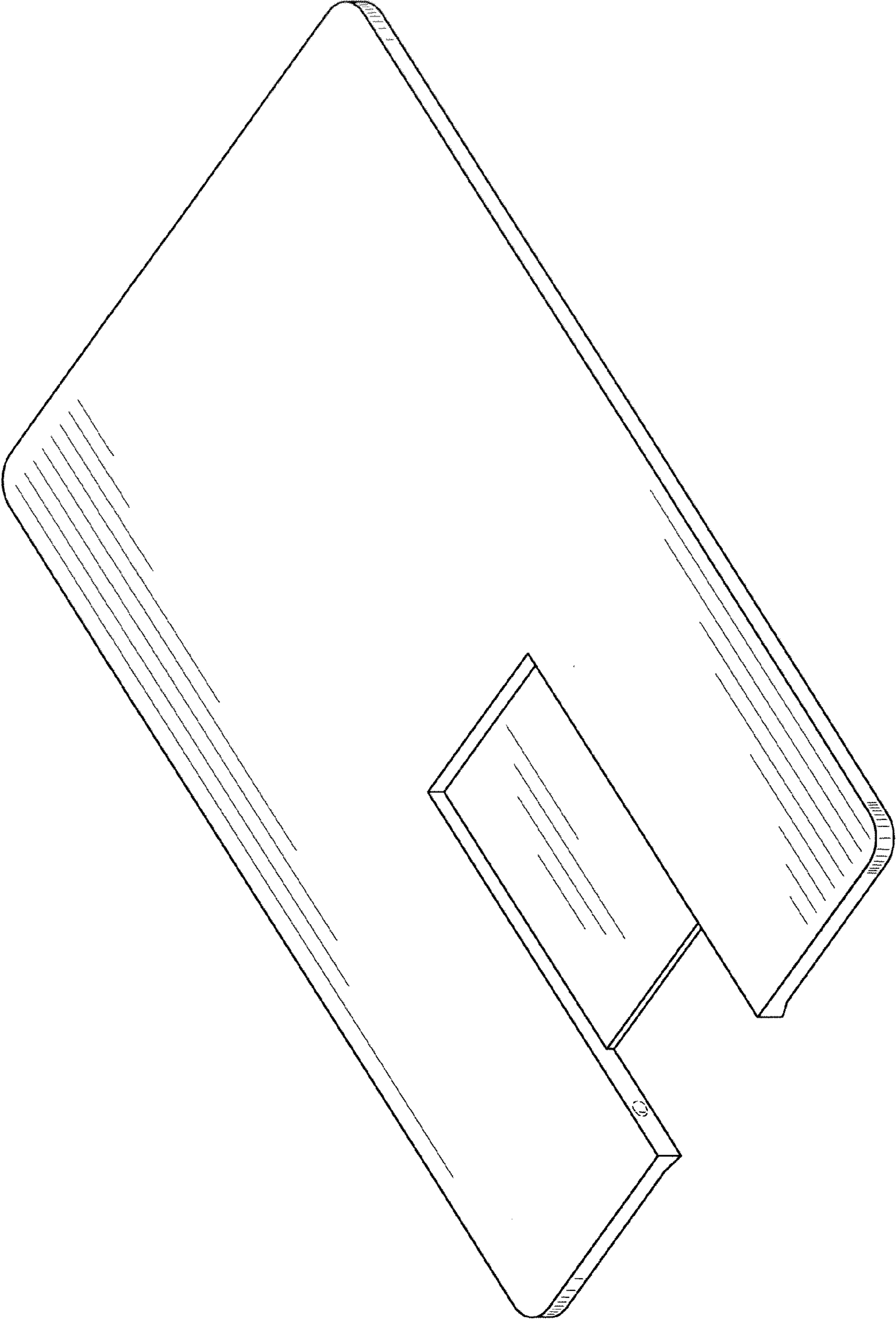


FIG. 2

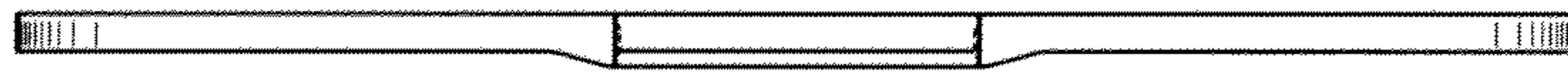


FIG. 3



FIG. 4



FIG. 5



FIG. 6

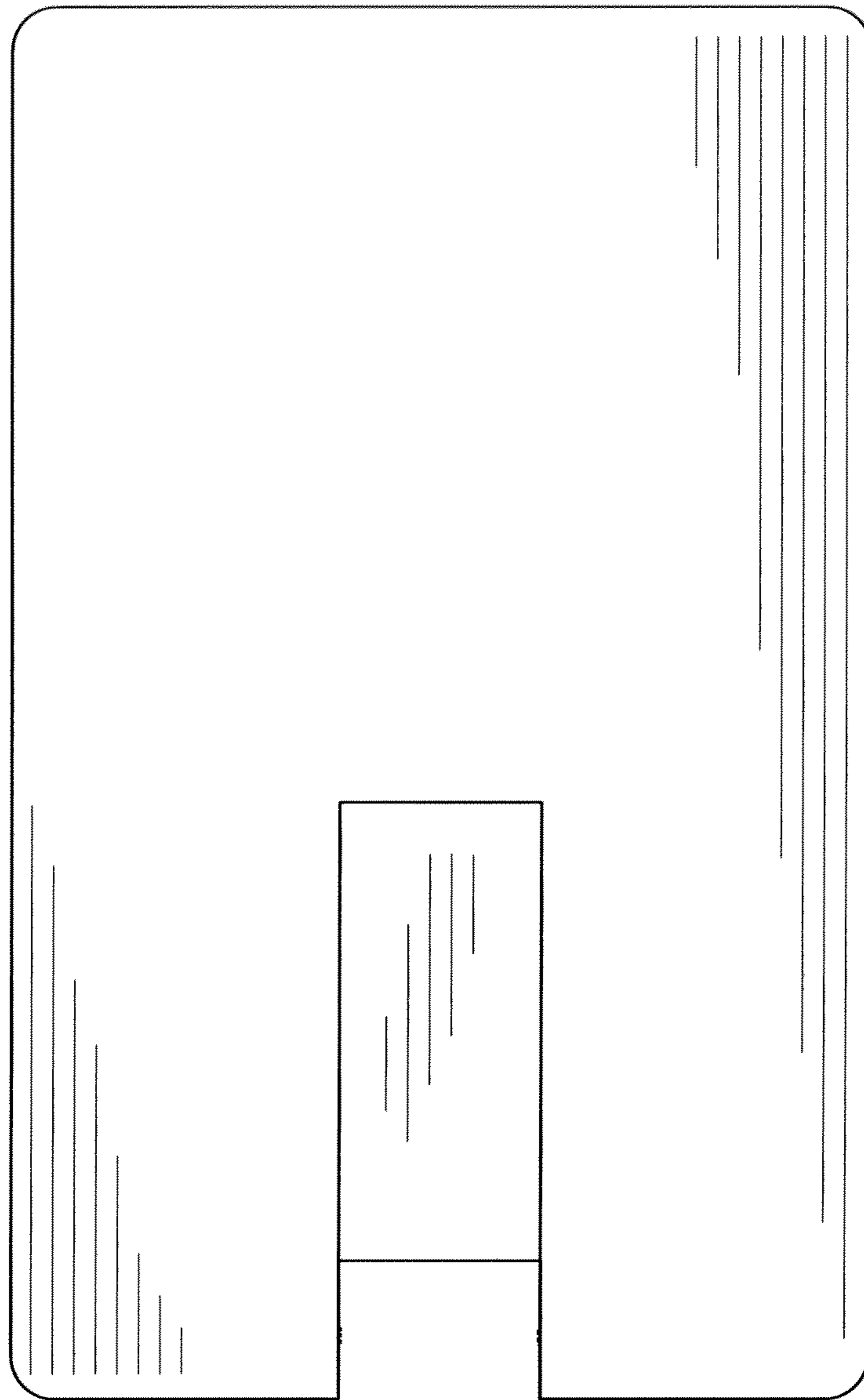


FIG. 7

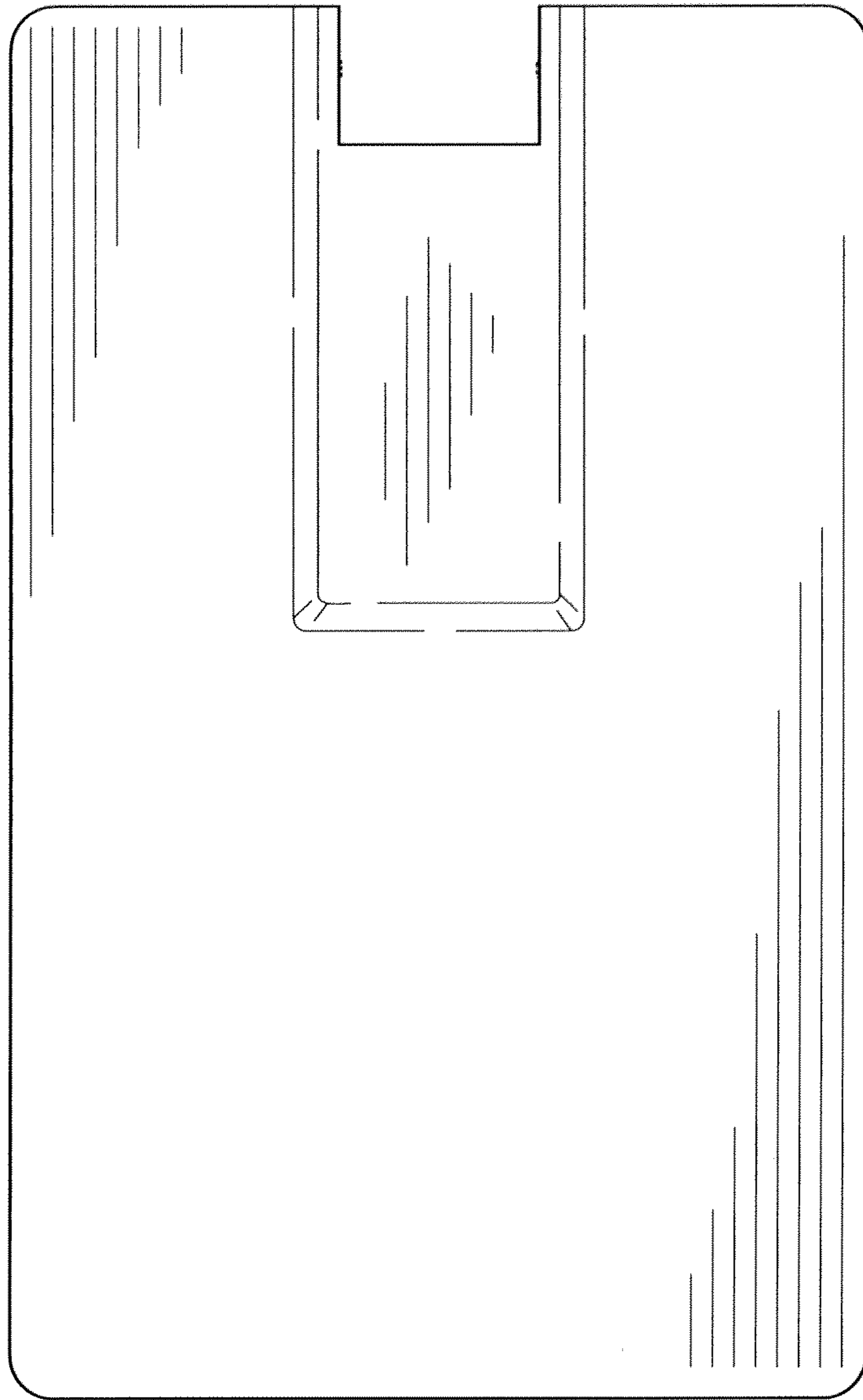


FIG. 8