



US00D702691S

(12) **United States Design Patent**
Lee

(10) **Patent No.:** **US D702,691 S**
(45) **Date of Patent:** **** Apr. 15, 2014**

(54) **USB CABLE**

(71) Applicant: **Rich Electric Wire and Cable Co. Ltd.,**
Yunlin (TW)

(72) Inventor: **Chang-Chi Lee, Yunlin (TW)**

(73) Assignee: **Rich Electric Wire and Cable Co.,**
Ltd., Yulin County (TW)

(**) Term: **14 Years**

(21) Appl. No.: **29/439,158**

(22) Filed: **Dec. 7, 2012**

(51) **LOC (10) Cl.** **14-02**

(52) **U.S. Cl.**
USPC **D14/435.1**

(58) **Field of Classification Search**
CPC . H05K 5/0278; H01R 24/62; G06K 19/07732
USPC D14/411, 432-434, 435.1, 436,
D14/480.1-480.7, 484.1, 137, 155,
D14/203.1-203.8, 240, 242; D13/107-110,
D13/118-119, 133, 146-147, 154;
320/114-115; 710/300-301; 439/131,
439/135-147

See application file for complete search history.

(56) **References Cited**

U.S. PATENT DOCUMENTS

| | | | | |
|--------------|---------|----------------|-------|-----------|
| D486,788 S * | 2/2004 | Riede | | D13/108 |
| D537,818 S * | 3/2007 | Burton et al. | | D14/480.1 |
| D624,747 S * | 10/2010 | McSweyn | | D3/208 |
| D645,049 S * | 9/2011 | Faranda et al. | | D14/480.5 |
| D656,096 S * | 3/2012 | Sasada et al. | | D13/108 |
| D659,094 S * | 5/2012 | Brand et al. | | D13/108 |
| D663,684 S * | 7/2012 | Yang | | D13/108 |
| D663,685 S * | 7/2012 | Yang | | D13/108 |

| | | | | |
|------------------|--------|-------------------|-------|-----------|
| D680,063 S * | 4/2013 | Sasada | | D13/103 |
| D683,350 S * | 5/2013 | Jarosinski et al. | | D14/480.5 |
| 2012/0149220 A1* | 6/2012 | Lin et al. | | 439/131 |

OTHER PUBLICATIONS

Imation, [online], [retrieved on Aug. 23, 2006]. Retrieved from the Internet <URL: <http://www.ameinfo.com/images/news/7/23787-imation.jpg>>.*

KeyJuice for Micro/Mini USB—Mobile Devices at iGo, Inc., [online], [retrieved on Jun. 17, 2011]. Retrieved from the Internet <URL: <http://www.igo.com/mobile-devices/keyjuice-for-micromini-usb/inv/ps002910001/>>.*

Keyjuice Ipod Iphone & Ipad Sync & Charge Your Iphone Ipod—ANTOnline.com, [online], [retrieved on Jun. 14, 2011]. Retrieved from the Internet <URL: http://www.antonline.com/p_PS00290-0001-NX_884402.htm?sID=NX>.*

* cited by examiner

Primary Examiner — Karen E Kearney

(74) *Attorney, Agent, or Firm* — Ming Chow; Sinorica, LLC

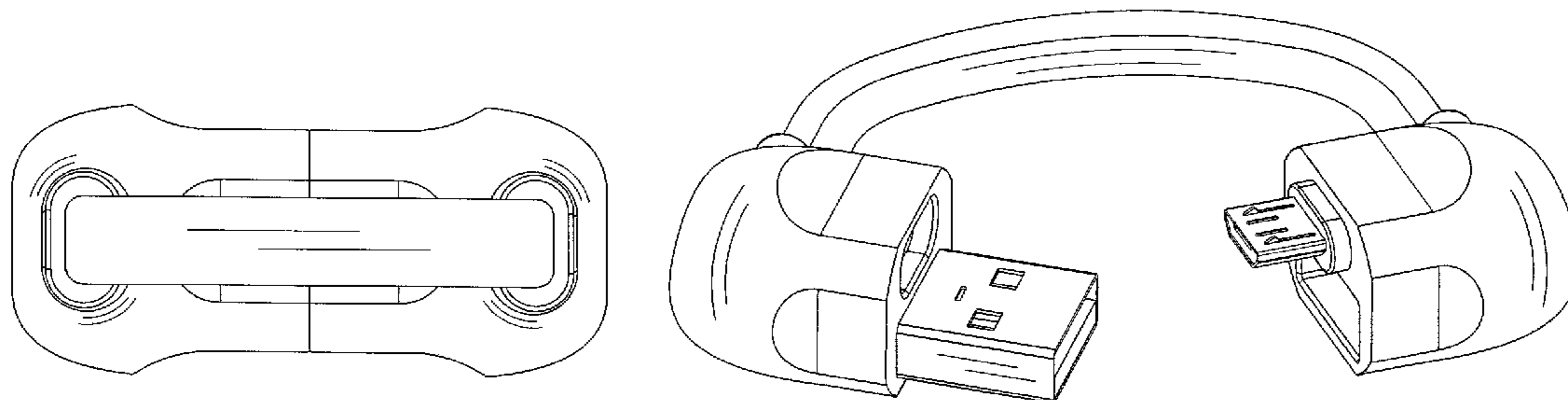
(57) **CLAIM**

The ornamental design for a USB cable, as shown and described.

DESCRIPTION

FIG. 1 shows a perspective view of the present design
FIG. 2 shows a right view thereof;
FIG. 3 shows a top view thereof;
FIG. 4 shows a front view thereof;
FIG. 5 shows a bottom view thereof;
FIG. 6 shows a left view thereof;
FIG. 7 shows a rear view thereof; and,
FIG. 8 is a perspective view, showing the connectors being disengaged.

1 Claim, 8 Drawing Sheets



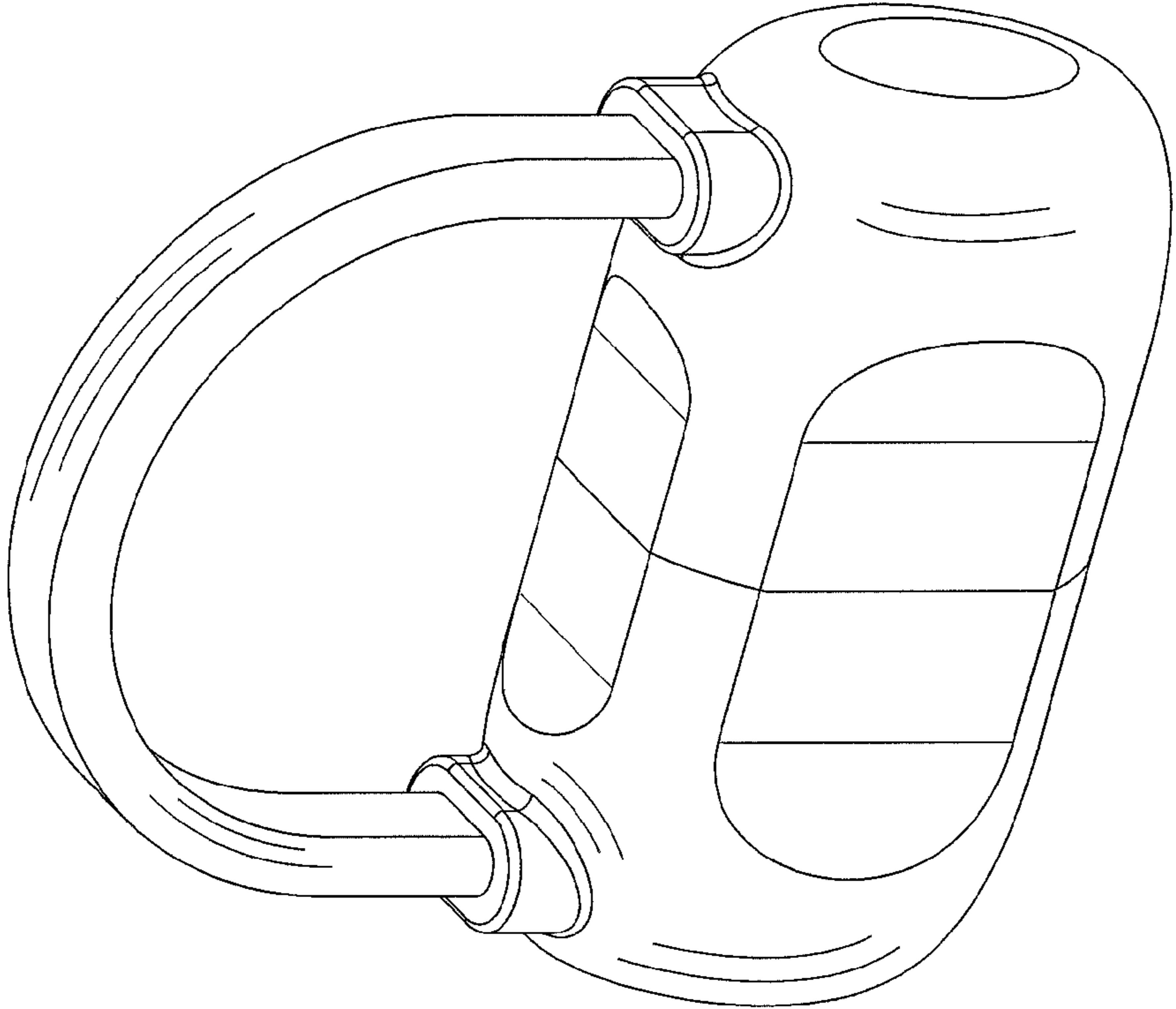


FIG. 1

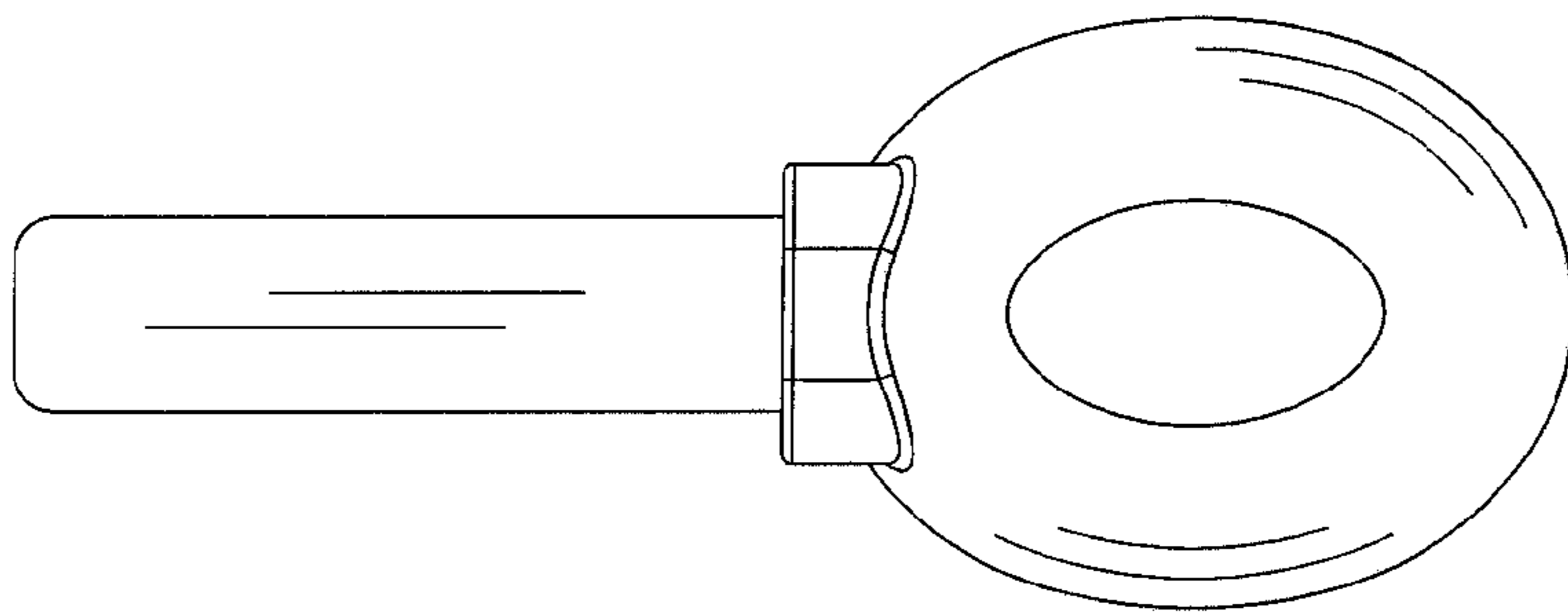


FIG. 2

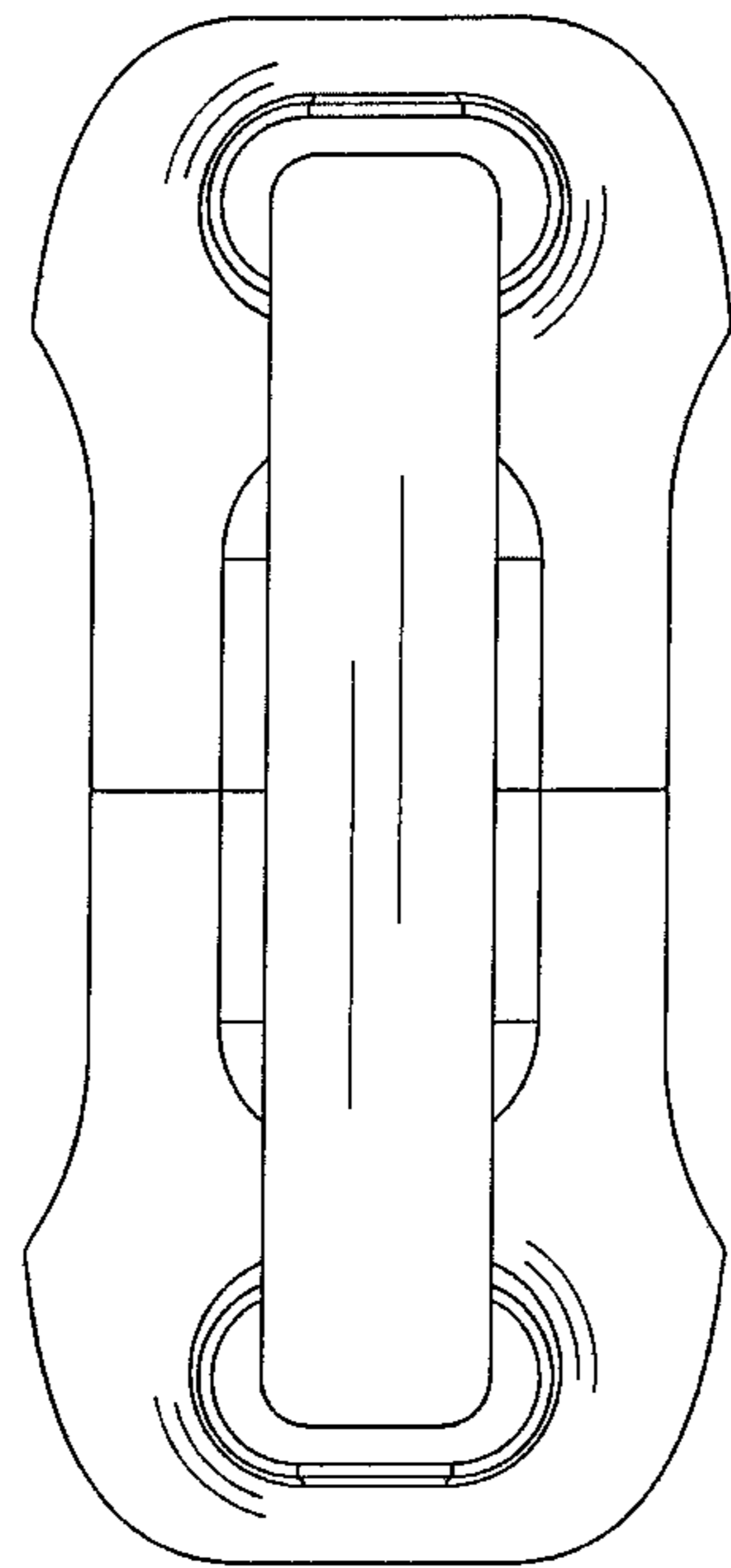


FIG. 3

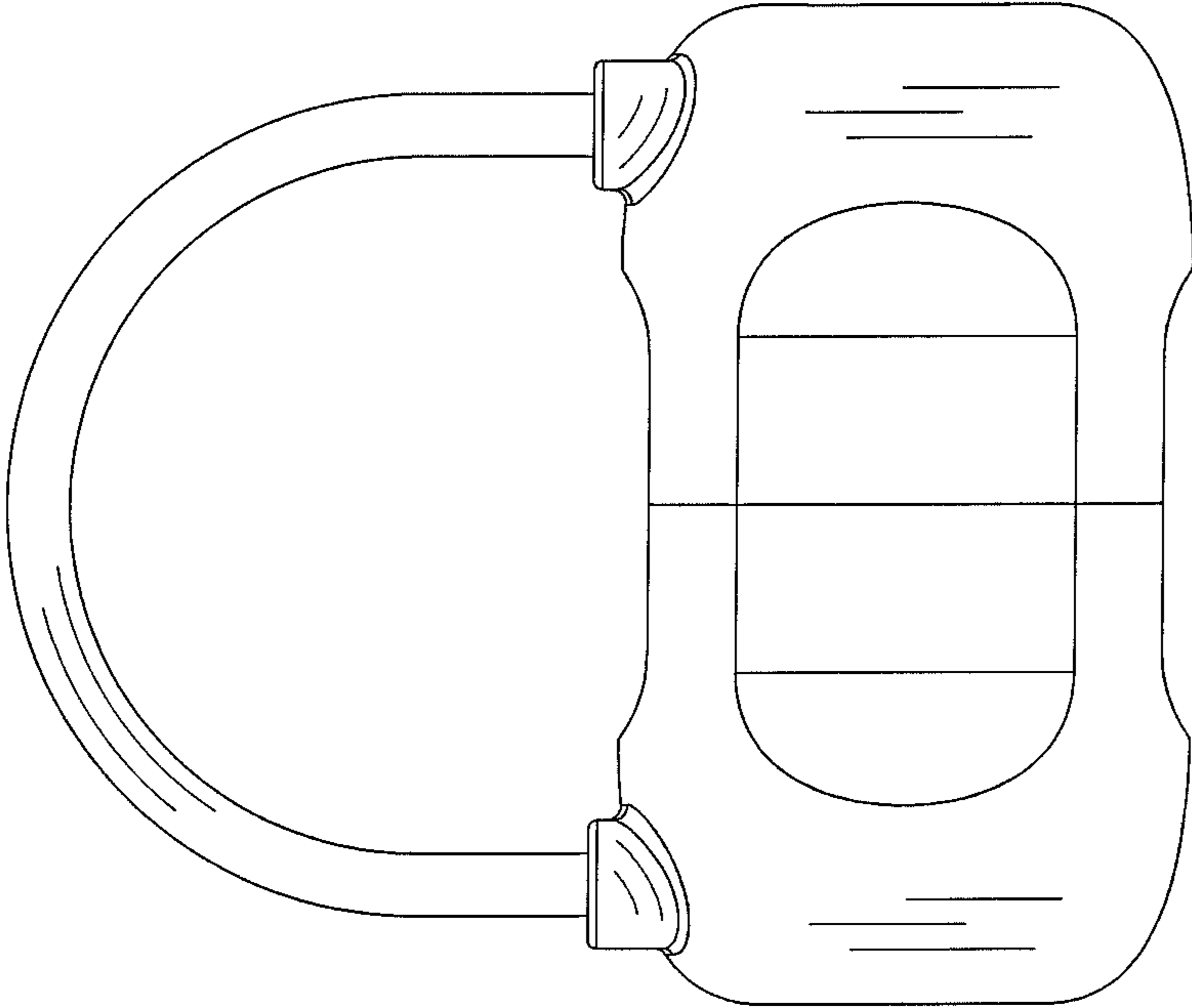


FIG. 4

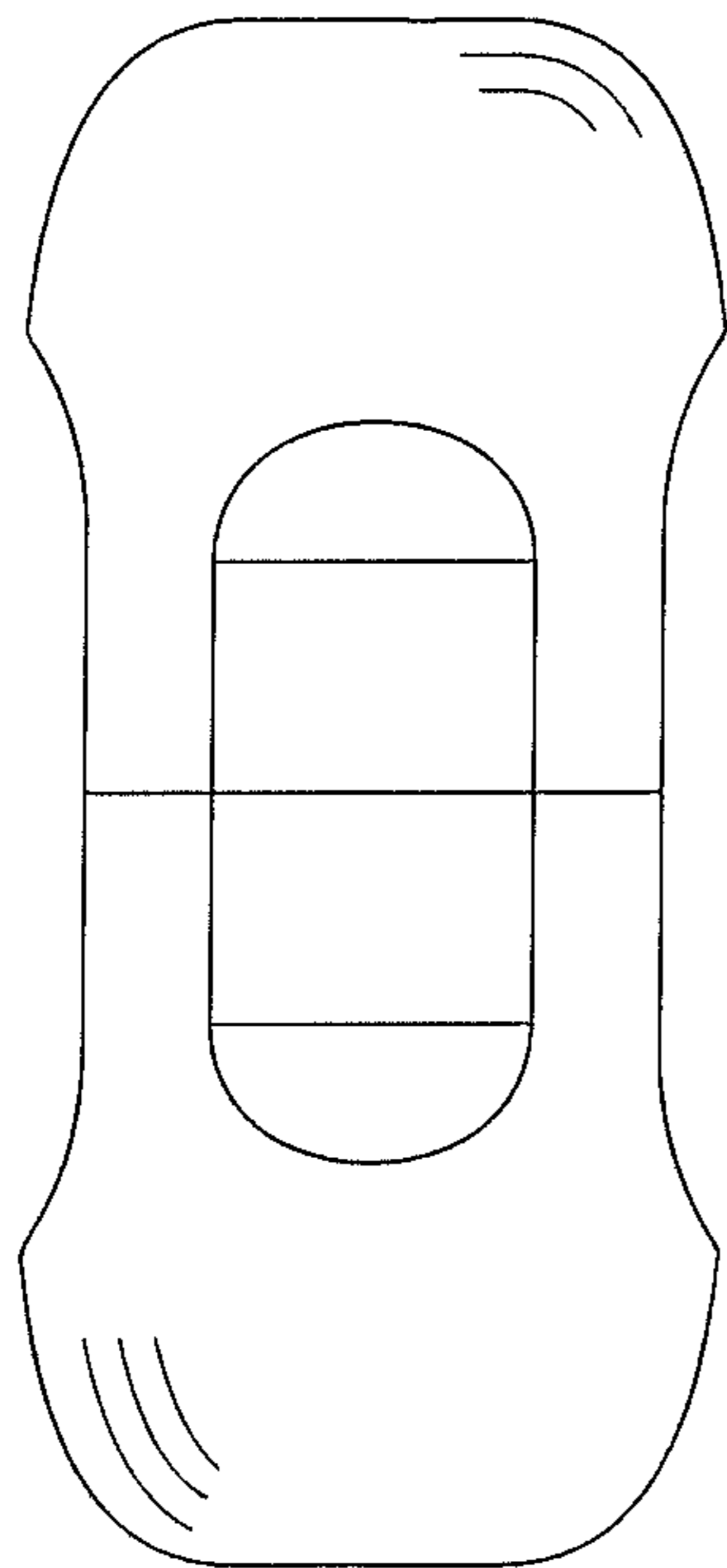


FIG. 5

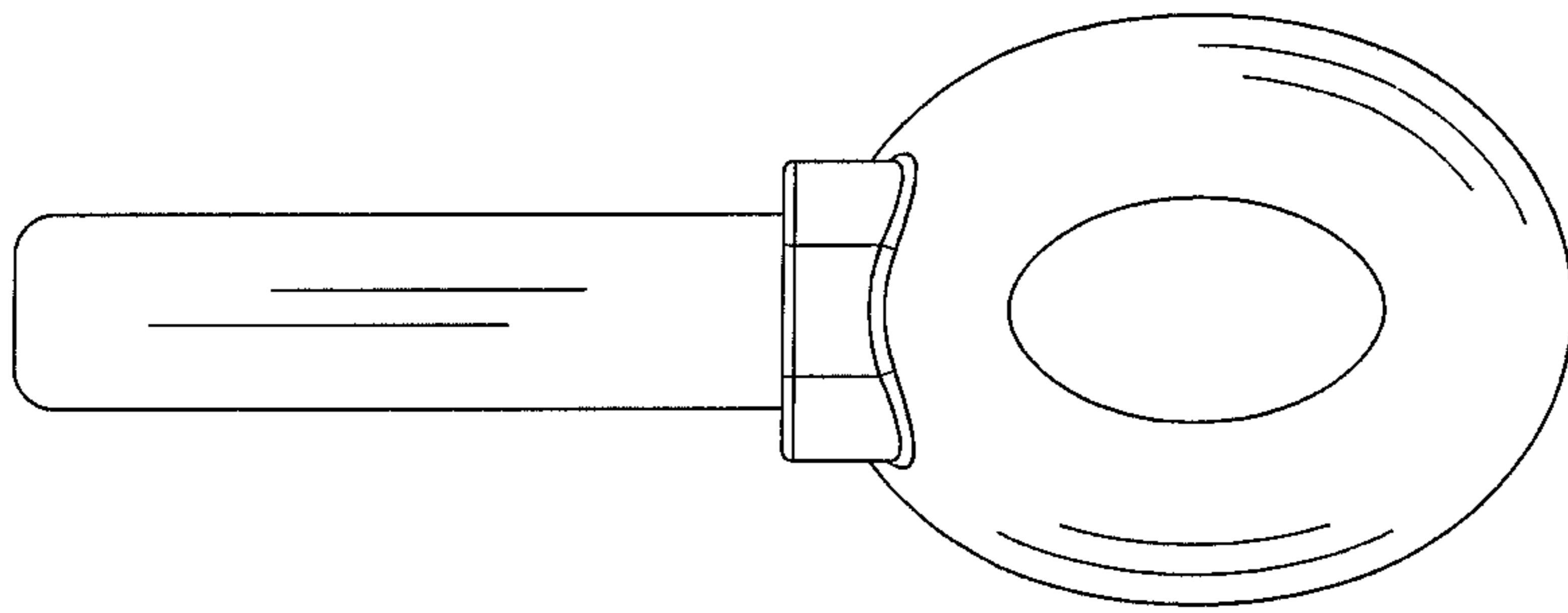


FIG. 6

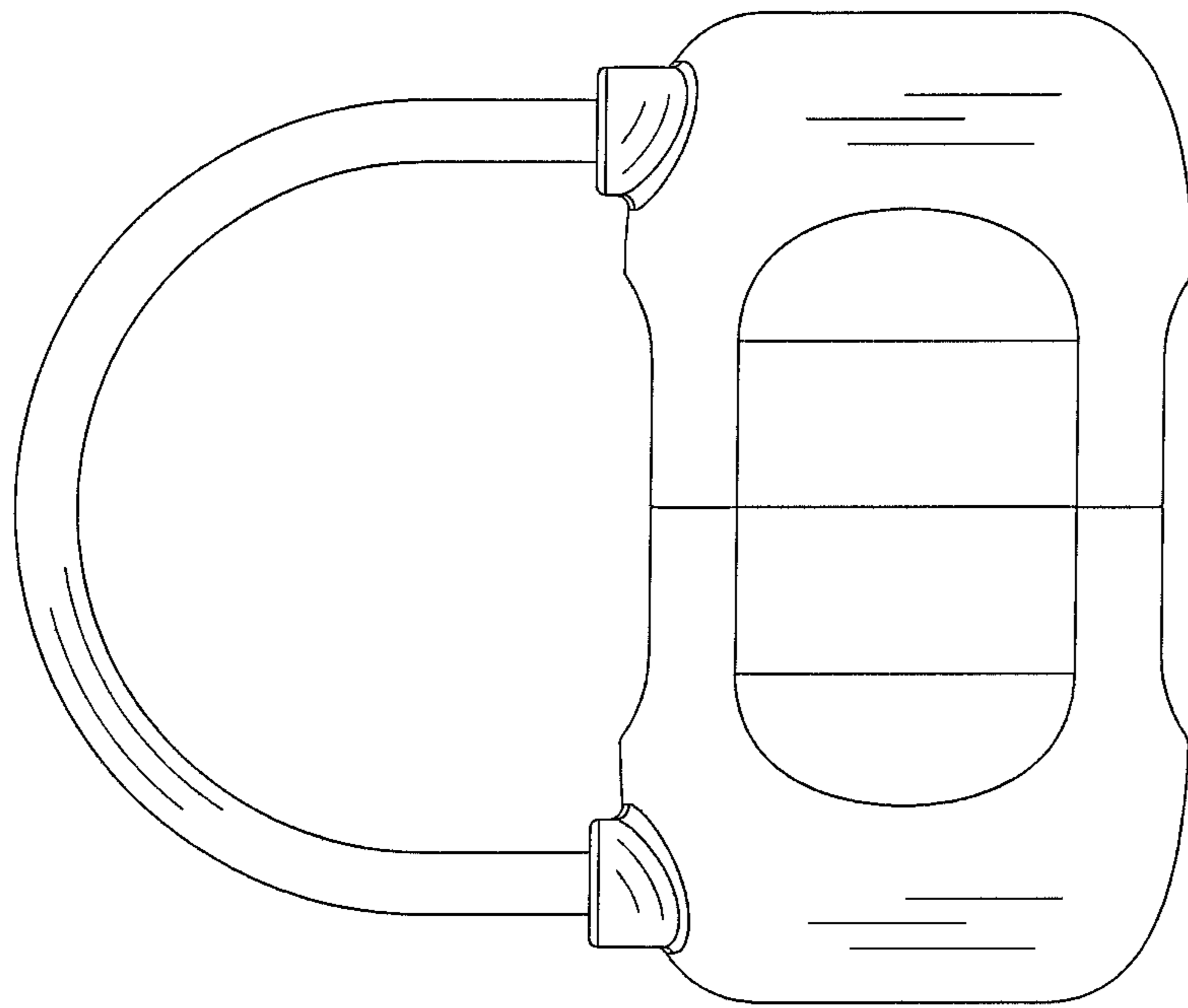


FIG. 7

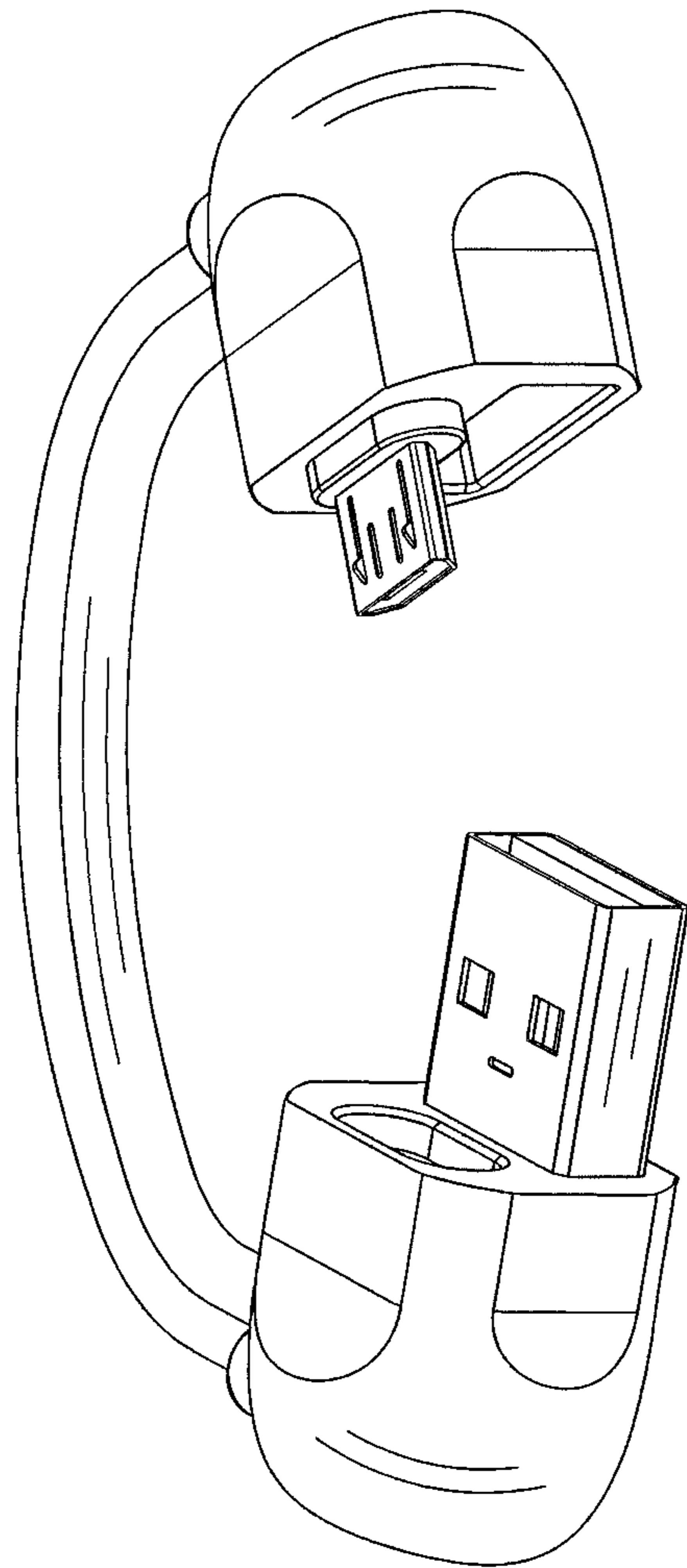


FIG. 8