

US00D702690S

(12) **United States Design Patent**
Lin et al.

(10) **Patent No.:** **US D702,690 S**

(45) **Date of Patent:** **** Apr. 15, 2014**

(54) **MEMORY MODULE**

(71) Applicants: **Yi-Ting Lin**, Hsinchu (TW); **Hsi-Ming Tsai**, Hsinchu (TW); **Peter Leekuo Chou**, Fountain Valley, CA (US); **Yu-Hau Chen**, Hsinchu (TW)

(72) Inventors: **Yi-Ting Lin**, Hsinchu (TW); **Hsi-Ming Tsai**, Hsinchu (TW); **Peter Leekuo Chou**, Fountain Valley, CA (US); **Yu-Hau Chen**, Hsinchu (TW)

(73) Assignee: **Kingston Digital, Inc.**, Fountain Valley, CA (US)

(**) Term: **14 Years**

(21) Appl. No.: **29/434,821**

(22) Filed: **Oct. 17, 2012**

(51) **LOC (10) Cl.** **14-02**

(52) **U.S. Cl.**
USPC **D14/435; D14/436**

(58) **Field of Classification Search**
USPC D14/435, 356, 242, 436, 433, 474, 240, D14/496, 385, 358, 480.1-480.7; 360/97.01, 685, 686, 752, 737, 732, 360/784, 803; 439/135, 144, 139-141, 147, 439/136, 638, 518, 131; 365/51, 63, 131; 710/52, 300, 313; 711/115, 103, 154, 711/161-162; 70/58; 323/210; 713/186, 1; 382/124; 235/492; D13/147
See application file for complete search history.

(56) **References Cited**

U.S. PATENT DOCUMENTS

D219,274 S	*	11/1970	Huebner et al.	D14/438
D259,783 S	*	7/1981	Mochizuki et al.	D13/182
D260,515 S	*	9/1981	Welch et al.	D14/435
D260,881 S	*	9/1981	McKinsey et al.	D14/435
D261,644 S	*	11/1981	McKinsey et al.	D14/435
D261,760 S	*	11/1981	Dlugos	D14/438

D294,020 S	*	2/1988	Yukawa	D14/435
D294,579 S	*	3/1988	Kirpluk et al.	D14/438
D296,787 S	*	7/1988	Hidaka et al.	D14/438
5,010,444 A	*	4/1991	Storrow et al.	361/719
D320,203 S	*	9/1991	Ashida	D14/438
D337,575 S	*	7/1993	Tse	D14/438
D344,725 S	*	3/1994	Barr et al.	D14/435
D348,258 S	*	6/1994	Giampaolo	D14/438
D350,951 S	*	9/1994	Tseng	D14/435
D364,861 S	*	12/1995	Luong	D14/436
D375,304 S	*	11/1996	Takahata et al.	D14/435
D376,795 S	*	12/1996	Ashida	D14/438
D377,488 S	*	1/1997	Ashida	D14/438
D381,977 S	*	8/1997	Nagata et al.	D14/438
D392,644 S	*	3/1998	McGugan	D14/240
D393,459 S	*	4/1998	Barbeau et al.	D14/438
D410,644 S	*	6/1999	Iftikar et al.	D14/435
D411,841 S	*	7/1999	Vanderheyden et al.	D14/435
D413,592 S	*	9/1999	Saliba et al.	D14/435
D415,132 S	*	10/1999	Homma et al.	D14/436
5,964,595 A	*	10/1999	Centofante	439/76.1
D416,886 S	*	11/1999	Hirai et al.	D14/436

(Continued)

Primary Examiner — Susan Moon Lee

(74) *Attorney, Agent, or Firm* — Morris Manning & Martin LLP; Tim Tingkang Xia, Esq.

(57) **CLAIM**

The ornamental design for a memory module, as shown and described.

DESCRIPTION

FIG. 1 is a perspective view of a memory module showing the claimed design;

FIG. 2 is a front elevational view thereof;

FIG. 3 is a rear elevational view thereof;

FIG. 4 is a left side elevational view thereof;

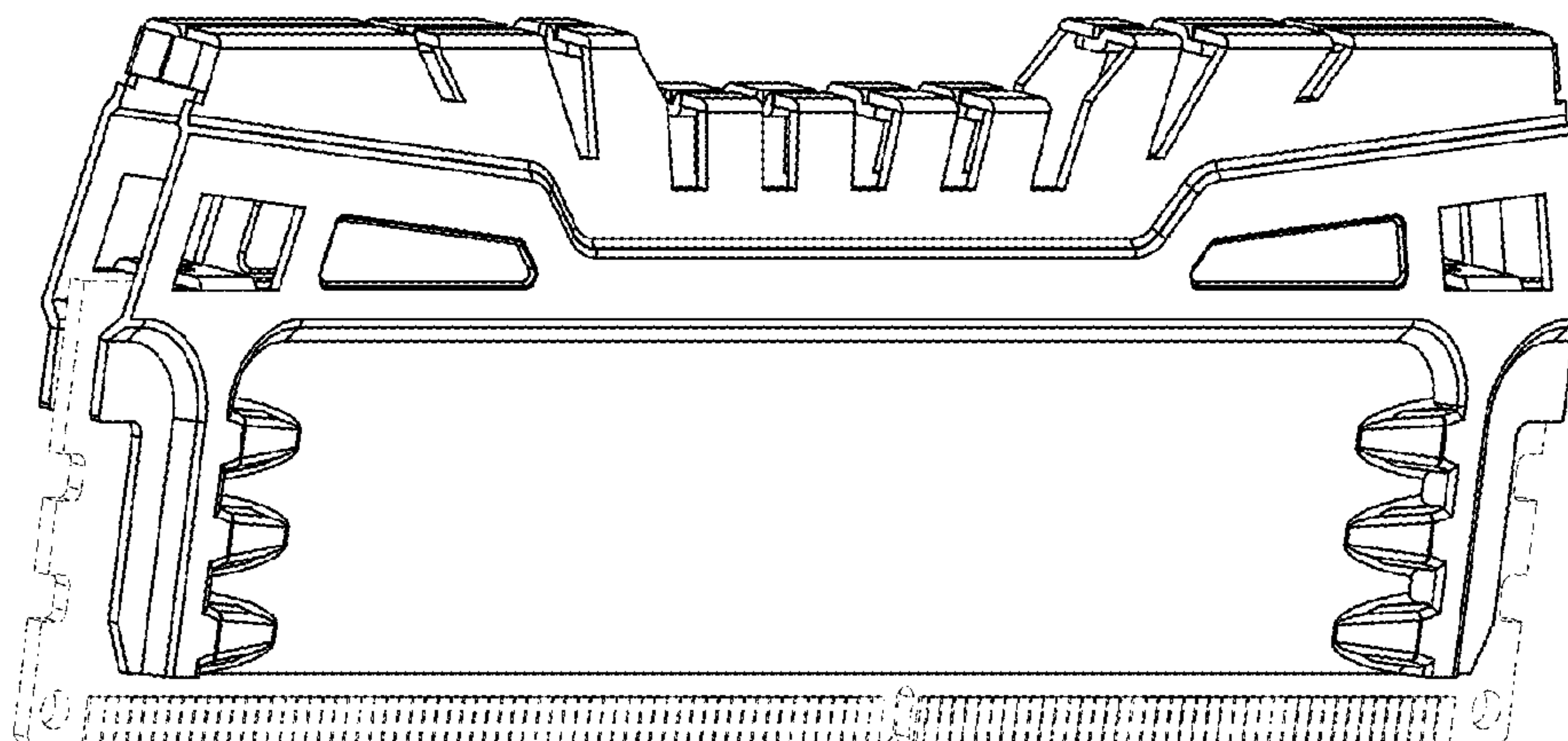
FIG. 5 is a right side elevational view thereof;

FIG. 6 is a top plan view thereof; and,

FIG. 7 is a bottom plan view thereof.

The broken lines are directed to environment and are for illustrative purpose only; the broken lines form no part of the claimed design.

1 Claim, 4 Drawing Sheets



(56)

References Cited

U.S. PATENT DOCUMENTS

5,982,624 A * 11/1999 Onoda et al. 361/737
 D422,981 S * 4/2000 Sumner et al. D14/435
 D428,013 S * 7/2000 Fairchild et al. D14/435
 D432,096 S * 10/2000 Jeon et al. D13/182
 D437,323 S * 2/2001 Sugino et al. D14/435
 D437,856 S * 2/2001 Ohanian D14/436
 D449,835 S * 10/2001 Ohtani D14/436
 D468,743 S * 1/2003 Kawanobe et al. D14/435
 D471,541 S * 3/2003 Tomino et al. D14/240
 D502,181 S * 2/2005 Hong et al. D14/436
 D504,433 S * 4/2005 Nishizawa et al. D14/436

D509,219 S * 9/2005 Avery D14/435
 D520,015 S * 5/2006 Peddle D14/435
 D523,859 S * 6/2006 Deckers D14/435
 D529,031 S * 9/2006 Huang et al. D14/436
 D539,275 S * 3/2007 Furuya et al. D14/240
 7,265,989 B2 * 9/2007 Son et al. 361/737
 D556,763 S * 12/2007 Hsiau D14/436
 D571,809 S * 6/2008 Liu et al. D14/433
 D604,738 S * 11/2009 Matsumoto et al. D14/436
 D655,697 S * 3/2012 Petsch D14/240
 D660,828 S * 5/2012 Petsch D14/240
 D663,293 S * 7/2012 MacManus et al. D14/240
 D673,921 S * 1/2013 Ozawa D13/182
 2013/0223001 A1 * 8/2013 Ryu et al. 361/679.32

* cited by examiner

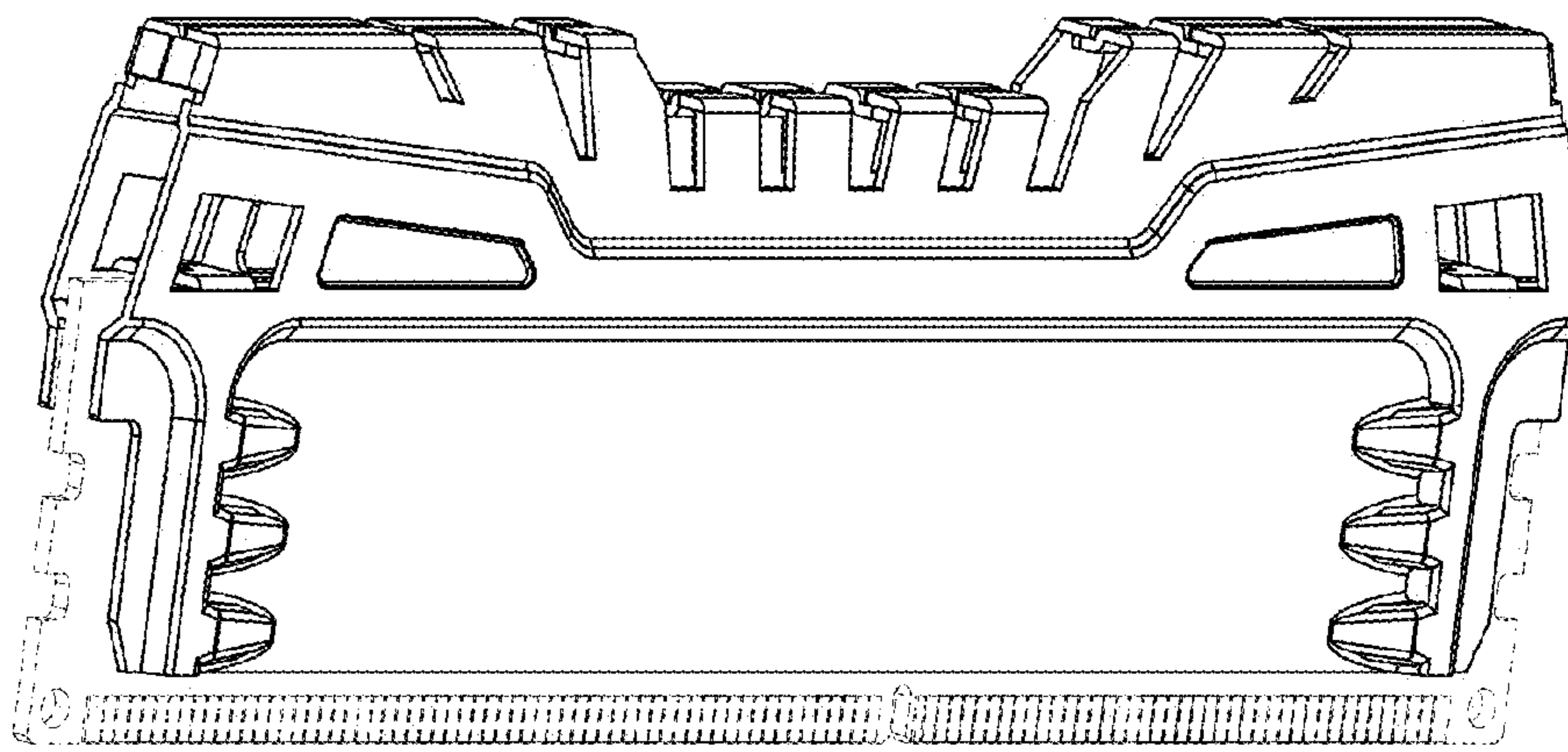


FIG. 1

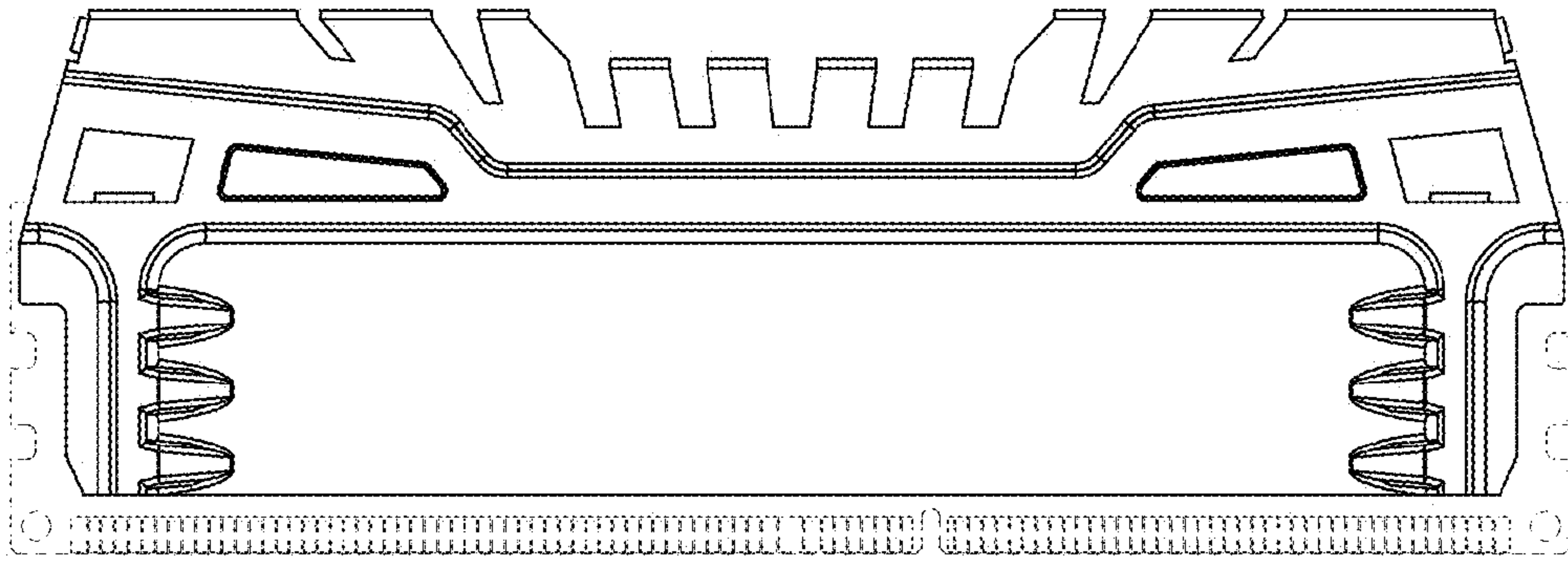


FIG. 2

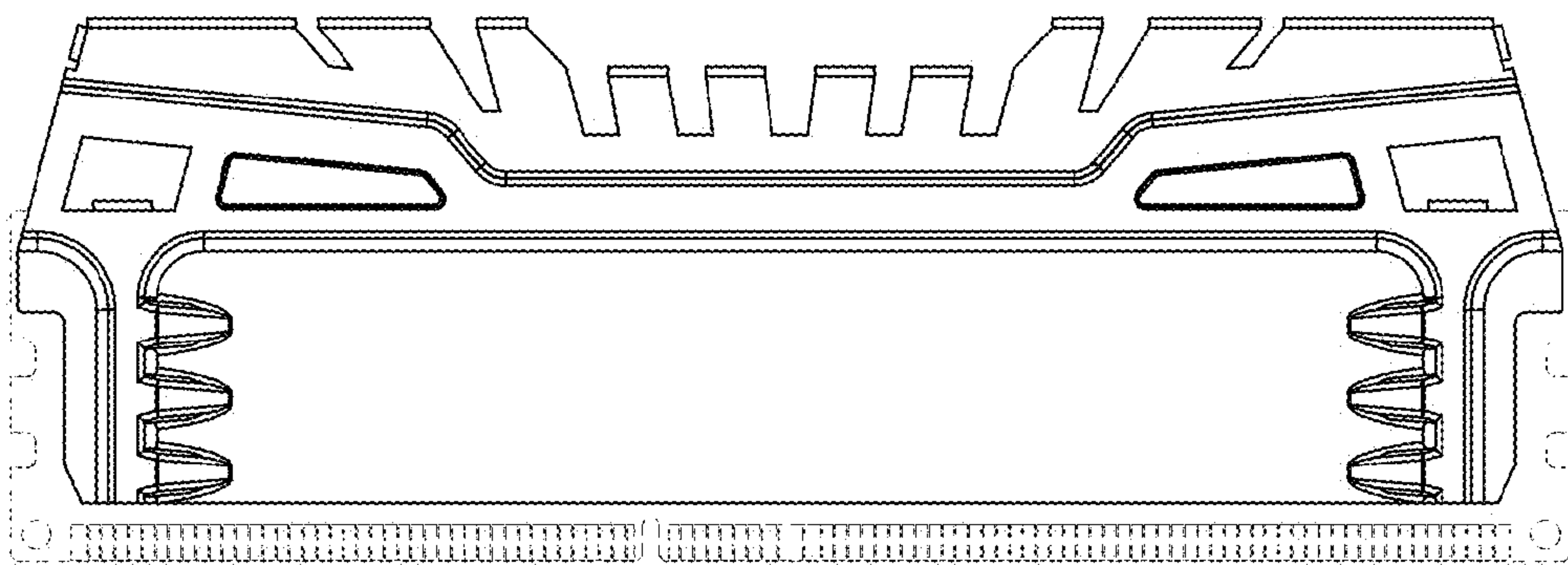


FIG. 3

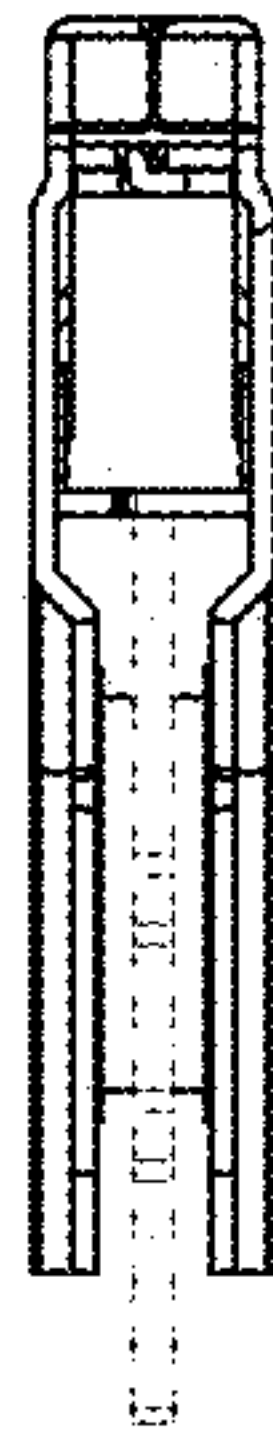


FIG.4

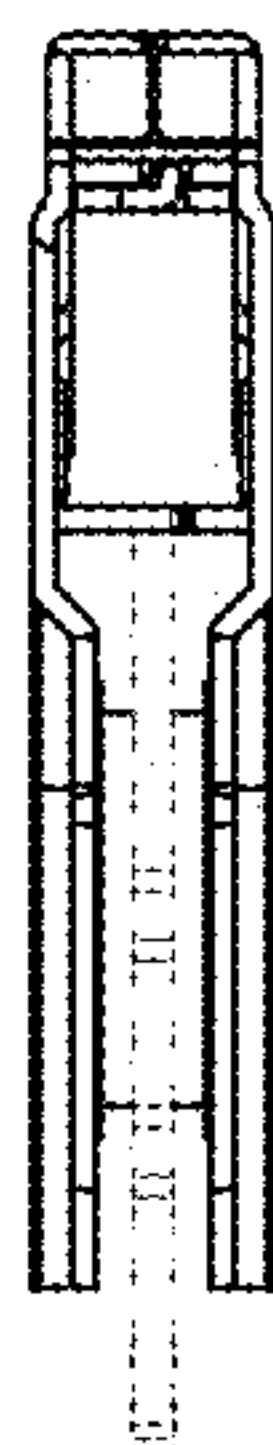


FIG.5

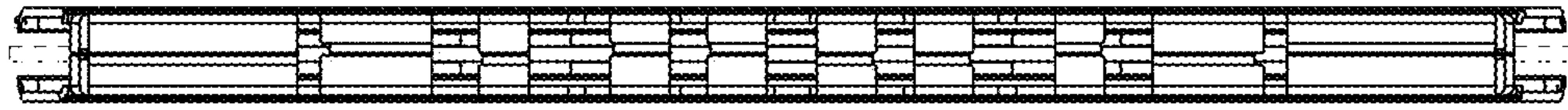


FIG. 6

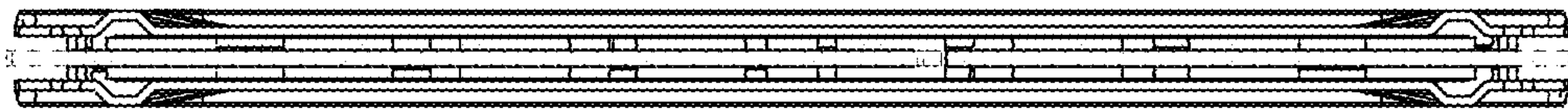


FIG. 7