



US00D702689S

(12) **United States Design Patent**
Lin et al.

(10) **Patent No.:** **US D702,689 S**
(45) **Date of Patent:** **** Apr. 15, 2014**

(54) **MEMORY MODULE**

(75) Inventors: **Yi-Ting Lin**, Hsinchu (TW); **Hsi-Ming Tsai**, Hsinchu (TW); **Peter Leekuo Chou**, Fountain Valley, CA (US)

(73) Assignee: **Kingston Digital, Inc.**, Fountain Valley, CA (US)

(**) Term: **14 Years**

(21) Appl. No.: **29/429,887**

(22) Filed: **Aug. 17, 2012**

(51) **LOC (10) Cl.** **14-02**

(52) **U.S. Cl.**
USPC **D14/435; D14/436**

(58) **Field of Classification Search**
USPC D14/435, 356, 242, 436, 433, 474, 240, D14/496, 385, 358, 480.1–480.7; 360/97.01, 685, 686, 752, 737, 732, 360/784, 803; 439/135, 144, 139–141, 147, 439/136, 638, 518, 131; 365/51, 63, 131; 710/52, 300, 313; 711/115, 103, 154, 711/161–162; 70/58; 323/210; 713/186, 1; 382/124; 235/492; D13/147
See application file for complete search history.

D320,203 S * 9/1991 Ashida D14/438
D337,575 S * 7/1993 Tse D14/438
D344,725 S * 3/1994 Barr et al. D14/435
D348,258 S * 6/1994 Giompaolo D14/438
D350,951 S * 9/1994 Tseng D14/435
D364,861 S * 12/1995 Luong D14/436
D375,304 S * 11/1996 Takahata et al. D14/435
D376,795 S * 12/1996 Ashida D14/438
D377,488 S * 1/1997 Ashida D14/438
D381,977 S * 8/1997 Nagata et al. D14/438
D392,644 S * 3/1998 McGugan D14/240
D393,459 S * 4/1998 Barbeau et al. D14/438
D410,644 S * 6/1999 Iftikar et al. D14/435
D411,841 S * 7/1999 Vanderheyden et al. D14/435
D413,592 S * 9/1999 Saliba et al. D14/435
D415,132 S * 10/1999 Homma et al. D14/436
5,964,595 A * 10/1999 Centofante 439/76.1
D416,886 S * 11/1999 Hirai et al. D14/436
5,982,624 A * 11/1999 Onoda et al. 361/737
D422,981 S * 4/2000 Sumner et al. D14/435
D428,013 S * 7/2000 Fairchild et al. D14/435
D432,096 S * 10/2000 Jeon et al. D13/182
D437,323 S * 2/2001 Sugino et al. D14/435

(Continued)

Primary Examiner — Susan Moon Lee

(74) *Attorney, Agent, or Firm* — Morris Manning & Martin LLP; Tim Tingkang Xia, Esq.

(57) **CLAIM**

The ornamental design for a memory module, as shown and described.

(56) **References Cited**

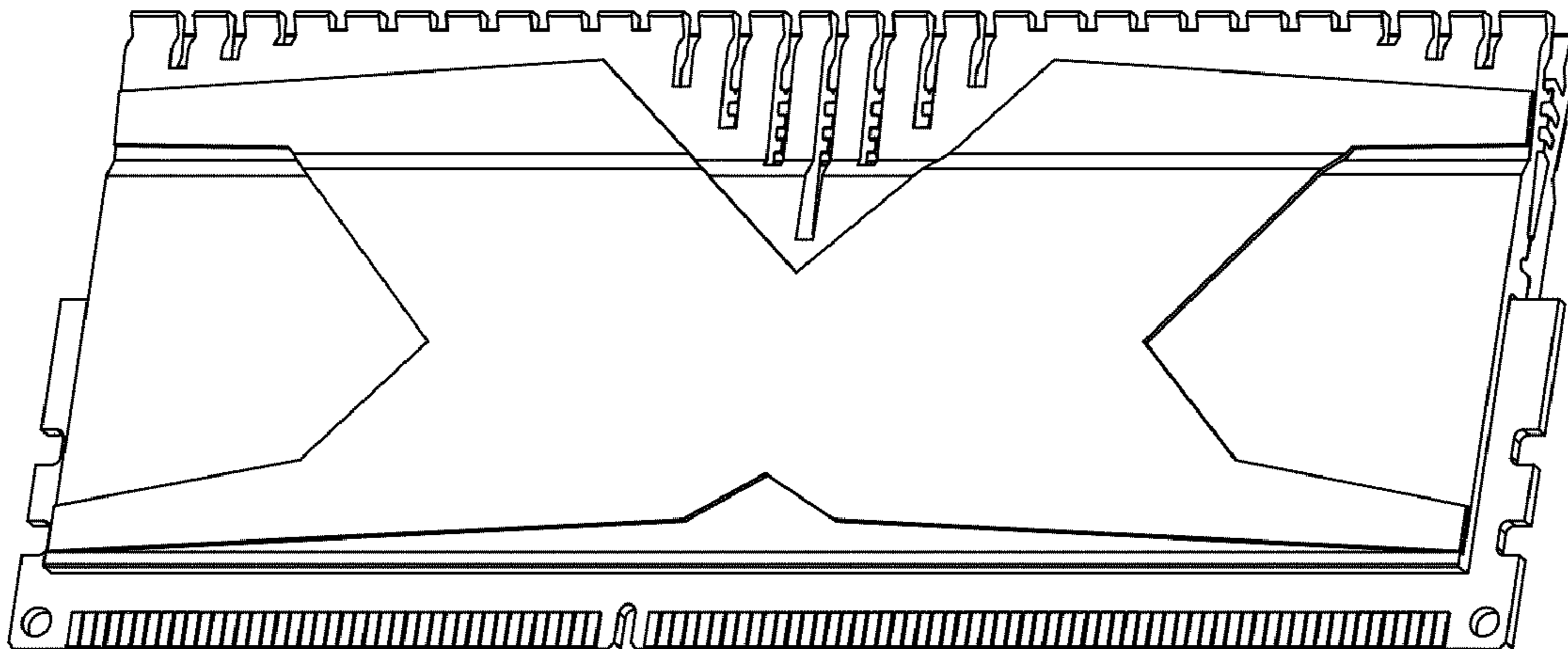
U.S. PATENT DOCUMENTS

D219,274 S * 11/1970 Huebner et al. D14/438
D259,783 S * 7/1981 Mochizuki et al. D13/182
D260,515 S * 9/1981 Welch et al. D14/435
D260,881 S * 9/1981 McKinsey et al. D14/435
D261,644 S * 11/1981 McKinsey et al. D14/435
D261,760 S * 11/1981 Dlugos D14/438
D294,020 S * 2/1988 Yukawa D14/435
D294,579 S * 3/1988 Kirpluk et al. D14/438
D296,787 S * 7/1988 Hidaka et al. D14/438
5,010,444 A * 4/1991 Storrow et al. 361/719

DESCRIPTION

FIG. 1 is a perspective view of a memory module showing the claimed design;
FIG. 2 is a front elevational view thereof;
FIG. 3 is a rear elevational view thereof;
FIG. 4 is a left side elevational view thereof;
FIG. 5 is a right side elevational view thereof;
FIG. 6 is a top plan view thereof; and,
FIG. 7 is a bottom plan view thereof.

1 Claim, 4 Drawing Sheets



(56)

References Cited

U.S. PATENT DOCUMENTS

D437,856 S * 2/2001 Ohanian D14/436
D449,835 S * 10/2001 Ohtani D14/436
D468,743 S * 1/2003 Kawanobe et al. D14/435
D471,541 S * 3/2003 Tomino et al. D14/240
D502,181 S * 2/2005 Hong et al. D14/436
D504,433 S * 4/2005 Nishizawa et al. D14/436
D509,219 S * 9/2005 Avery D14/435
D520,015 S * 5/2006 Peddle D14/435

D523,859 S * 6/2006 Deckers D14/435
D529,031 S * 9/2006 Huang et al. D14/436
D539,275 S * 3/2007 Furuya et al. D14/240
7,265,989 B2 * 9/2007 Son et al. 361/737
D556,763 S * 12/2007 Hsiau D14/436
D571,809 S * 6/2008 Liu et al. D14/433
D604,738 S * 11/2009 Matsumoto et al. D14/436
D655,697 S * 3/2012 Petsch D14/240
D660,828 S * 5/2012 Petsch D14/240
D663,293 S * 7/2012 MacManus et al. D14/240
D673,921 S * 1/2013 Ozawa D13/182

* cited by examiner

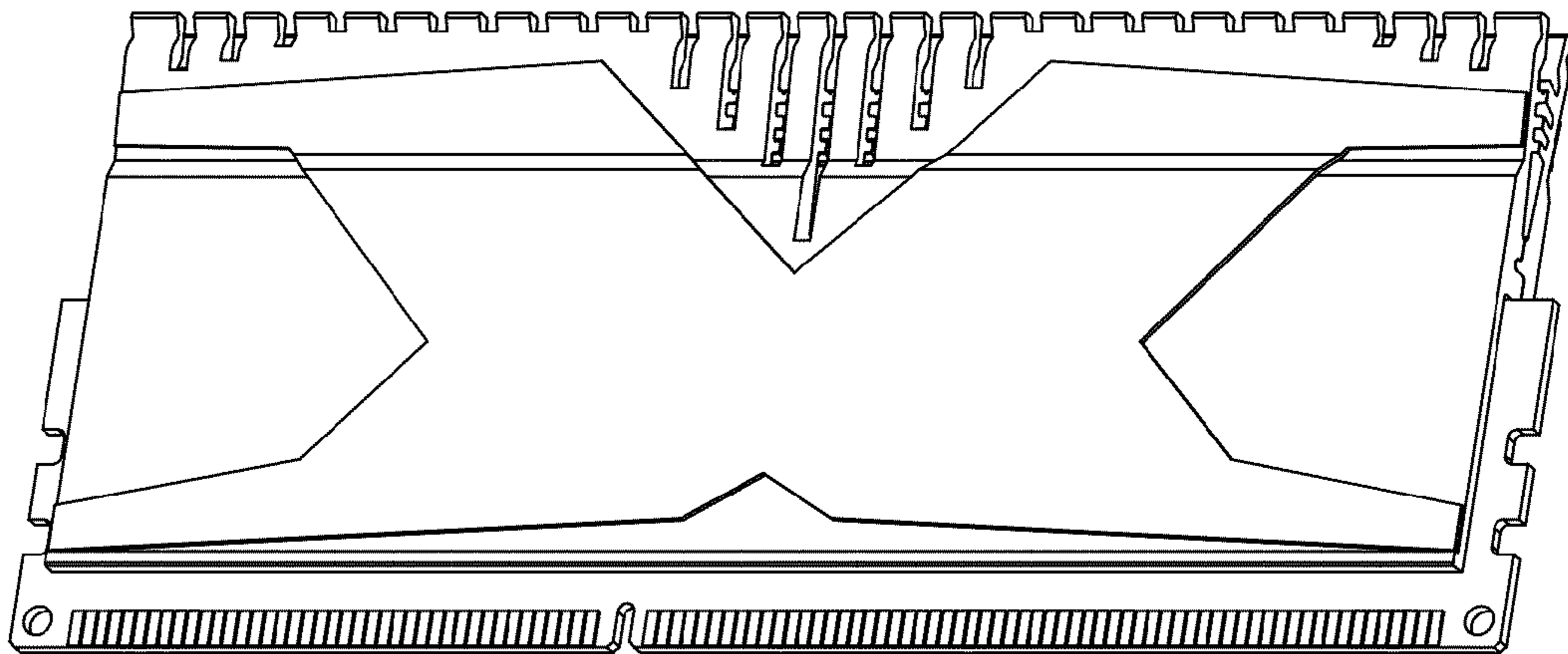


FIG. 1

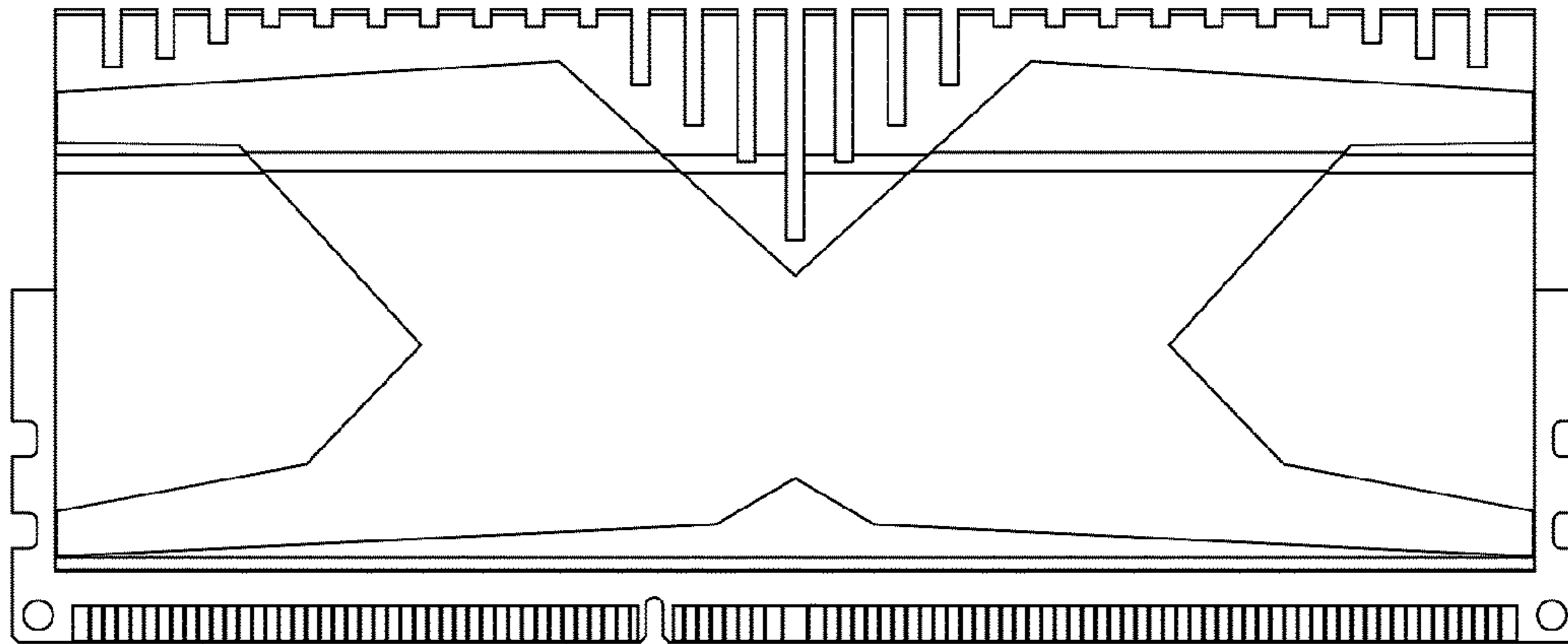


FIG. 2

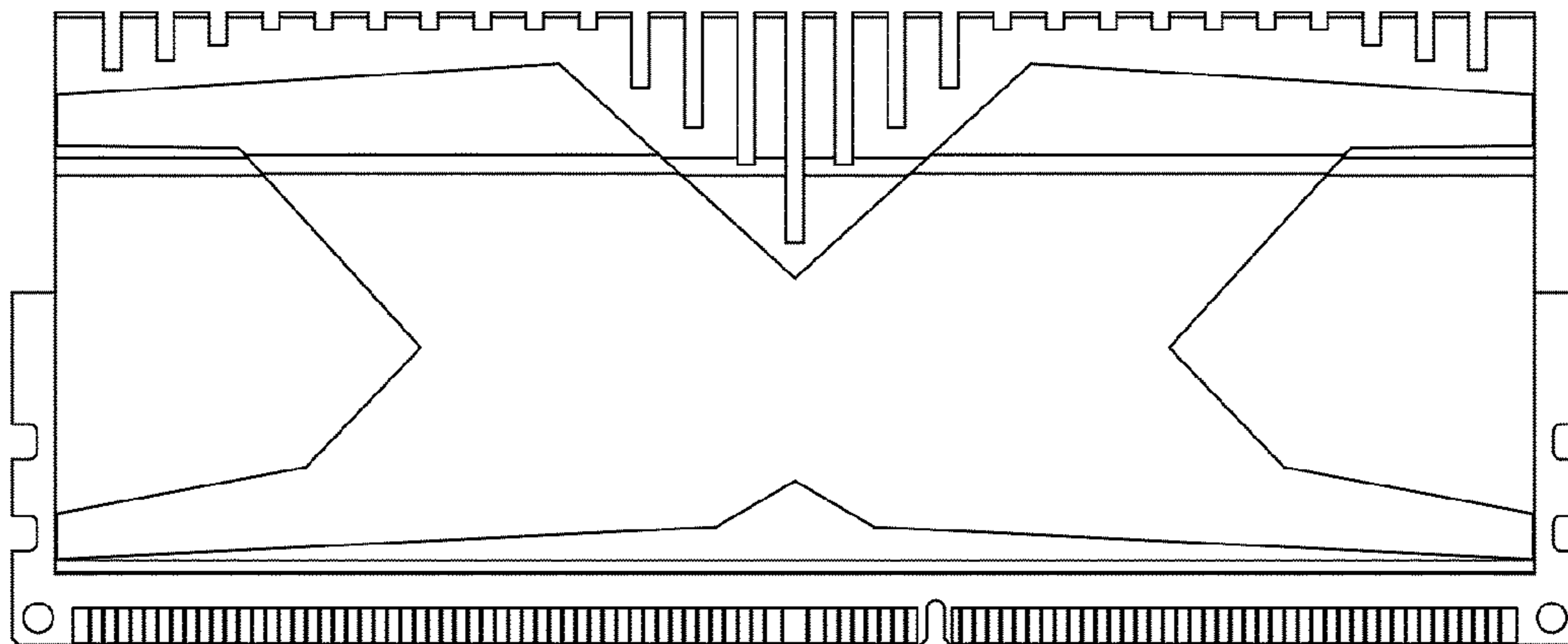


FIG. 3



FIG.4

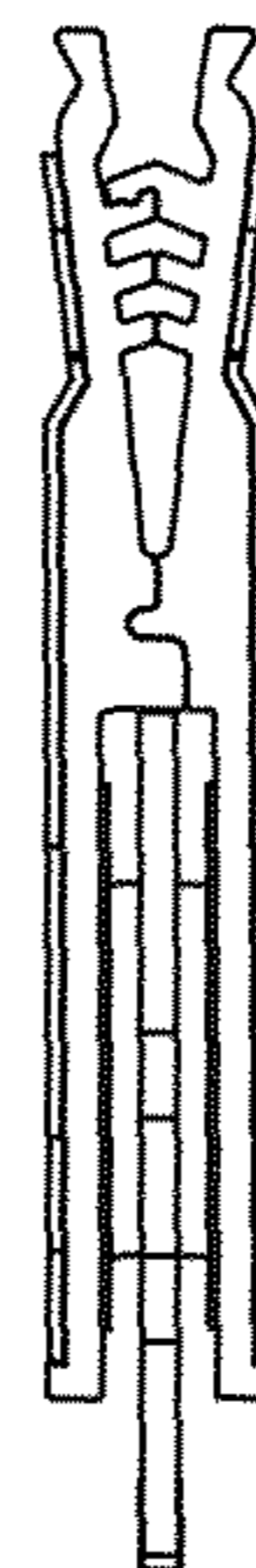


FIG.5

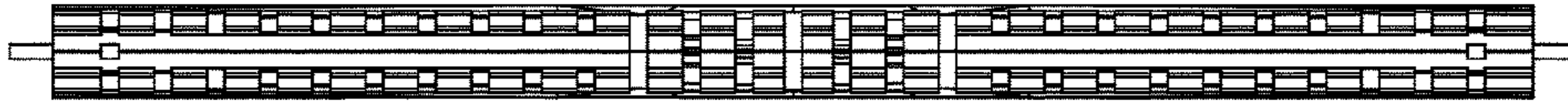


FIG. 6



FIG. 7