



US00D702688S

(12) **United States Design Patent**  
**Chu**

(10) **Patent No.:** **US D702,688 S**  
(45) **Date of Patent:** **\*\* Apr. 15, 2014**

- (54) **DESKTOP DOCKING STATION**
- (71) Applicant: **Wai Hong Chu**, Sheung Wan (HK)
- (72) Inventor: **Wai Hong Chu**, Sheung Wan (HK)
- (73) Assignee: **Electric Miser (HK) Limited**, Hong Kong (CN)
- (\*\*) Term: **14 Years**
- (21) Appl. No.: **29/440,661**
- (22) Filed: **Dec. 25, 2012**
- (51) **LOC (10) Cl.** ..... **14-02**
- (52) **U.S. Cl.**  
USPC ..... **D14/434**
- (58) **Field of Classification Search**  
USPC ..... D14/432-434, 314, 204, 420, 421, 447,  
D14/217, 358, 138 R, 140, 142; D13/107,  
D13/108, 146; D8/373; 248/346.03, 176.1;  
361/679.41, 679.31, 679.32, 679.4,  
361/679.43, 679.55, 679.58, 679.33;  
320/107, 109, 112-115; 710/15, 303;  
455/557; 439/347, 534  
See application file for complete search history.

(56) **References Cited**

**U.S. PATENT DOCUMENTS**

D433,994 S	11/2000	Jobs et al.	
D435,044 S *	12/2000	Oviatt et al.	D14/356
D438,202 S *	2/2001	Hui	D14/348
D458,266 S *	6/2002	Herath	D14/434
D540,327 S	4/2007	Wong et al.	
D574,326 S	8/2008	Lim	
D640,699 S *	6/2011	McParland	D14/434
D667,403 S *	9/2012	Maus	D14/385
D668,220 S	10/2012	Chu	

2007/0267998 A1 11/2007 Cohen et al.  
 2011/0089891 A1 4/2011 Pai  
 2012/0049798 A1 3/2012 Cohen et al.

**OTHER PUBLICATIONS**

U.S. Appl. No. 29/440,660, Chu.

\* cited by examiner

*Primary Examiner* — Freda S Nunn

(74) *Attorney, Agent, or Firm* — Douglas E. Denninger

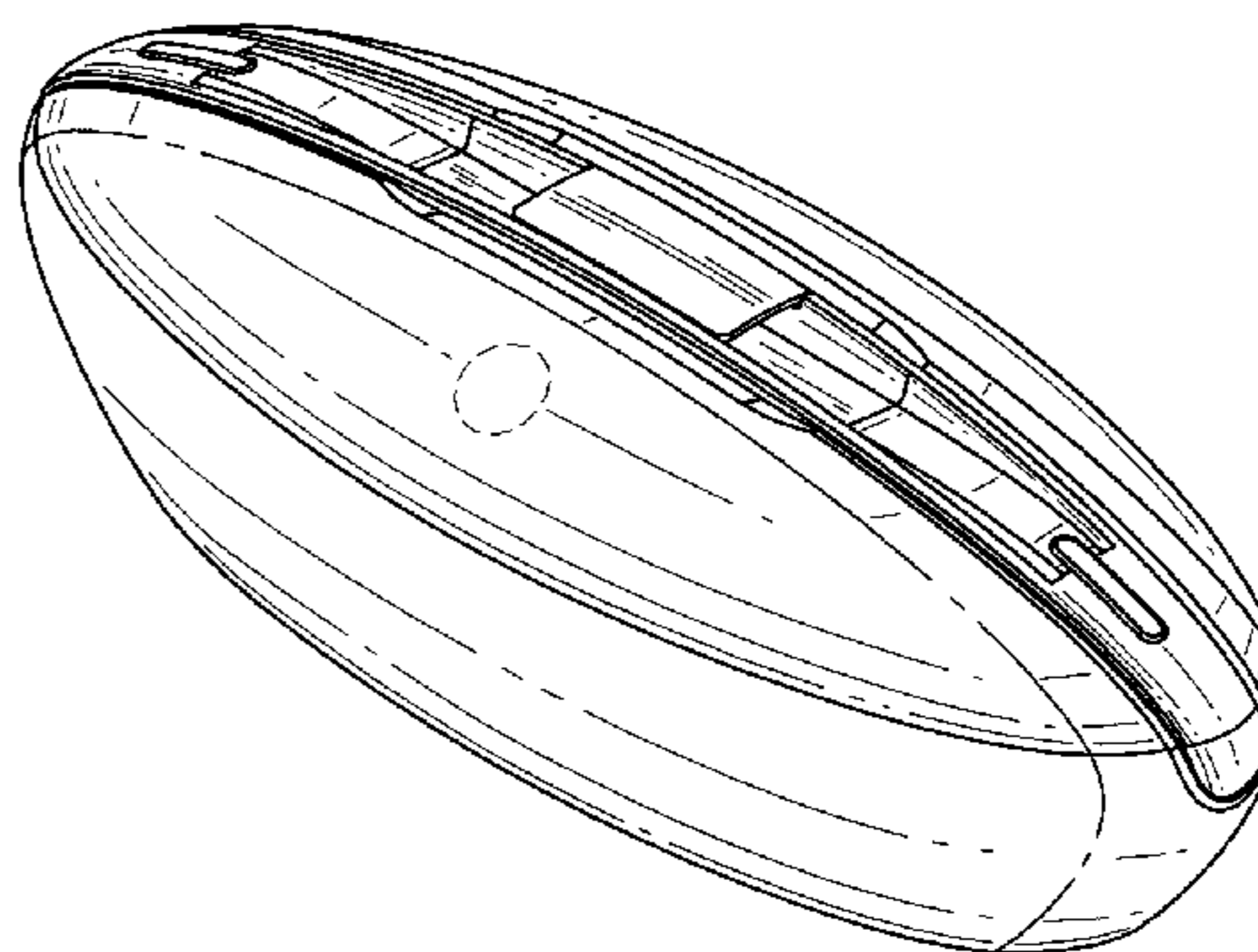
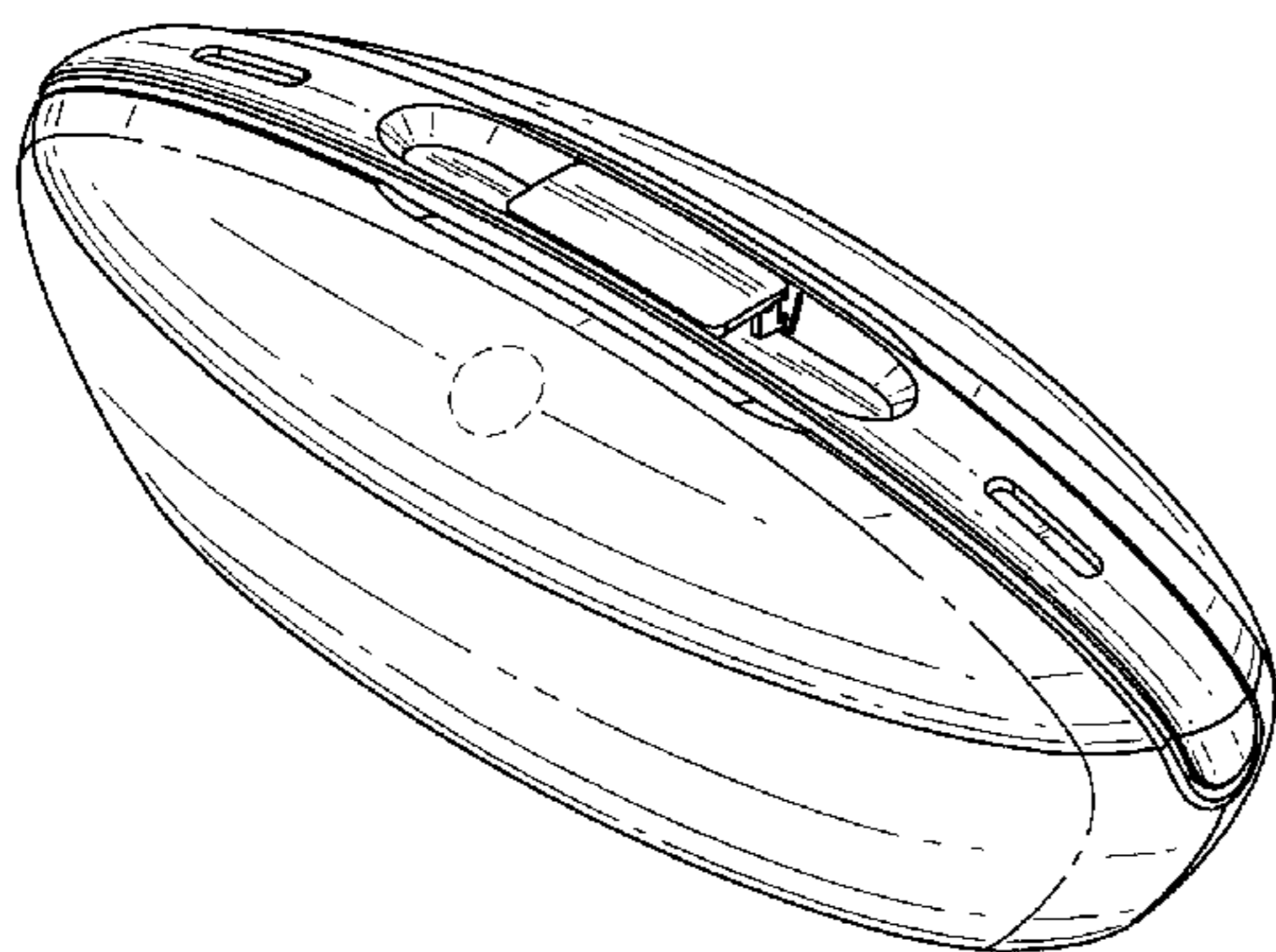
(57) **CLAIM**

I claim the ornamental design for a desktop docking station, as shown and described.

**DESCRIPTION**

FIG. 1 is a front perspective view of a first embodiment of the desktop docking station showing my new design; FIG. 2 is a rear perspective view thereof; FIG. 3 is a front elevation view thereof; FIG. 4 is a rear elevation view thereof; FIG. 5 is a right elevation view thereof; FIG. 6 is a left elevation view thereof; FIG. 7 is a top plan view thereof; FIG. 8 is a bottom plan view thereof; FIG. 9 is a front perspective view of a second embodiment of the desktop docking station; FIG. 10 is a rear perspective view thereof; FIG. 11 is a front elevation view thereof; FIG. 12 is a rear elevation view thereof; FIG. 13 is a right elevation view thereof; FIG. 14 is a left elevation view thereof; FIG. 15 is a top plan view thereof; and, FIG. 16 is a bottom plan view thereof. The broken lines shown represent unclaimed subject matter and form no part of the claimed design.

**1 Claim, 6 Drawing Sheets**



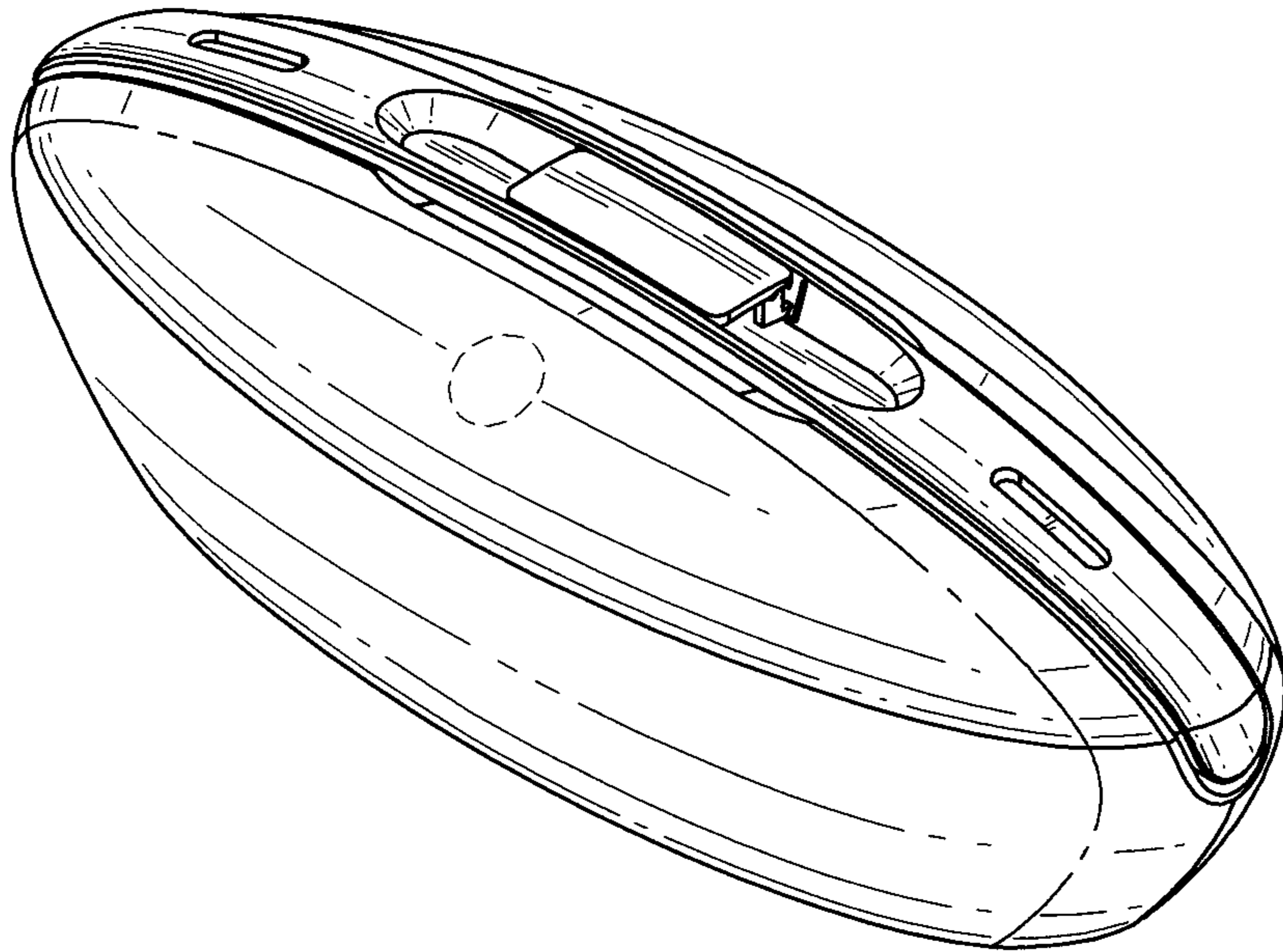


FIG. 1

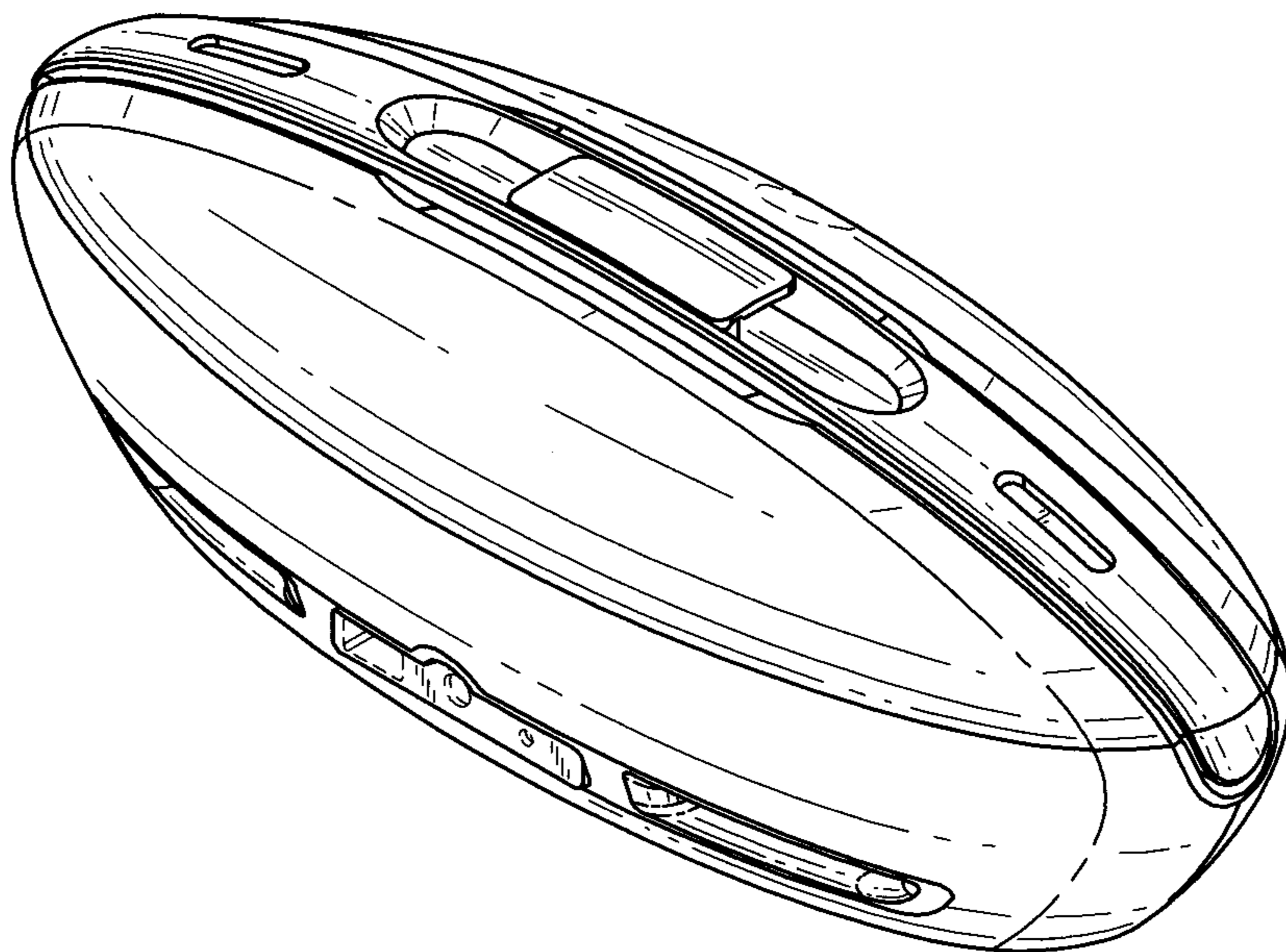


FIG. 2

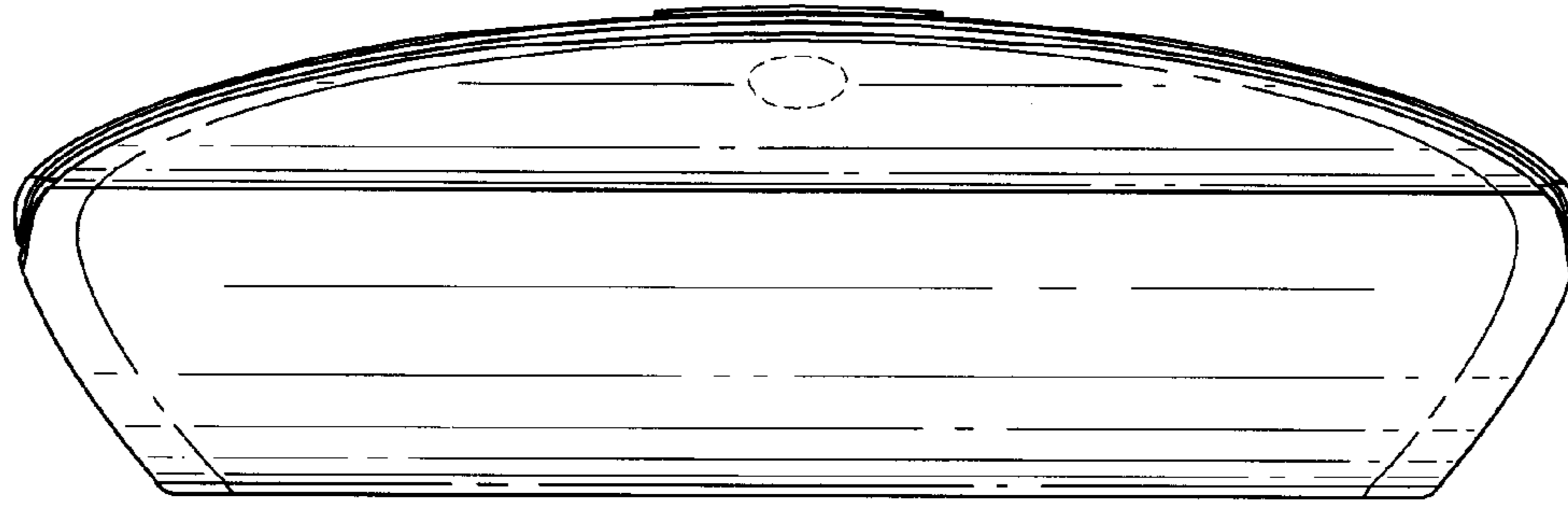


FIG. 3

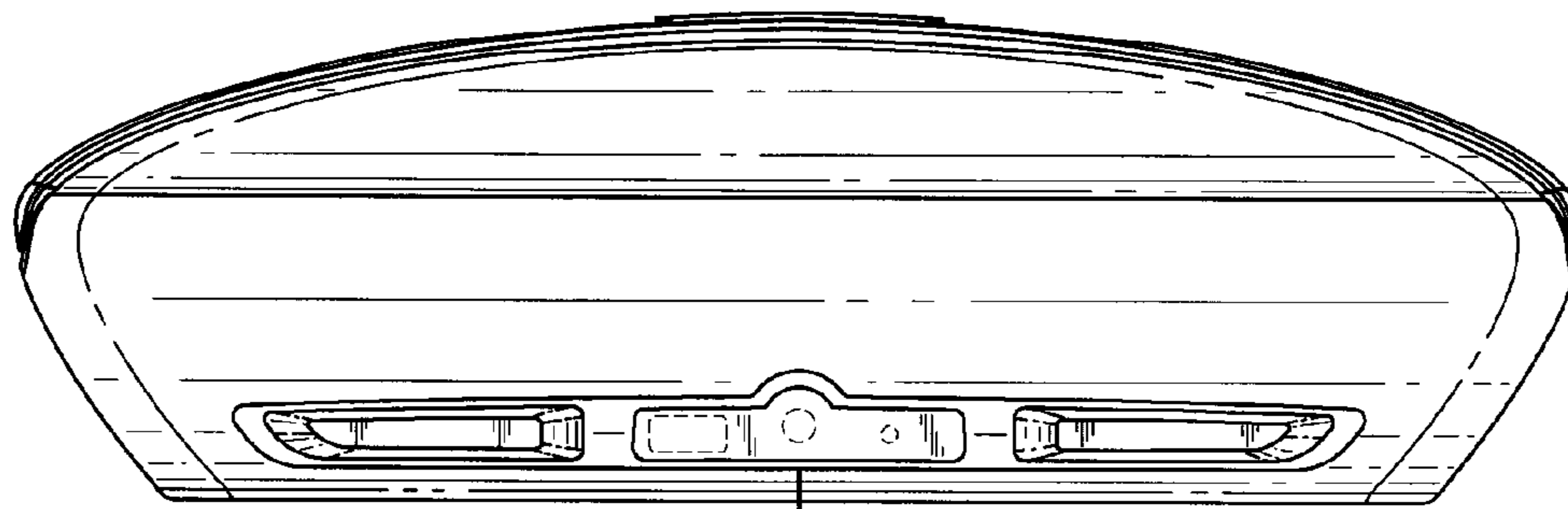


FIG. 4

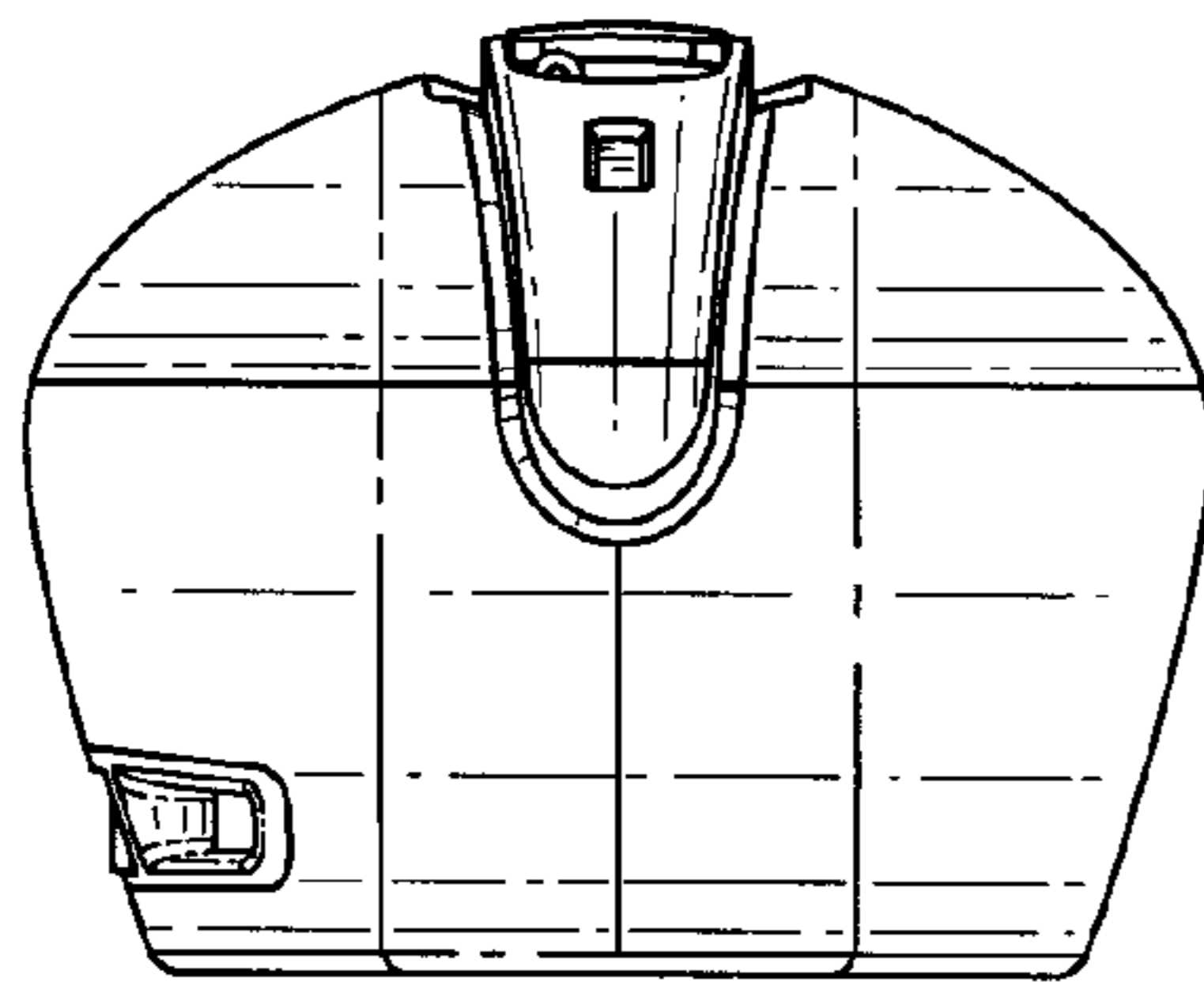


FIG. 5

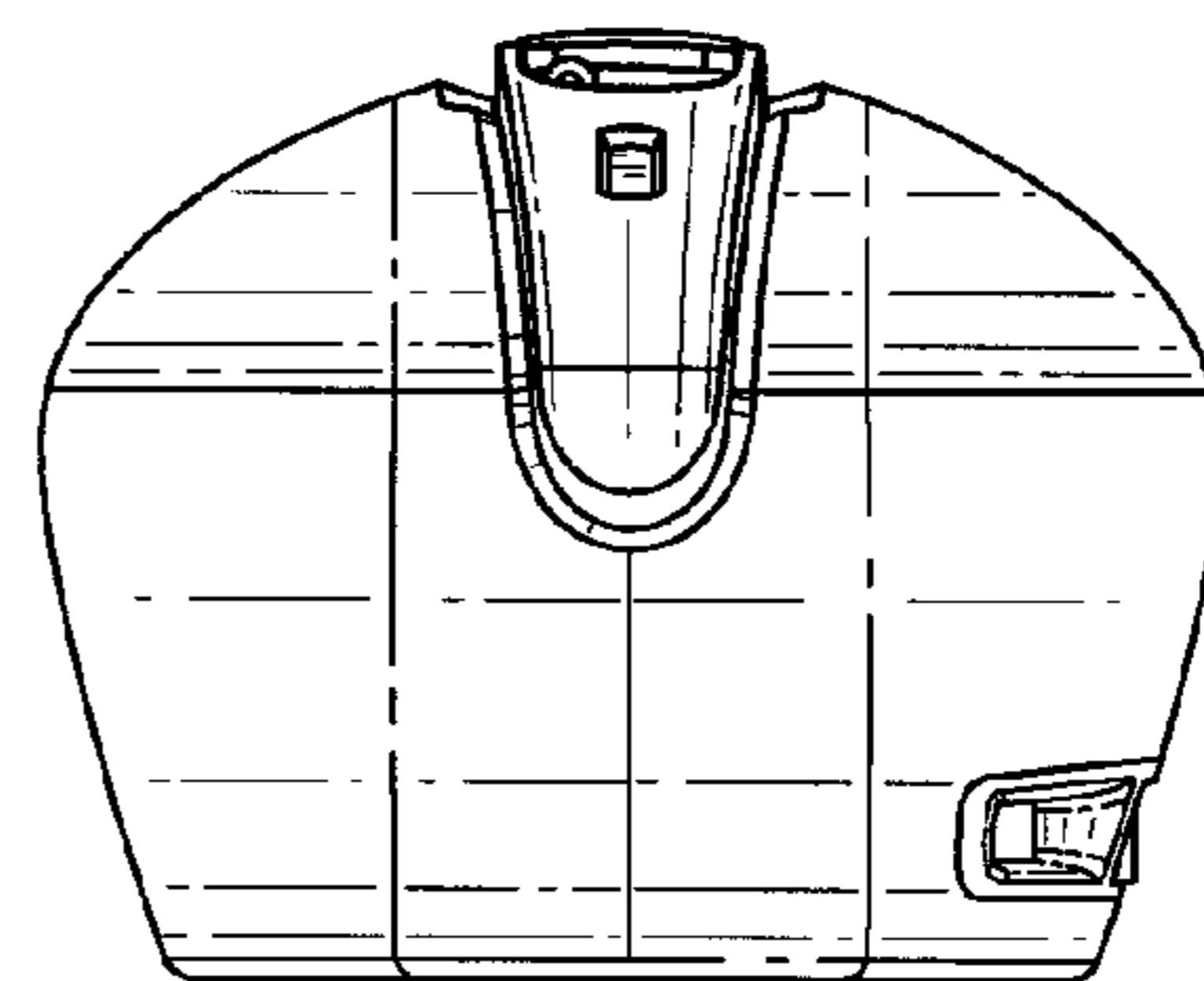


FIG. 6



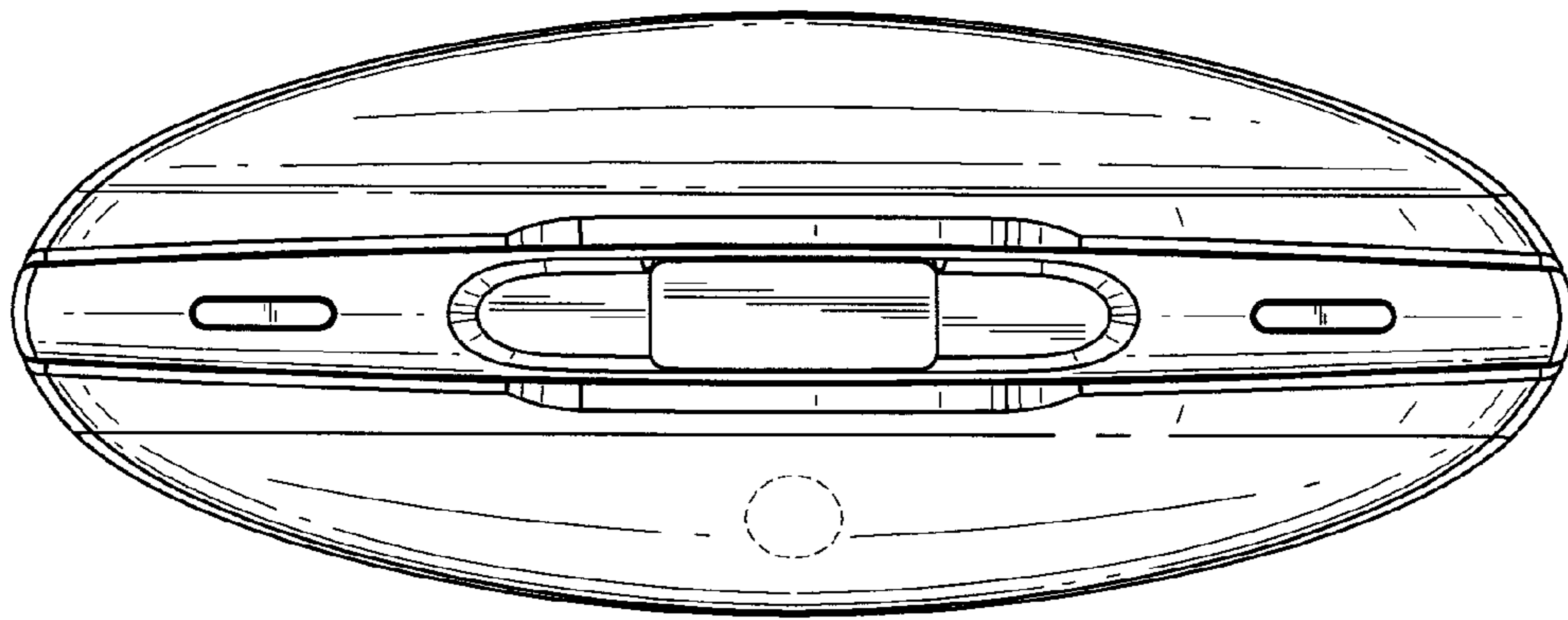


FIG. 7

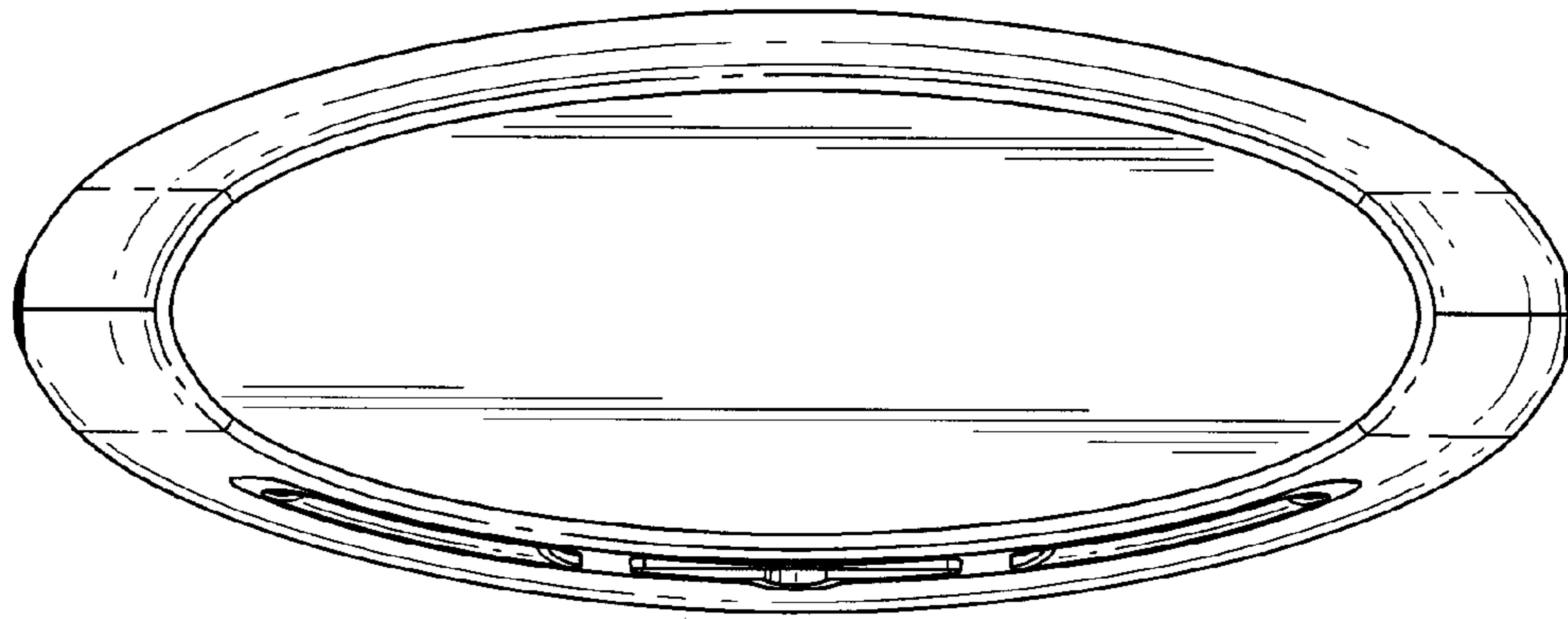
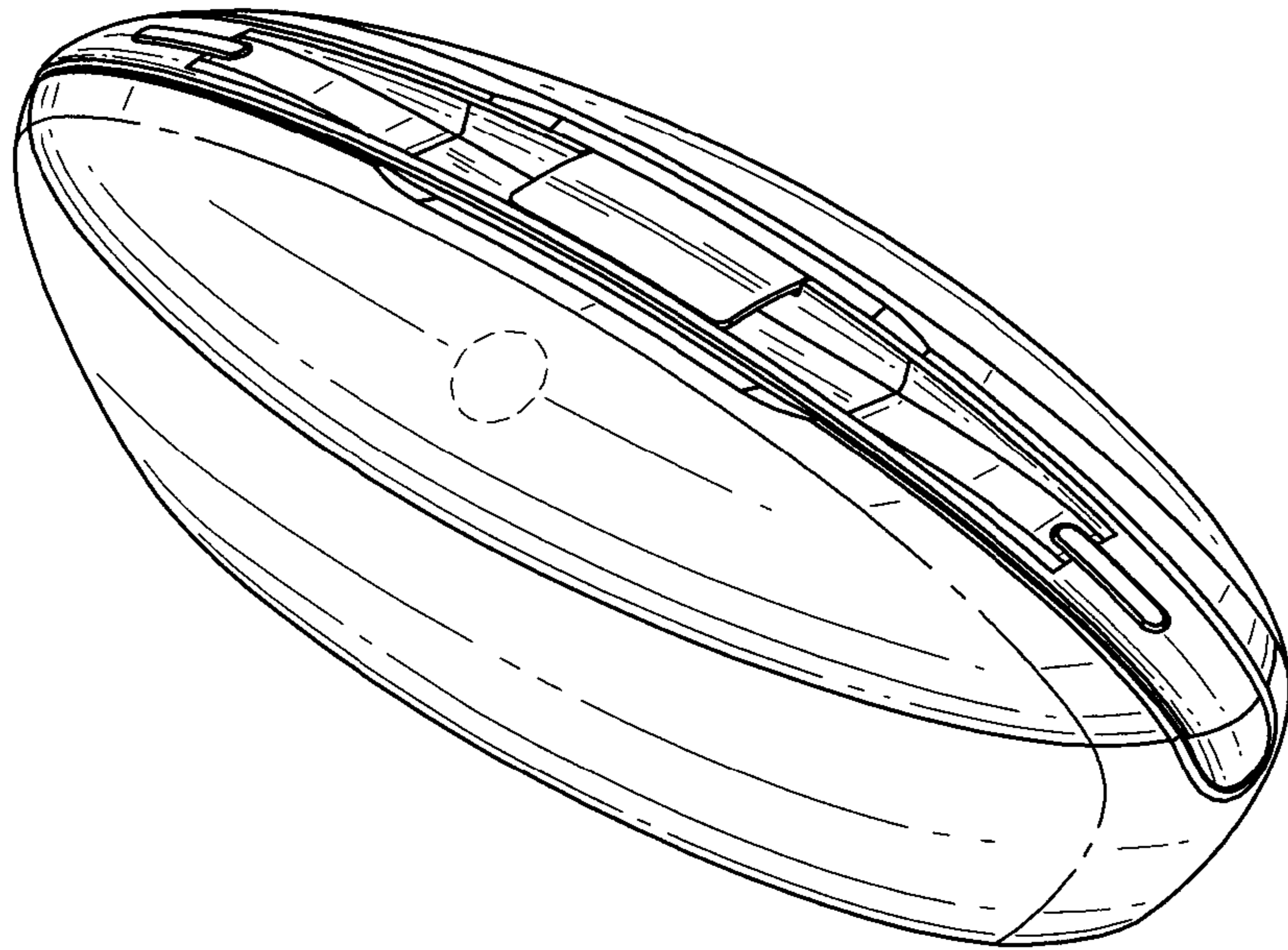
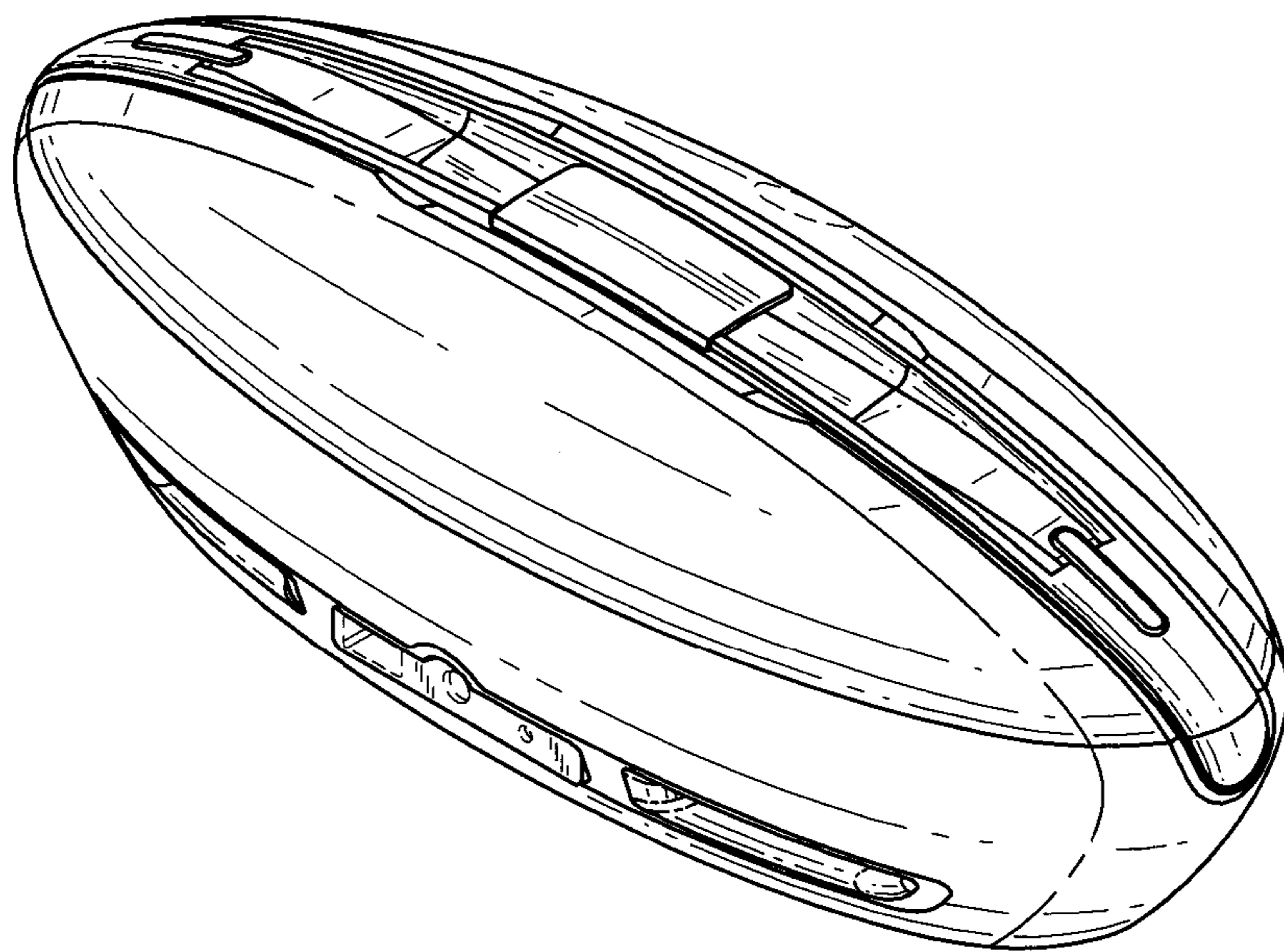


FIG. 8



*FIG. 9*



*FIG. 10*

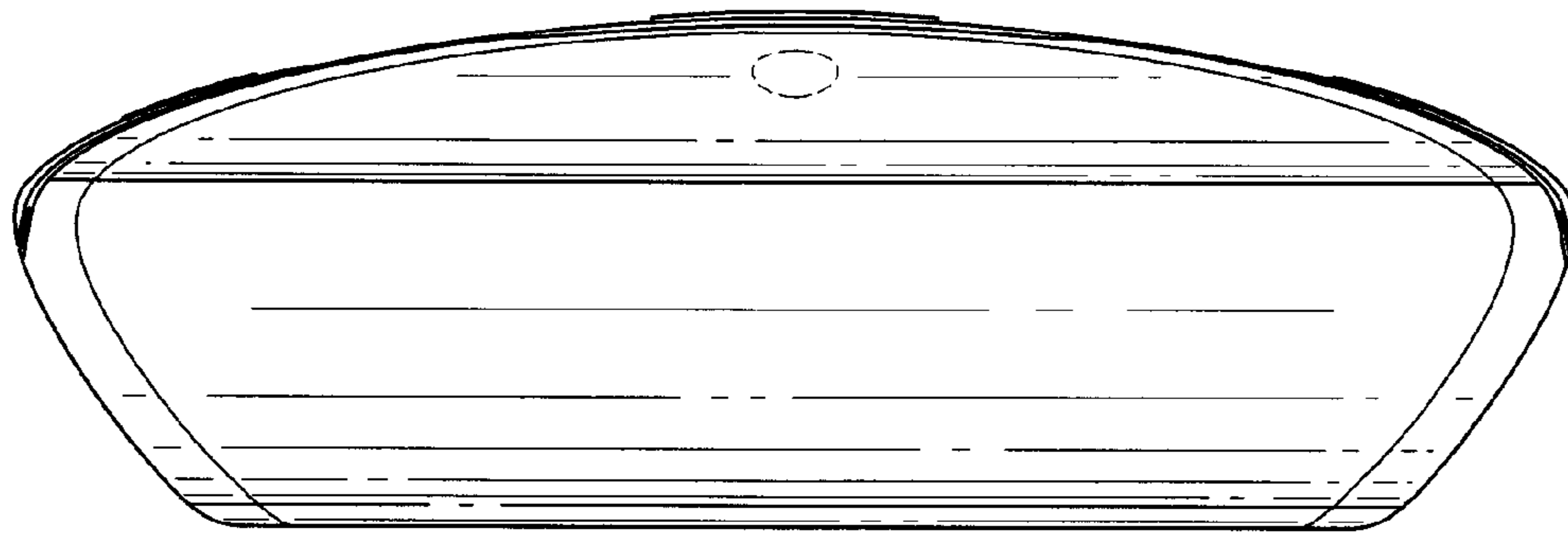


FIG. 11

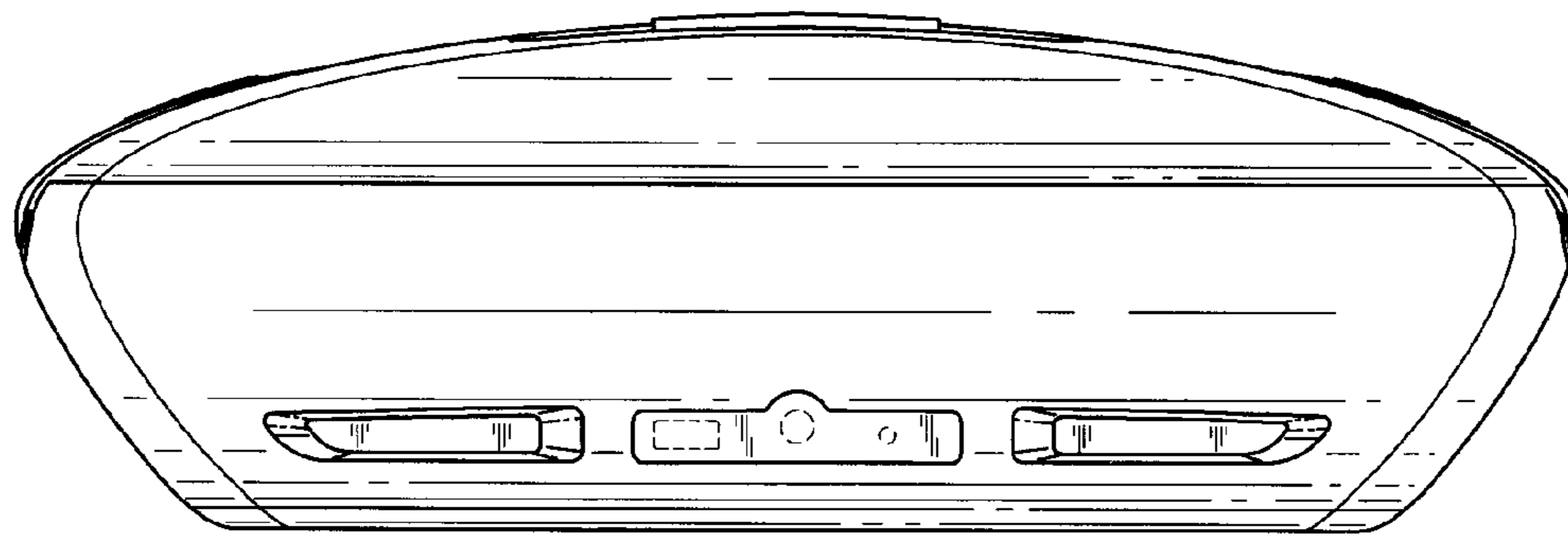


FIG. 12

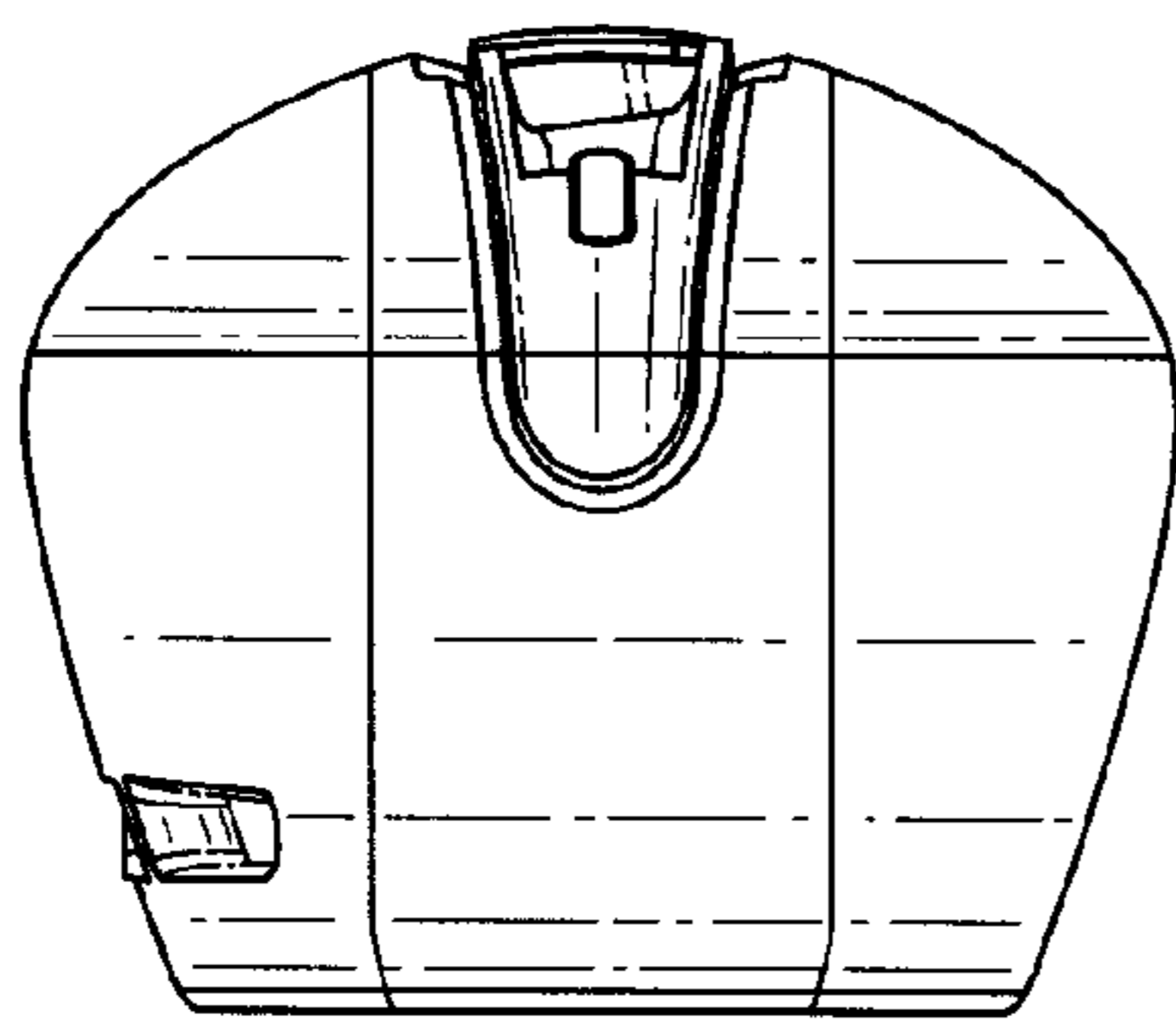


FIG. 13

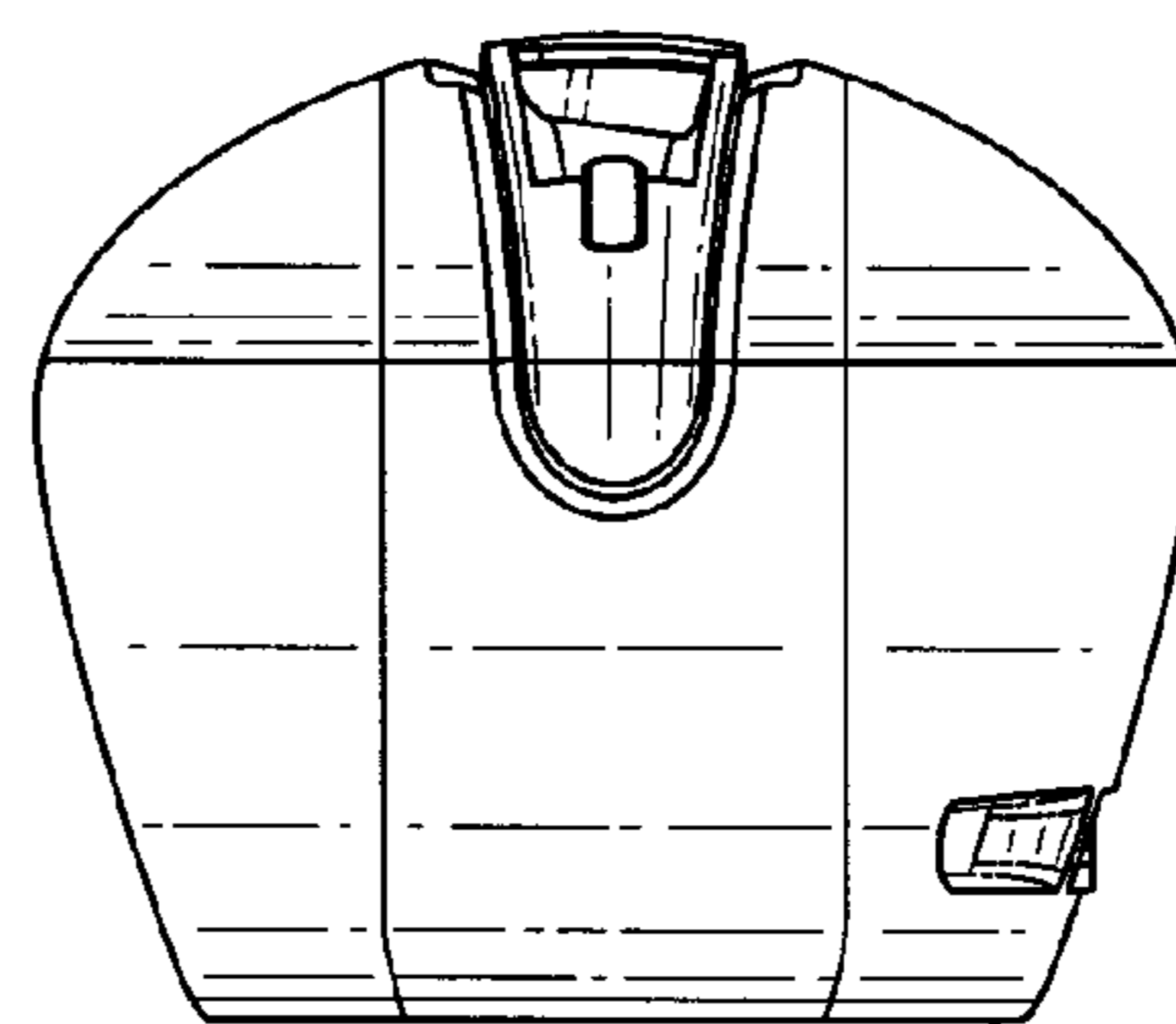


FIG. 14

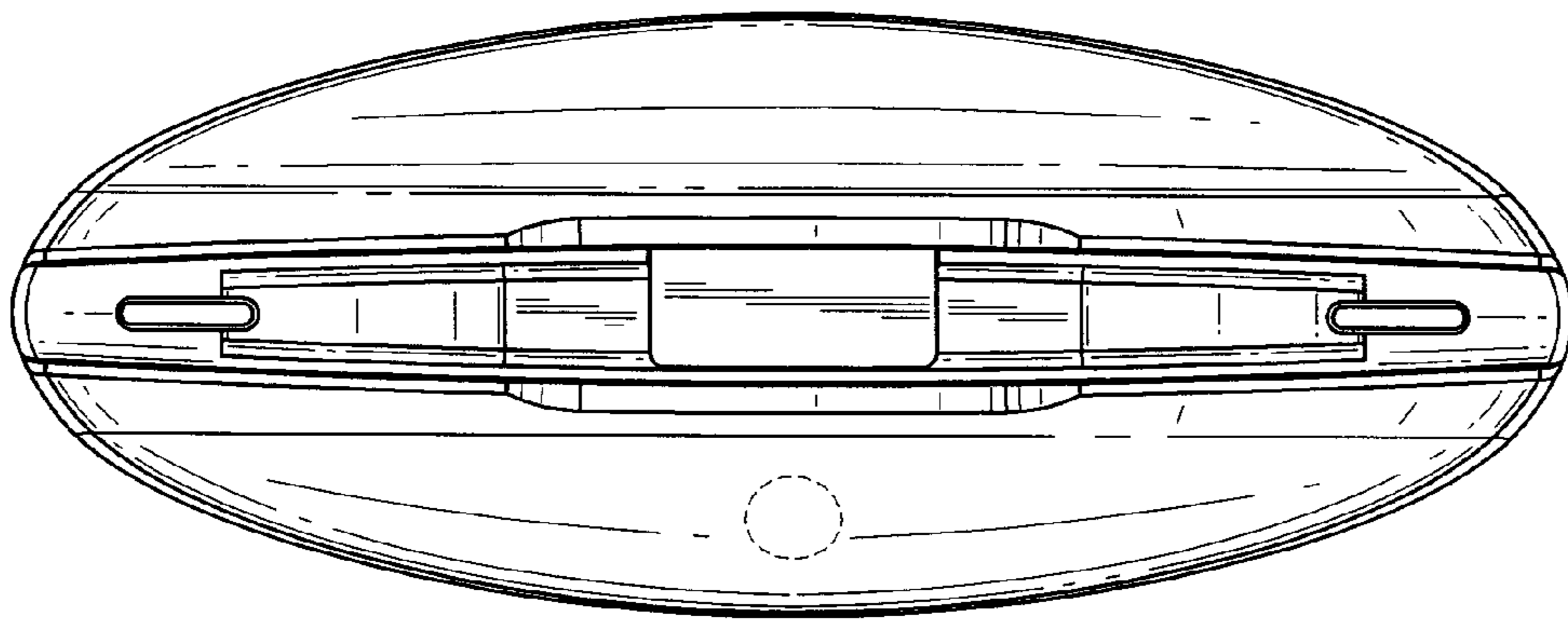


FIG. 15

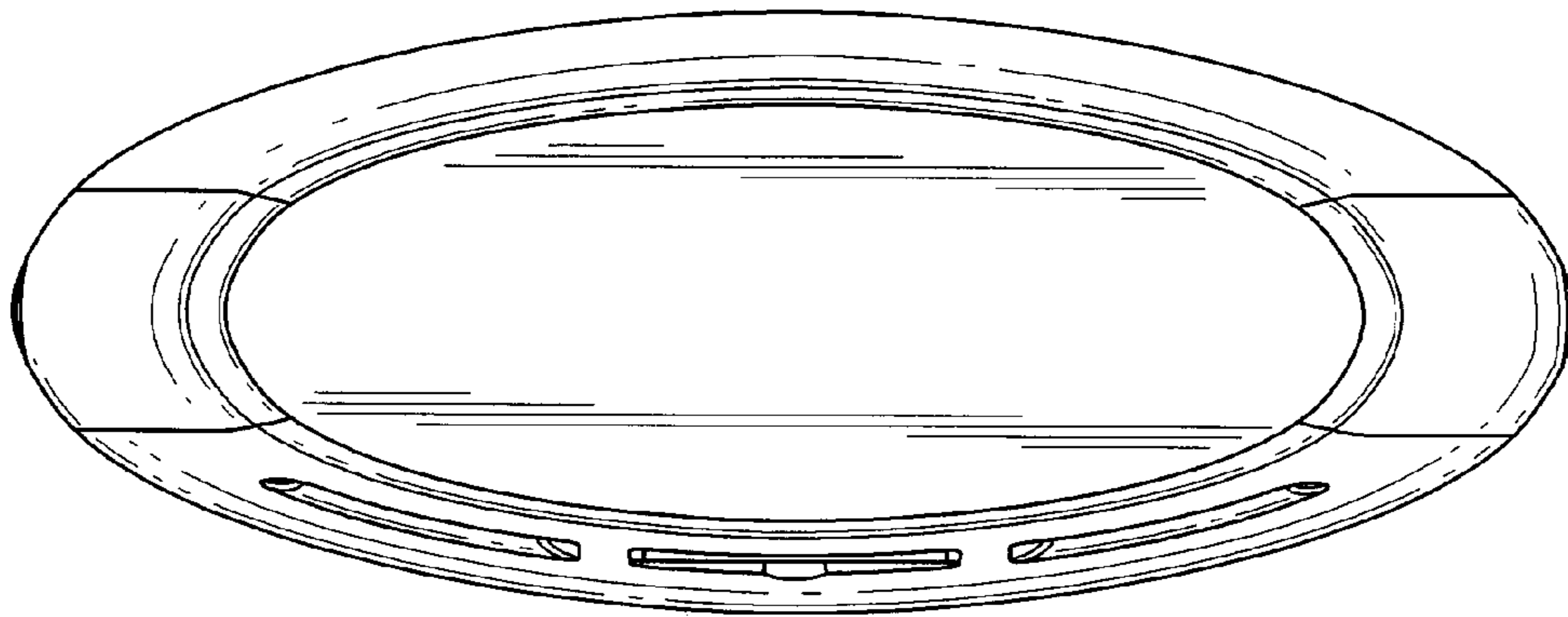


FIG. 16