



US00D702686S

(12) **United States Design Patent**  
**Gerber et al.**

(10) **Patent No.:** **US D702,686 S**  
(45) **Date of Patent:** **\*\* Apr. 15, 2014**

(54) **TRI-CONNECTOR ATTACHMENT FOR ELECTRONIC DEVICES**

(71) Applicants: **Brad Gerber**, Hermosa Beach, CA (US); **Adrian Miranda**, Bellflower, CA (US)

(72) Inventors: **Brad Gerber**, Hermosa Beach, CA (US); **Adrian Miranda**, Bellflower, CA (US)

(73) Assignee: **Poldera LLC**, Hermosa Beach, CA (US)

(\*\*) Term: **14 Years**

(21) Appl. No.: **29/453,976**

(22) Filed: **May 3, 2013**

(51) **LOC (10) Cl.** ..... **14-02**

(52) **U.S. Cl.**  
USPC ..... **D14/433**

(58) **Field of Classification Search**  
USPC ..... D14/356, 432-434, 453, 454, 511, D14/203.8, 209.1, 238.1, 240, 125; 439/638, 928, 105, 502; 710/303, 304; 361/679.41, 679.55, 679.56; D13/110, D13/133, 146

See application file for complete search history.

(56) **References Cited**

U.S. PATENT DOCUMENTS

D376,581 S *	12/1996	Suzuki	.....	D13/147
D444,128 S *	6/2001	Tan et al.	.....	D13/147
D474,154 S *	5/2003	Lai	.....	D13/147
D478,087 S *	8/2003	Aldridge	.....	D14/433
D602,439 S *	10/2009	Yu et al.	.....	D13/147
D604,302 S *	11/2009	Staal	.....	D14/435
D604,725 S *	11/2009	Chen	.....	D14/240
D626,077 S *	10/2010	Huang	.....	D13/147
D670,290 S *	11/2012	Dalton	.....	D14/433

\* cited by examiner

*Primary Examiner* — Austin Murphy

(74) *Attorney, Agent, or Firm* — Law Office of David Hong

(57) **CLAIM**

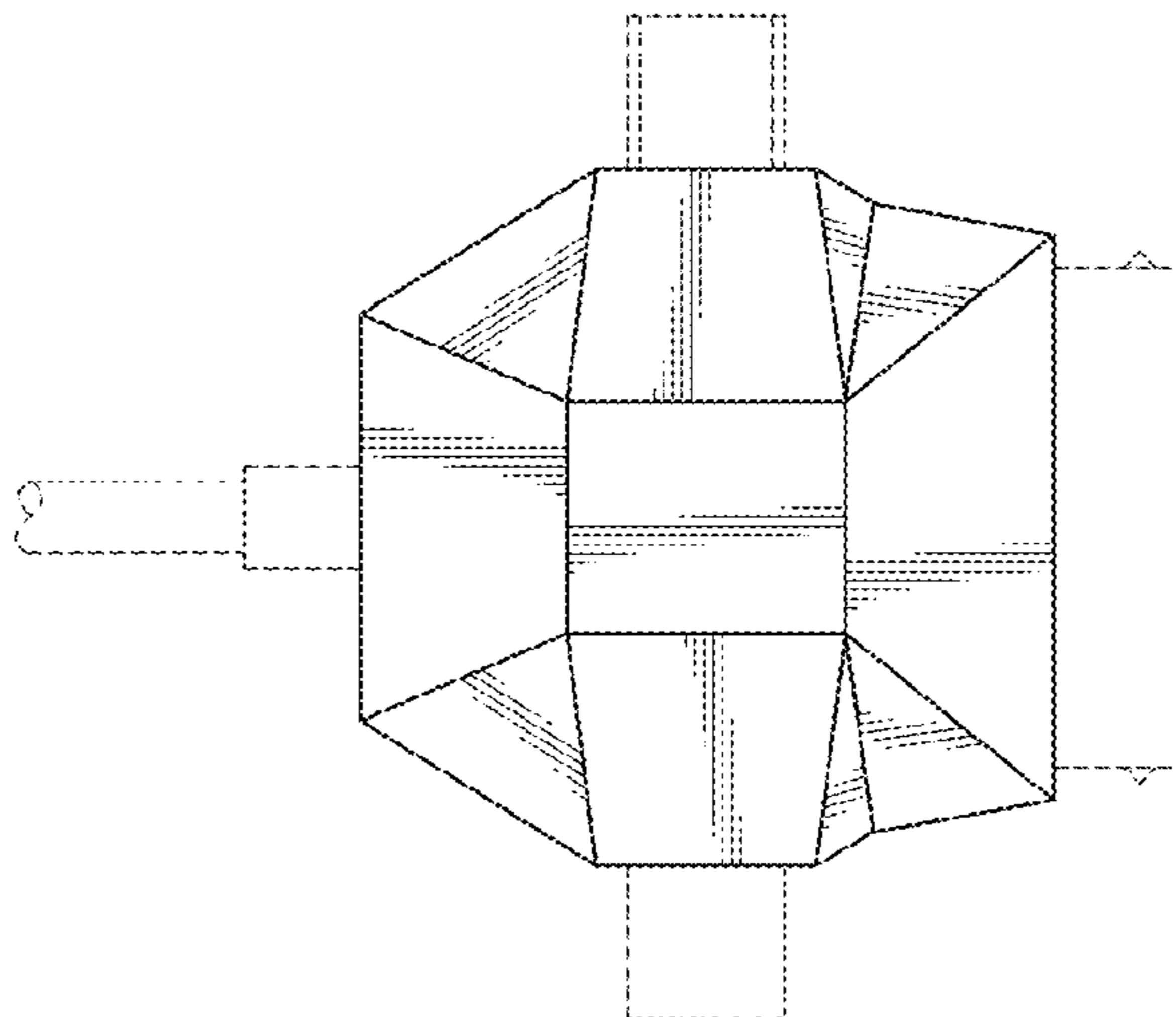
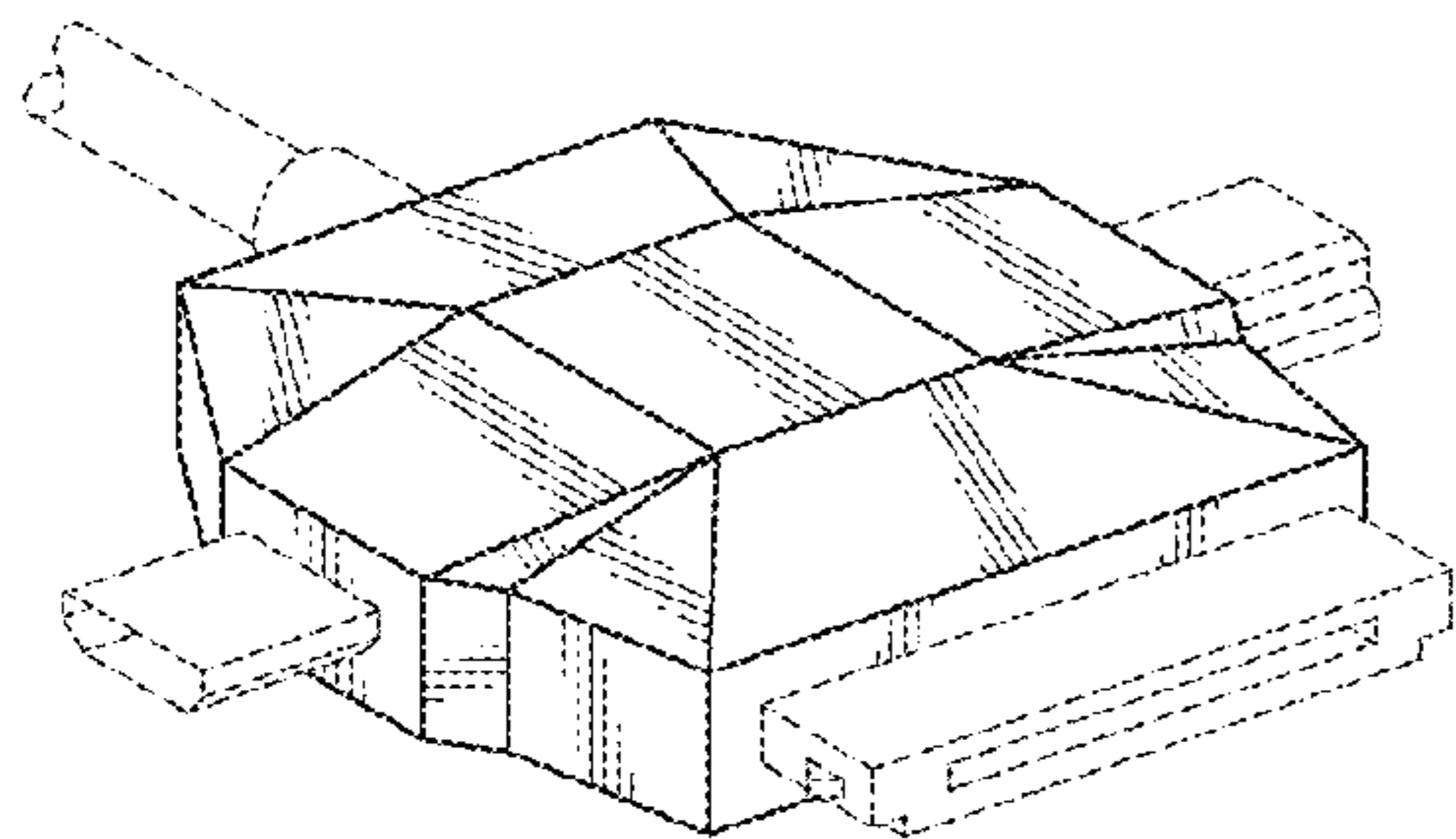
The ornamental design for a tri-connector attachment for electronic devices, as shown and described.

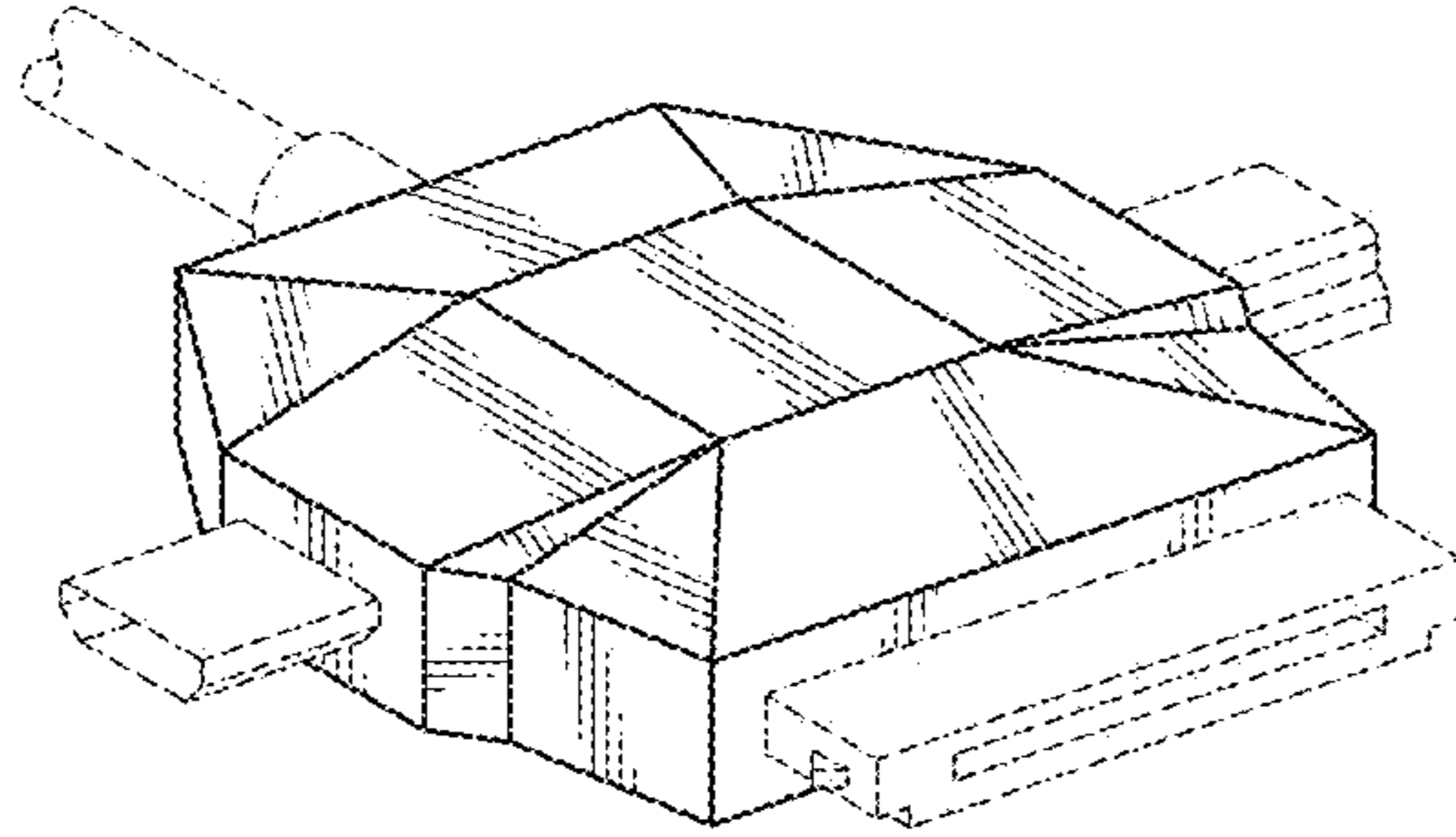
**DESCRIPTION**

FIG. 1 is a perspective view of our new design; FIG. 2 is a top view thereof; FIG. 3 is a first side elevational view thereof; FIG. 4 is a second side elevational view thereof; FIG. 5 is a third side elevational view thereof; FIG. 6 is a fourth side elevational view thereof; and, FIG. 7 is a bottom view thereof.

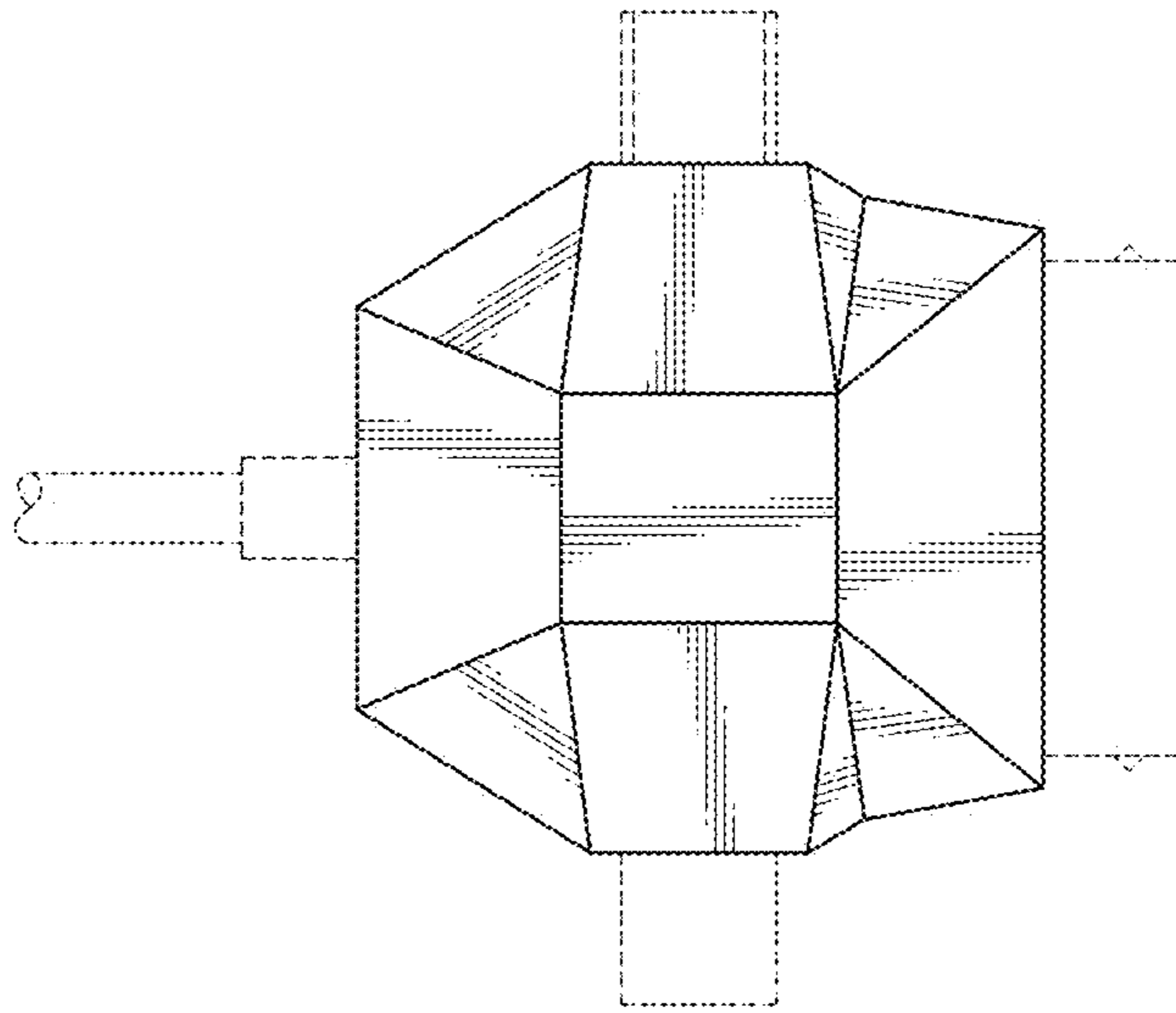
The broken lines shown in the drawing views are included for the purpose of showing environmental structure that forms no part of the claimed design.

**1 Claim, 2 Drawing Sheets**

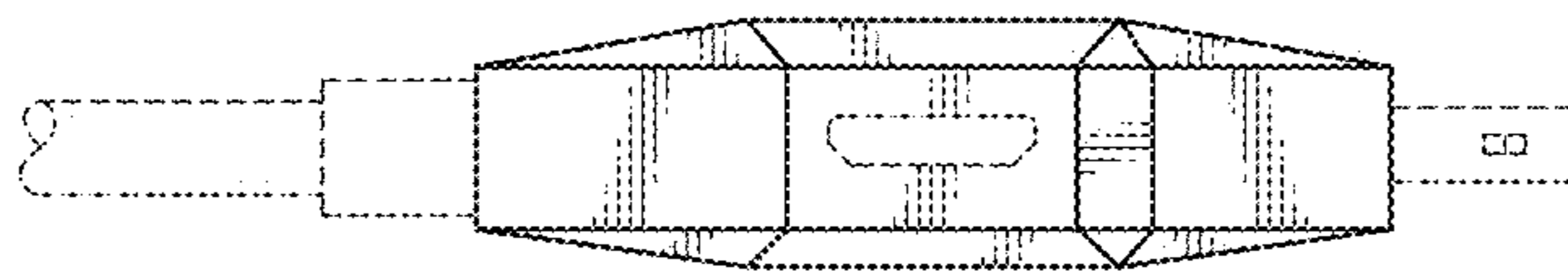




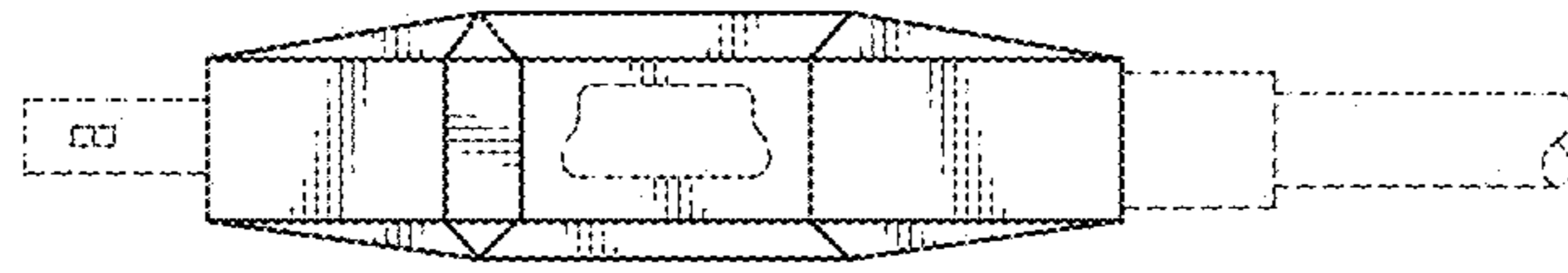
*FIG. 1*



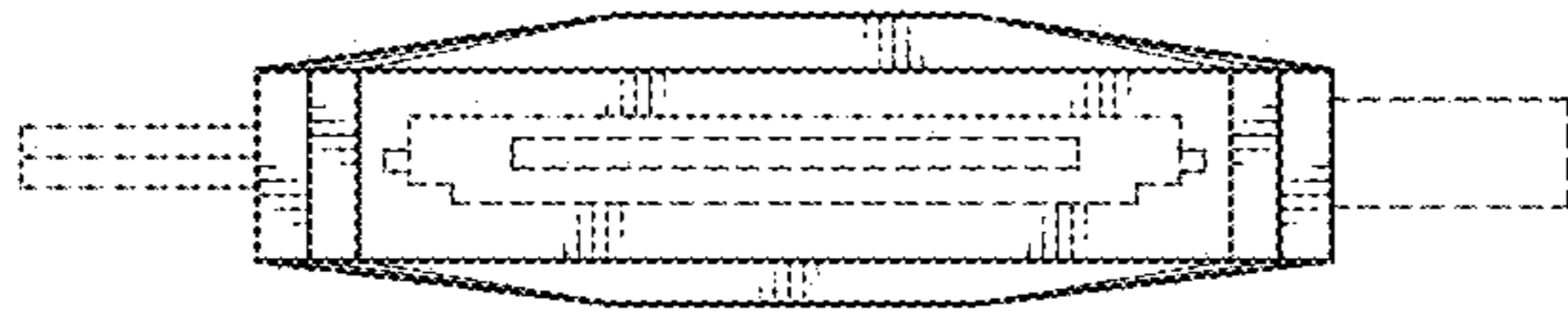
*FIG. 2*



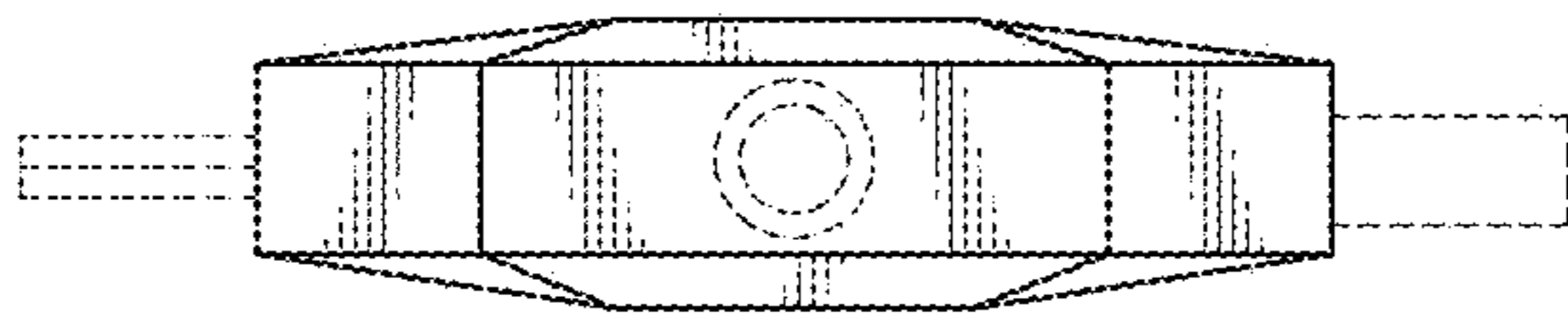
*FIG. 3*



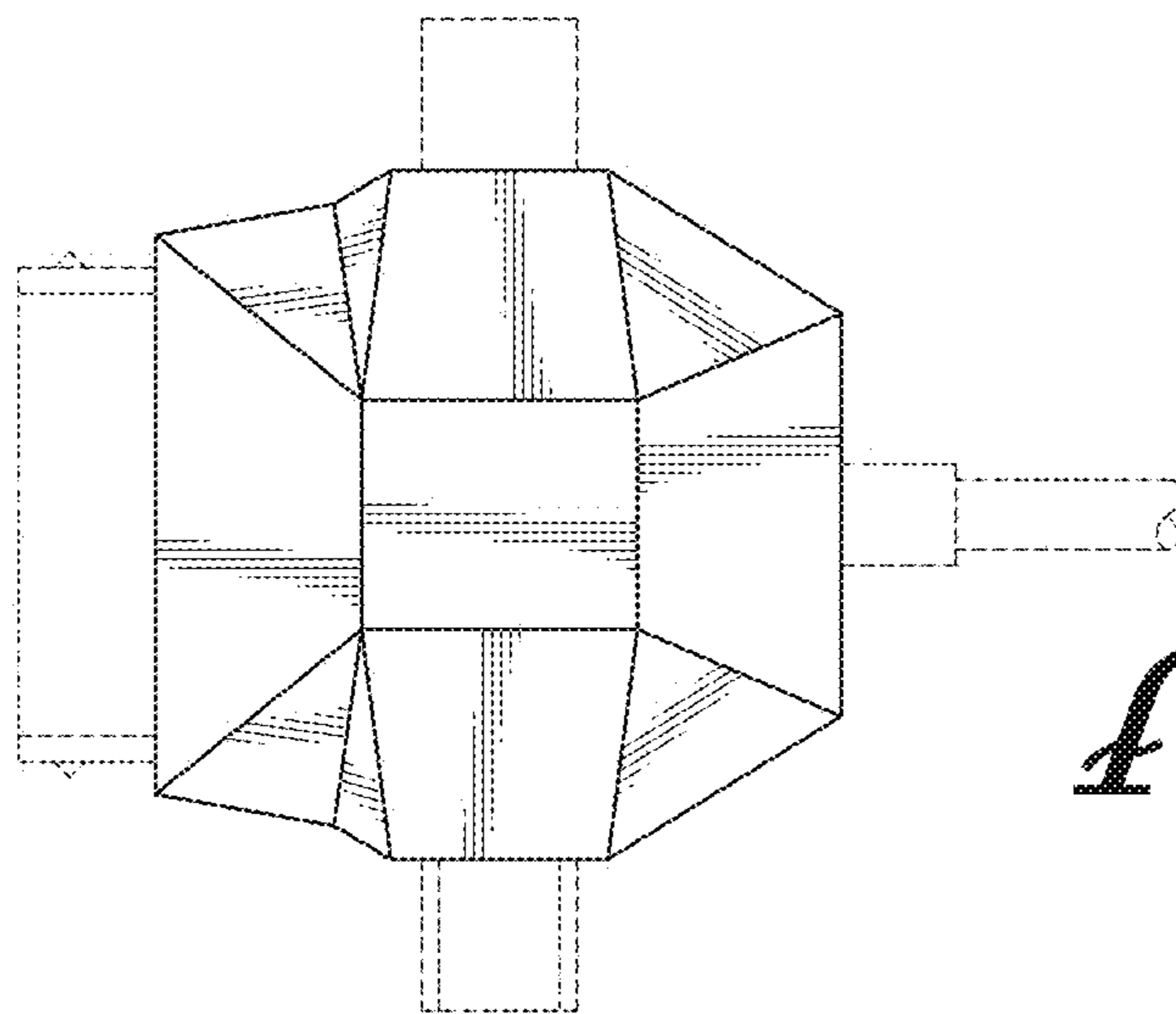
*FIG. 4*



*FIG. 5*



*FIG. 6*



*FIG. 7*