



US00D702685S

(12) **United States Design Patent**
Pascucci

(10) **Patent No.:** **US D702,685 S**

(45) **Date of Patent:** **** Apr. 15, 2014**

(54) **COMPUTER INPUT DEVICE**

(71) Applicant: **Société Civile “GALILEO 2011”,**
Monaco (MC)

(72) Inventor: **Antonio Pascucci, Seefeld (DE)**

(73) Assignee: **Société Civile “GALILEO 2011”,**
Monaco (MC)

(**) Term: **14 Years**

(21) Appl. No.: **29/456,731**

(22) Filed: **Jun. 3, 2013**

(30) **Foreign Application Priority Data**

Dec. 4, 2012 (EM) 001353585-0001

(51) **LOC (10) Cl.** **14-02**

(52) **U.S. Cl.**
USPC **D14/408**

(58) **Field of Classification Search**
USPC D14/402–411, 356, 388, 389, 383–385,
D14/417, 426; 345/156–167; 463/36–38;
358/471, 473; 273/148 B
See application file for complete search history.

(56) **References Cited**

U.S. PATENT DOCUMENTS

D350,344 S *	9/1994	Nakada	D14/417
D377,485 S *	1/1997	Kaneko et al.	D14/417
D391,944 S *	3/1998	Han	D14/356
D399,499 S *	10/1998	Kaneko et al.	D14/417
6,359,611 B2 *	3/2002	Chan	345/156
D492,311 S *	6/2004	Suzuki	D14/402

6,828,958 B2 *	12/2004	Davenport	345/163
D521,512 S *	5/2006	Kunzi et al.	D14/388
D534,536 S *	1/2007	Matsuoka	D14/408
D555,605 S *	11/2007	Parnell	D13/171
D555,651 S *	11/2007	Pascucci	D14/408
7,436,398 B2 *	10/2008	Yuasa et al.	345/184
D579,937 S *	11/2008	Cohen	D14/408
D583,817 S *	12/2008	Satou et al.	D14/383
D605,197 S *	12/2009	Pascucci	D14/408

* cited by examiner

Primary Examiner — Austin Murphy

(74) *Attorney, Agent, or Firm* — Christensen O'Connor Johnson Kindness PLLC

(57) **CLAIM**

The ornamental design for a computer input device, as shown and described.

DESCRIPTION

FIG. 1. A perspective front view of the computer input device with two of the three input buttons.

FIG. 2. A further perspective front view of the computer input device with two of the three input buttons.

FIG. 3. A perspective bottom view of the computer input device with socket and all three input buttons.

FIG. 4. Front view of the computer input device with two of the three input buttons.

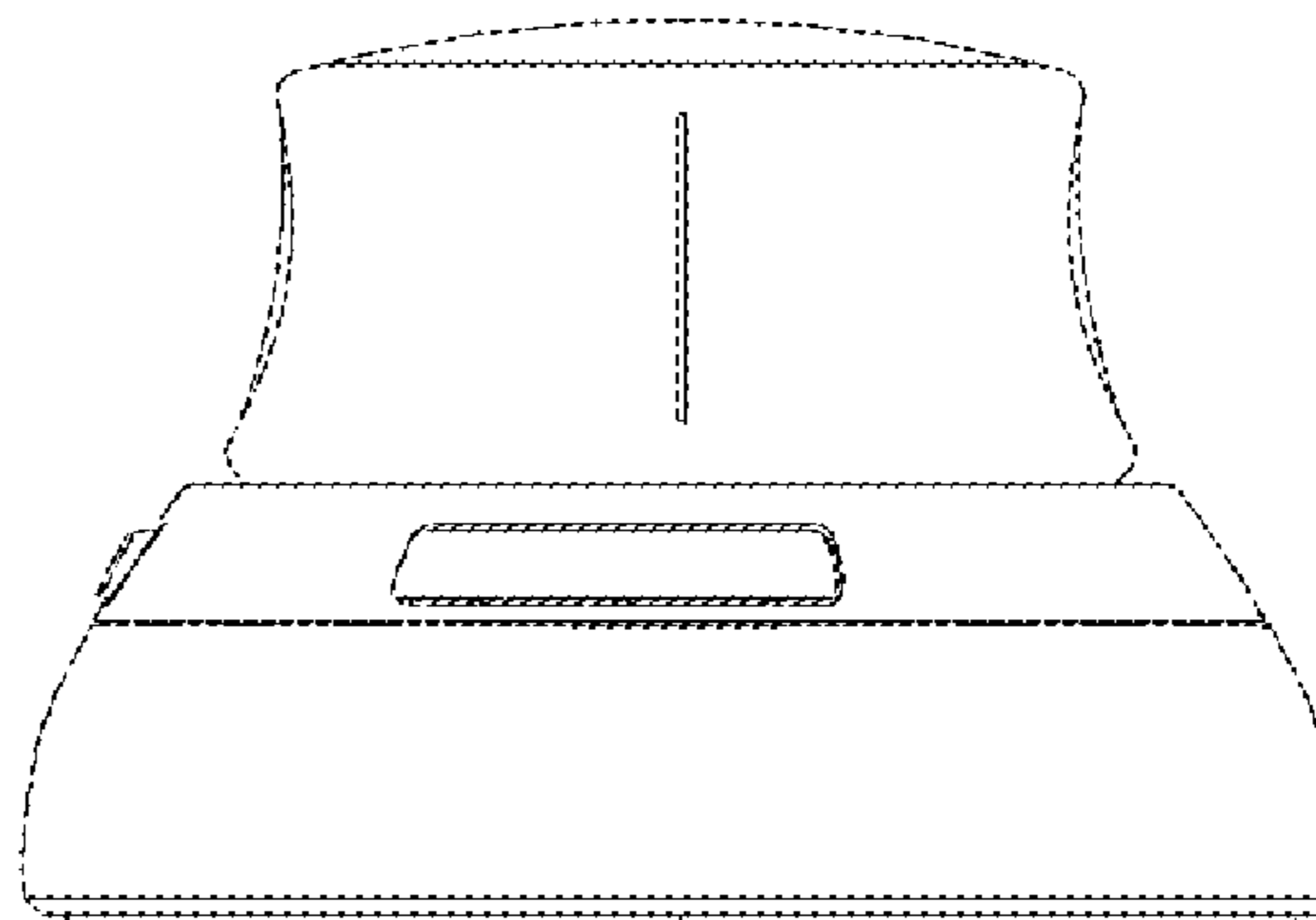
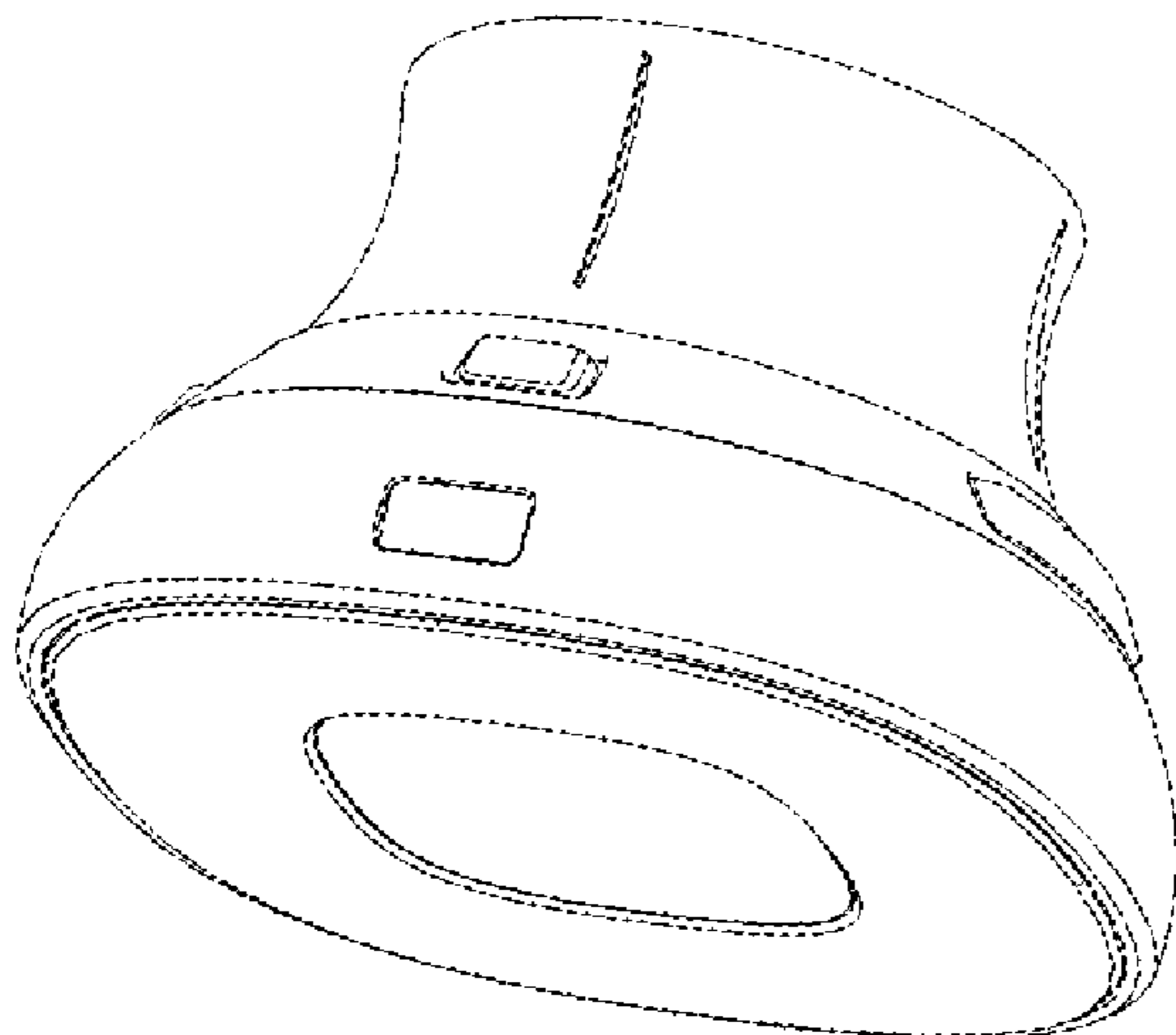
FIG. 5. Further front view of the computer input device with two of the three input buttons.

FIG. 6. Bottom view of the computer input device; and,

FIG. 7. Top view of the computer input device with socket and all three input buttons.

The broken line square in FIG. 3 represents an opening to receive an electrical connector and forms no part of the claimed design.

1 Claim, 1 Drawing Sheet



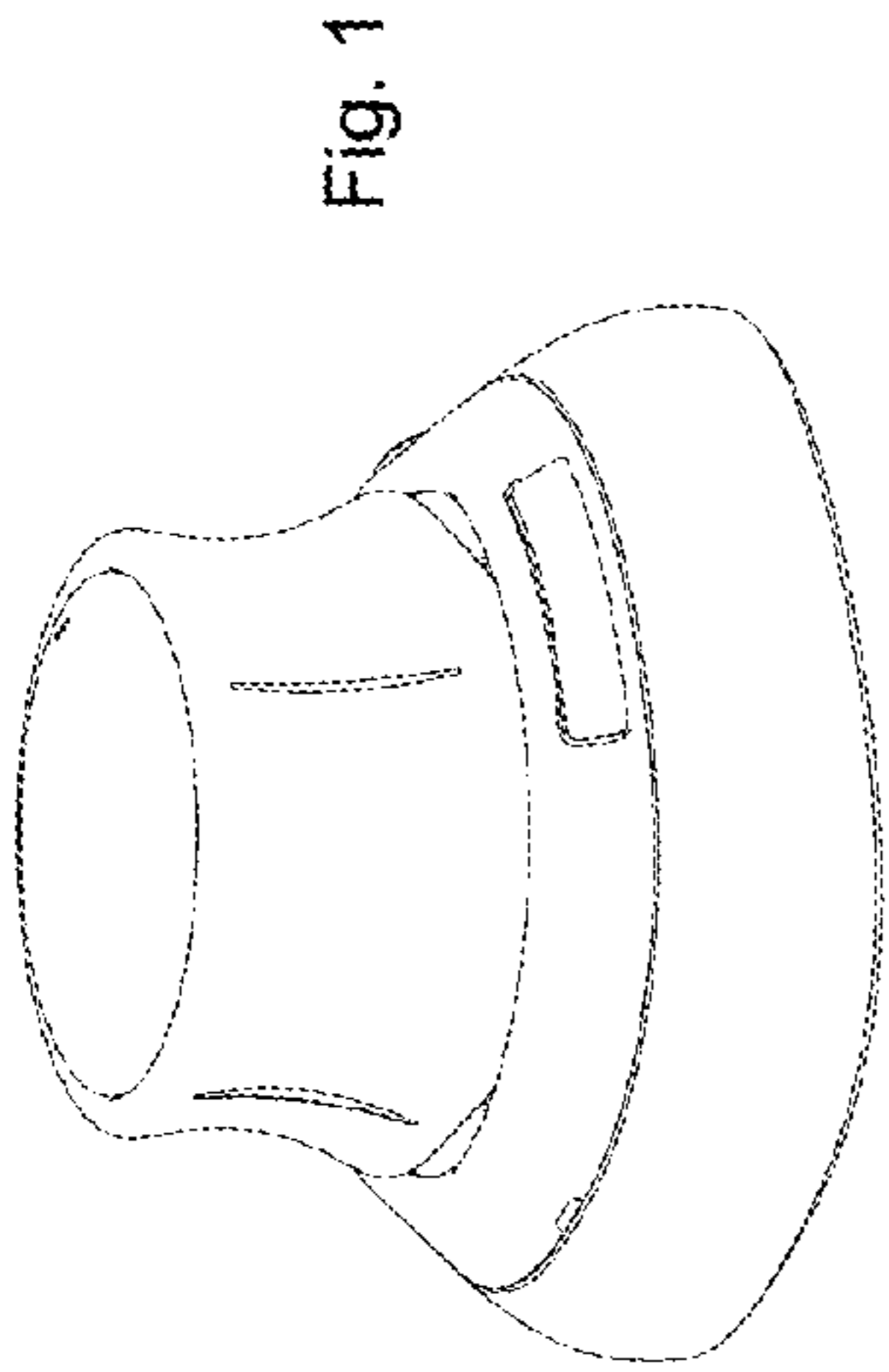


Fig. 1

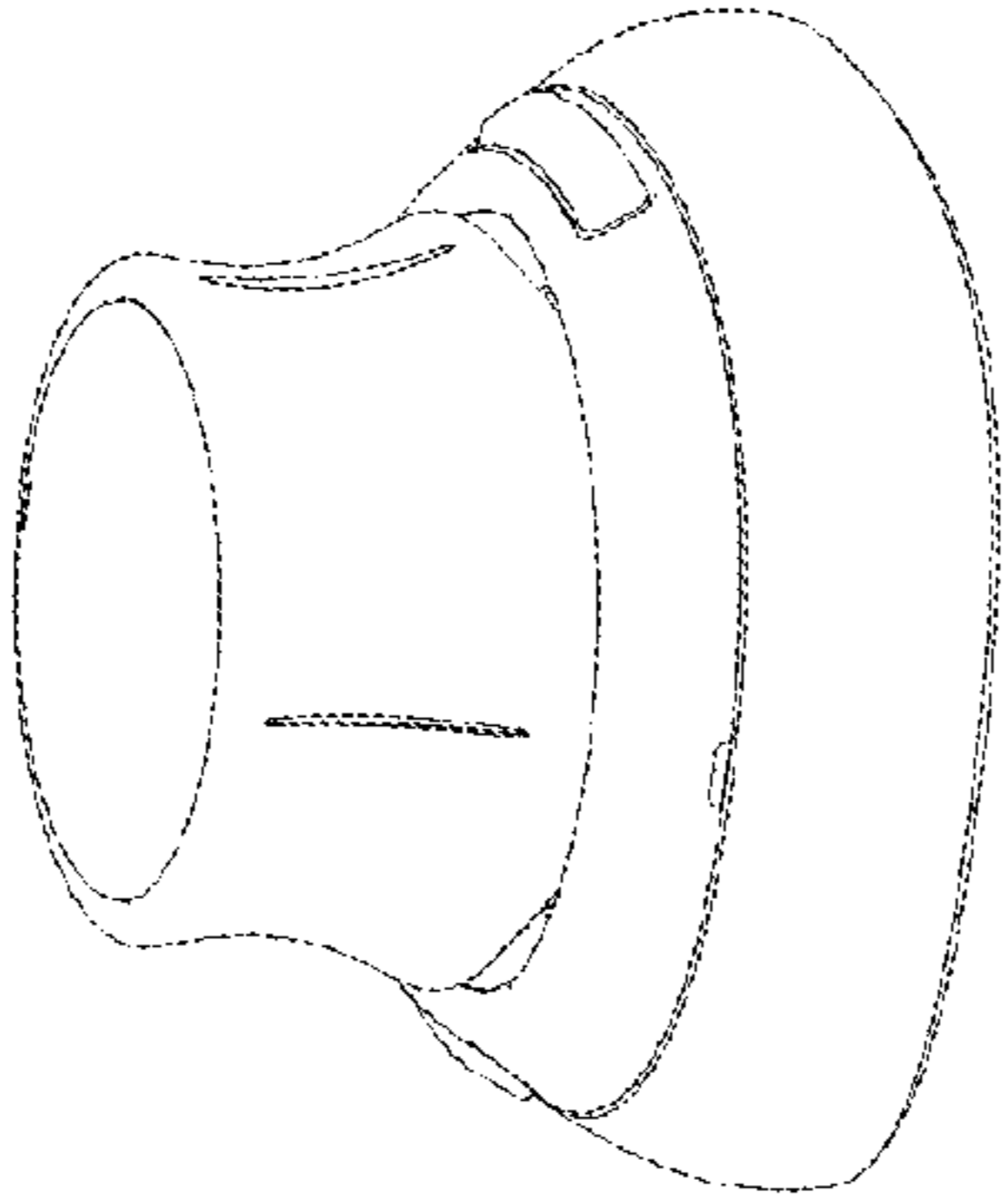


Fig. 2

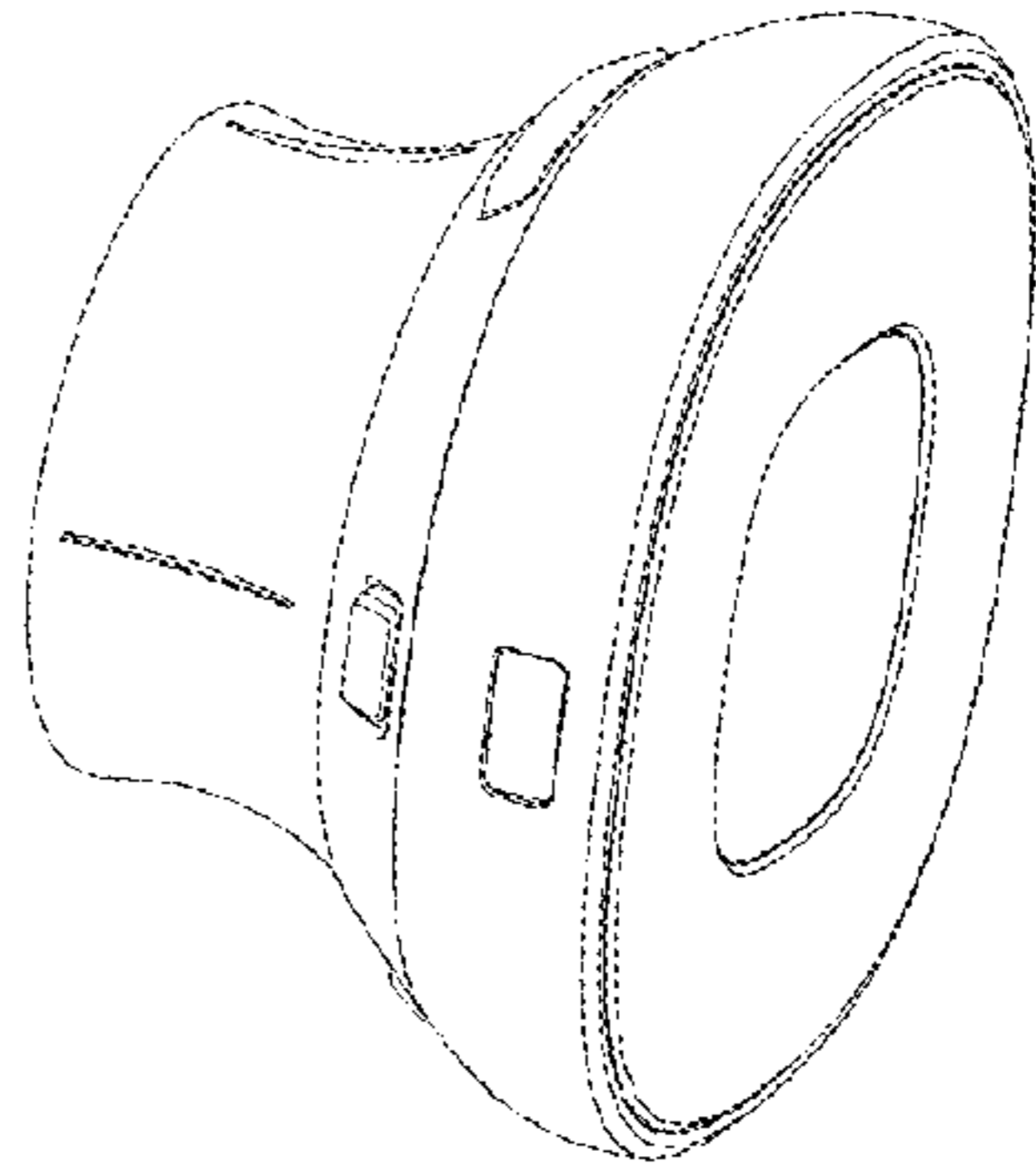


Fig. 3

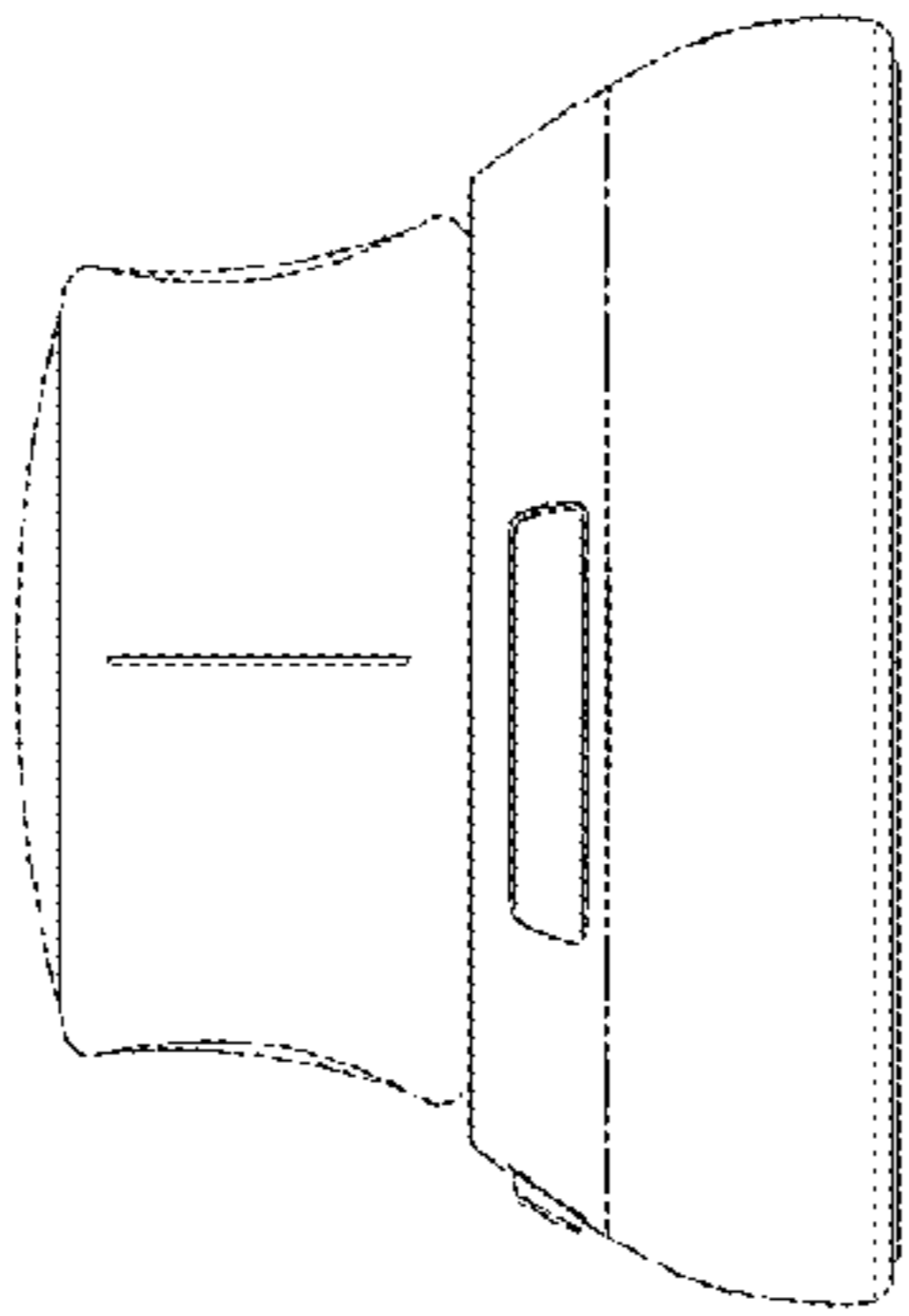


Fig. 5

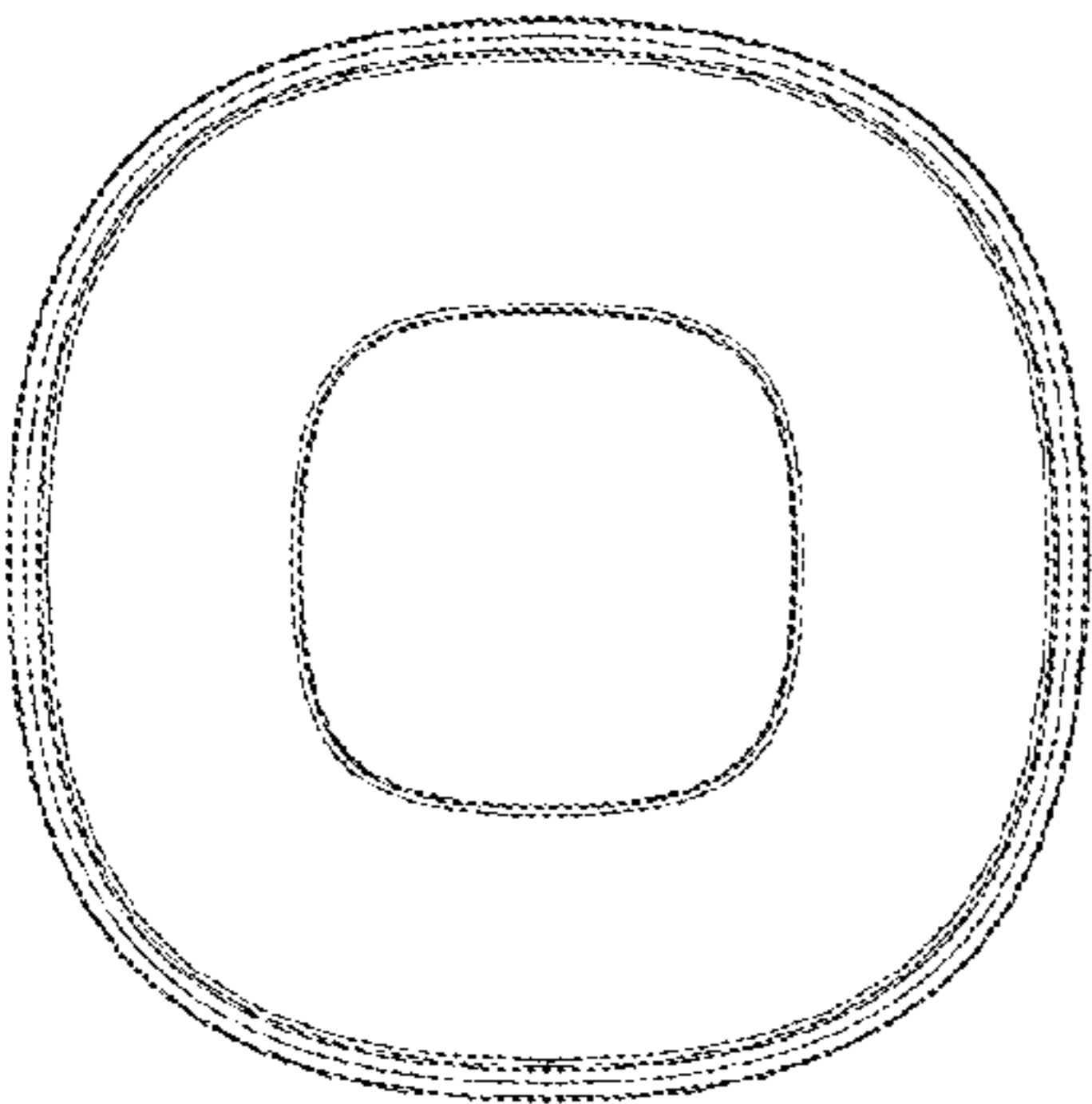


Fig. 6

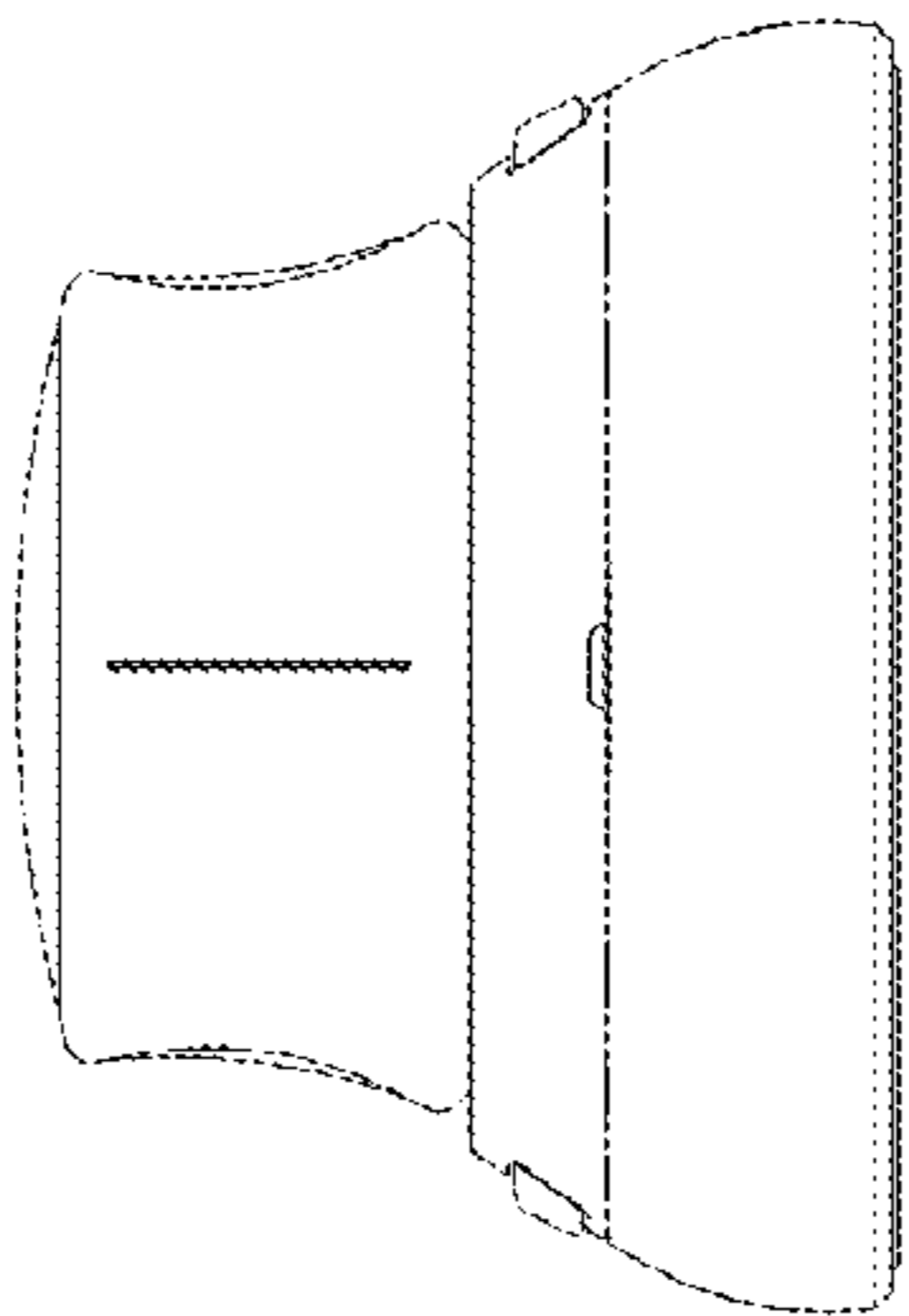


Fig. 4

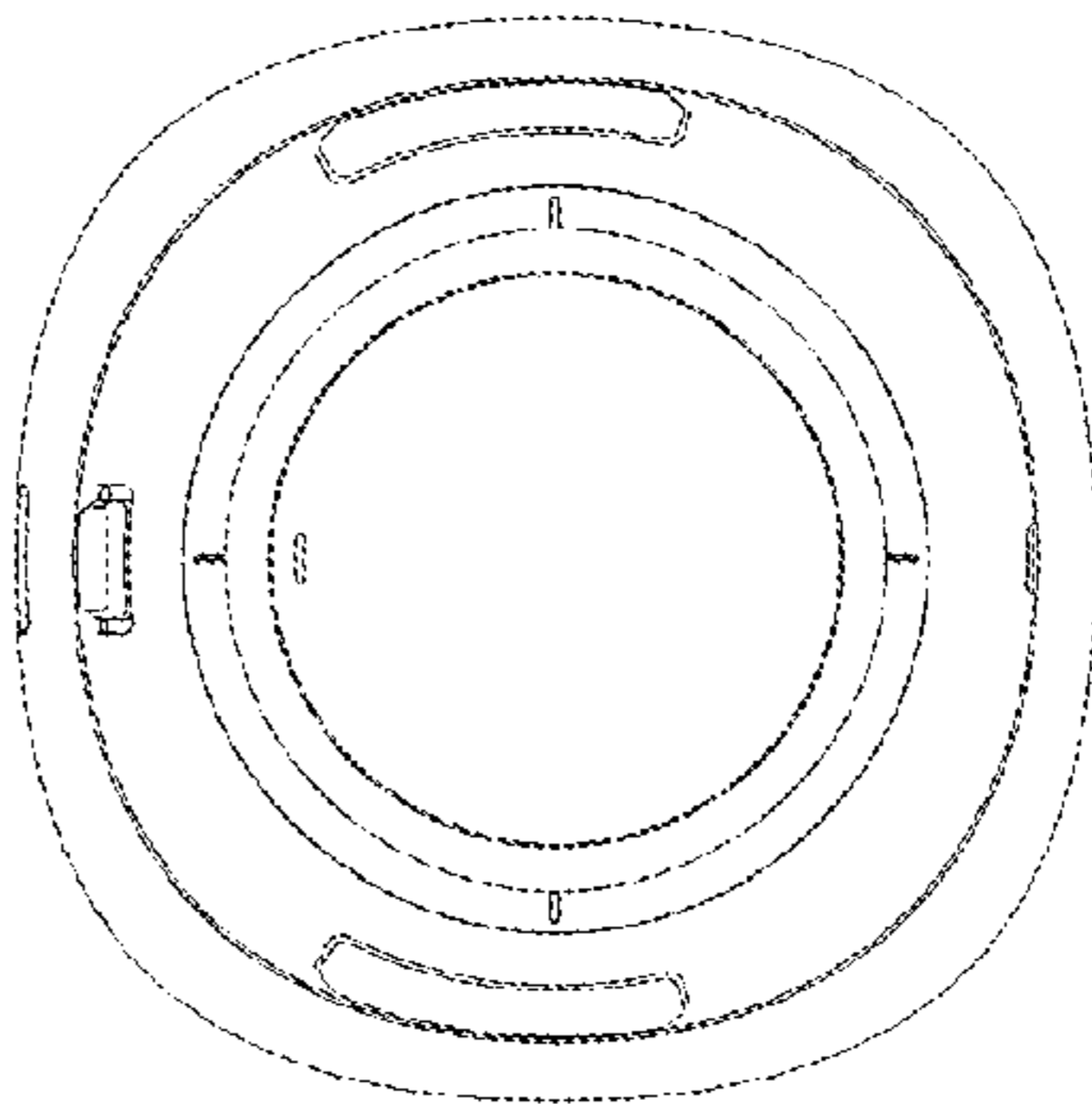


Fig. 7