



US00D702684S

(12) **United States Design Patent**
Huang et al.

(10) **Patent No.:** **US D702,684 S**
(45) **Date of Patent:** **** Apr. 15, 2014**

(54) **PORTABLE GAME DEVICE**

D402,708 S 12/1998 Tai

(Continued)

(71) Applicant: **NVIDIA Corporation**, Santa Clara, CA (US)

Primary Examiner — Prabhakar Deshmukh

(72) Inventors: **Jen-Hsun Huang**, Los Altos, CA (US); **Glenn Wernig**, San Jose, CA (US); **Jason Su**, San Jose, CA (US); **Darren Burckhard**, San Jose, CA (US); **David Collins**, San Francisco, CA (US); **James Lee**, Sunnyvale, CA (US); **Siarhei Murauyou**, Sunnyvale, CA (US); **Don Miller**, Manteca, CA (US); **Craig Crawford**, Beaverton, OR (US); **Andrew Bell**, San Francisco, CA (US); **Brian Loiler**, Santa Cruz, CA (US); **Joseph Walters**, Campbell, CA (US); **An Nguyen**, Milpitas, CA (US); **Trevor Boswell**, Mountain View, CA (US)

(57) **CLAIM**

We claim the ornamental design for a portable game device, as shown and described.

DESCRIPTION

(73) Assignee: **Nvidia Corporation**, Santa Clara, CA (US)

(**) Term: **14 Years**

(21) Appl. No.: **29/441,407**

(22) Filed: **Jan. 4, 2013**

(51) **LOC (10) Cl.** **21-01**

(52) **U.S. Cl.**
USPC **D14/401**; D21/333

(58) **Field of Classification Search**
USPC D14/399-401, 412-416; D21/324, 333;
273/148 B; 463/1, 29-39, 46, 47;
345/156-161, 905

See application file for complete search history.

(56) **References Cited**

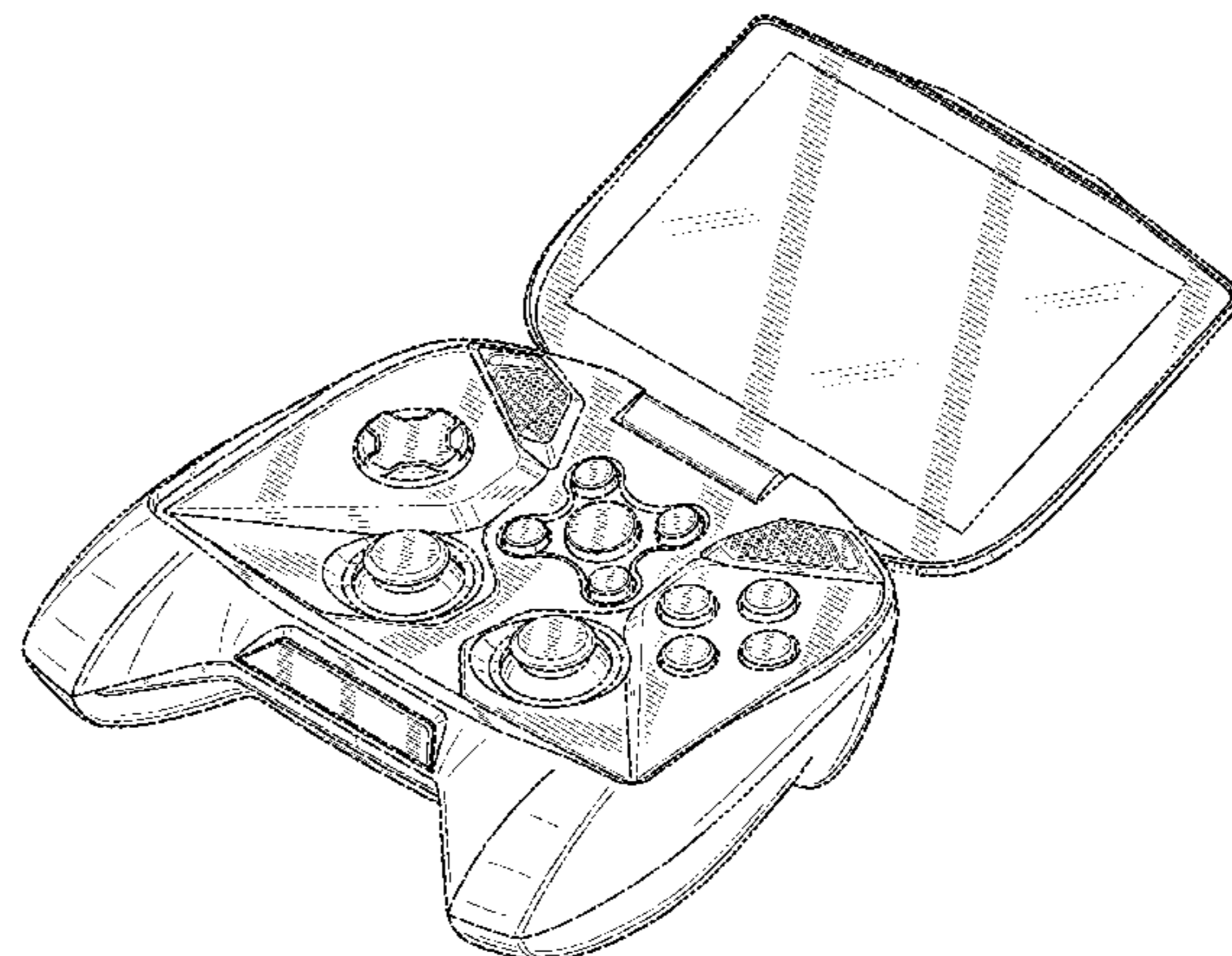
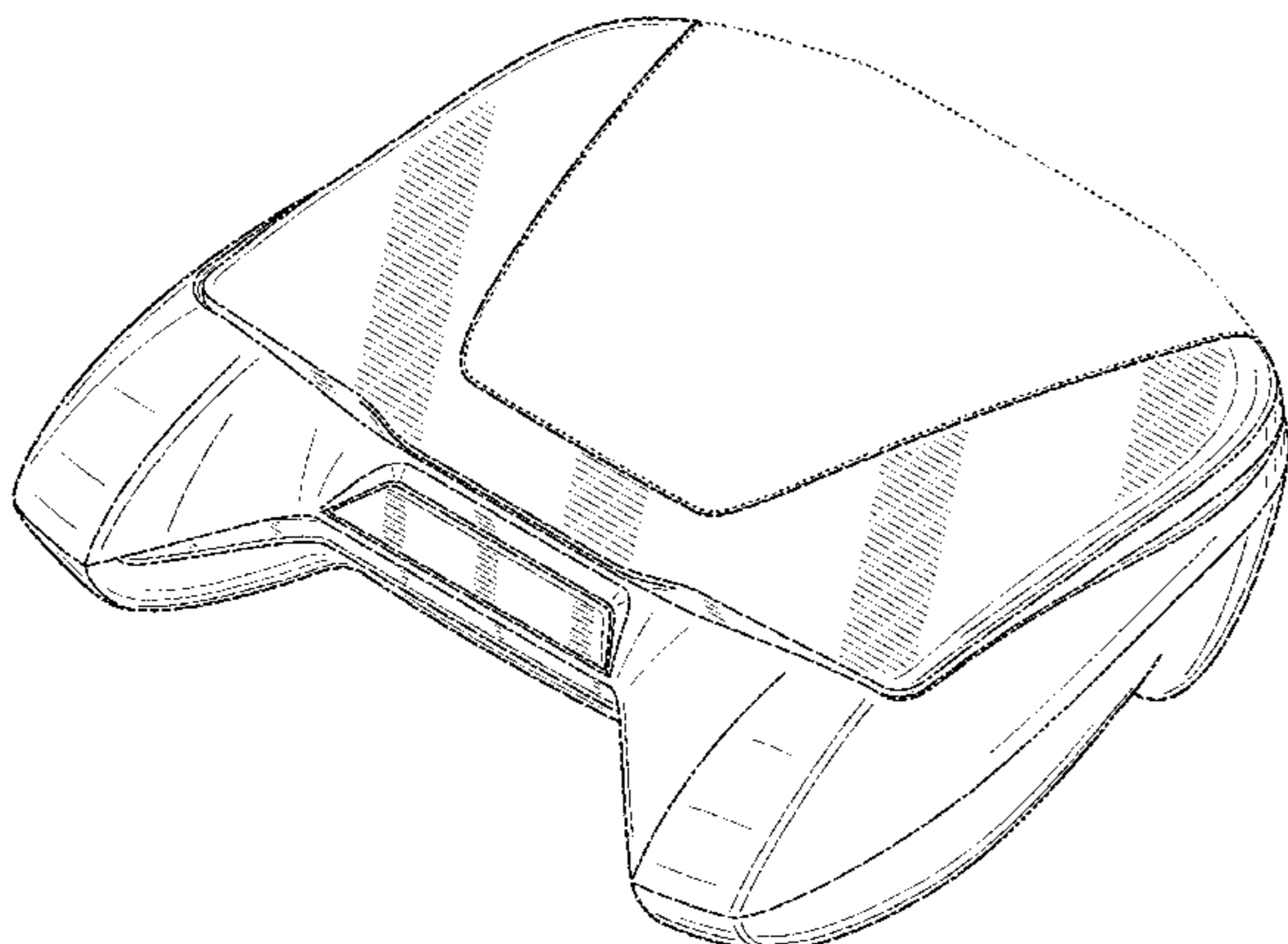
U.S. PATENT DOCUMENTS

D366,285 S 1/1996 Tada

FIG. 1 is an upper right front perspective view of a portable game device showing our new design in a closed state; FIG. 2 is a lower left rear perspective view of a portable game device showing our new design in a closed state; FIG. 3 is a front elevational view of a portable game device showing our new design in a closed state; FIG. 4 is a top plan view of a portable game device showing our new design in a closed state; FIG. 5 is a rear elevational view of a portable game device showing our new design in a closed state; FIG. 6 is a bottom plan view of a portable game device showing our new design in a closed state; FIG. 7 is a right side elevational view of a portable game device showing our new design in a closed state, the left side elevational view being a mirror image thereof; FIG. 8 is an upper right front perspective view of a portable game device showing our new design in an opened state; FIG. 9 is a front elevational view of a portable game device showing our new design in an opened state; FIG. 10 is a top plan view of a portable game device showing our new design in an opened state; FIG. 11 is a rear elevational view of a portable game device showing our new design in an opened state; FIG. 12 is a bottom plan view of a portable game device showing our new design in an opened state; and, FIG. 13 is a right side elevational view of a portable game device showing our new design in an opened state, the left side elevational view being a mirror image thereof.

The broken lines shown in the drawings are for the purpose of illustrating an environment for the claimed designed and form no part of the claimed design.

1 Claim, 10 Drawing Sheets



(56)

References Cited

U.S. PATENT DOCUMENTS

D426,859 S 6/2000 Smith
D434,454 S 11/2000 Benoit et al.
6,225,975 B1 * 5/2001 Furuki et al. 345/156
6,231,444 B1 * 5/2001 Goto et al. 463/37
6,325,719 B1 * 12/2001 Fukawa et al. 463/37
6,347,796 B1 2/2002 Grossman et al.
D469,766 S * 2/2003 Hussaini et al. D14/401

D492,294 S * 6/2004 Kim D14/240
6,743,100 B1 * 6/2004 Neiser 463/37
D493,495 S 7/2004 Avery
D515,633 S 2/2006 Avery
7,063,321 B2 * 6/2006 Hussaini et al. 273/148 B
D553,619 S * 10/2007 Mak et al. D14/401
D620,939 S * 8/2010 Suetake et al. D14/401
D641,022 S * 7/2011 Dodo et al. D14/401
D685,434 S * 7/2013 Ali et al. D21/333
8,568,241 B2 10/2013 Bailey

* cited by examiner

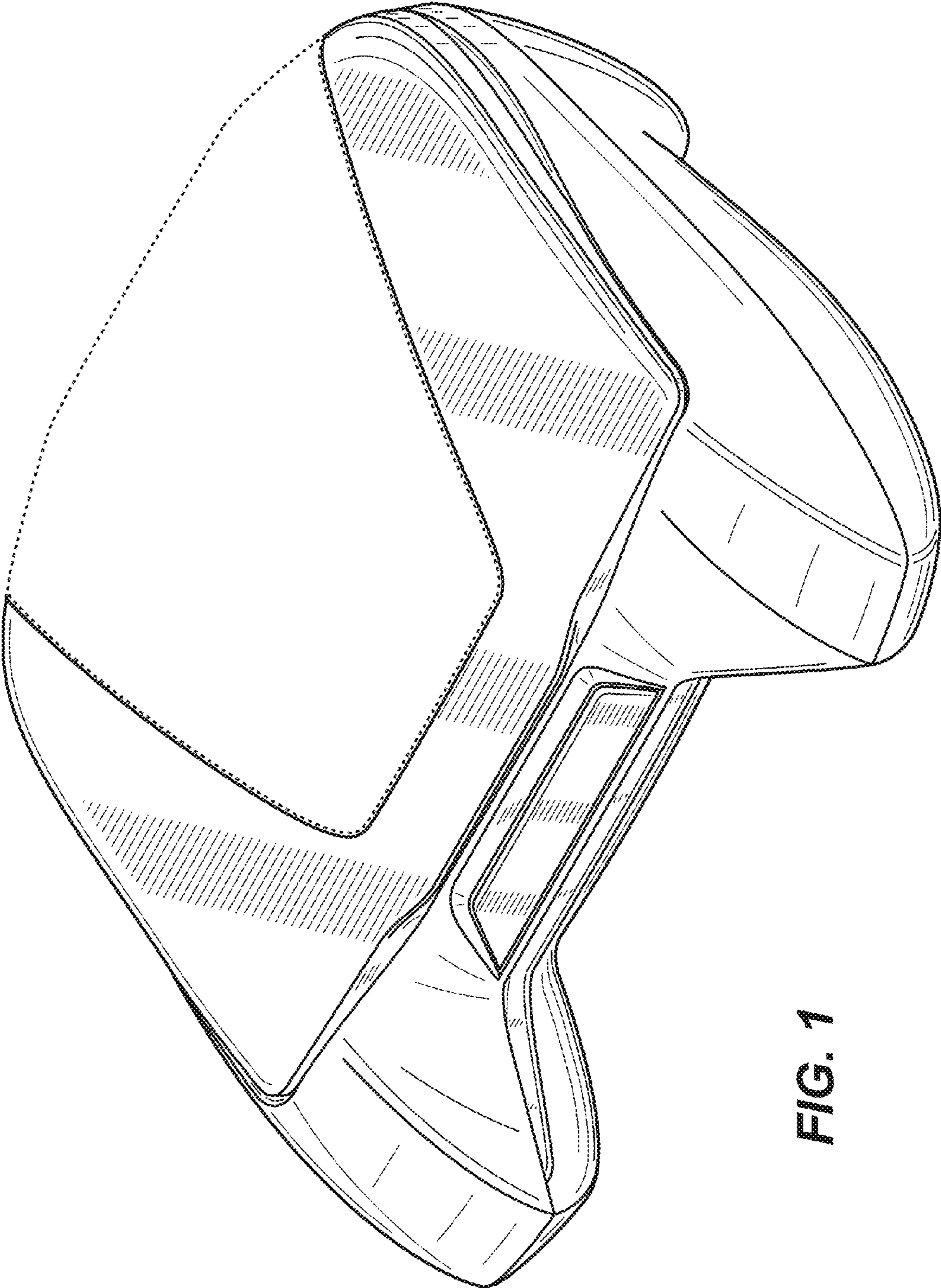


FIG. 1

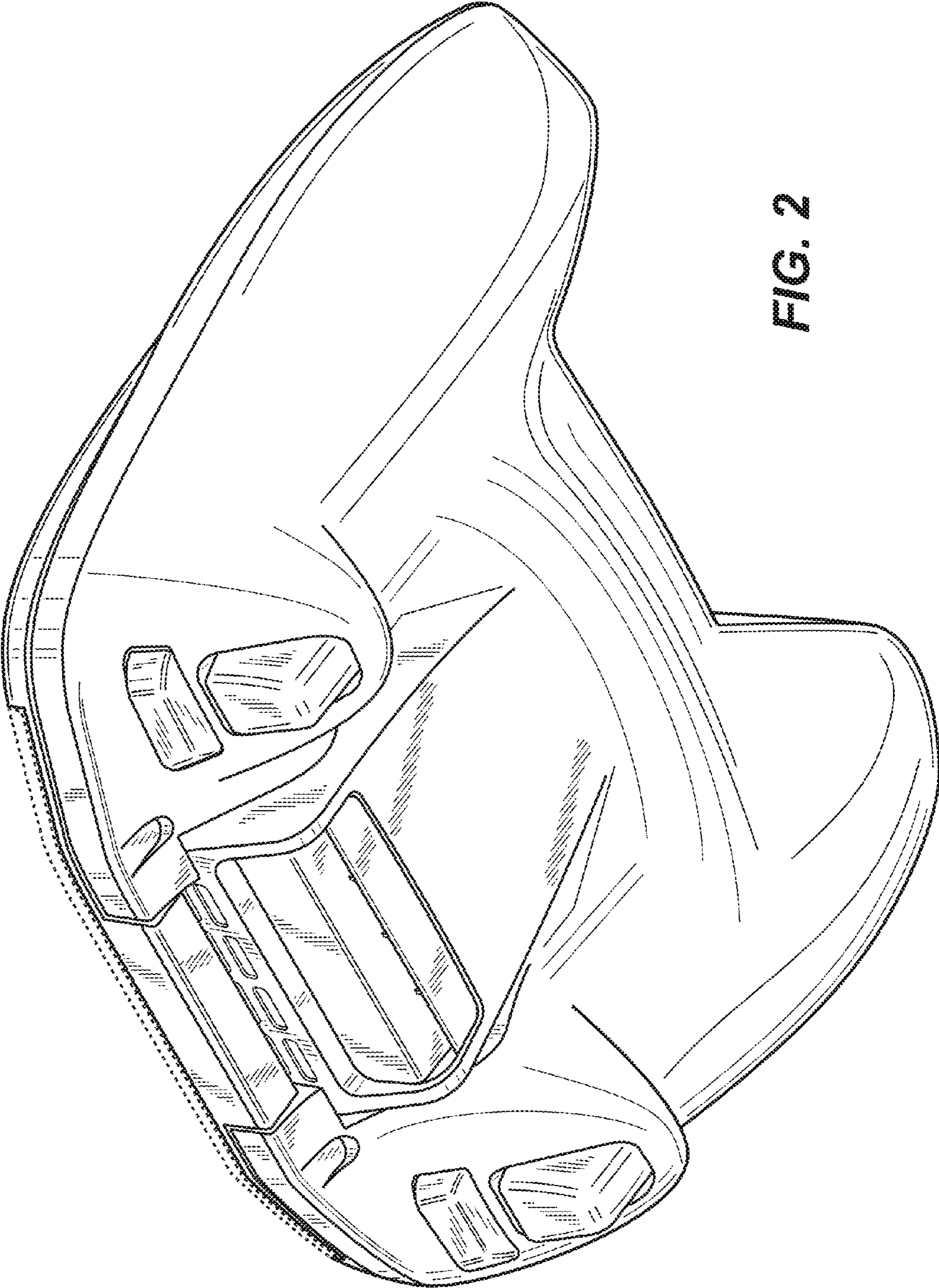


FIG. 2

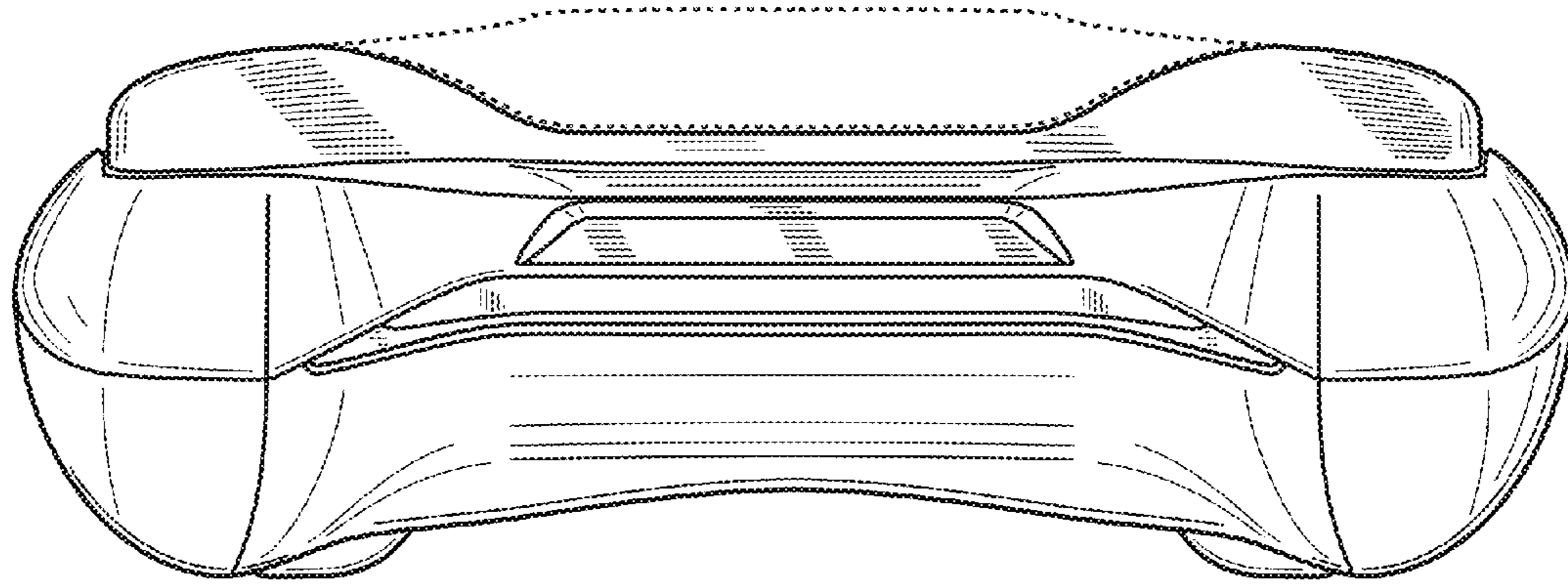


FIG. 3

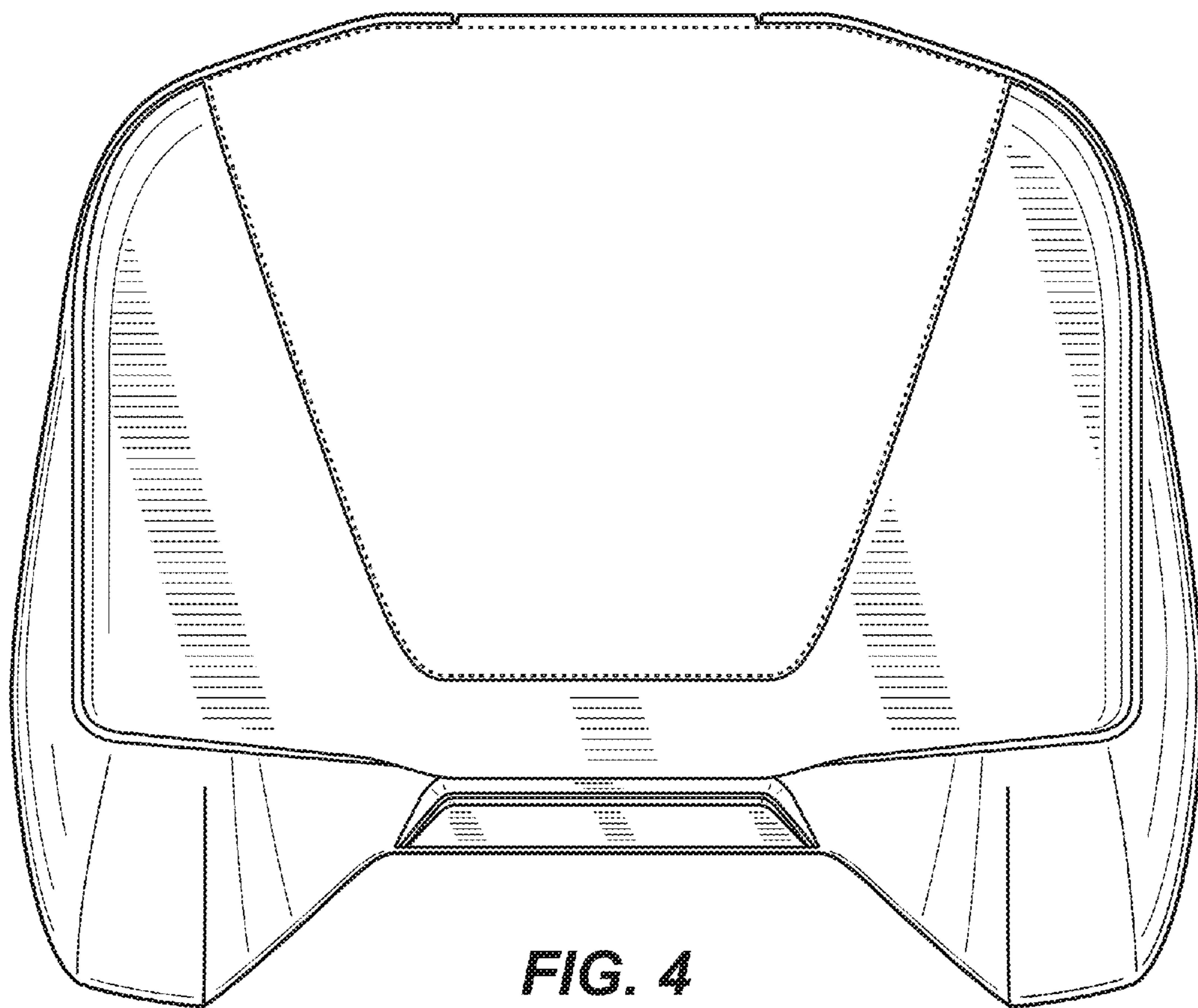


FIG. 4

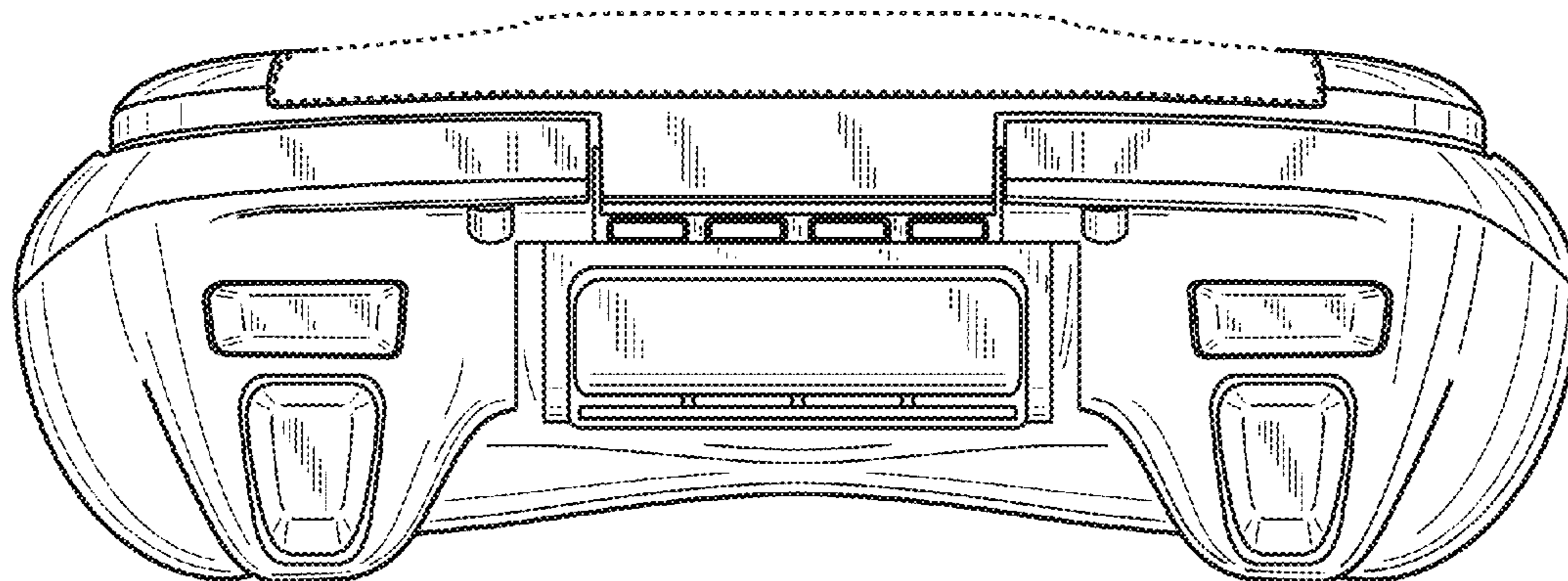


FIG. 5

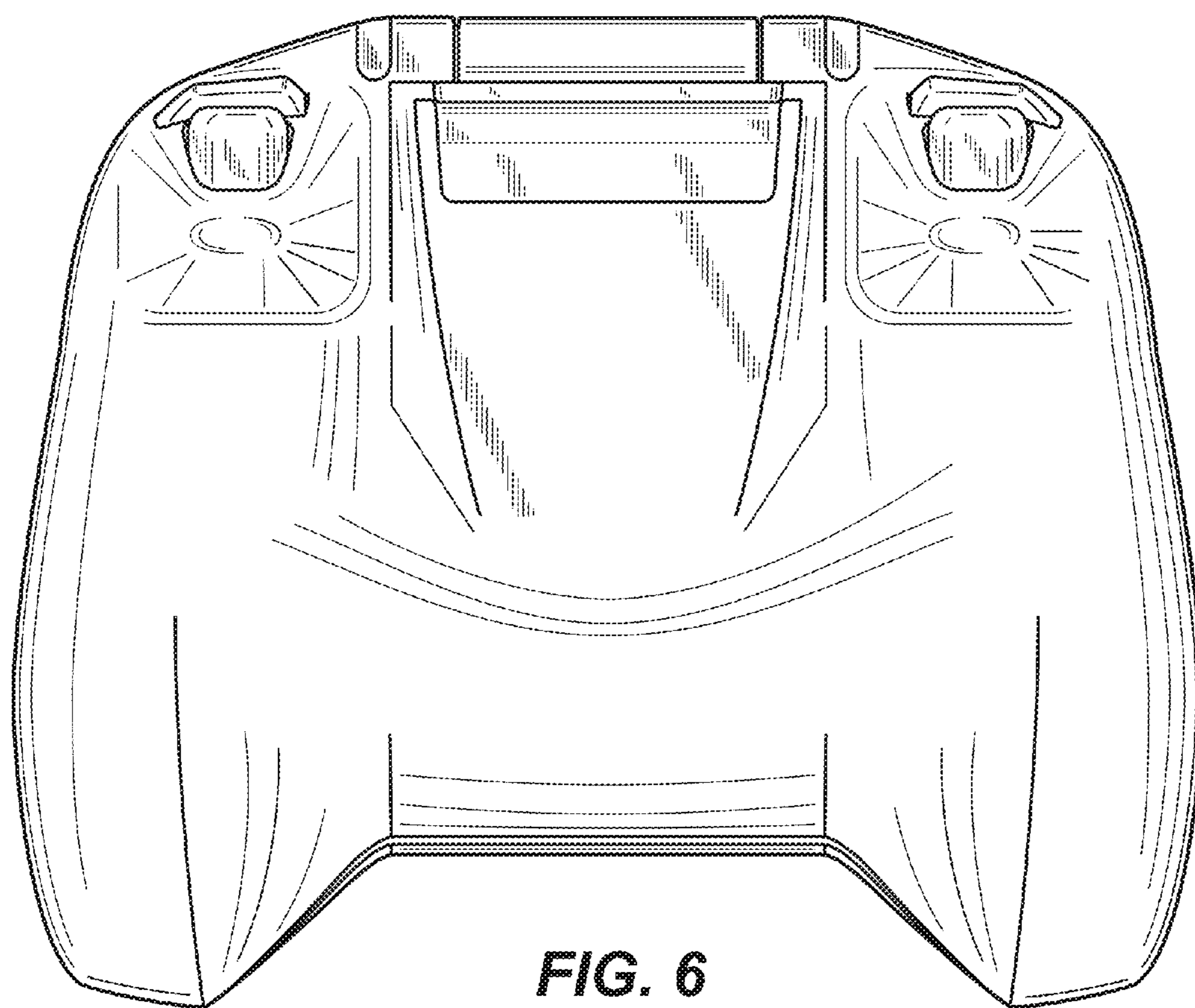


FIG. 6

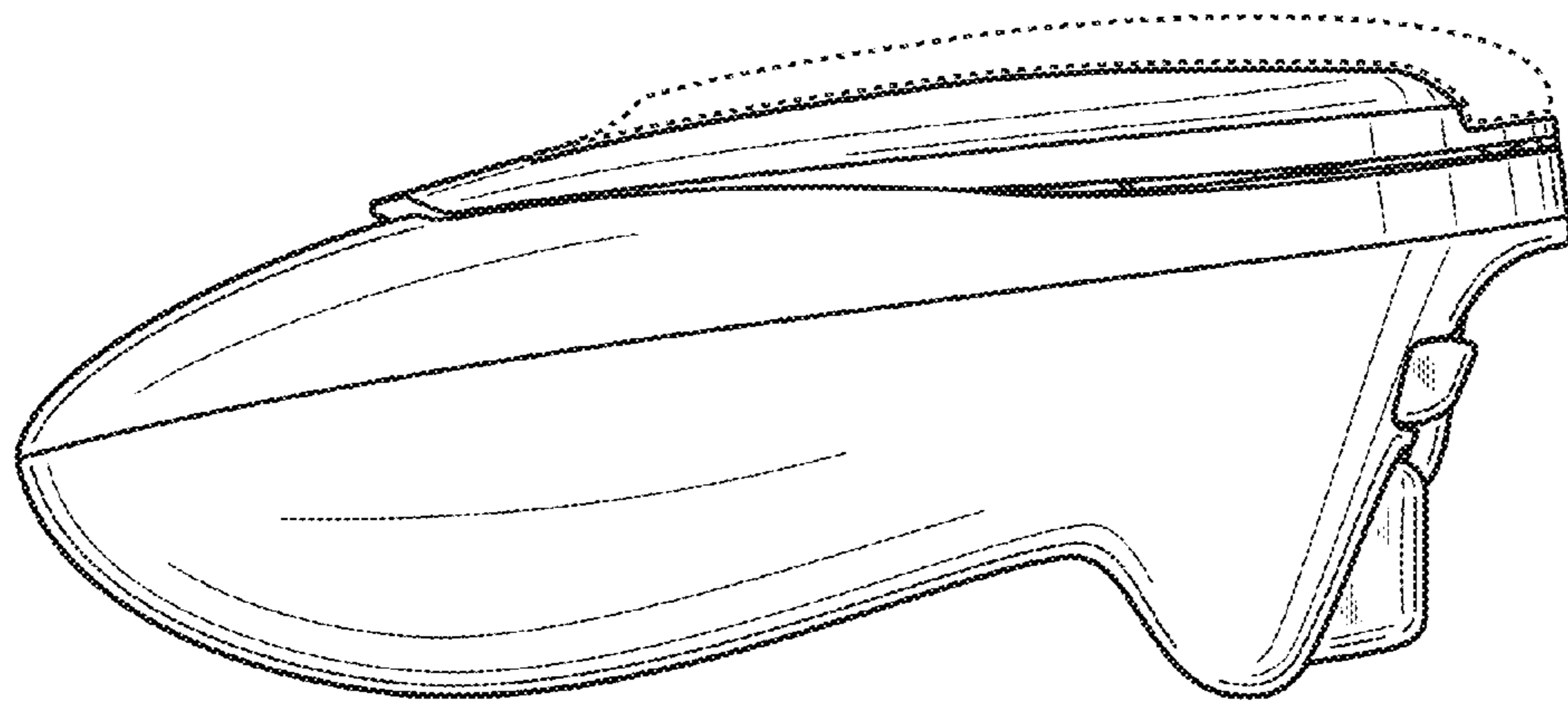


FIG. 7

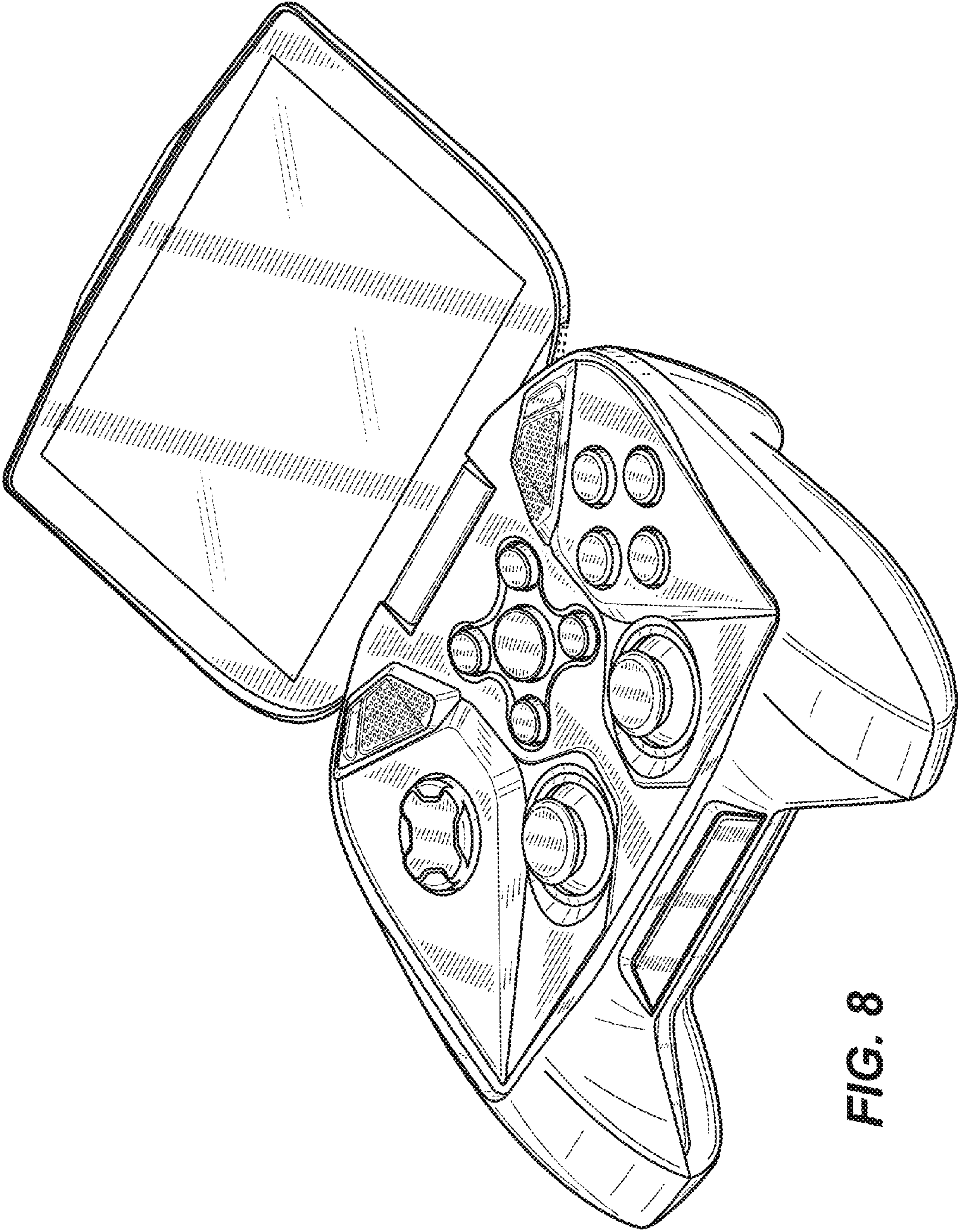


FIG. 8

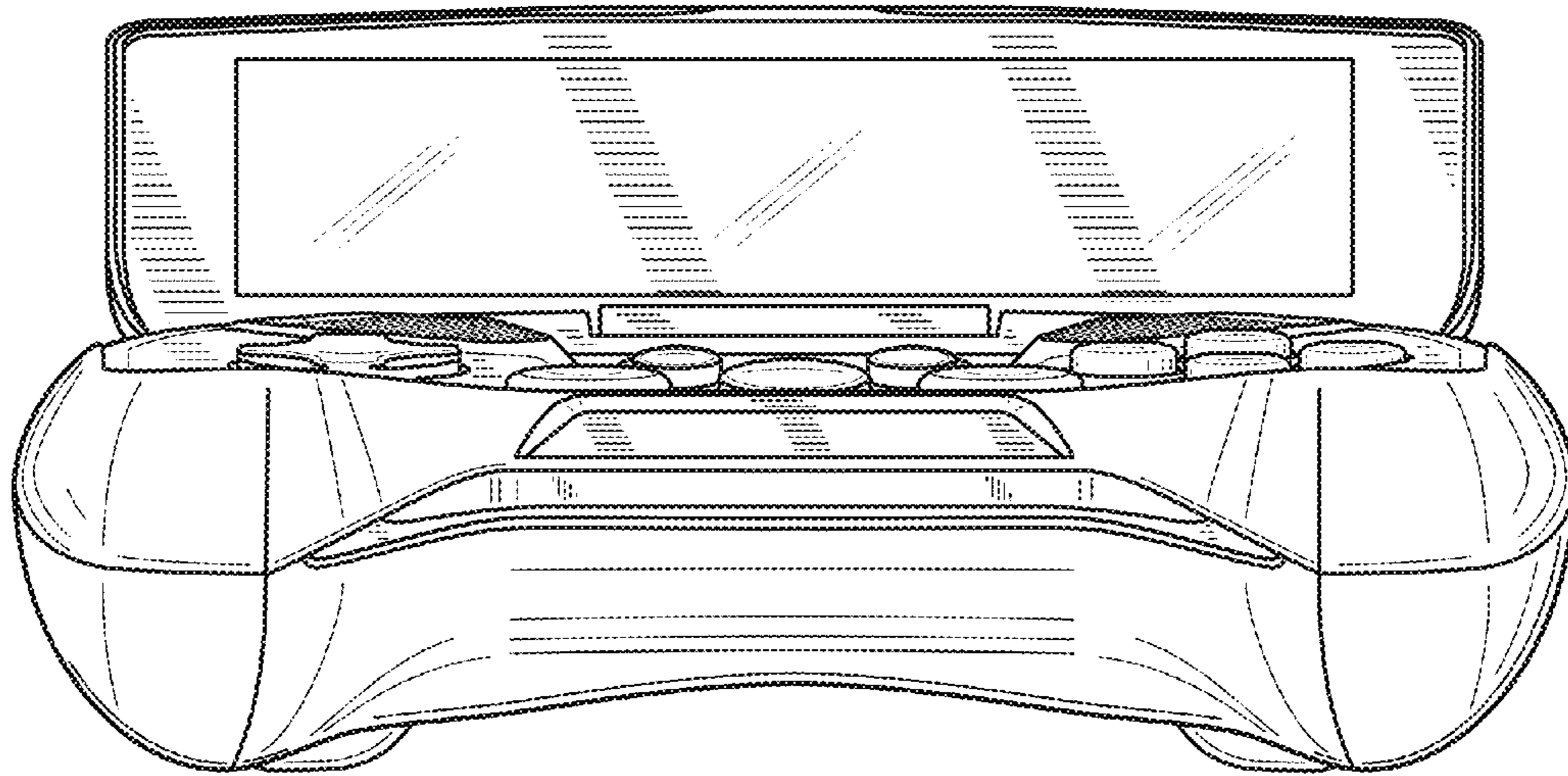


FIG. 9

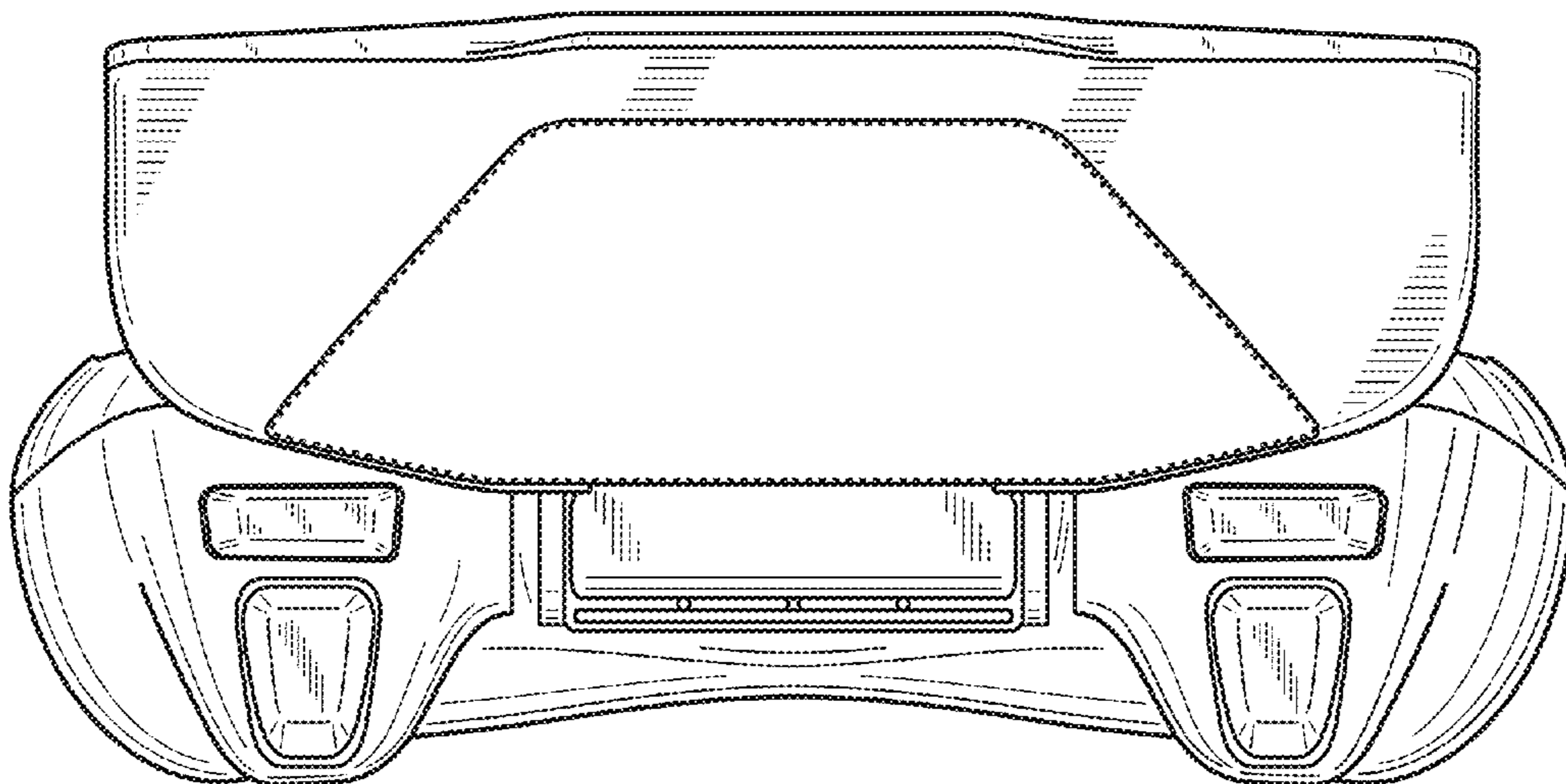


FIG. 11

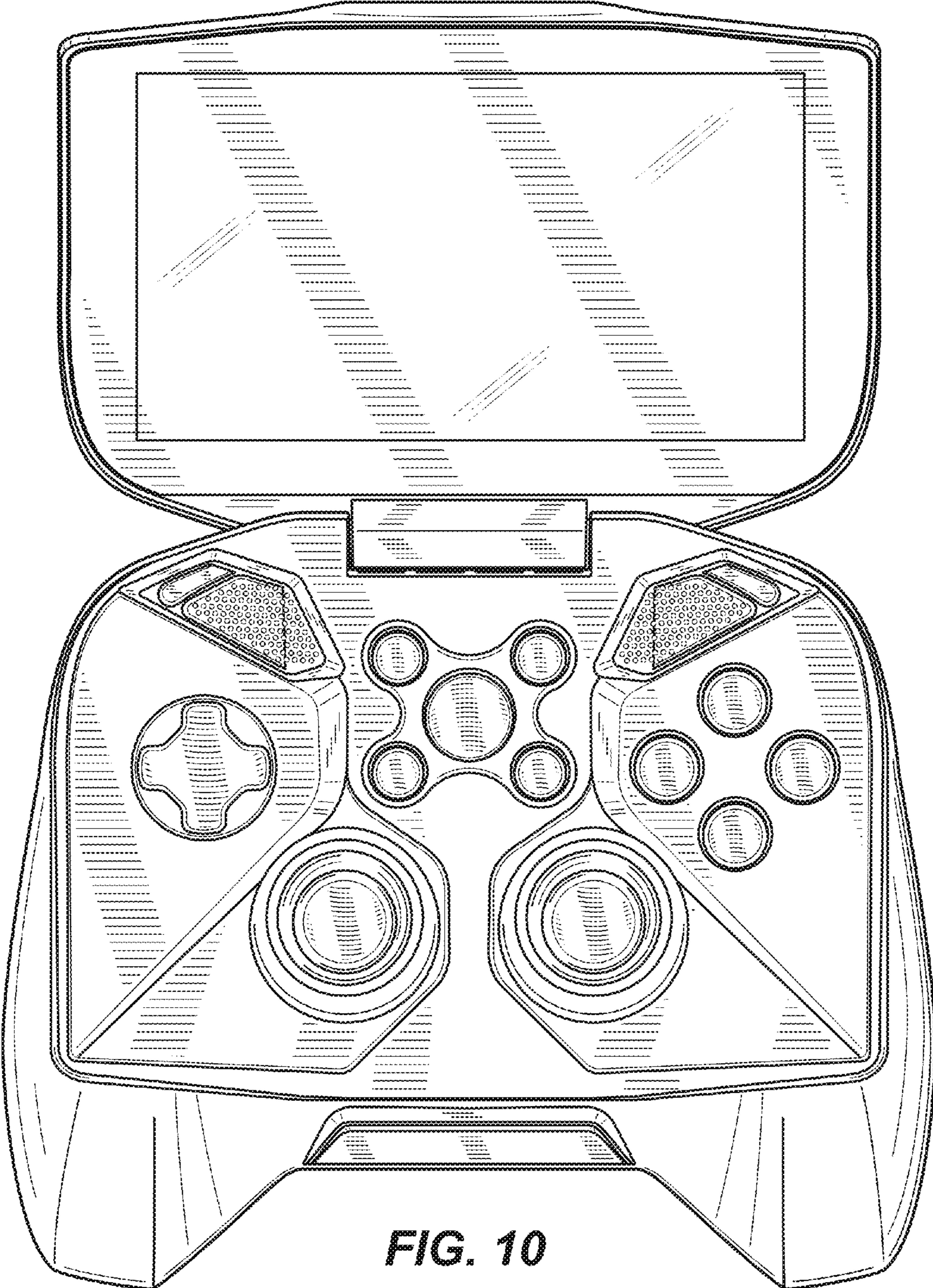


FIG. 10

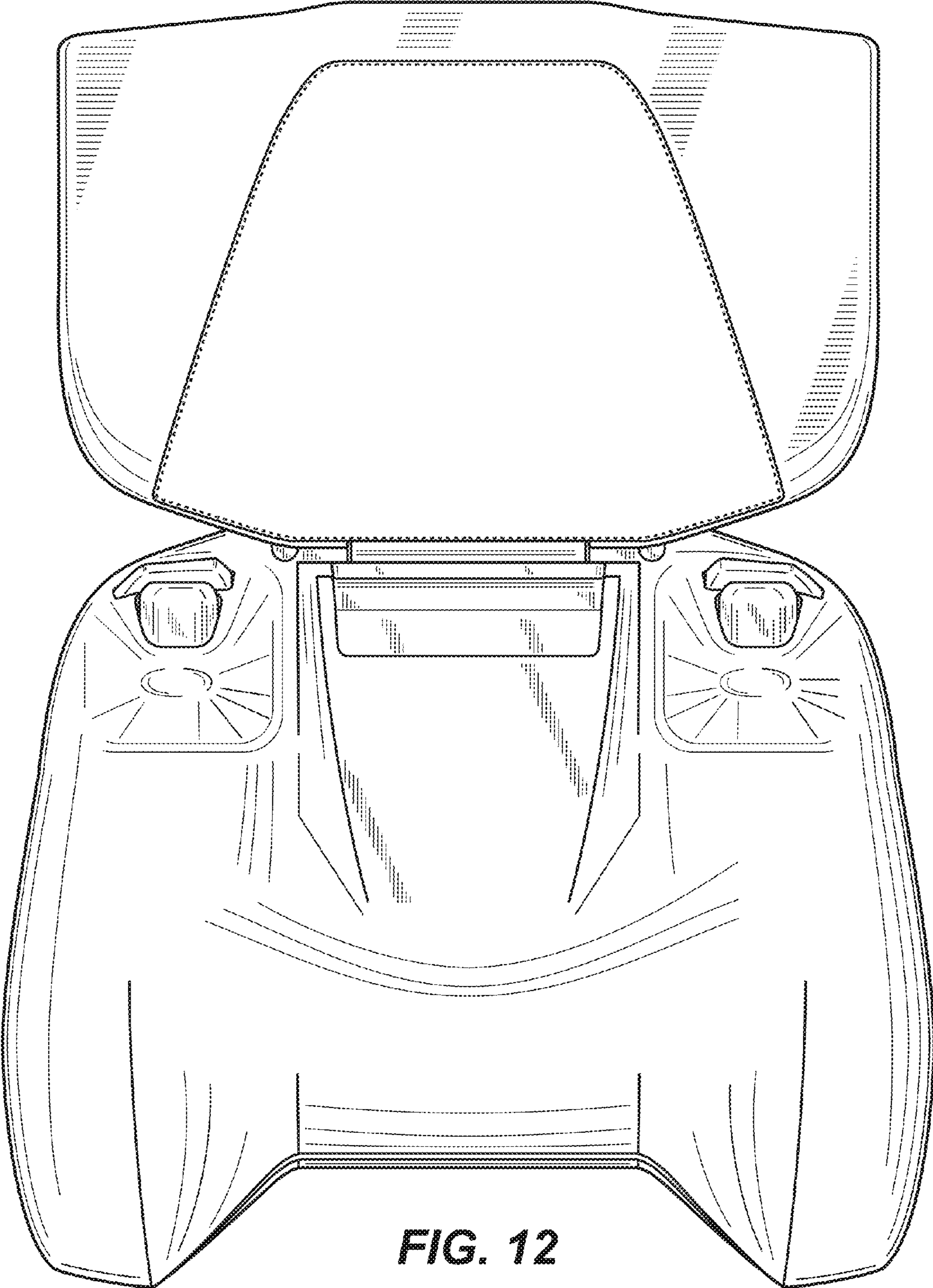


FIG. 12

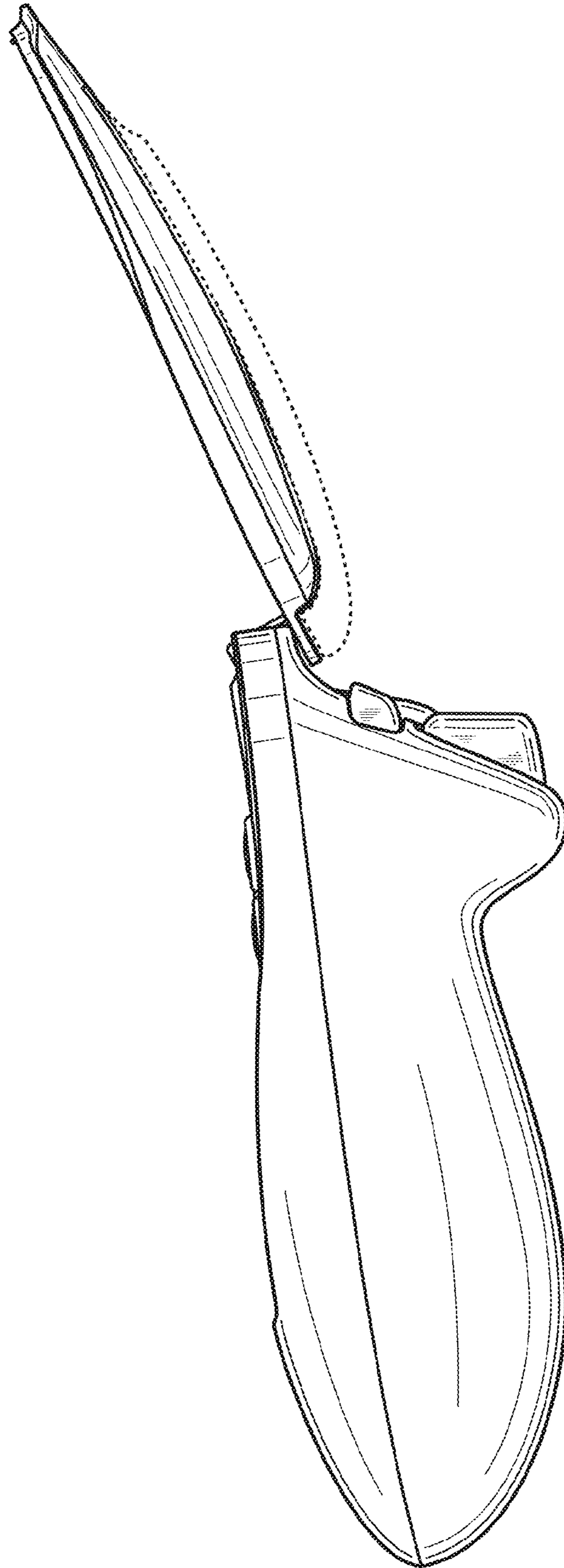


FIG. 13