



US00D702677S

(12) **United States Design Patent**
Choi et al.

(10) **Patent No.:** **US D702,677 S**
(45) **Date of Patent:** **** Apr. 15, 2014**

(54) **DESKTOP COMPUTER**

(71) Applicant: **ZeroDesktop, Inc.**, San Mateo, CA (US)

(72) Inventors: **KiHo Choi**, Seoul (KR); **BoEun Jung**,
Sunnam-Si (KR); **Minhee Lee**, Seoul
(KR)

(73) Assignee: **ZeroDesktop, Inc.**, San Mateo, CA (US)

(**) Term: **14 Years**

(21) Appl. No.: **29/440,575**

(22) Filed: **Dec. 21, 2012**

(51) **LOC (10) Cl.** **14-02**

(52) **U.S. Cl.**
USPC **D14/314**

(58) **Field of Classification Search**
USPC D14/300, 301, 308, 314, 348, 349–356,
D14/358; D13/162, 184, 199;
312/223.1–223.2; 360/99.01–99.12;
369/34.01, 36.01; 361/679.01, 679.6,
361/679.22; 345/173

See application file for complete search history.

(56) **References Cited**

U.S. PATENT DOCUMENTS

D442,585 S * 5/2001 Toussi et al. D14/356
D563,994 S * 3/2008 Liu et al. D14/496
D602,019 S * 10/2009 Wang et al. D14/356

* cited by examiner

Primary Examiner — Freda S Nunn

(74) *Attorney, Agent, or Firm* — Fenwick & West LLP

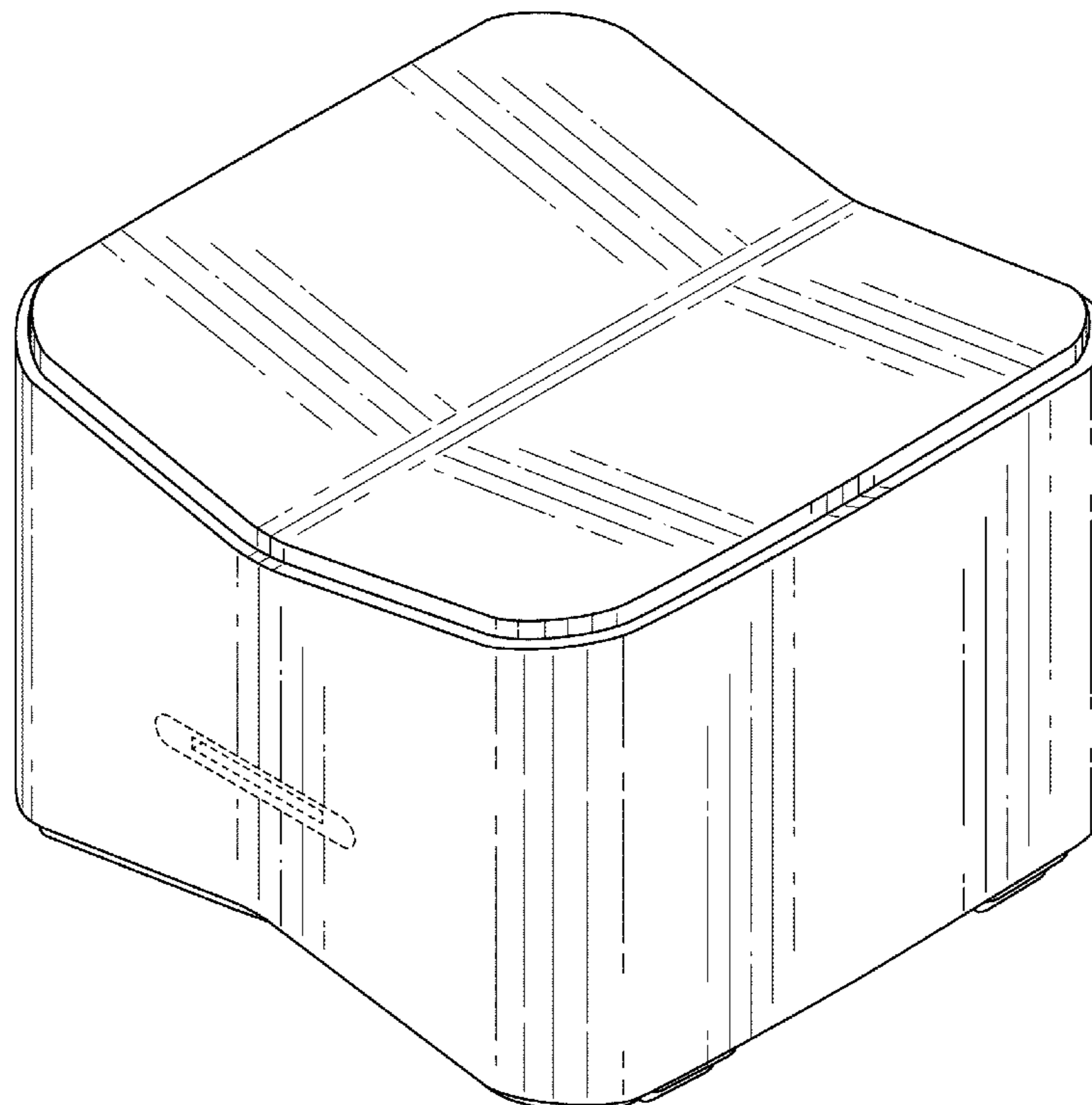
(57) **CLAIM**

The ornamental design for a desktop computer, as shown and described.

DESCRIPTION

FIG. 1 is a perspective view of a desktop computer.
FIG. 2 is a front view of the desktop computer of FIG. 1.
FIG. 3 is a rear view of the desktop computer of FIG. 1.
FIG. 4 is a left side view of the desktop computer of FIG. 1.
FIG. 5 is a right side view of the desktop computer of FIG. 1.
FIG. 6 is a top view of desktop computer of FIG. 1; and,
FIG. 7 is a bottom view of the desktop computer of FIG. 1.
Portions of the disclosure shown in broken lines form no part
of the claimed design.

1 Claim, 5 Drawing Sheets



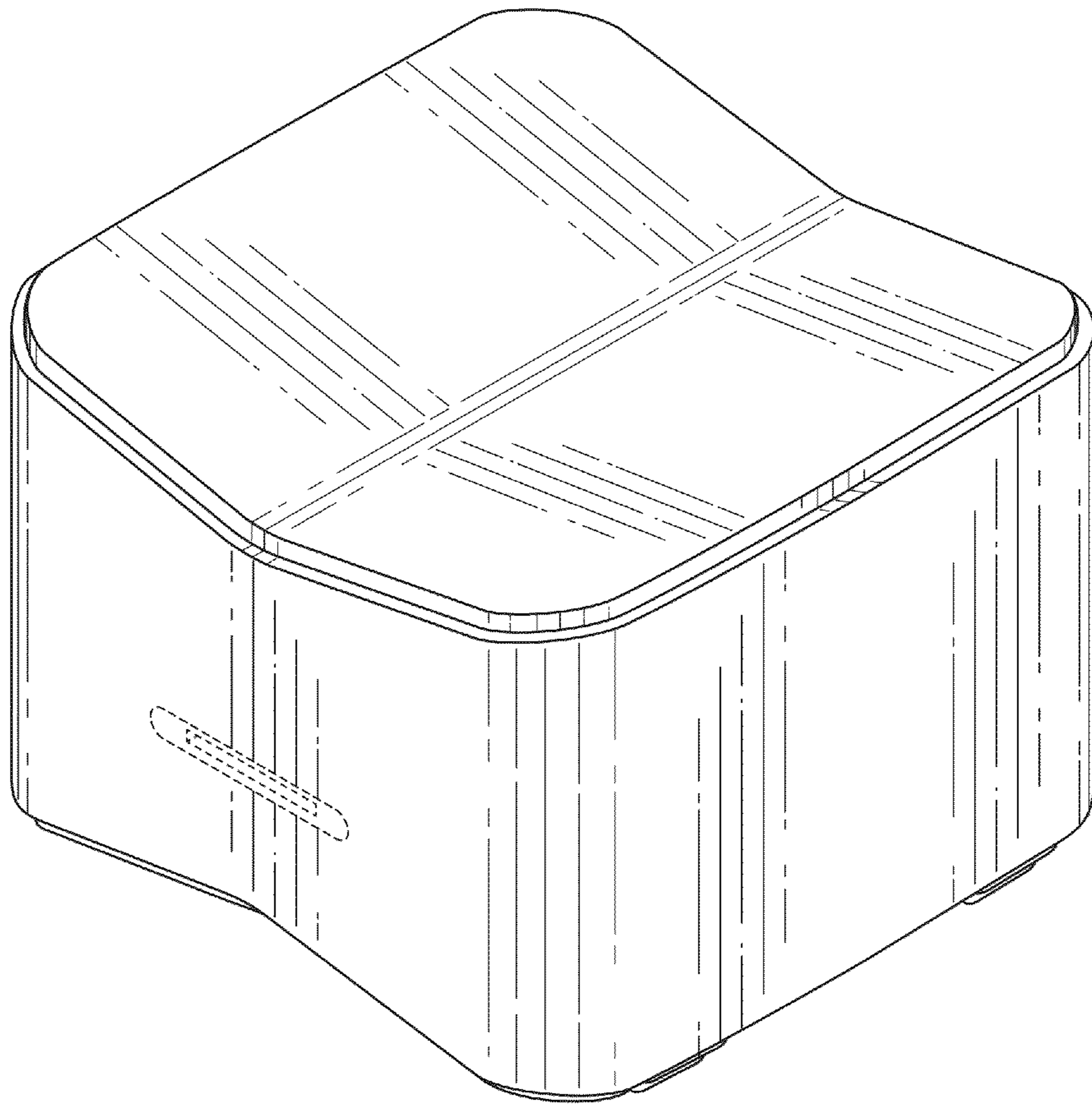


FIG. 1

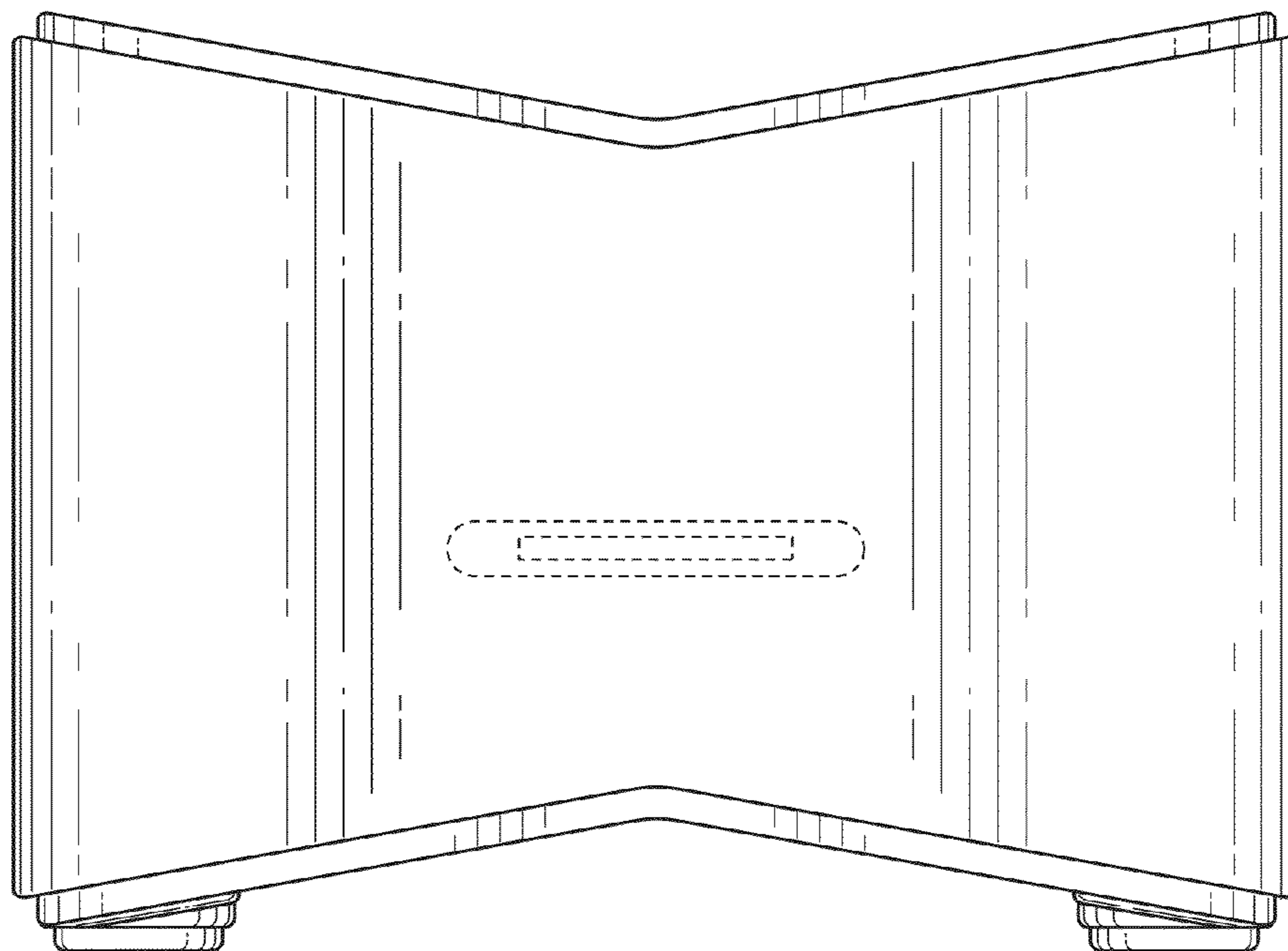


FIG. 2

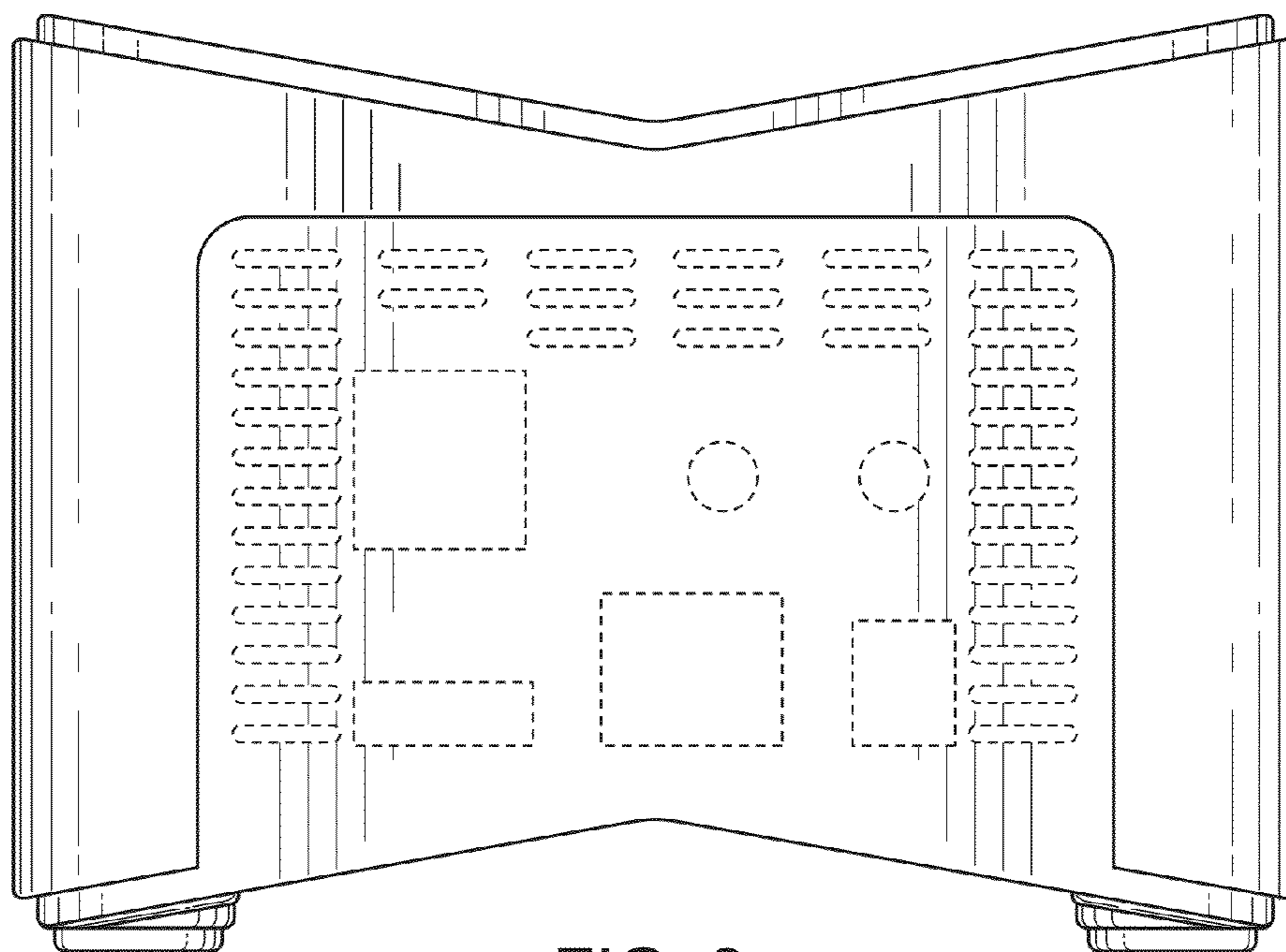


FIG. 3

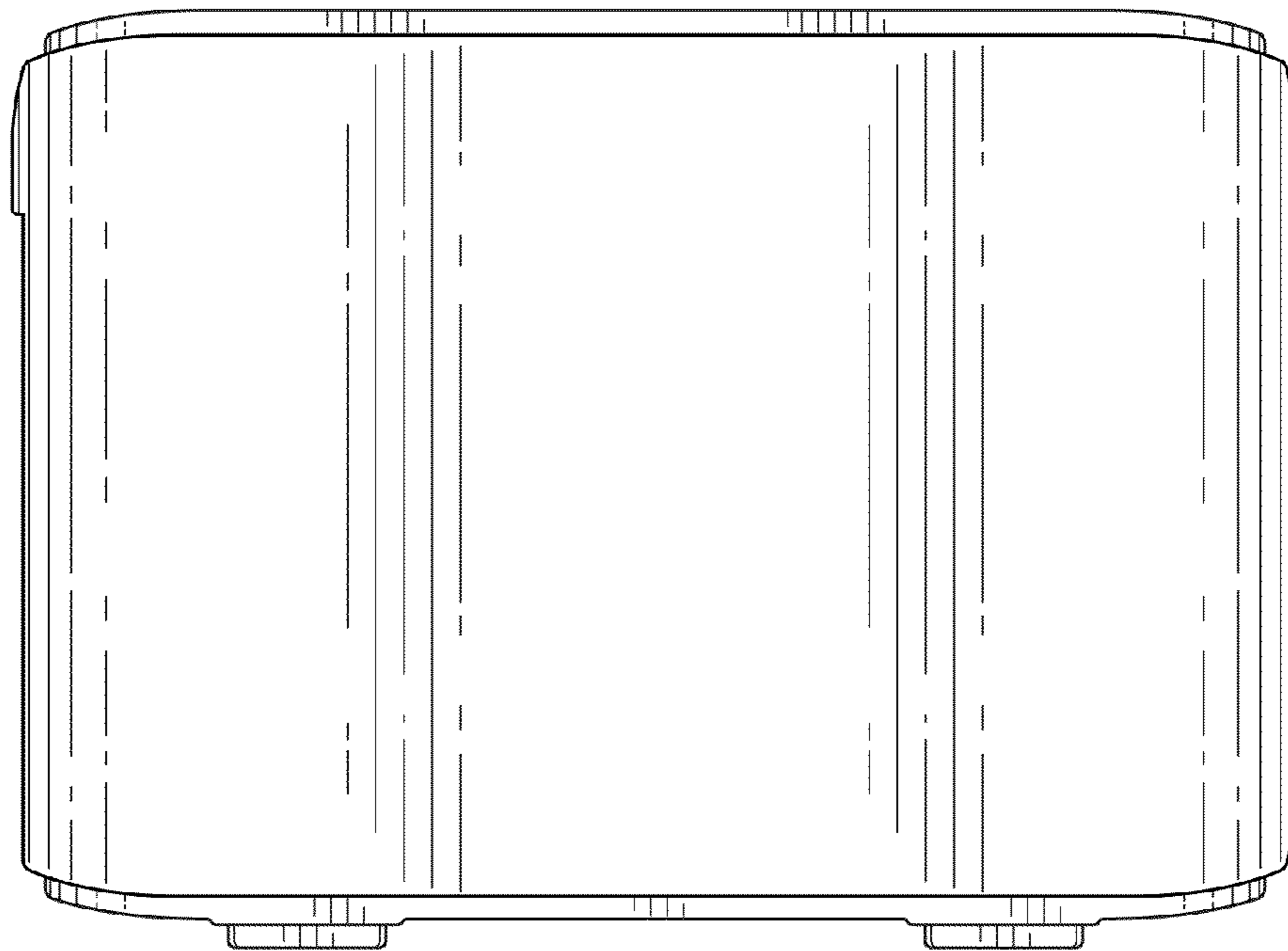


FIG. 4

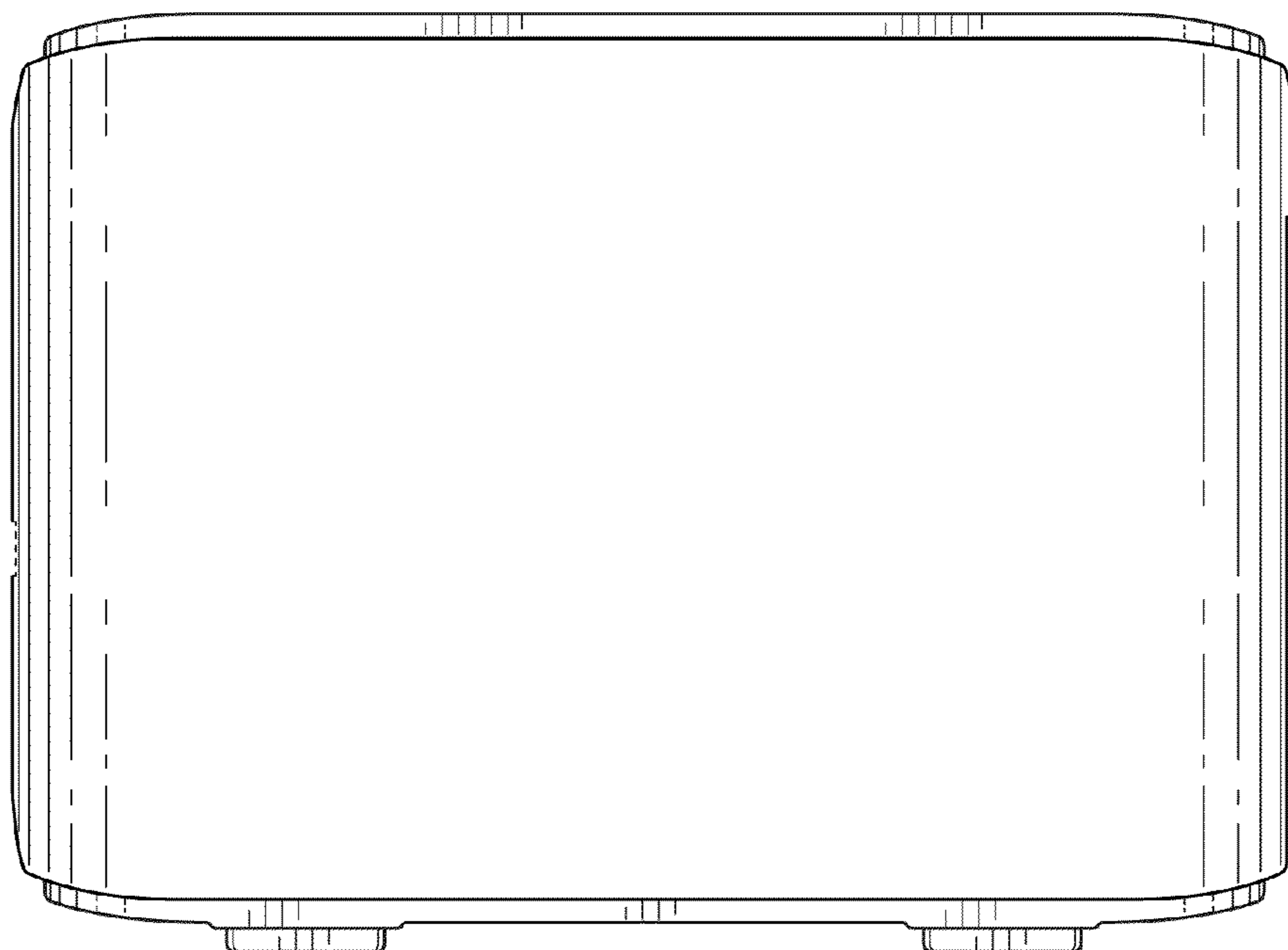


FIG. 5

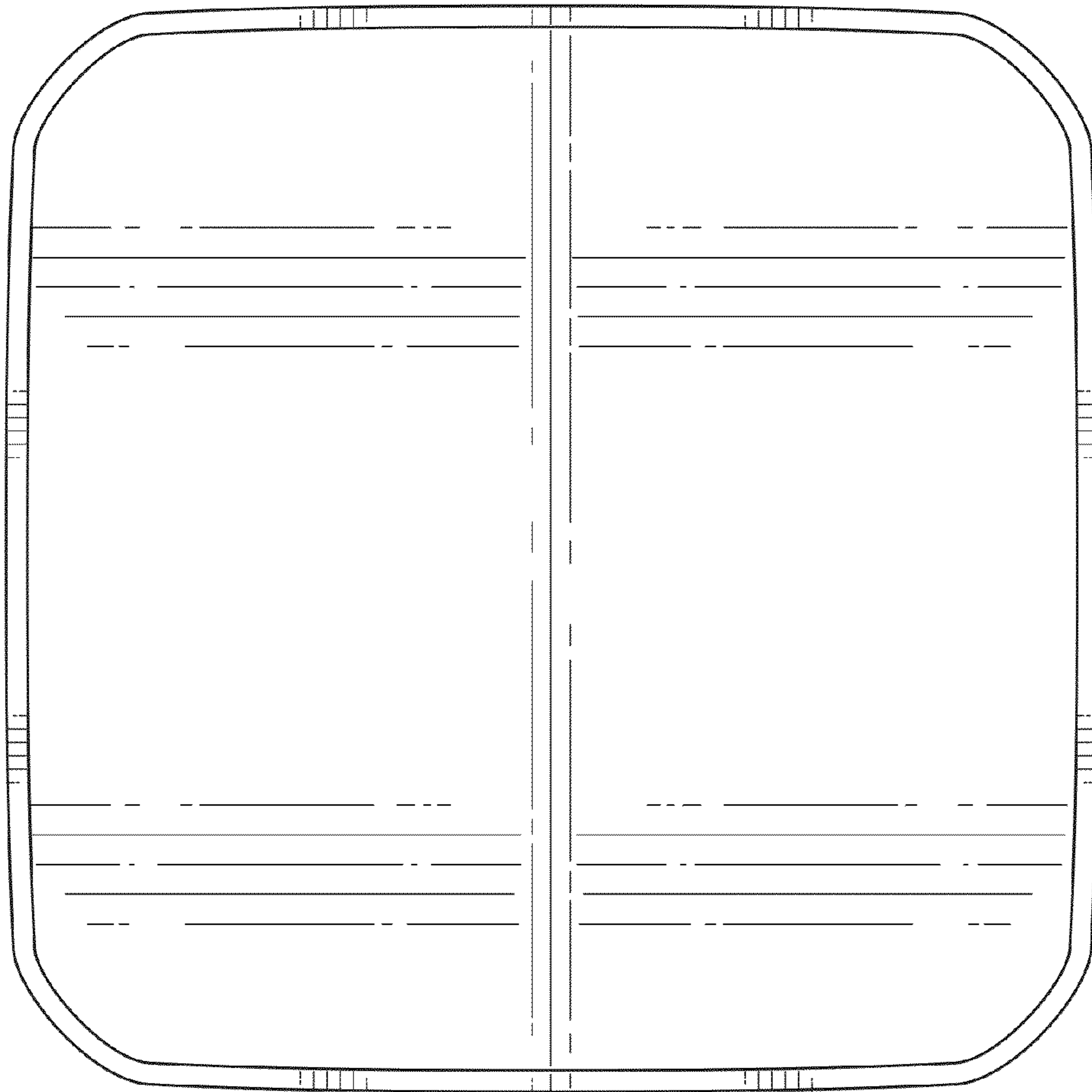


FIG. 6

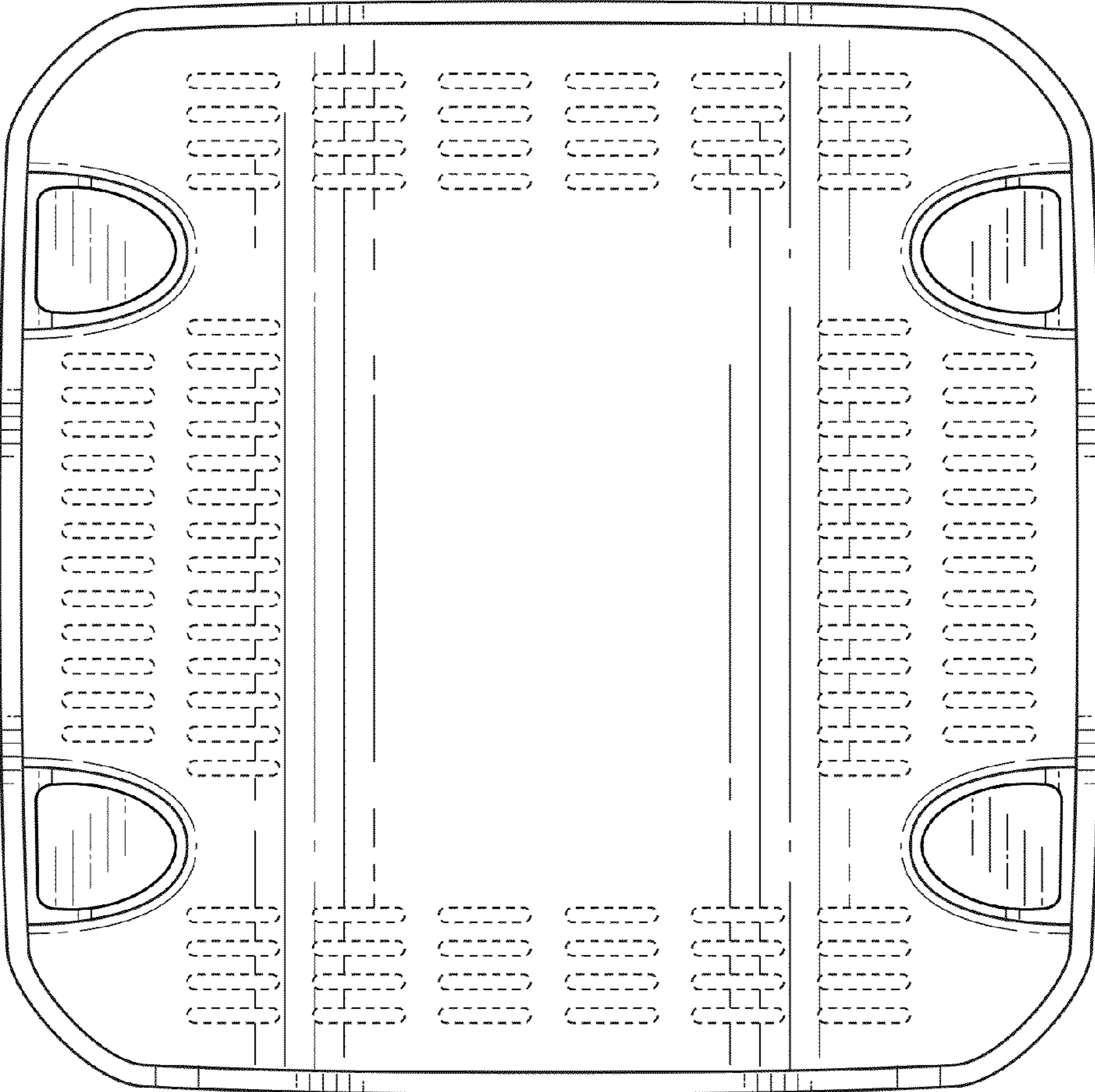


FIG. 7