



US00D702676S

(12) **United States Design Patent**
Smith et al.

(10) **Patent No.:** **US D702,676 S**

(45) **Date of Patent:** **** Apr. 15, 2014**

(54) **INTERACTIVE TERMINAL**

(71) Applicants: **Gavin Smith**, Crawley (GB); **Colin Fullalove**, Surrey (GB); **Steffan Reymann**, Reigate (GB); **Tom Vilhelmsen**, Holbaek (DK); **Mark Pottinger**, Lewes (GB); **Neil Pilcher**, Surrey (GB); **John Siseman**, Surrey (GB); **Tony Williams**, Surrey (GB); **Michael Formby**, Chichester (GB); **Jason Kenward**, Surrey (GB); **Kamran Yazdanjoo**, Milton Keynes (GB); **David Roat**, Horsham (GB); **Adrian Caroen**, Henfield (GB); **Matthew Tidnam**, Surrey (GB); **Rowan Williams**, London (GB); **Kok Chian Leong**, London (GB); **Lee Carroll**, London (GB)

(72) Inventors: **Gavin Smith**, Crawley (GB); **Colin Fullalove**, Surrey (GB); **Steffan Reymann**, Reigate (GB); **Tom Vilhelmsen**, Holbaek (DK); **Mark Pottinger**, Lewes (GB); **Neil Pilcher**, Surrey (GB); **John Siseman**, Surrey (GB); **Tony Williams**, Surrey (GB); **Michael Formby**, Chichester (GB); **Jason Kenward**, Surrey (GB); **Kamran Yazdanjoo**, Milton Keynes (GB); **David Roat**, Horsham (GB); **Adrian Caroen**, Henfield (GB); **Matthew Tidnam**, Surrey (GB); **Rowan Williams**, London (GB); **Kok Chian Leong**, London (GB); **Lee Carroll**, London (GB)

(73) Assignee: **Cubic Corporation**, San Diego, CA (US)

(**) Term: **14 Years**

(21) Appl. No.: **29/448,281**

(22) Filed: **Mar. 11, 2013**

(51) **LOC (10) Cl.** **14-02**

(52) **U.S. Cl.**
USPC **D14/307**

(58) **Field of Classification Search**
USPC D14/302–307, 900–902; D13/163; D20/10; D21/332, 325, 369, 370; D99/28; D6/397, 466; 194/206; 361/679.01, 679.02, 679.04, 679.21, 361/679.57, 725
See application file for complete search history.

(56) **References Cited**

U.S. PATENT DOCUMENTS

D339,933	S	*	10/1993	Fafoutis	D6/419
D605,190	S	*	12/2009	Kuroda et al.	D14/307
D628,742	S	*	12/2010	Hsu	D28/9
D637,595	S	*	5/2011	Mizusugi	D14/307
D661,291	S	*	6/2012	Renukanand et al.	D14/307
D661,292	S	*	6/2012	Kuroda et al.	D14/307
D661,293	S	*	6/2012	Kuroda et al.	D14/307
D669,891	S	*	10/2012	Bowles et al.	D14/307
D671,535	S	*	11/2012	Terashima et al.	D14/307
D675,607	S	*	2/2013	Ono	D14/307
D675,608	S	*	2/2013	Ono	D14/307
D676,038	S	*	2/2013	Masuda et al.	D14/307
D687,429	S	*	8/2013	Nelson et al.	D14/307

* cited by examiner

Primary Examiner — Austin Murphy

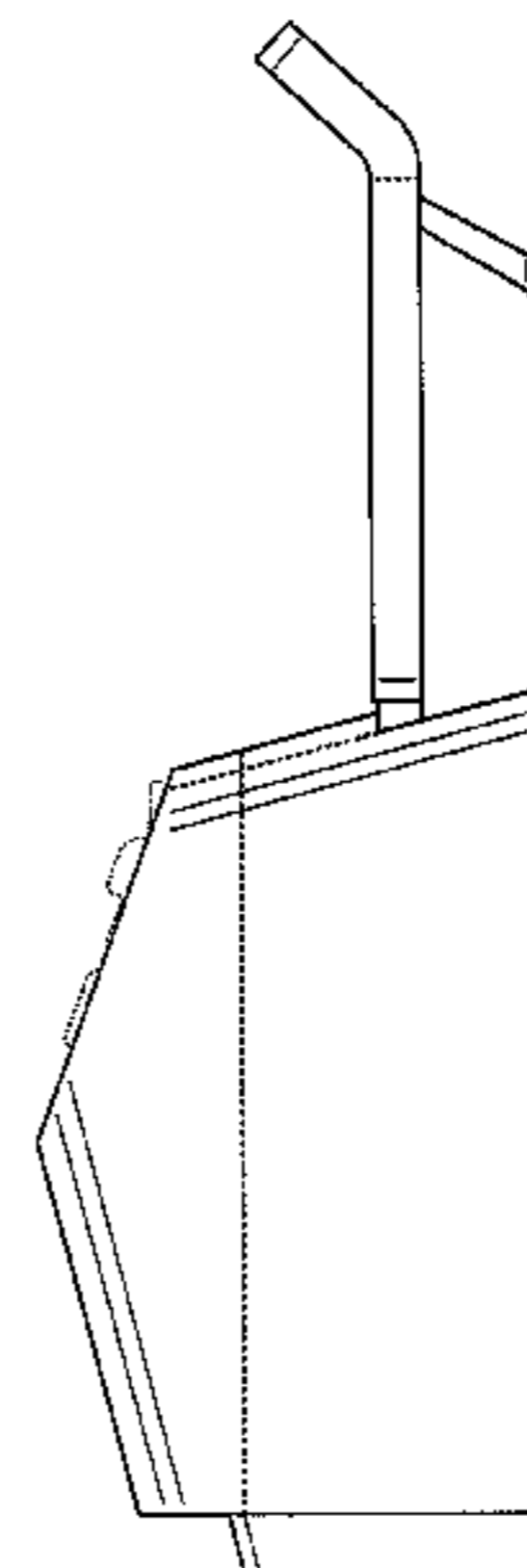
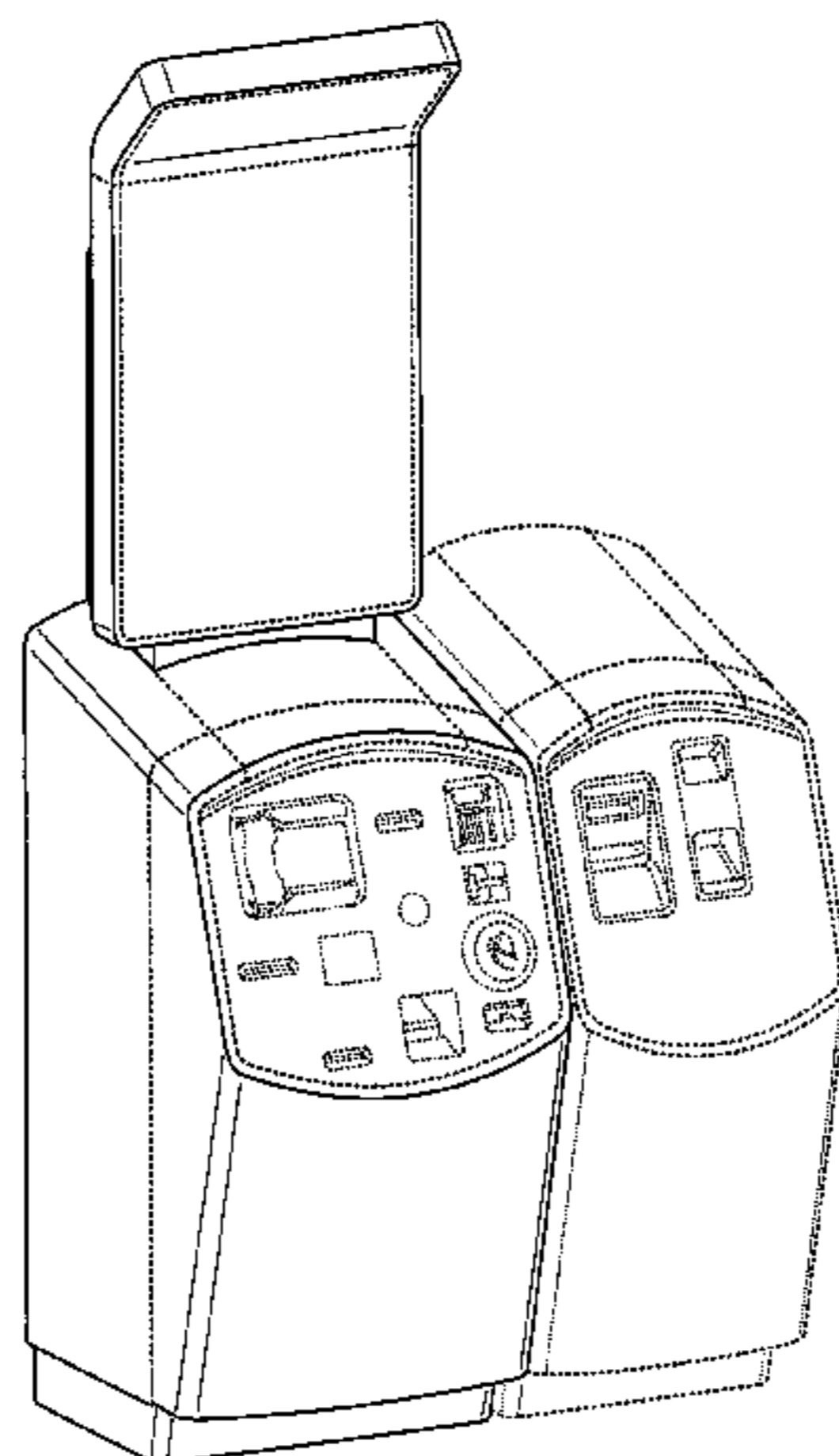
(74) *Attorney, Agent, or Firm* — Kilpatrick Townsend & Stockton LLP

(57) **CLAIM**

The ornamental design for the interactive terminal, as shown and described.

DESCRIPTION

FIG. 1 is a perspective view of an interactive terminal;
FIG. 2 is a front elevation view thereof;
FIG. 3 is a back elevation view thereof;
FIG. 4 is a left side elevation view thereof;
FIG. 5 is a right side elevation view thereof;
FIG. 6 is a top plan view thereof; and,
FIG. 7 is a bottom plan view thereof.



Any broken lines herein, or those added later by amendment, represent unclaimed subject matter and form no part of the claimed design. Further, in the above figures, the interactive terminal is illustrated as a stand-alone system.

1 Claim, 7 Drawing Sheets

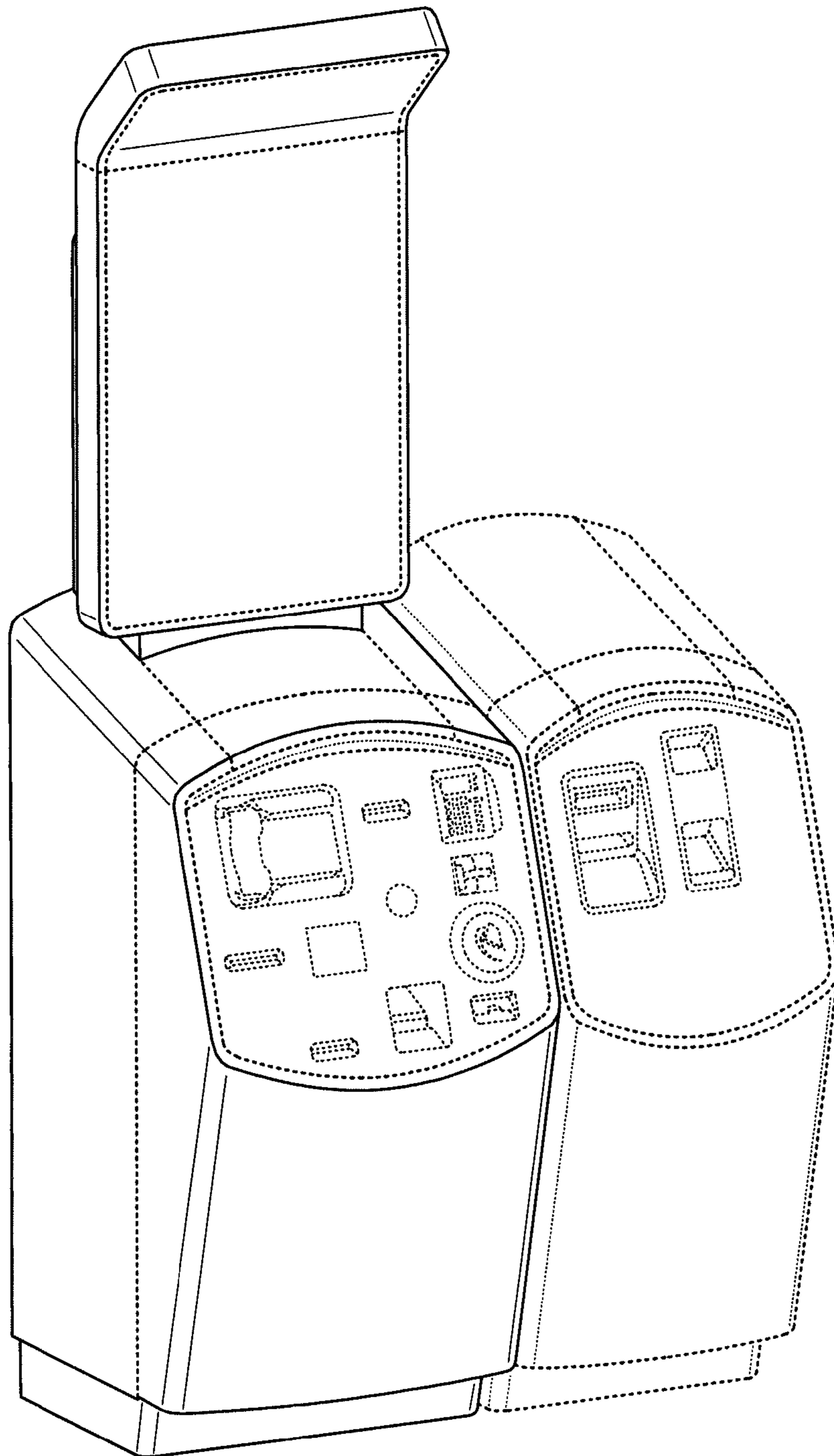


FIG. 1

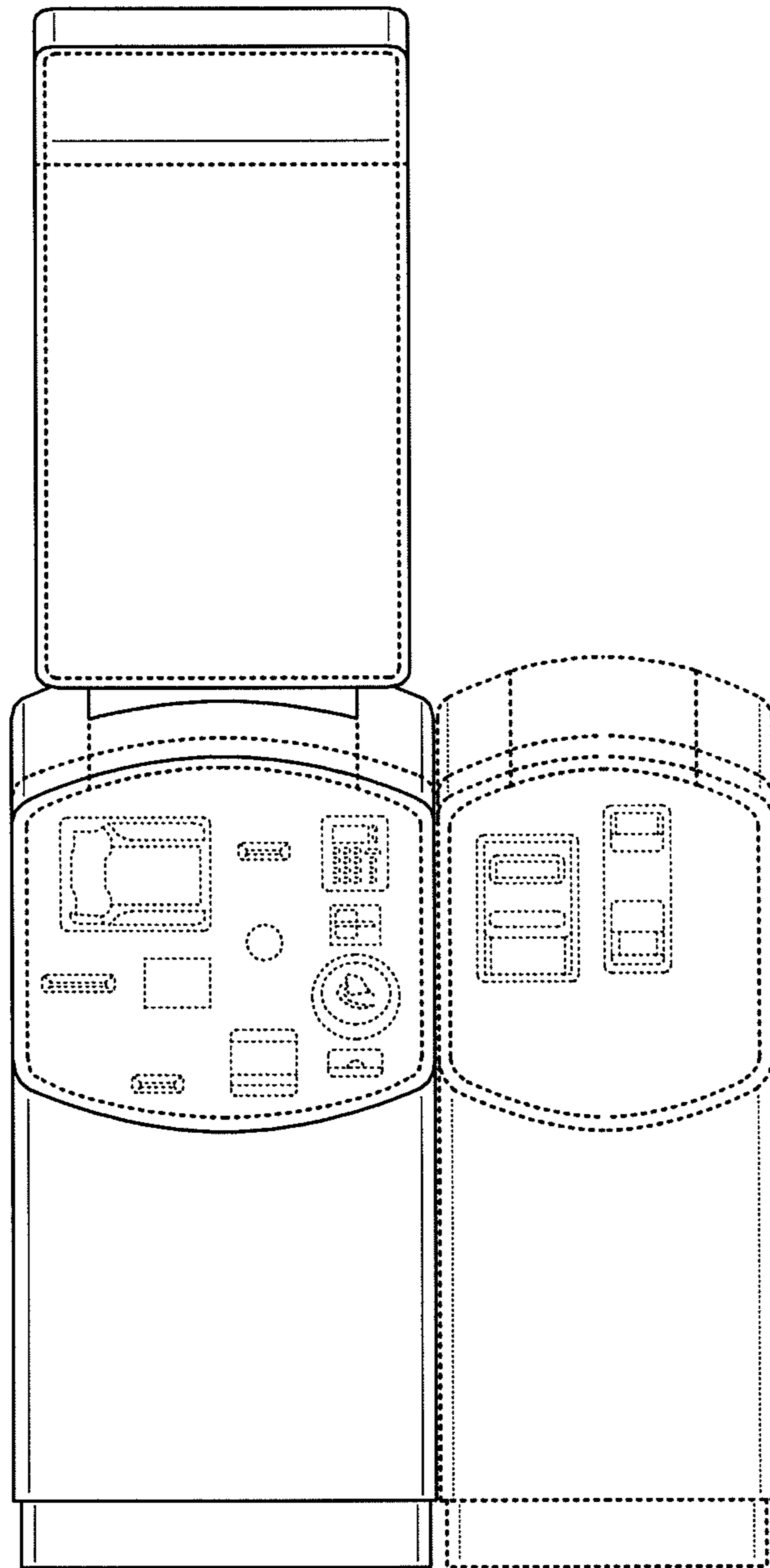


FIG. 2

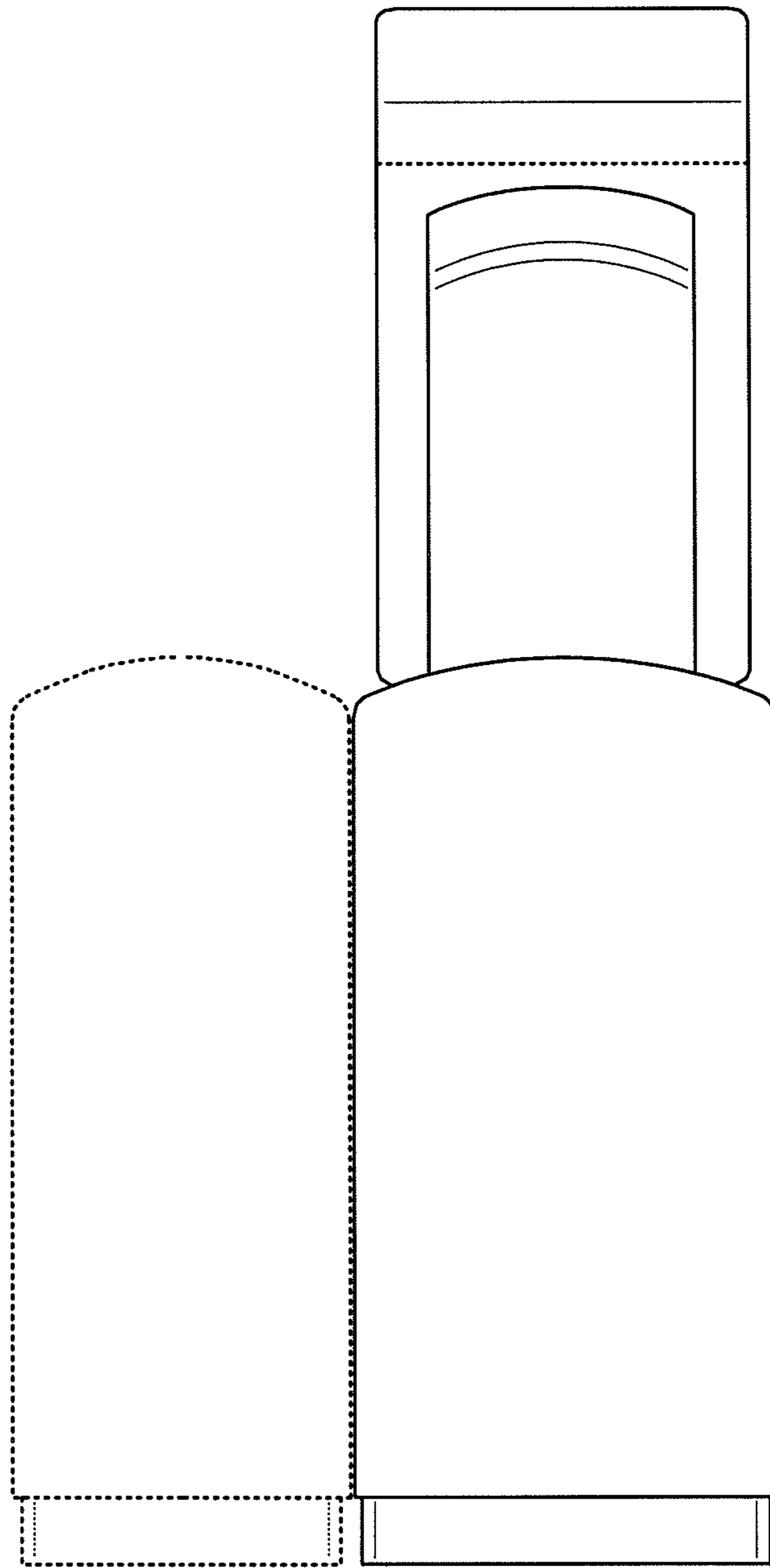


FIG.3

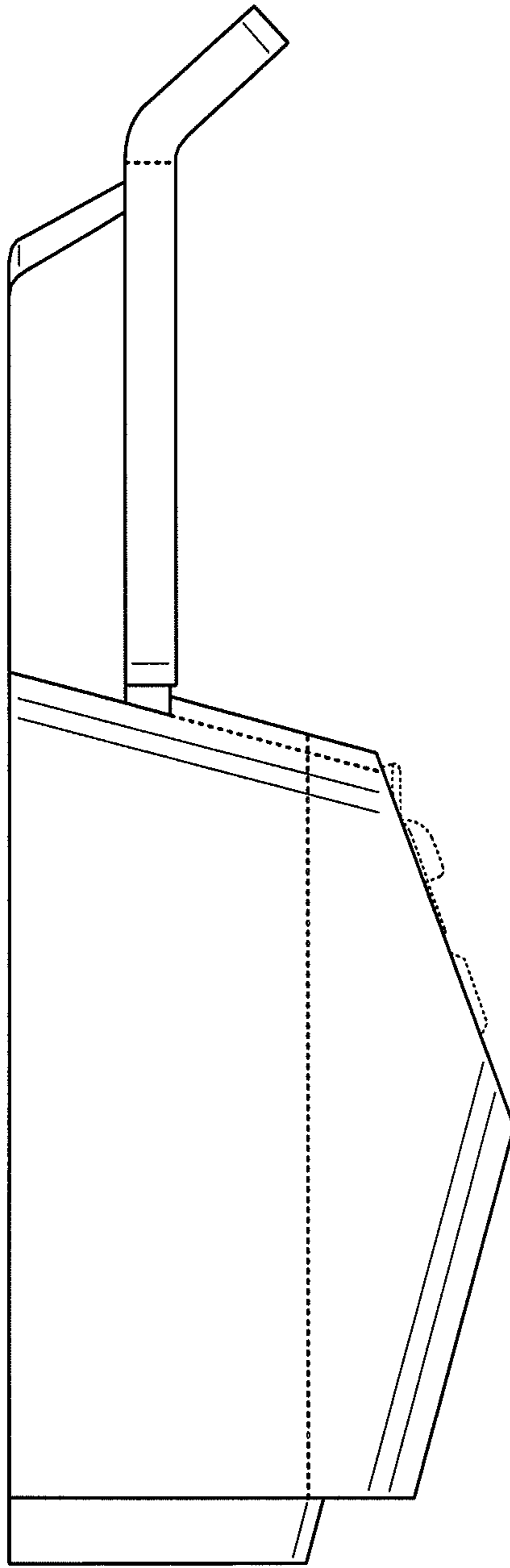


FIG.4

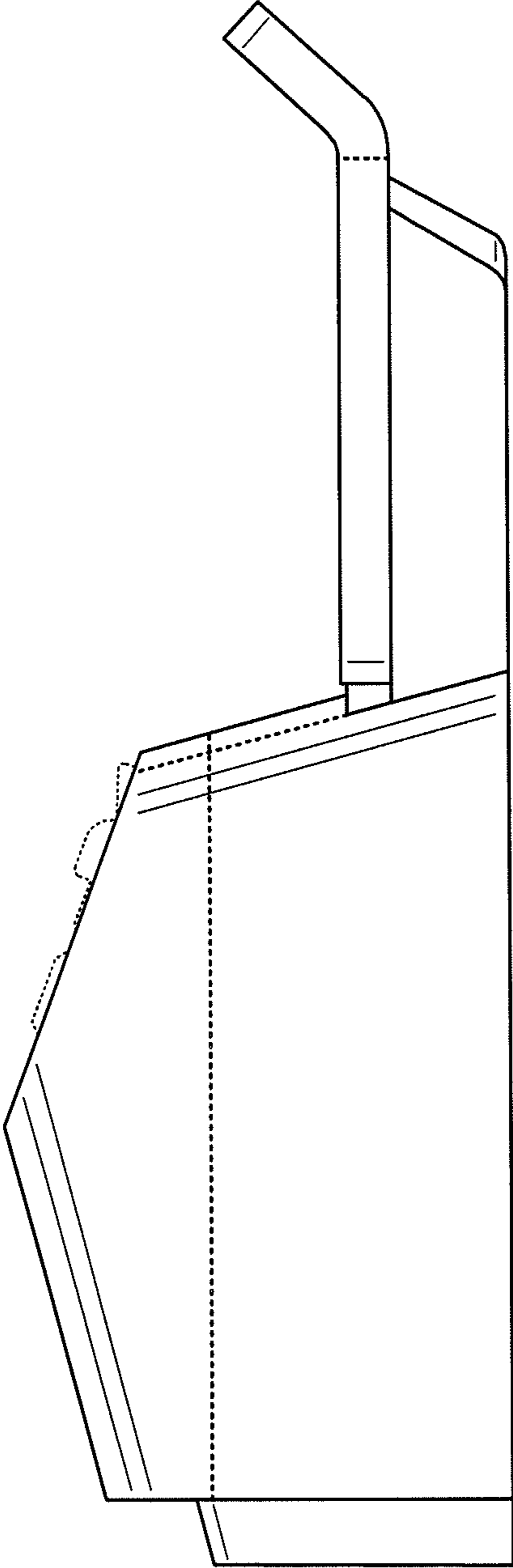


FIG.5

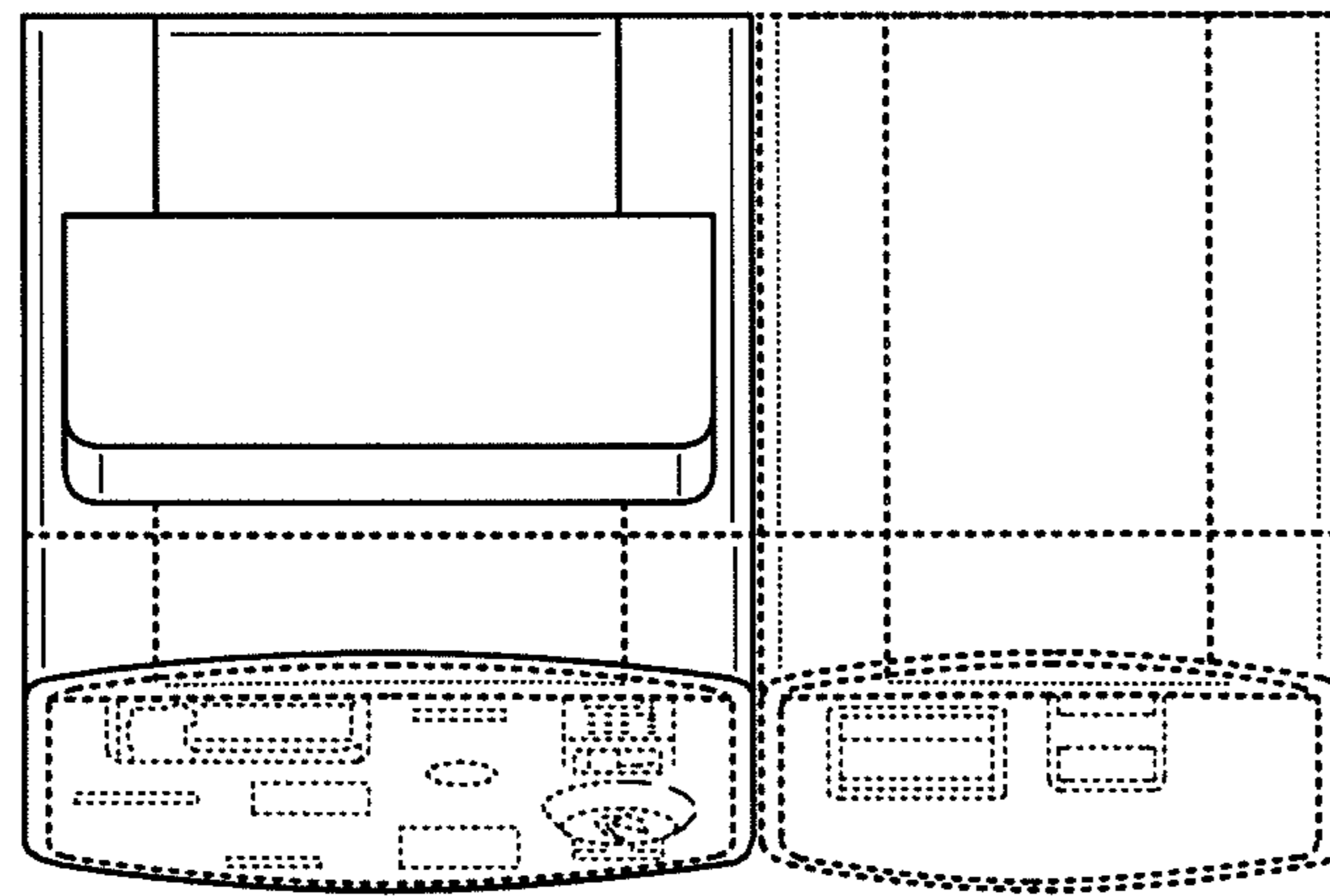


FIG.6

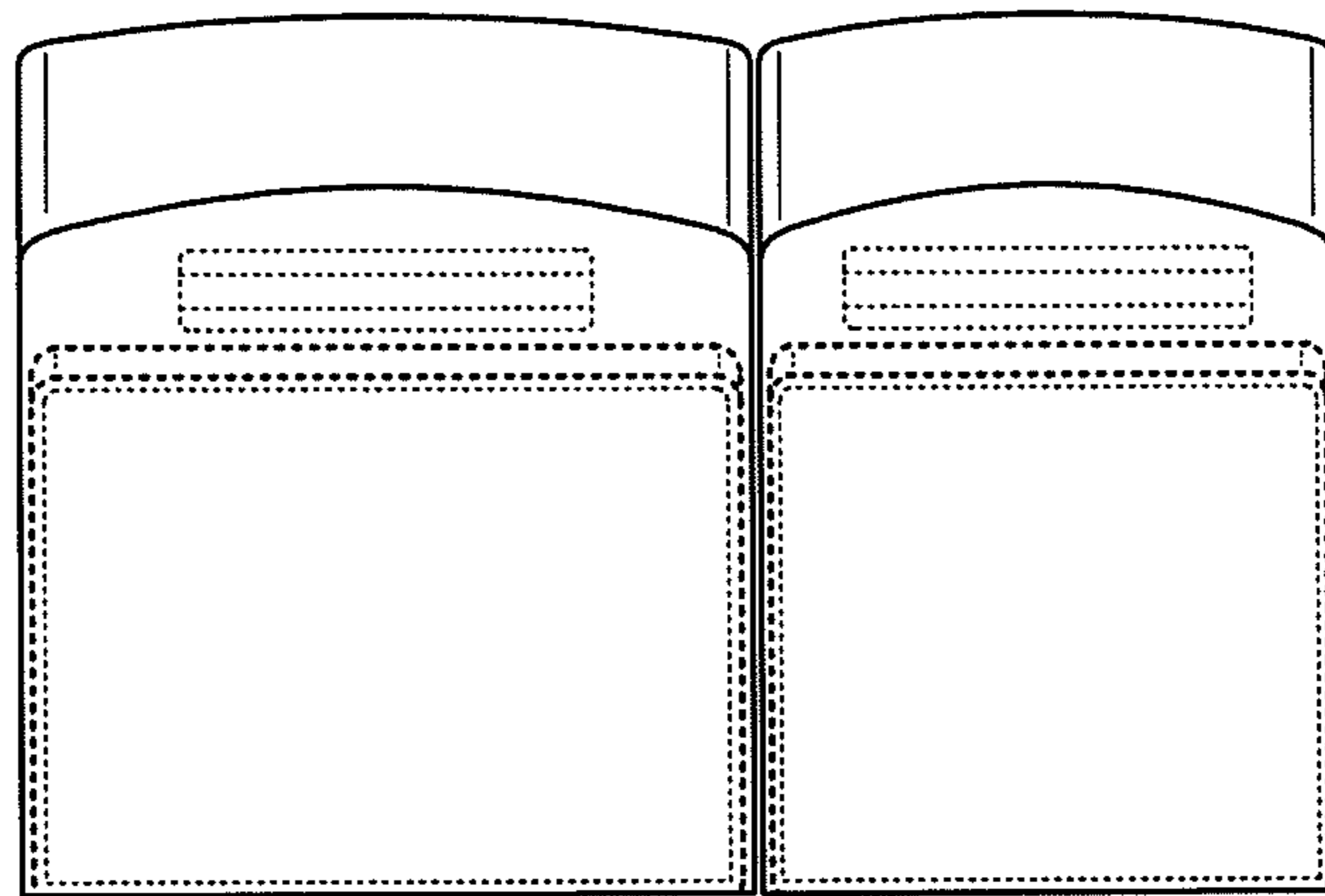


FIG. 7

UNITED STATES PATENT AND TRADEMARK OFFICE
CERTIFICATE OF CORRECTION

PATENT NO. : D702,676 S
APPLICATION NO. : 29/448281
DATED : April 15, 2014
INVENTOR(S) : Gavin Smith et al.

Page 1 of 1

It is certified that error appears in the above-identified patent and that said Letters Patent is hereby corrected as shown below:

On the Title Page

Item (71), delete "Steffan" and insert thereat -- Steffen --.

Item (72), delete "Steffan" and insert thereat -- Steffen --.

Signed and Sealed this
Nineteenth Day of December, 2017



Joseph Matal

*Performing the Functions and Duties of the
Under Secretary of Commerce for Intellectual Property and
Director of the United States Patent and Trademark Office*