



US00D702674S

(12) **United States Design Patent**
Fiore, IV

(10) **Patent No.:** **US D702,674 S**

(45) **Date of Patent:** **** Apr. 15, 2014**

(54) **AUTO STEREO MOUNTING DEVICE**

(71) Applicant: **Anthony Fiore, IV**, Palm Coast, FL
(US)

(72) Inventor: **Anthony Fiore, IV**, Palm Coast, FL
(US)

(73) Assignee: **Metra Electronics Corporation**, Holly Hill, FL (US)

(**) Term: **14 Years**

(21) Appl. No.: **29/433,668**

(22) Filed: **Oct. 3, 2012**

(51) **LOC (10) Cl.** **14-03**

(52) **U.S. Cl.**
USPC **D14/258**

(58) **Field of Classification Search**
USPC D12/192, 195, 415, 420; D14/157, 167,
D14/168, 188, 191-198, 217, 224, 257, 258,
D14/260.1, 445; 248/27.1, 27.3, 558; 360/4;
369/75.11; 455/344, 347, 350, 575.1;
720/658, 691
See application file for complete search history.

(56) **References Cited**

U.S. PATENT DOCUMENTS

D482,023 S * 11/2003 Quilling et al. D14/224
D484,495 S * 12/2003 Quilling et al. D14/224

D492,288 S * 6/2004 Quilling, II D14/224
D555,156 S * 11/2007 Quilling D14/258
D638,832 S * 5/2011 Quilling et al. D14/258
D639,288 S * 6/2011 Fiore et al. D14/258
D639,290 S * 6/2011 Fiore et al. D14/258
D639,795 S * 6/2011 Quilling et al. D14/258
D639,797 S * 6/2011 Fiore et al. D14/258
D640,684 S * 6/2011 Fiore et al. D14/258

* cited by examiner

Primary Examiner — Thomas Johannes

Assistant Examiner — Janice Lim

(74) *Attorney, Agent, or Firm* — J. Wiley Horton

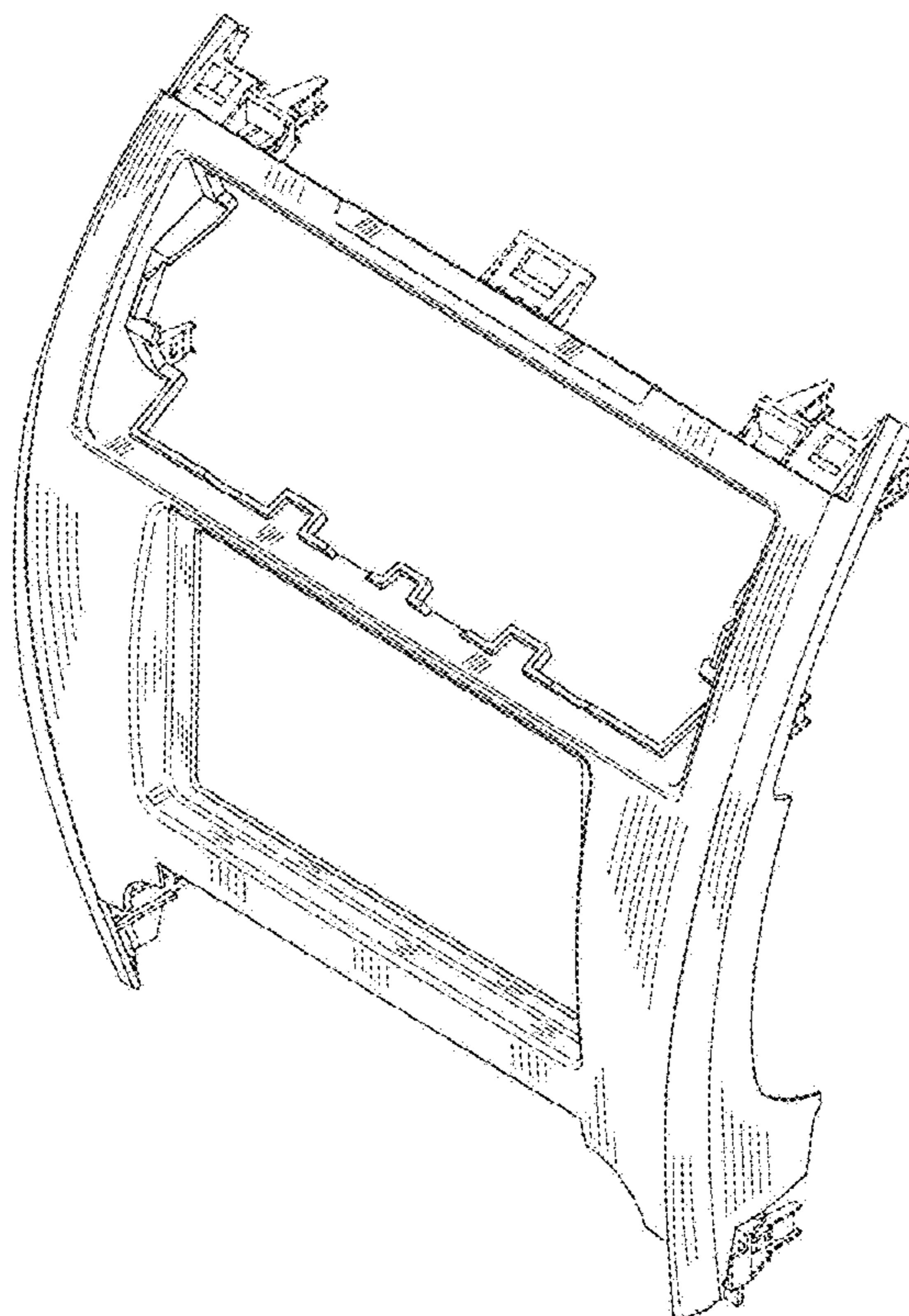
(57) **CLAIM**

The ornamental design for an “auto stereo mounting device,” as shown and described.

DESCRIPTION

FIG. 1 is a perspective view of an auto stereo mounting device, showing my design;
FIG. 2 is a front elevation view of FIG. 1;
FIG. 3 is a rear elevation view of FIG. 1;
FIG. 4 is a right side elevation view of FIG. 1;
FIG. 5 is a left side elevation view of FIG. 1;
FIG. 6 is a top plan view of FIG. 1; and,
FIG. 7 is a bottom plan view of FIG. 1.
The broken lines shown in all views illustrate mounting features which form no part of the claimed design.

1 Claim, 7 Drawing Sheets



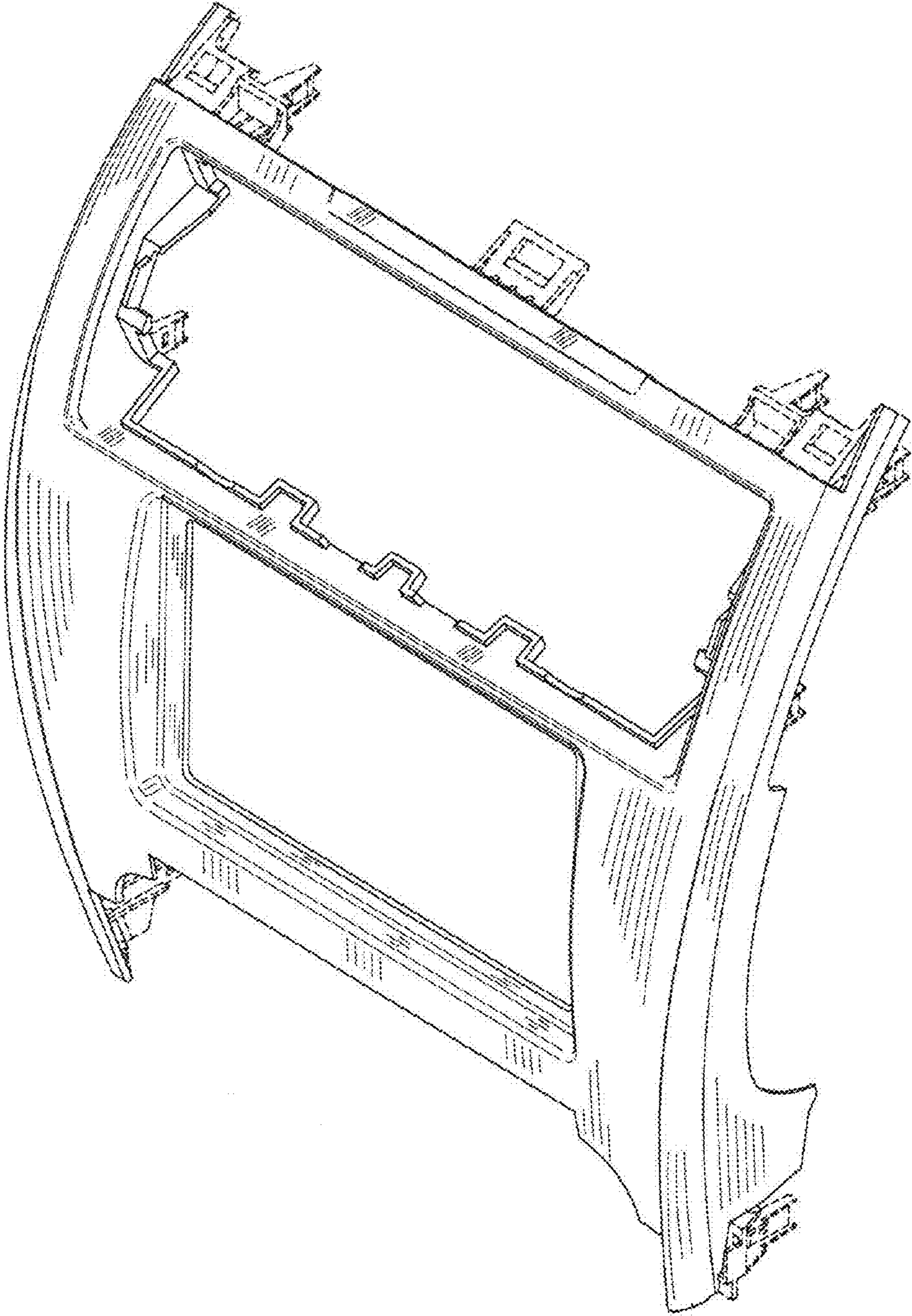


FIG. 1

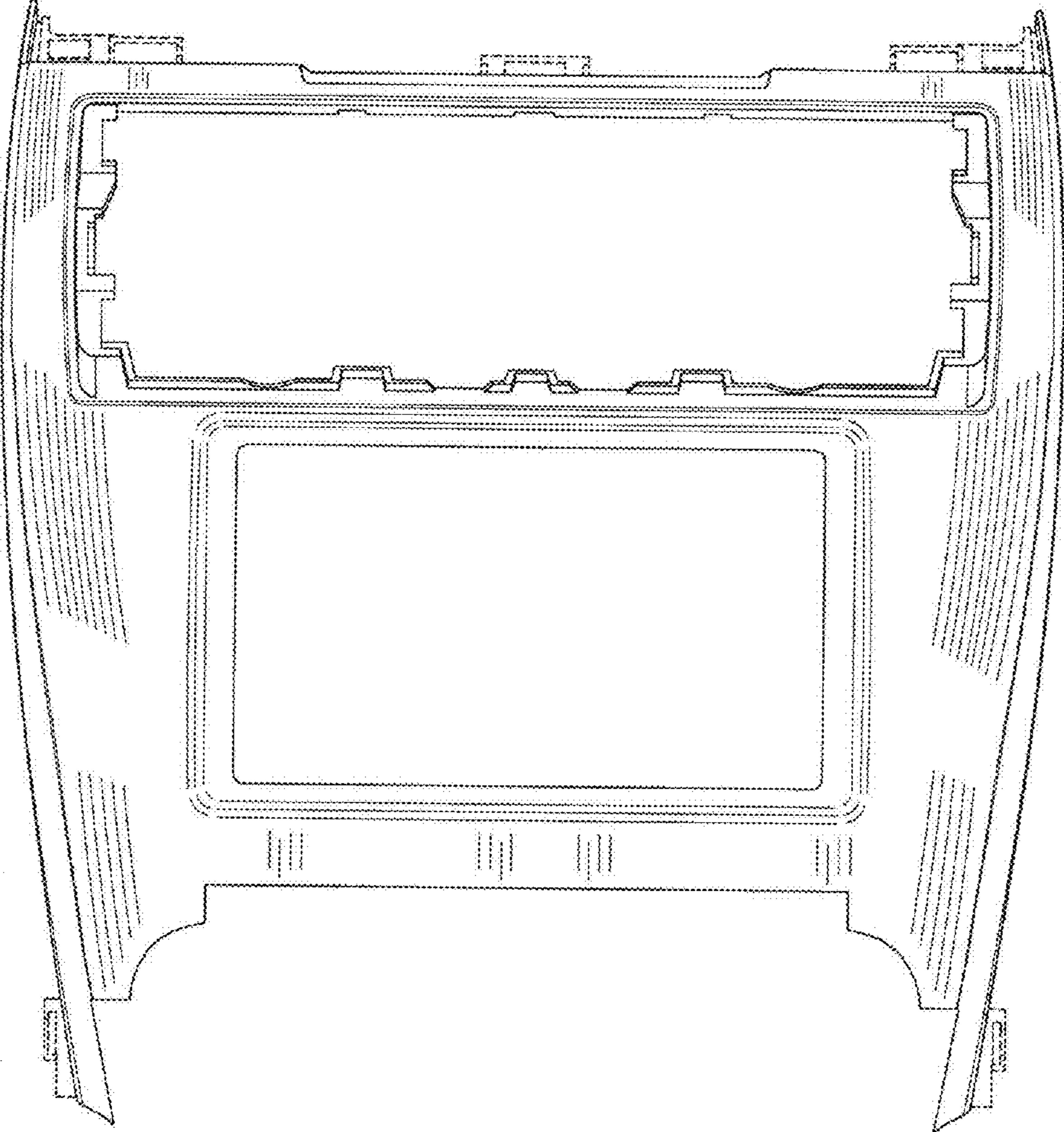


FIG.2

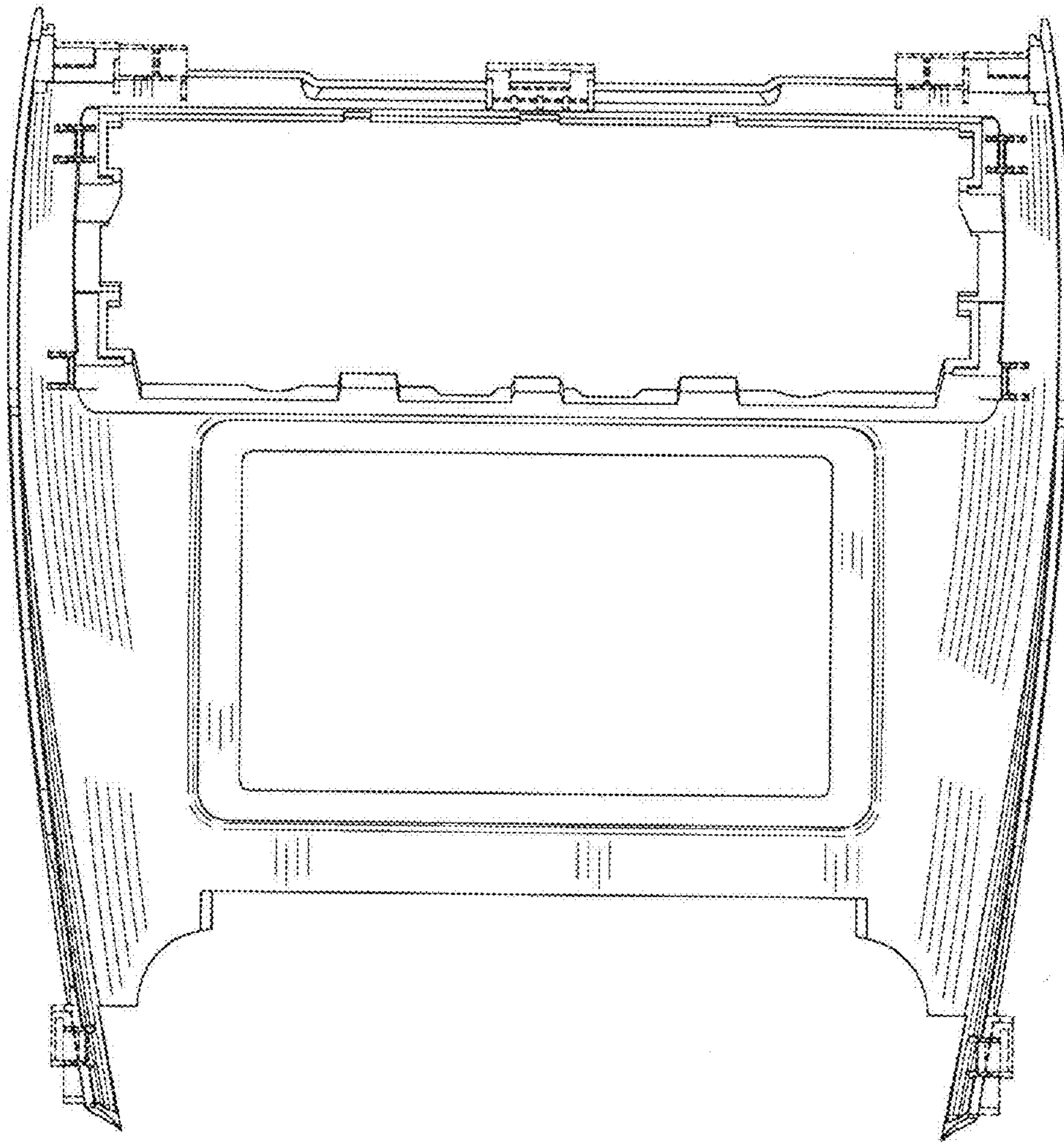


FIG.3

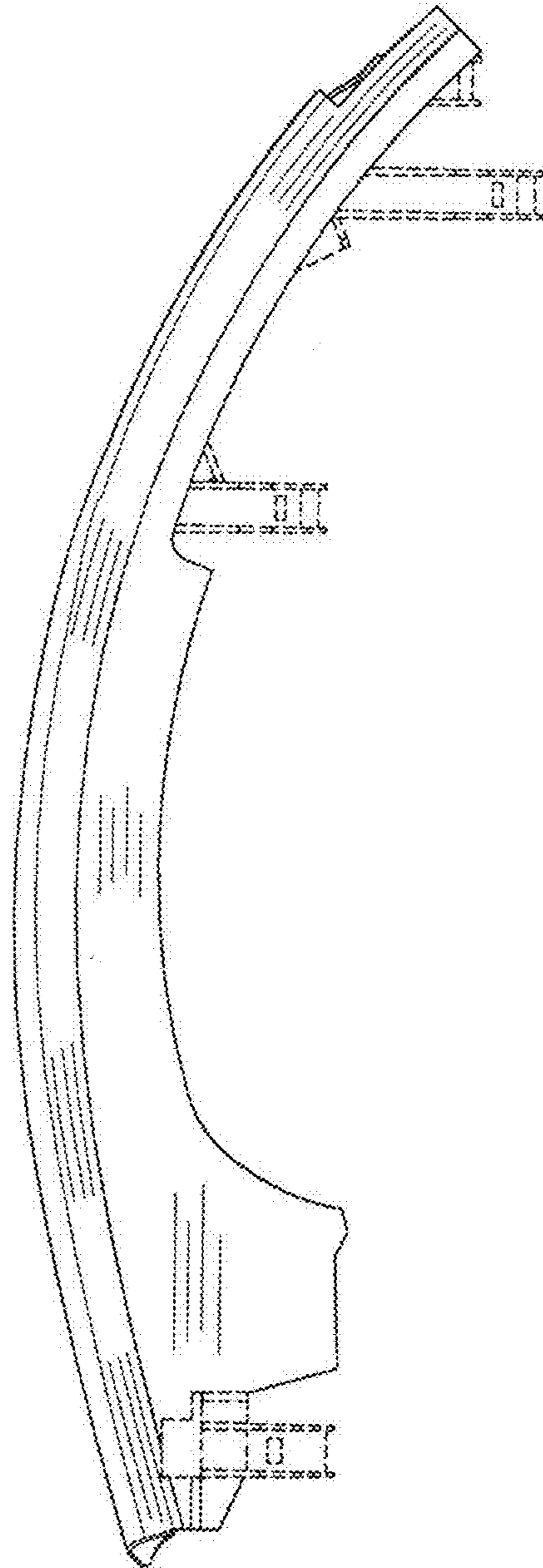


FIG.4

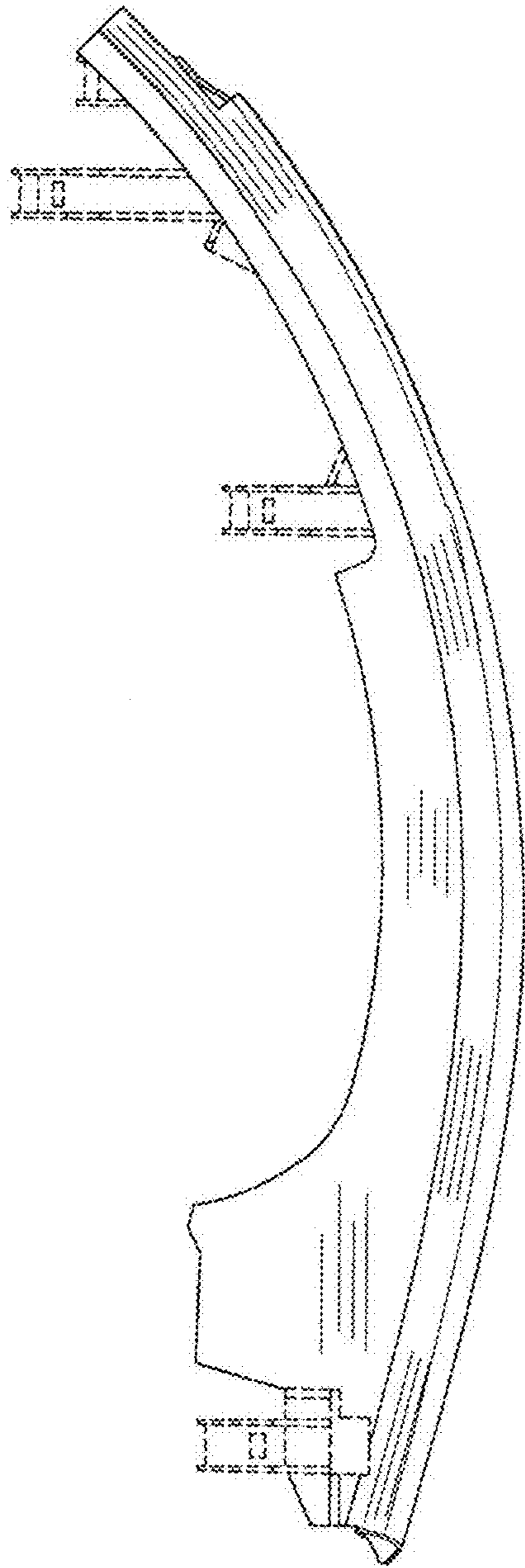


FIG. 5

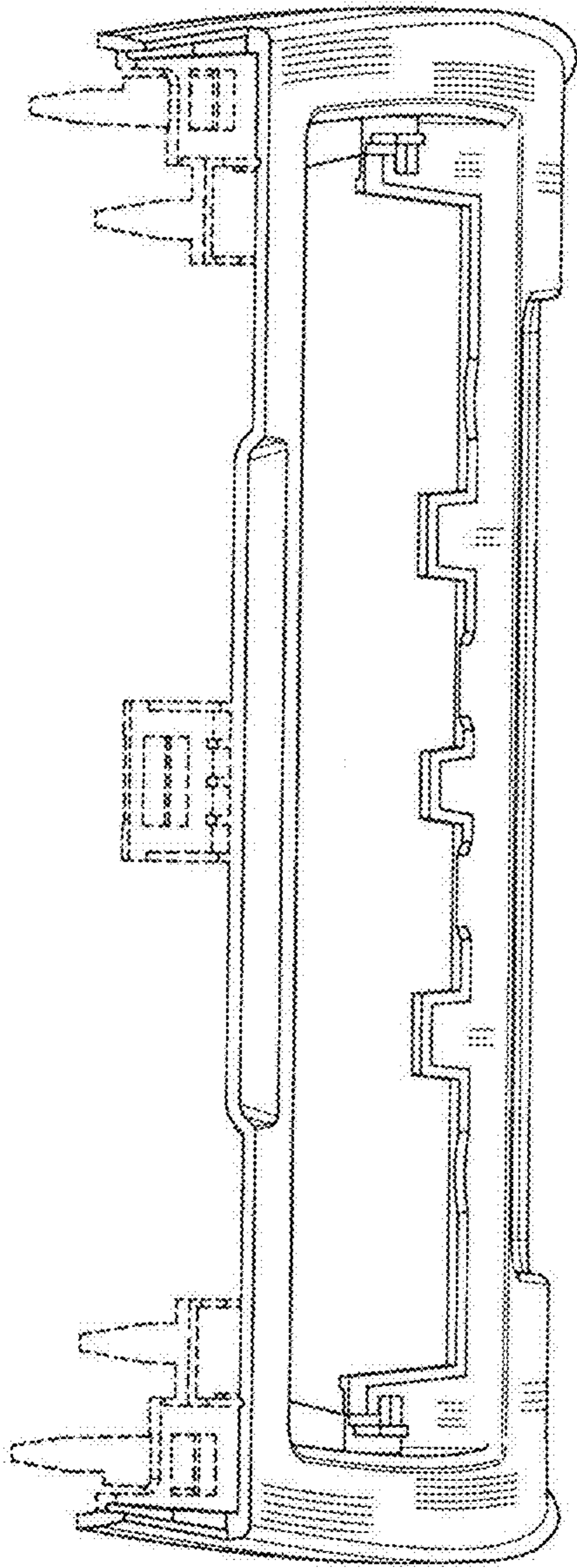


FIG. 6

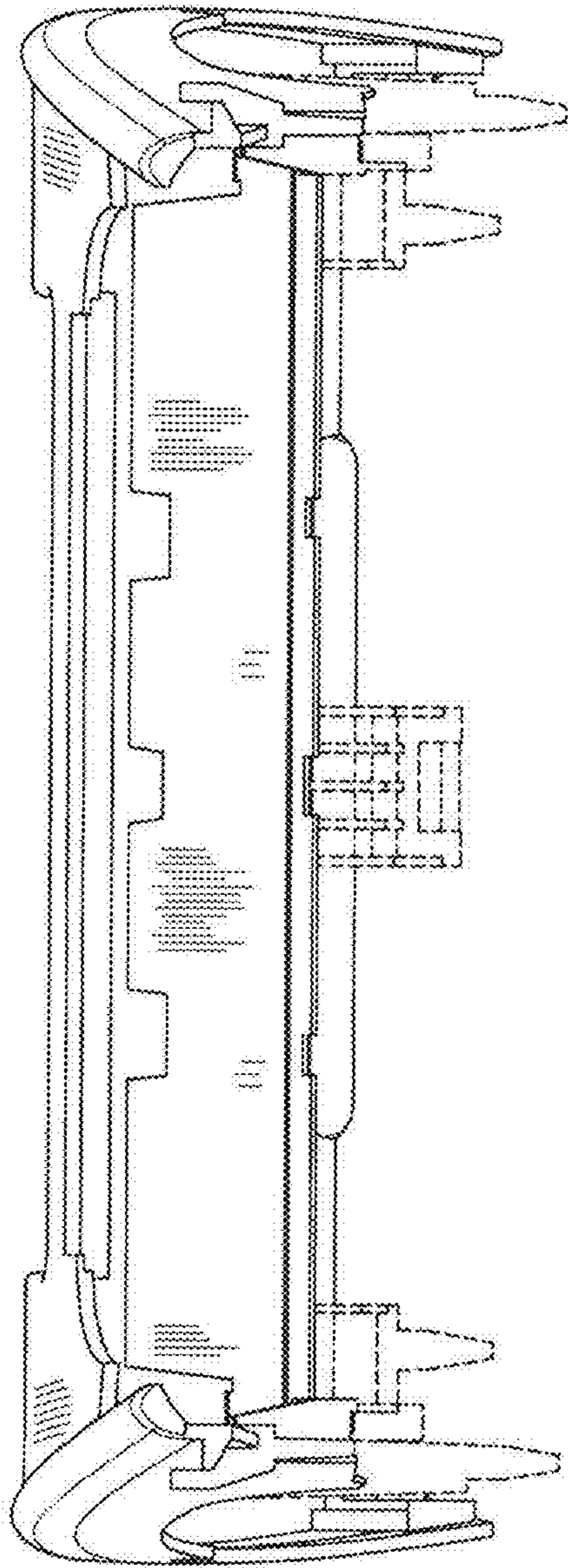


FIG. 7