



US00D702673S

(12) **United States Design Patent**  
**Murchison et al.**

(10) **Patent No.:** **US D702,673 S**  
(45) **Date of Patent:** **\*\* Apr. 15, 2014**

(54) **ELECTRONIC DEVICE CASE**

(56) **References Cited**

(71) Applicant: **Research in Motion Limited**, Waterloo (CA)

U.S. PATENT DOCUMENTS

(72) Inventors: **Ian James Murchison**, Ottawa (CA);  
**Anders Fahrenedorff**, Ottawa (CA);  
**Rohan Siddhartha Thakar**, Ottawa (CA); **Caitlin Curran-Blaney**, Toronto (CA); **Alison Phillips**, Toronto (CA)

D414,033	S	*	9/1999	Rohm	.....	D3/249
6,599,657	B1	*	7/2003	Pollett et al.	.....	429/96
D551,846	S	*	10/2007	Ko et al.	.....	D3/201
D582,405	S	*	12/2008	Andre et al.	.....	D3/299
D621,396	S	*	8/2010	Lee et al.	.....	D14/252
D624,304	S	*	9/2010	Danze et al.	.....	D3/201
D628,374	S	*	12/2010	Lee et al.	.....	D3/201
D641,348	S	*	7/2011	Kim et al.	.....	D14/250
8,046,039	B2	*	10/2011	Lee et al.	.....	455/575.8
D649,539	S	*	11/2011	Hong	.....	D14/250
D652,829	S	*	1/2012	Kim et al.	.....	D14/250

(73) Assignee: **BlackBerry Limited**, Waterloo, Ontario (CA)

(Continued)

(\*\*) Term: **14 Years**

OTHER PUBLICATIONS

(21) Appl. No.: **29/445,478**

BlackBerry Z10 Flip Shell Case Review, posted Mar. 17, 2013 , <URL:http://rapidberry.net/accessory/blackberry-z10-flip-shell-case-review/>, retrieved from internet on Jun. 14, 2013.\*

(22) Filed: **Feb. 12, 2013**

(Continued)

**Related U.S. Application Data**

*Primary Examiner* — Carla Jobe Wright

(63) Continuation of application No. 29/430,858, filed on Aug. 30, 2012.

(57) **CLAIM**

The ornamental design for an electronic device case, as shown and described.

(51) **LOC (10) Cl.** ..... **14-03**

**DESCRIPTION**

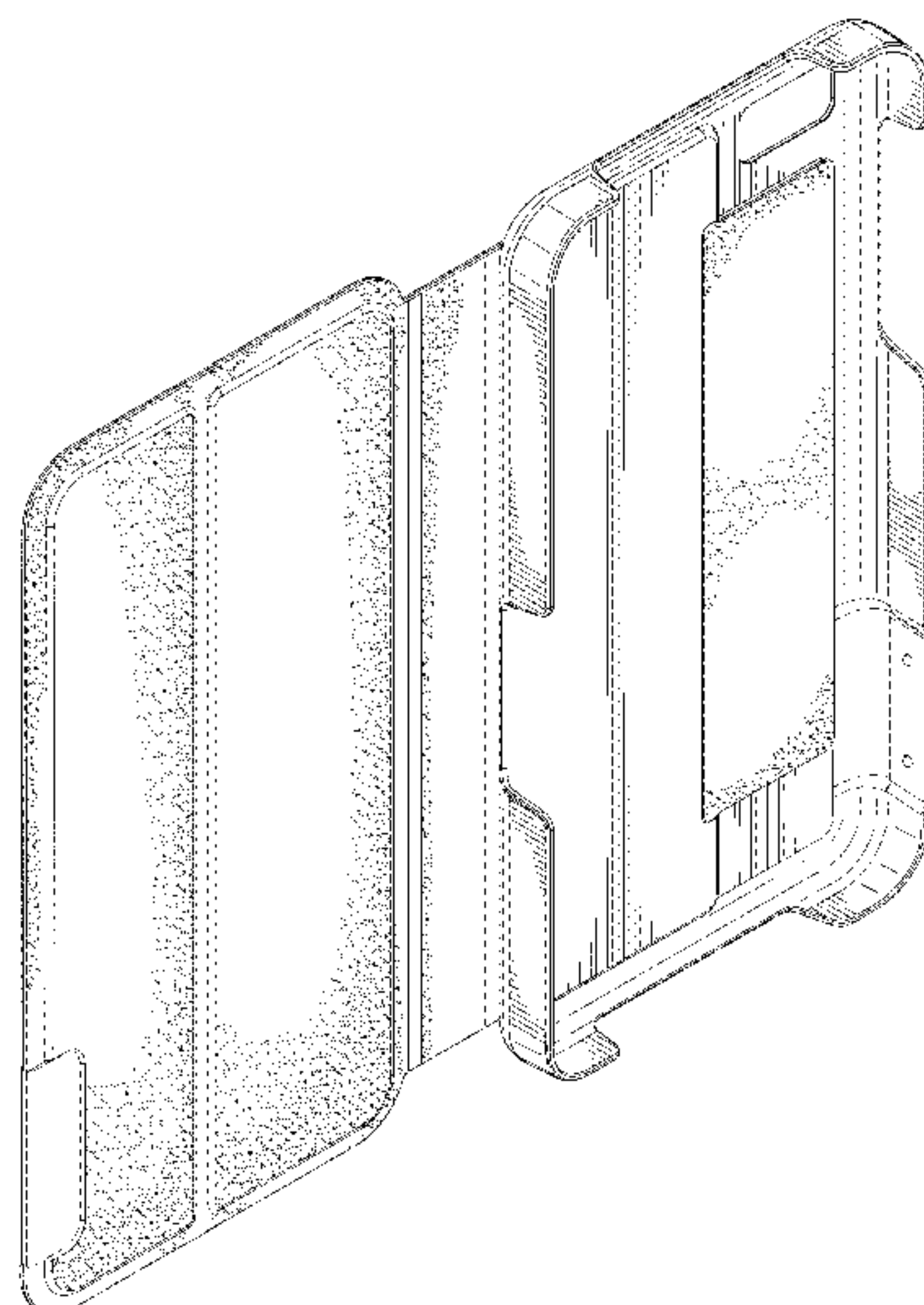
(52) **U.S. Cl.**  
USPC ..... **D14/250**

(58) **Field of Classification Search**  
USPC ..... D14/250–253, 440, 203.3–203.7, 217, D14/496, 248, 238.1, 240, 447, 341–347, D14/444; D13/103, 107–108, 119; D3/201, D3/218, 247, 269, 273, 301, 303; 248/309.1, 371, 176.3, 668; 361/679.56, 679.3, 679.25, 816; 379/426, 433.11, 455; 455/575.1, 455/575.8; 206/305, 320; 320/108, 115; 429/96; 220/4.02; 150/165

FIG. 1 shows a perspective view of the electronic device case; FIG. 2 is a second view thereof; FIG. 3 is a third view thereof; FIG. 4 is a fourth view thereof showing one side; FIG. 5 is fifth view thereof showing a second side that is opposite to the side of FIG. 4; FIG. 6 is a sixth view thereof showing a third side; and, FIG. 7 is a seventh view thereof showing a fourth side that is opposite to the side of FIG. 6. Features shown in broken lines illustrate environment and form no part of the claimed design. The stippling and linear shading show contrast between surfaces.

See application file for complete search history.

**1 Claim, 5 Drawing Sheets**



(56)

**References Cited**

U.S. PATENT DOCUMENTS

D657,354 S \* 4/2012 Kim ..... D14/250  
D668,247 S \* 10/2012 Kim et al. .... D14/253  
D674,800 S \* 1/2013 Kim ..... D14/440  
D678,260 S \* 3/2013 Bau ..... D14/250  
D679,694 S \* 4/2013 Fahrendorff et al. .... D14/250  
D682,817 S \* 5/2013 Murchison et al. .... D14/250  
D682,837 S \* 5/2013 Lee et al. .... D14/440  
2011/0290687 A1\* 12/2011 Han ..... 206/320

2012/0043234 A1\* 2/2012 Westrup ..... 206/320  
2012/0178507 A1\* 7/2012 Lee ..... 455/575.1  
2013/0015088 A1\* 1/2013 Wu ..... 206/320

OTHER PUBLICATIONS

Review of Transformer Case For BlackBerry Z10, posted on the Apr. 22, 2013 , <URL:<http://en.paperblog.com/transformer-case-for-blackberry-z10-505385/>>, retrieved from interent on Jun. 14, 2013.\*

\* cited by examiner

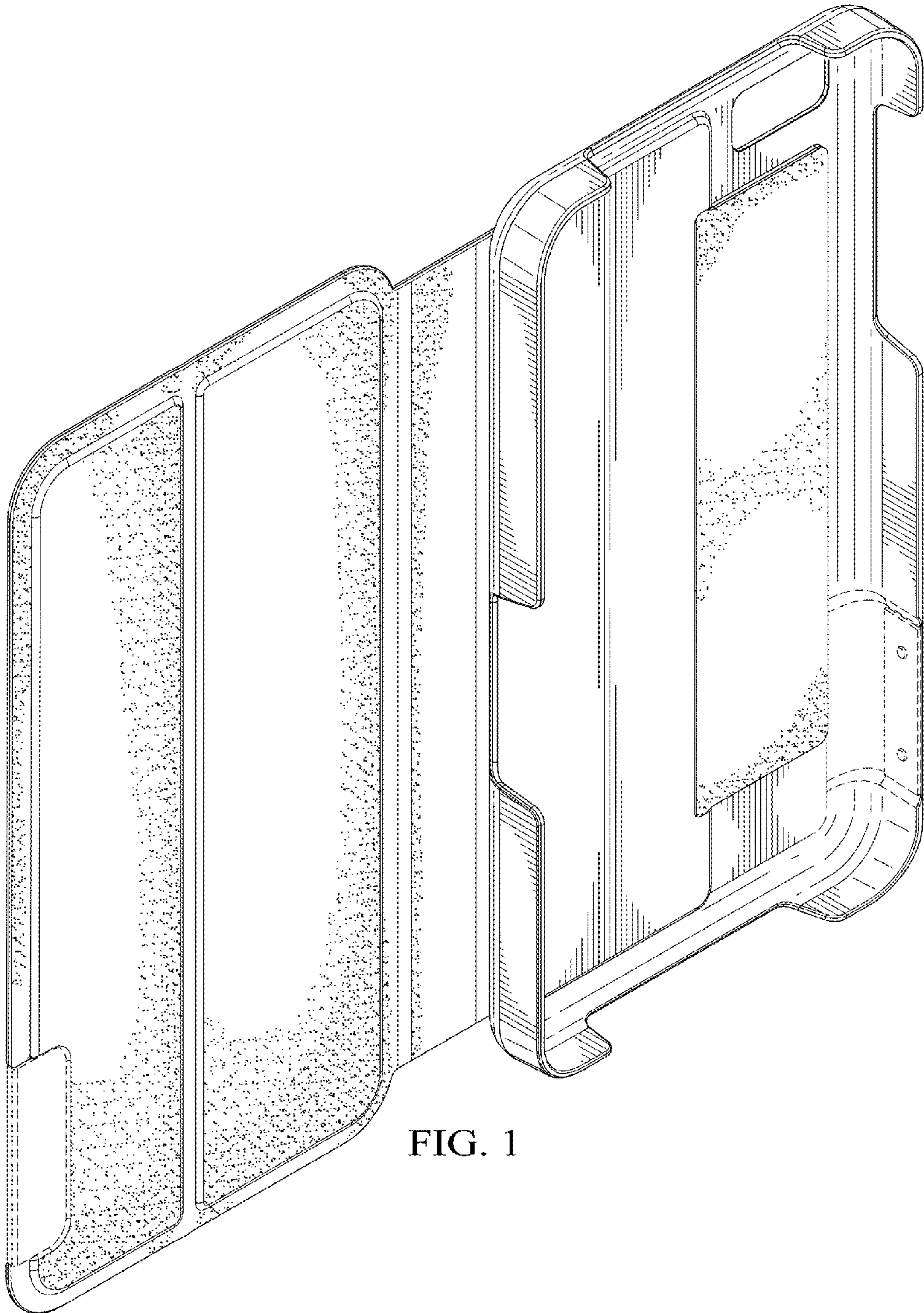


FIG. 1



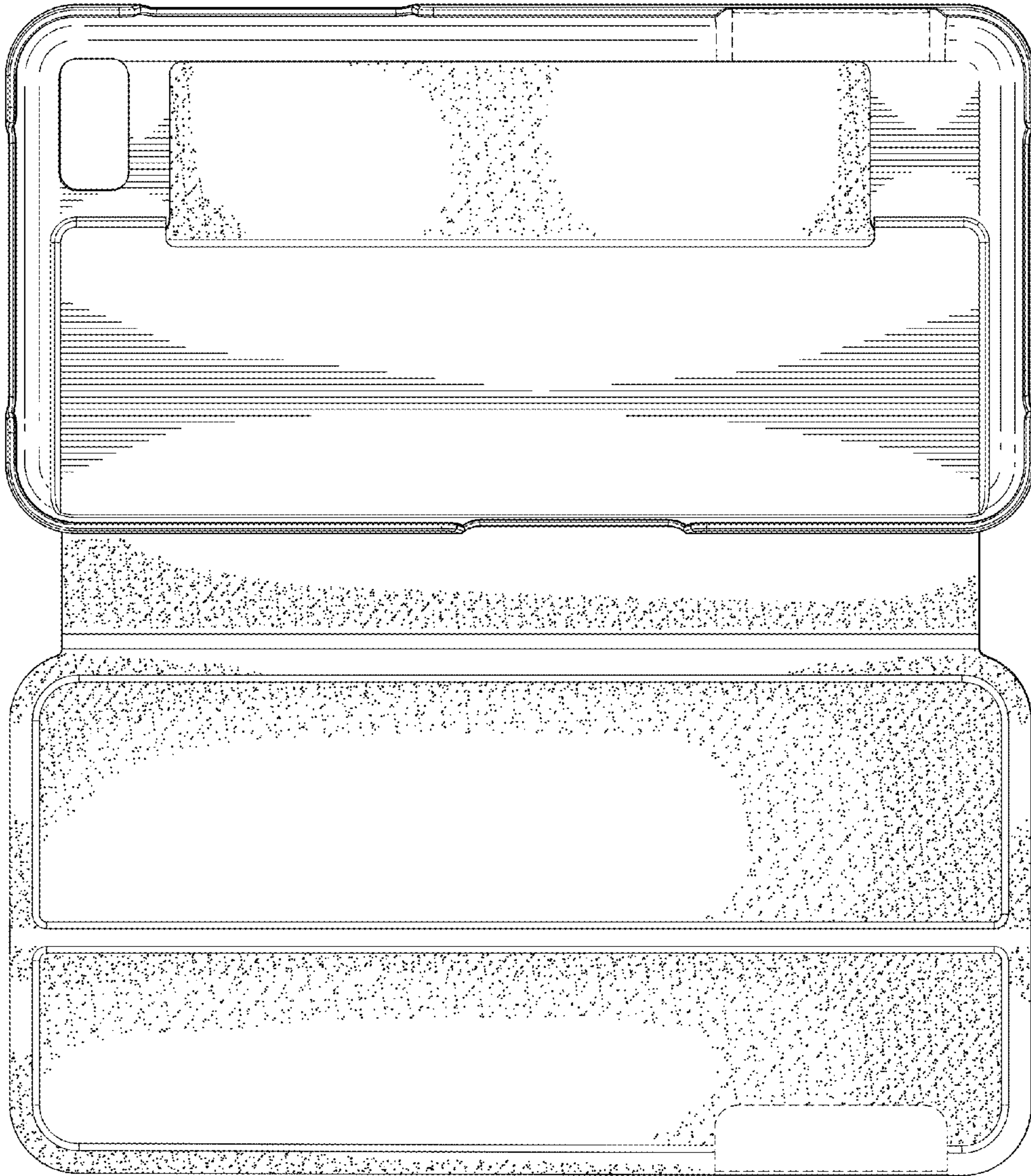


FIG. 2

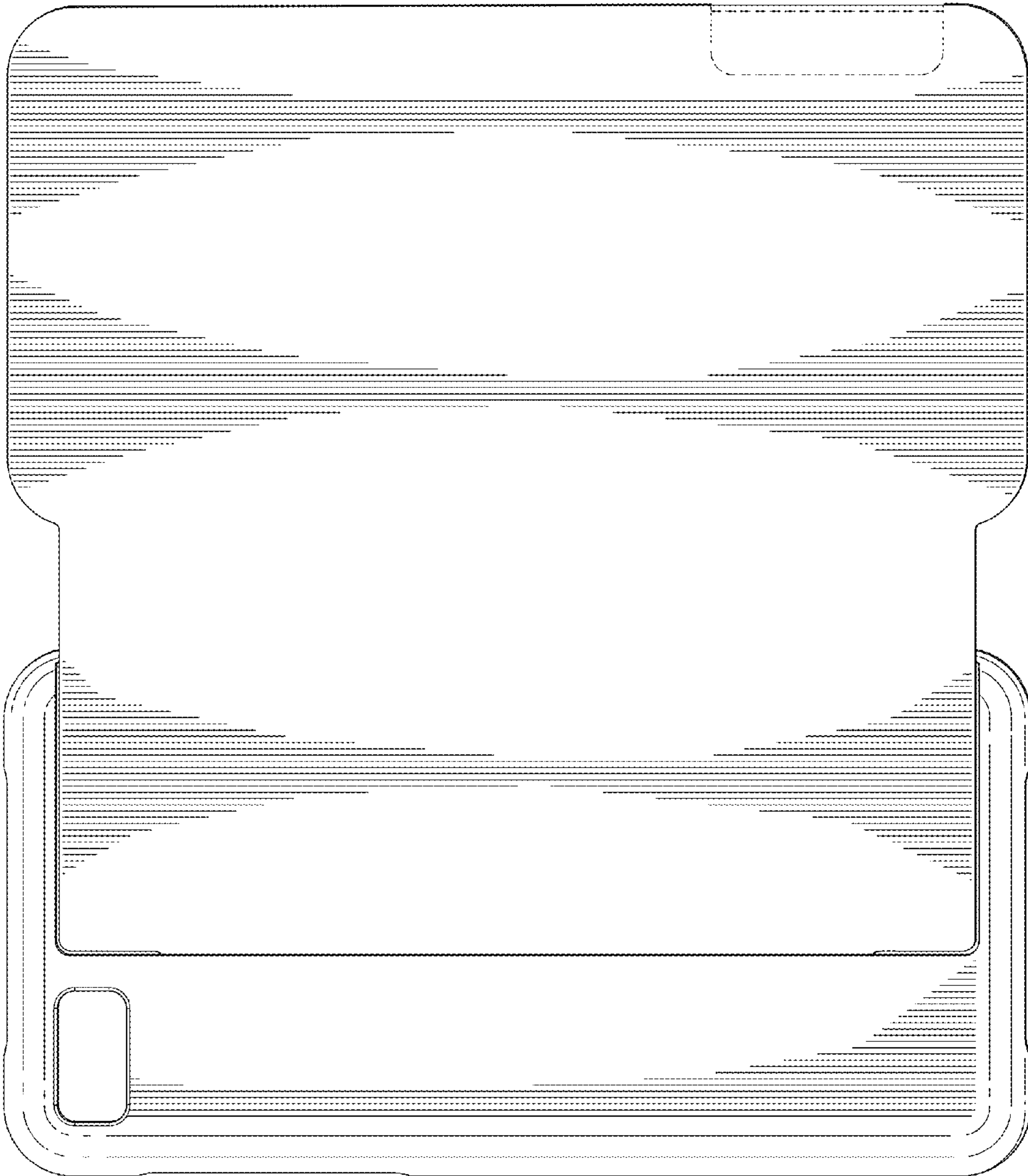


FIG. 3

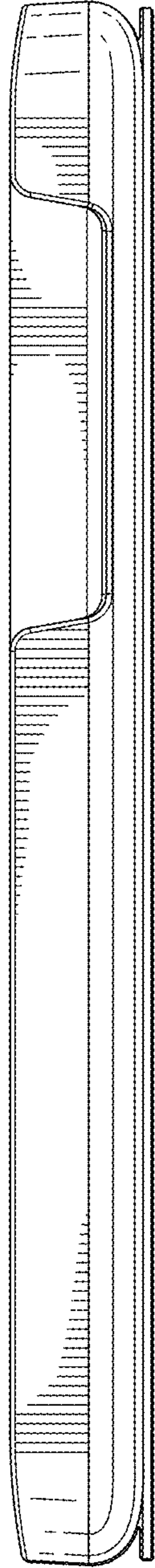


FIG. 4

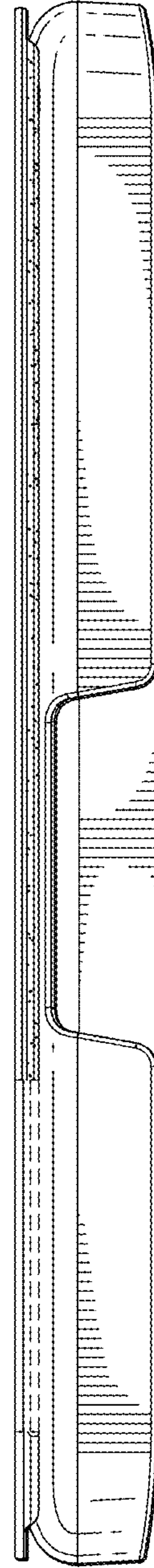


FIG. 5

FIG. 6



FIG. 7

