



US00D702669S

(12) **United States Design Patent**
Gondo

(10) **Patent No.:** **US D702,669 S**
(45) **Date of Patent:** **** Apr. 15, 2014**

(54) **PORTION OF EARPHONE**

(71) Applicant: **JVC Kenwood Corporation**, Yokohama (JP)

(72) Inventor: **Makoto Gondo**, Yokohama (JP)

(73) Assignee: **JVC Kenwood Corporation**, Yokohama-Shi, Kanagawa (JP)

(**) Term: **14 Years**

(21) Appl. No.: **29/455,675**

(22) Filed: **May 23, 2013**

(30) **Foreign Application Priority Data**

Mar. 19, 2013 (JP) 2013-006046

(51) **LOC (10) Cl.** **14-01**

(52) **U.S. Cl.**
CPC **H04R 1/10** (2013.01)
USPC **D14/223**

(58) **Field of Classification Search**
CPC H04R 1/10
USPC D14/223, 205; 181/129, 130, 135;
379/430, 431, 420.02, 420.04, 428.01;
381/380, 381; 455/90.3, 575.1
See application file for complete search history.

(56) **References Cited**

U.S. PATENT DOCUMENTS

D331,061 S * 11/1992 Hyohgo D14/223
D331,062 S * 11/1992 Kanno D14/223
D337,118 S * 7/1993 Seikita D14/223
D337,589 S * 7/1993 Wada D14/223
D340,932 S * 11/1993 Yan D14/249
D353,379 S * 12/1994 Nakamura et al. D14/223
D431,553 S * 10/2000 Suzuki D14/223
D463,789 S * 10/2002 DeKalb et al. D14/223
6,574,345 B1 * 6/2003 Huang 381/380

D485,548 S * 1/2004 Obata D14/223
D487,077 S * 2/2004 Obata D14/223
D519,107 S * 4/2006 Yang D14/223
D533,868 S * 12/2006 Koizumi D14/223
D557,689 S * 12/2007 Huang D14/223
D564,495 S * 3/2008 Sasaki D14/205
D591,722 S * 5/2009 Densho D14/205
D593,537 S * 6/2009 Arimoto D14/205
D602,905 S * 10/2009 Morisawa D14/205
D605,182 S * 12/2009 Fagnot D14/223
D621,389 S * 8/2010 Nagayama et al. D14/223
D623,630 S * 9/2010 Ohori et al. D14/223
D626,117 S * 10/2010 Lowry D14/223
D648,708 S * 11/2011 Katsuraku et al. D14/223
D653,235 S * 1/2012 McManigal D14/205
D657,779 S * 4/2012 Gondo D14/223
D662,493 S * 6/2012 Chen D14/223
D663,291 S * 7/2012 Gondo D14/223

(Continued)

Primary Examiner — Paula Greene

(74) *Attorney, Agent, or Firm* — Nath, Goldberg & Meyer; Jerald L. Meyer

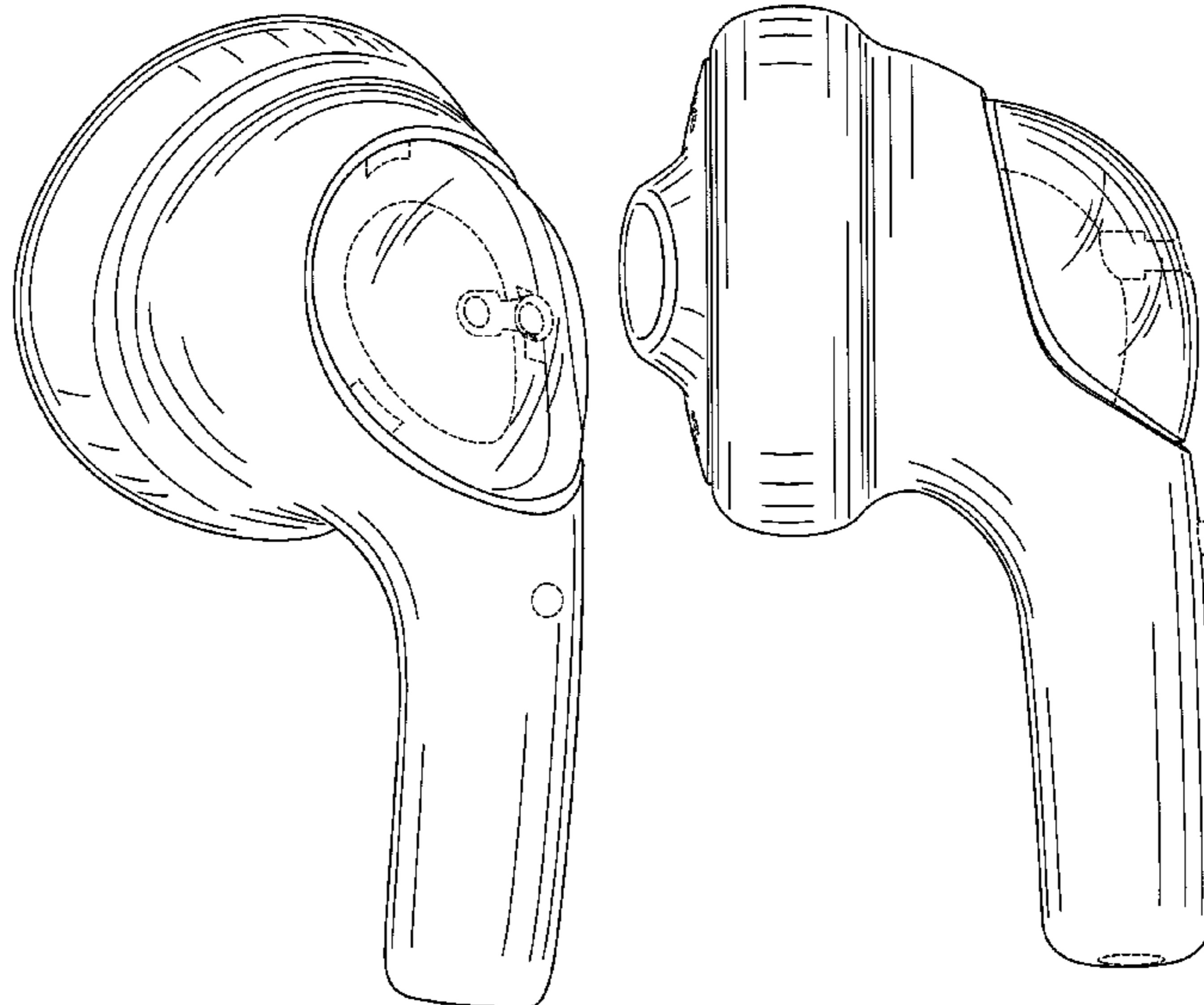
(57) **CLAIM**

The ornamental design for a portion of earphone, as shown and described.

DESCRIPTION

FIG. 1 is a front perspective view of a portion of earphone showing my new design;
FIG. 2 is a rear perspective view thereof;
FIG. 3 is a front view thereof;
FIG. 4 is a rear view thereof;
FIG. 5 is a left side view thereof;
FIG. 6 is a right side view thereof;
FIG. 7 is a top plan view thereof; and,
FIG. 8 is a bottom plan view thereof.
The broken lines shown are included for the purpose of illustrating the unclaimed portions of the article and form no part of the claim.

1 Claim, 7 Drawing Sheets



(56)

References Cited

U.S. PATENT DOCUMENTS

D669,453 S	*	10/2012	Katsuraku et al.	D14/223	
D674,781 S	*	1/2013	Sakata	D14/223	* cited by examiner
D681,015 S	*	4/2013	Akana et al.	D14/223	
2012/0237074 A1	*	9/2012	Aase	381/380	
2013/0343595 A1	*	12/2013	Zorkendorfer et al.	381/380	

Fig.1

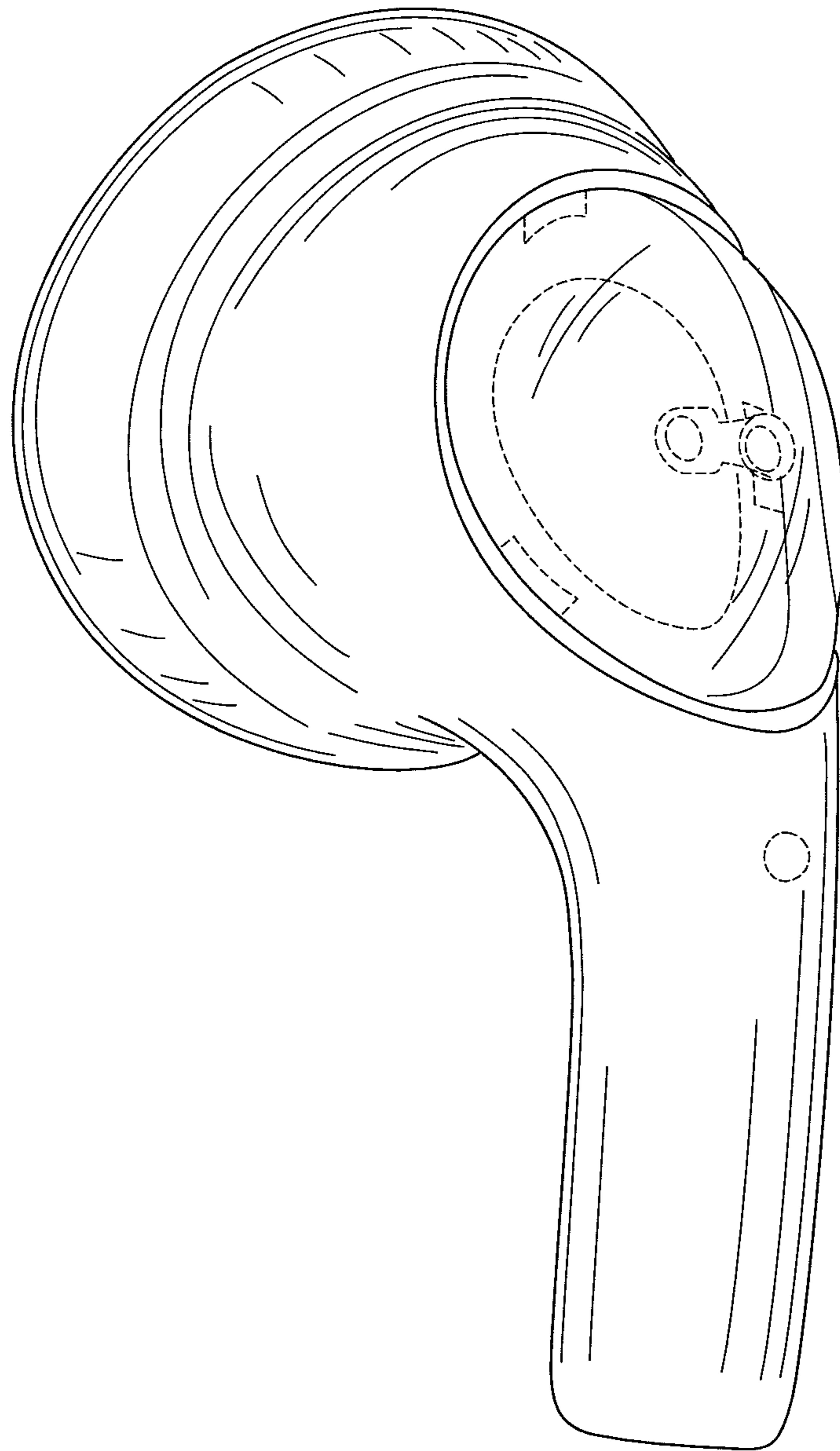


Fig.2

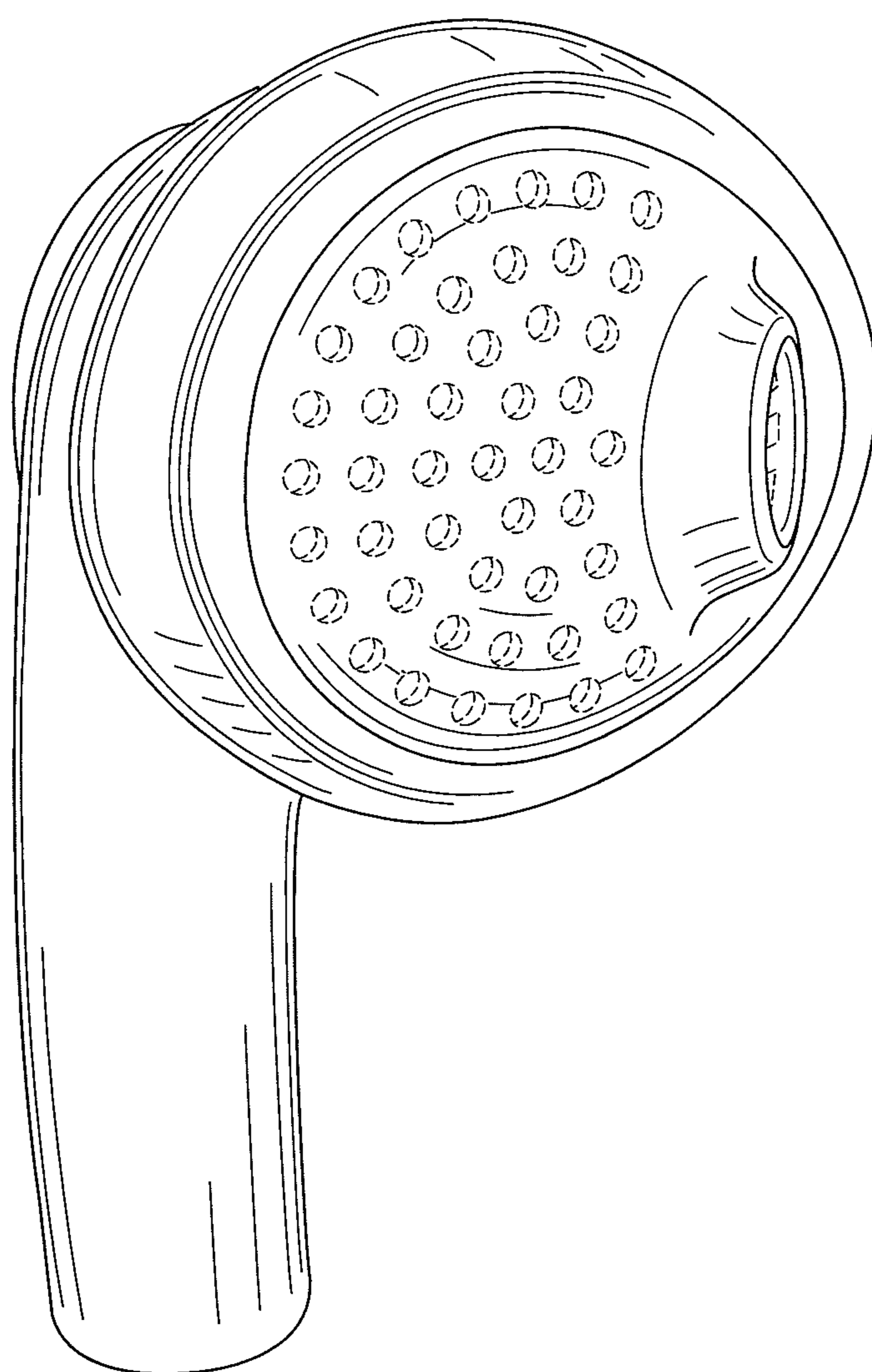


Fig.3

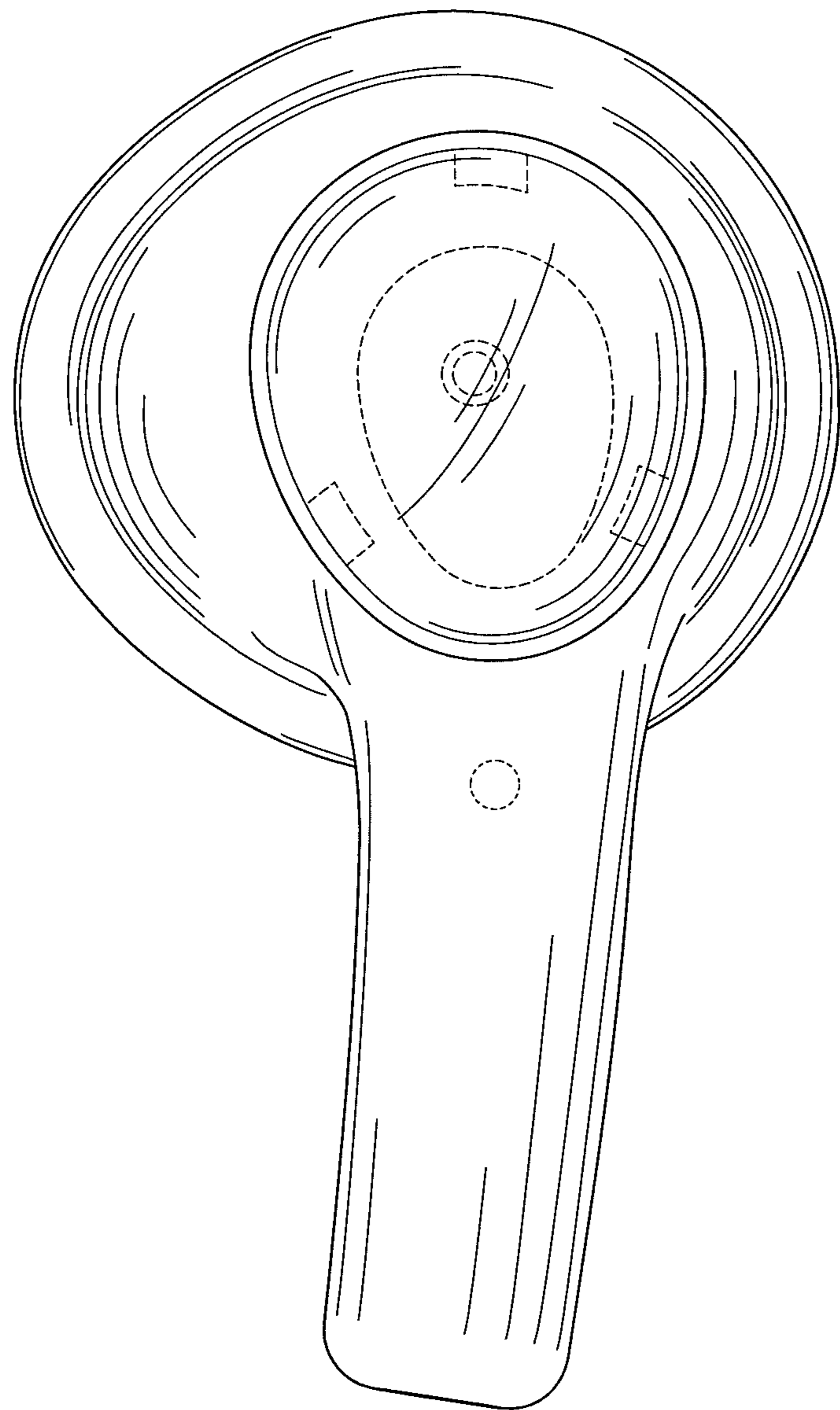


Fig.4

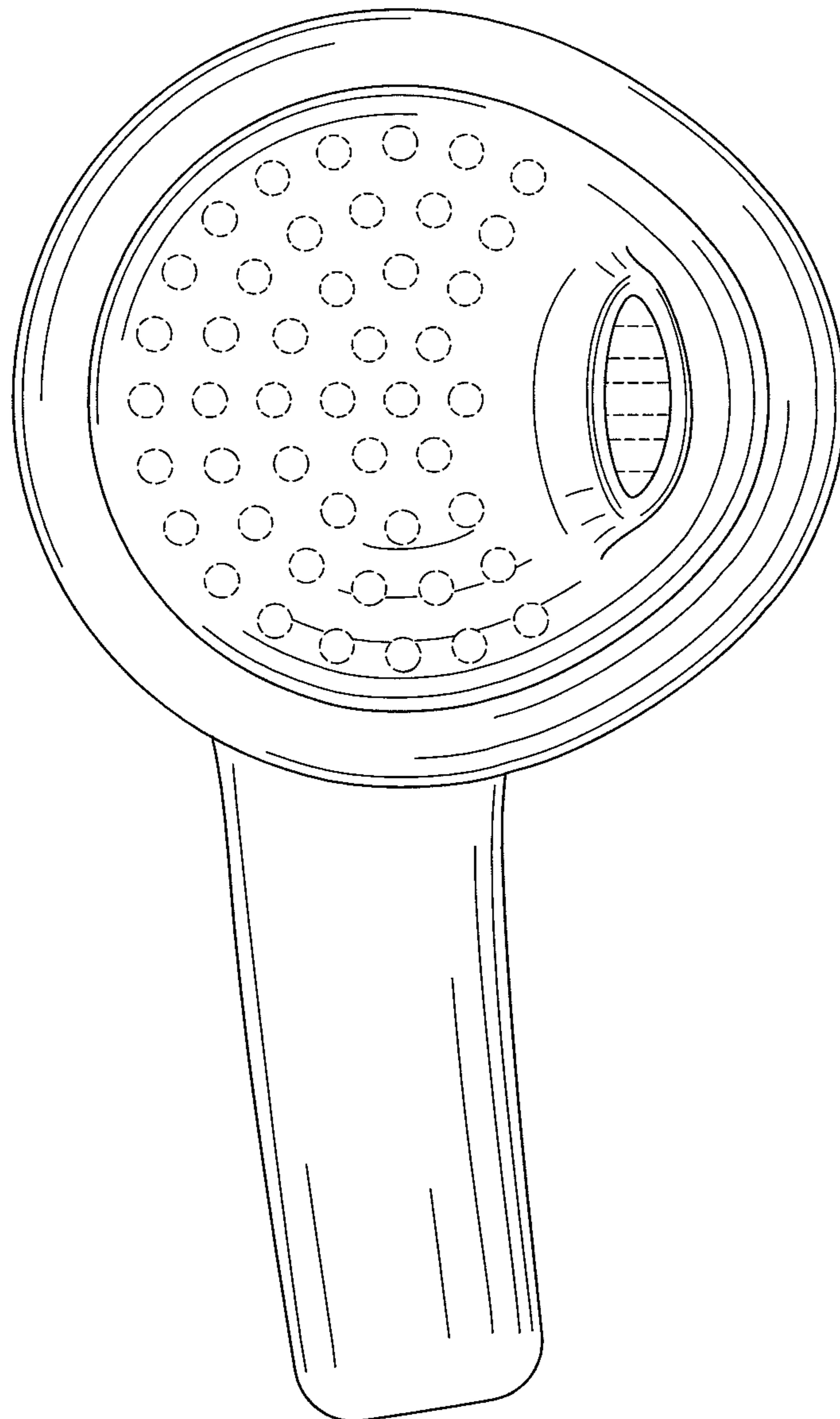


Fig.5

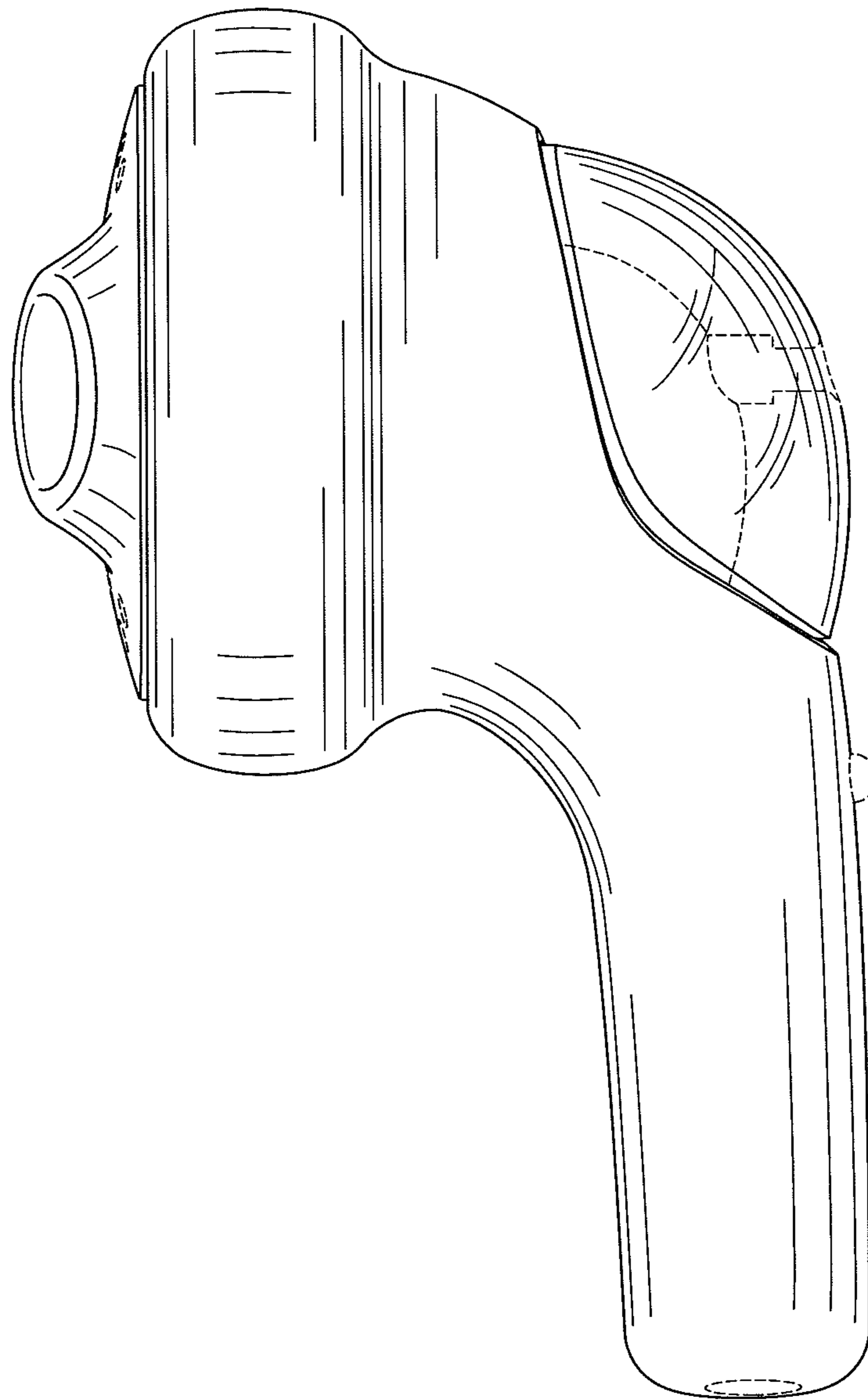


Fig.6

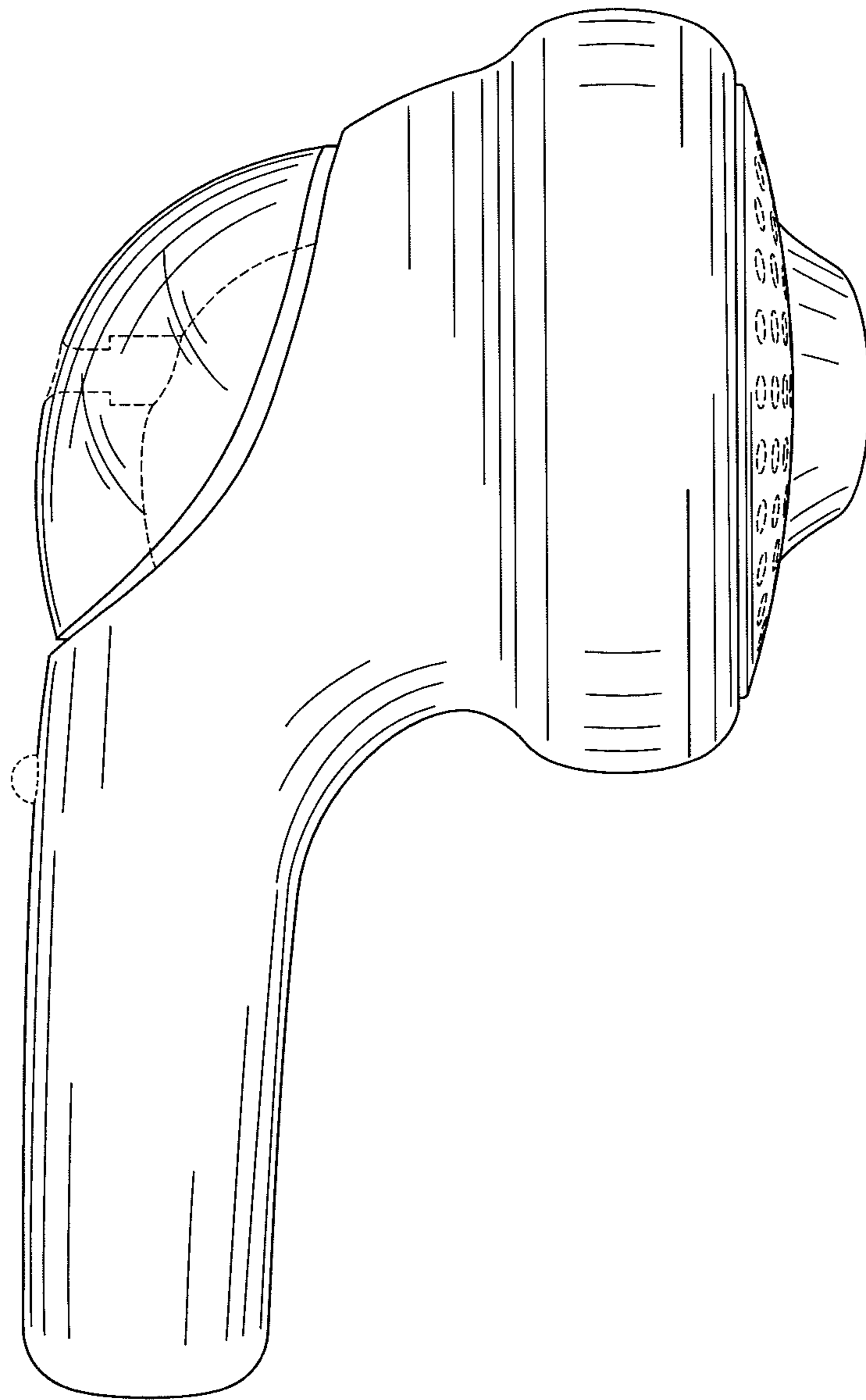


Fig.7

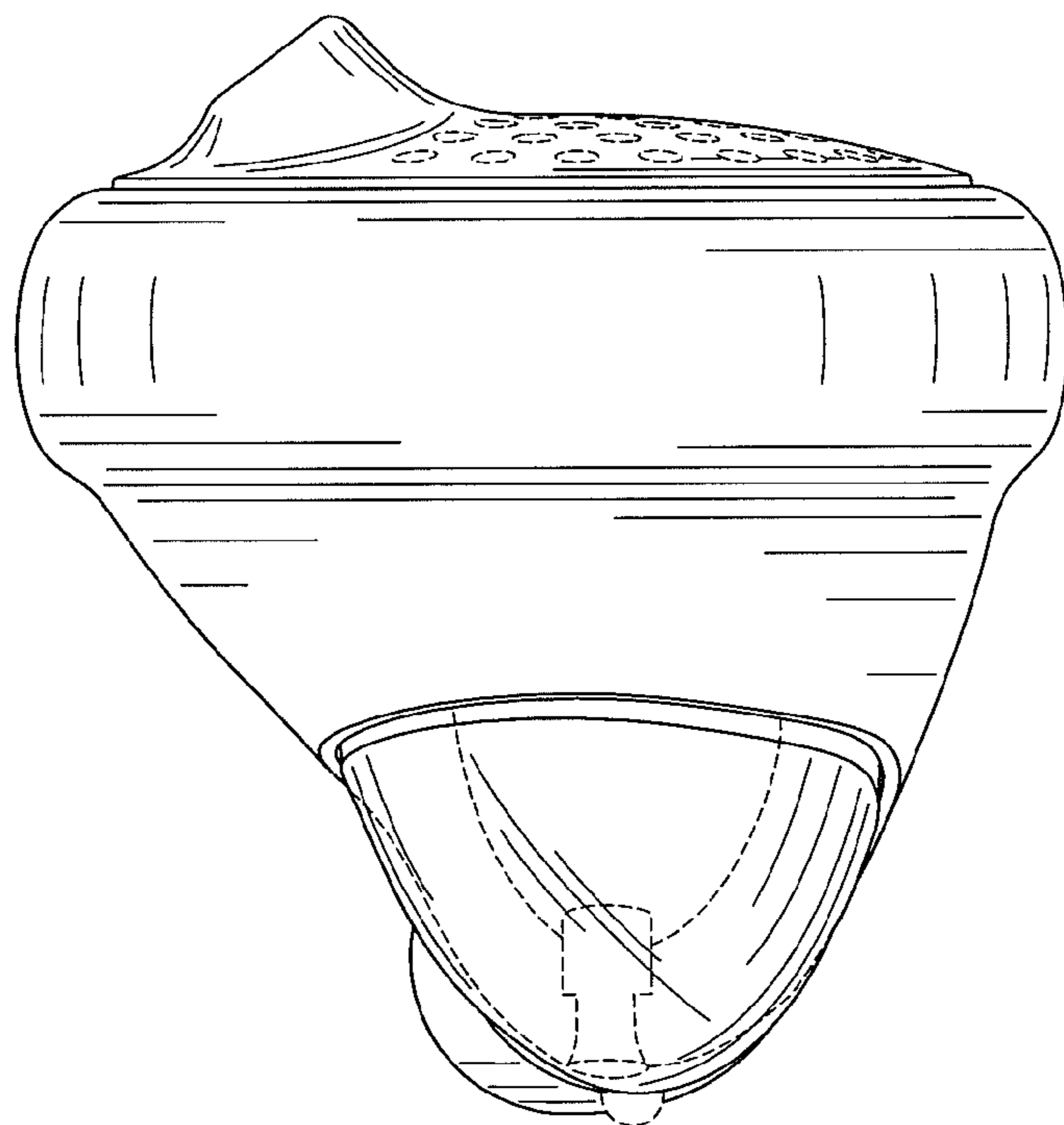


Fig.8

