



US00D702665S

(12) **United States Design Patent**
Kim

(10) **Patent No.:** **US D702,665 S**
(45) **Date of Patent:** **** Apr. 15, 2014**

(54) **DOCK FOR MOBILE COMMUNICATION
TERMINAL**

(75) Inventor: **Young-Soo Kim**, Goyang-si (KR)

(73) Assignee: **Samsung Electronics Co., Ltd.**,
Suwon-si (KR)

(**) Term: **14 Years**

(21) Appl. No.: **29/417,779**

(22) Filed: **Apr. 9, 2012**

(30) **Foreign Application Priority Data**

Dec. 30, 2011 (KR) 30-2011-0056364

(51) **LOC (10) Cl.** **14-03**

(52) **U.S. Cl.**
USPC **D14/217; D14/253; D14/434**

(58) **Field of Classification Search**
CPC G06F 1/1632
USPC D14/140, 142, 149, 155, 157, 188,
D14/191-193, 203.1-203.8, 217, 240, 243,
D14/251, 253, 432-435.1, 447, 451, 474,
D14/480.1-480.7, 496; D13/107, 108, 118;
D3/218; 248/221.11, 309.1; 320/107,
320/110, 113-115; 361/600; 439/529, 534;
455/556.1-556.2, 557; D8/349, 355,
D8/373, 380

See application file for complete search history.

(56) **References Cited**

U.S. PATENT DOCUMENTS

D459,299 S * 6/2002 Hughes et al. D13/108
D580,855 S * 11/2008 Haspil et al. D13/108
D633,038 S * 2/2011 Fahrendorff et al. D13/108

D634,304 S * 3/2011 Andre et al. D14/217
D638,831 S * 5/2011 Paradise D14/253
D647,520 S * 10/2011 Wikel D14/253
D656,930 S * 4/2012 Son D14/253
D657,741 S * 4/2012 Fahrendorff et al. D13/108
D659,092 S * 5/2012 Kawano et al. D13/108
D660,794 S * 5/2012 Fahrendorff et al. D13/108
D669,461 S * 10/2012 Wikel D14/253
D670,283 S * 11/2012 Wikel D14/253
D674,392 S * 1/2013 Cheng et al. D14/434
D675,155 S * 1/2013 Smith et al. D13/108
D685,321 S * 7/2013 Smith et al. D13/108
D692,009 S * 10/2013 Ashida et al. D14/447

* cited by examiner

Primary Examiner — Keli L Hill

(74) *Attorney, Agent, or Firm* — Jefferson IP Law, LLP

(57) **CLAIM**

The ornamental design for dock for mobile communication terminal, as shown and described.

DESCRIPTION

FIG. 1 is a perspective view of dock for mobile communication terminal, showing a new design;
FIG. 2 is a front elevational view thereof;
FIG. 3 is a rear elevational view thereof;
FIG. 4 is a left side elevational view thereof;
FIG. 5 is a right side elevational view thereof;
FIG. 6 is a top plan view thereof;
FIG. 7 is a bottom plan view thereof; and,
FIG. 8 is an alternate perspective view thereof, showing the dock for mobile communication terminal in an environment of use.

The broken lines shown in FIGS. 1-3 and 5-8 are included for the purpose of illustrating environmental elements only and form no part of the claimed design.

1 Claim, 8 Drawing Sheets

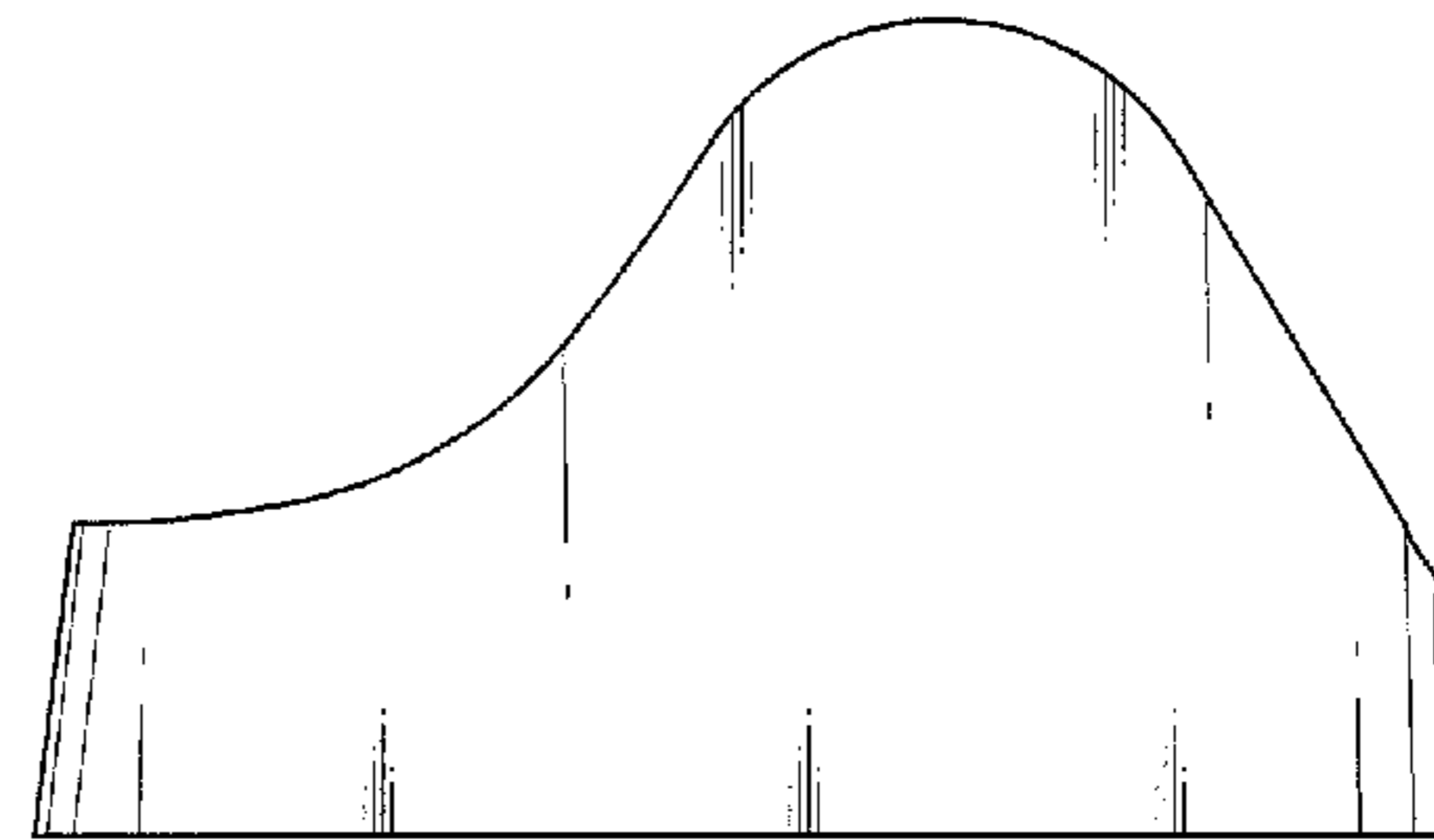
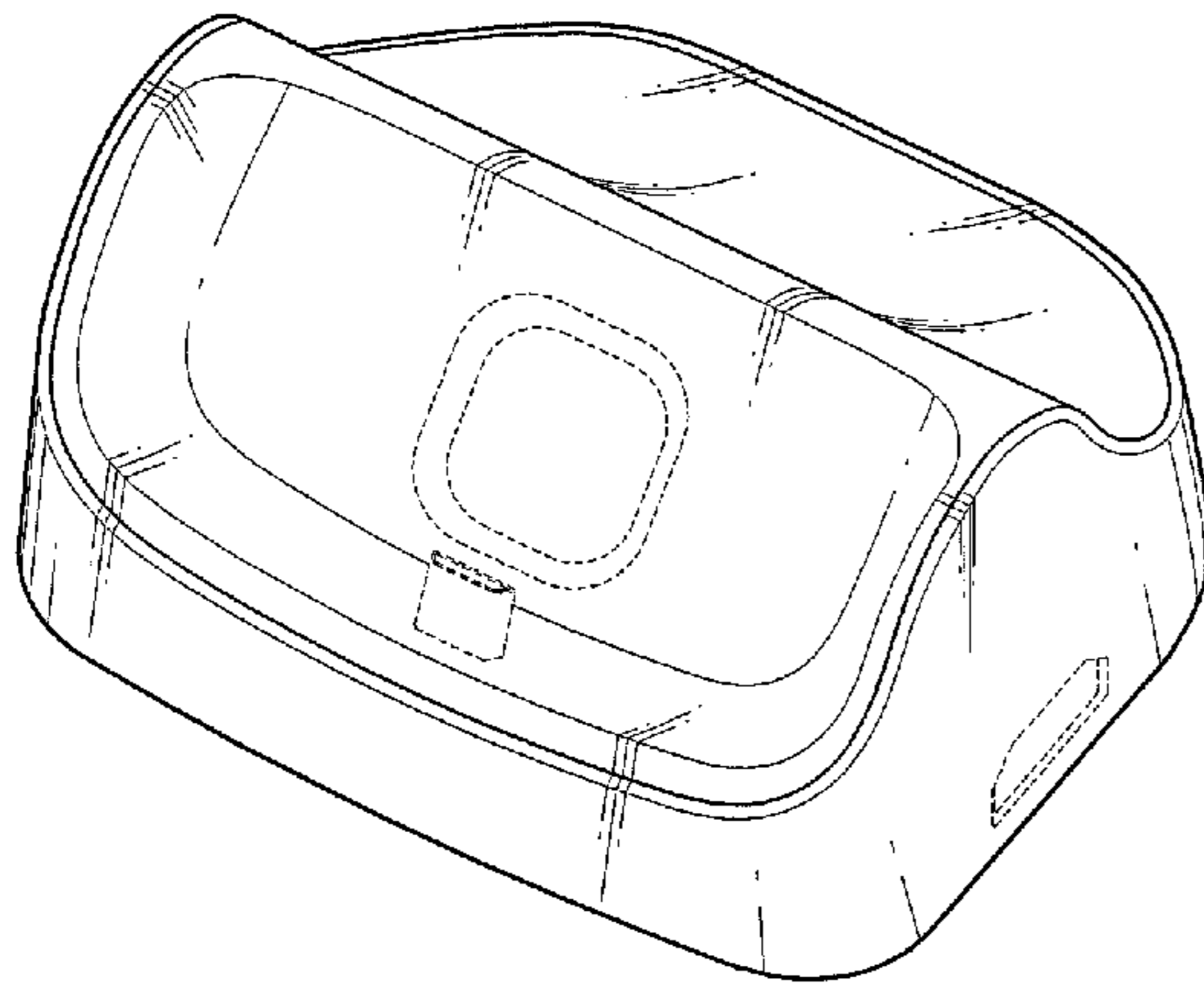


FIG. 1

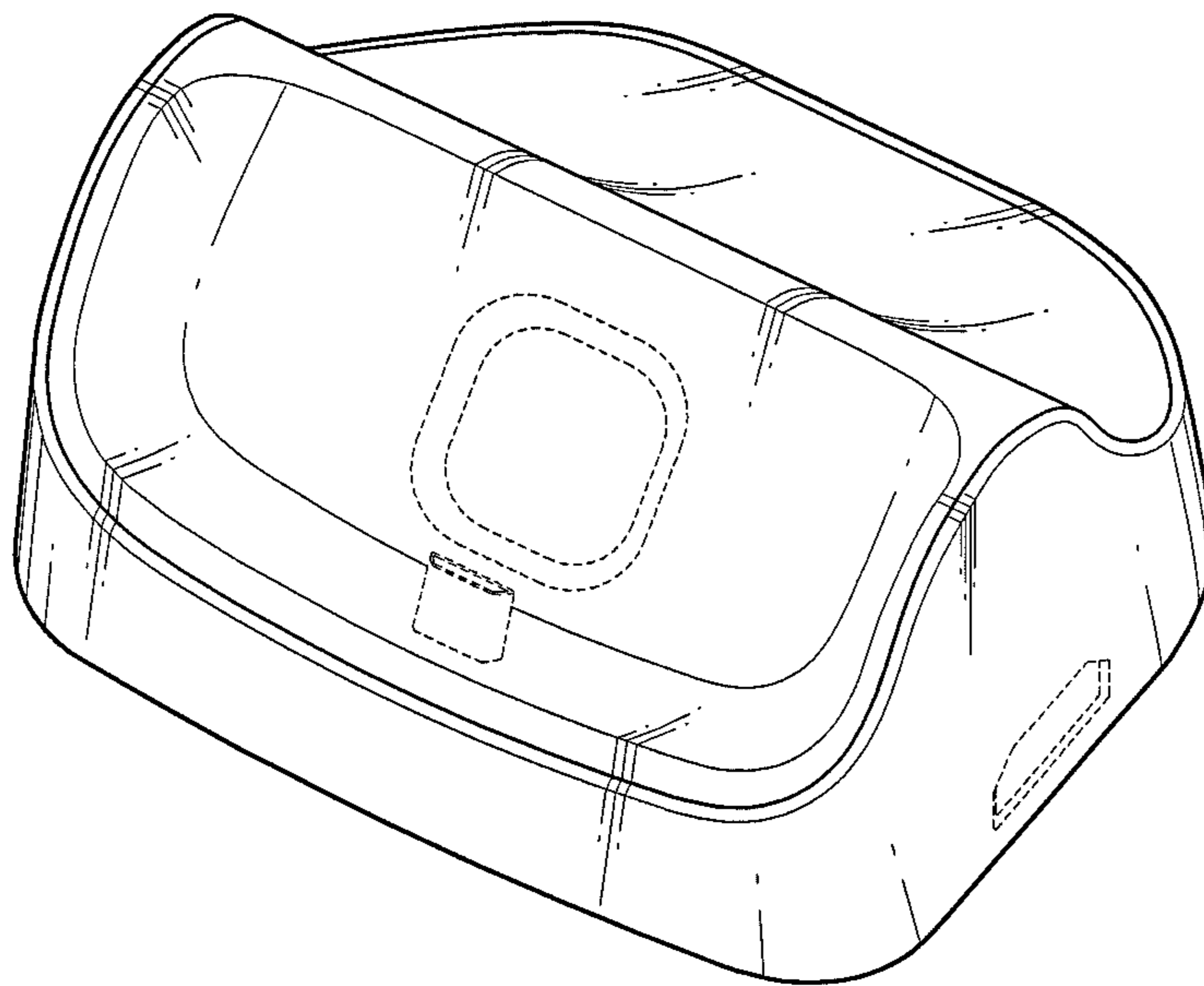


FIG. 2

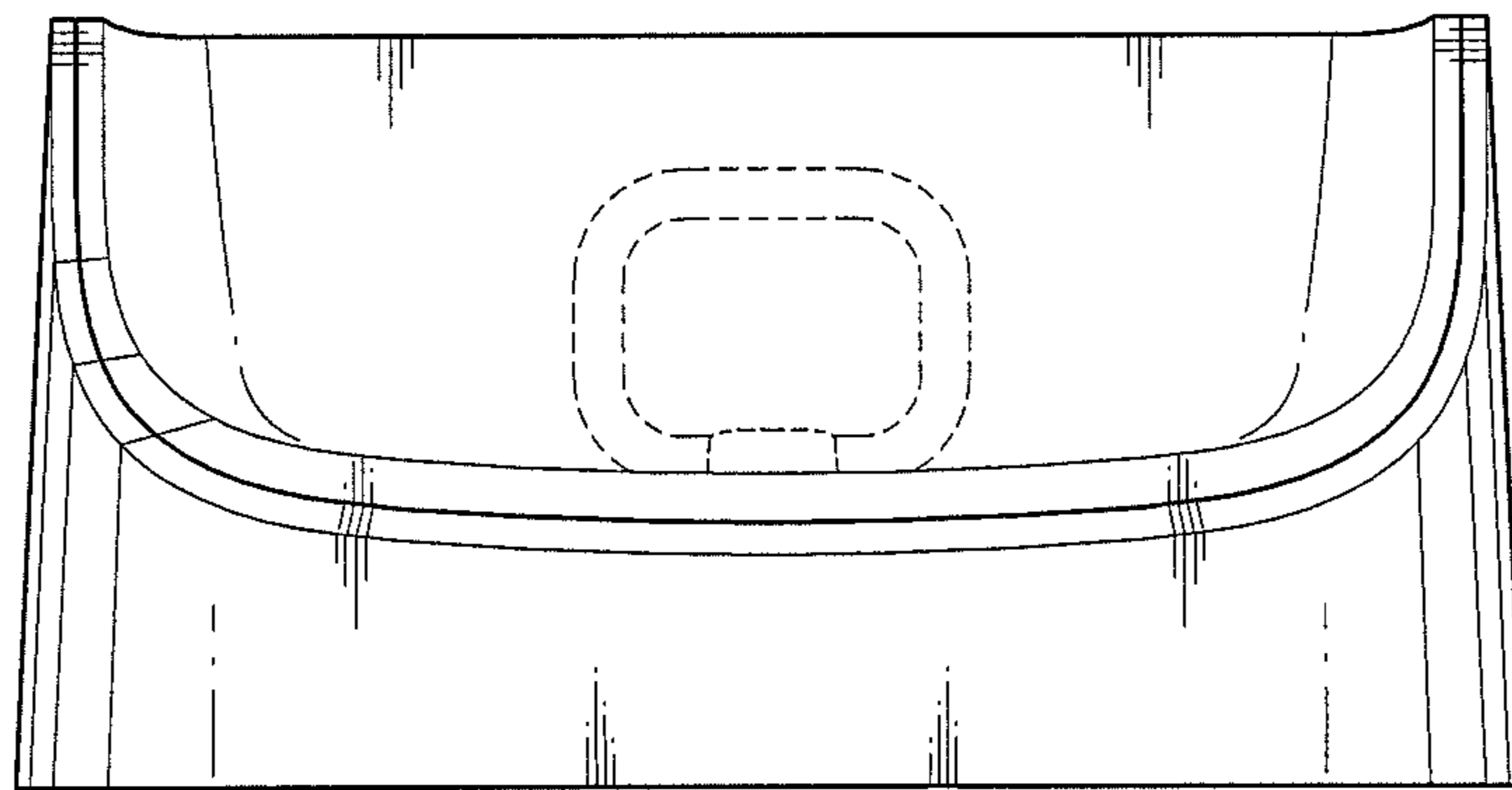


FIG. 3

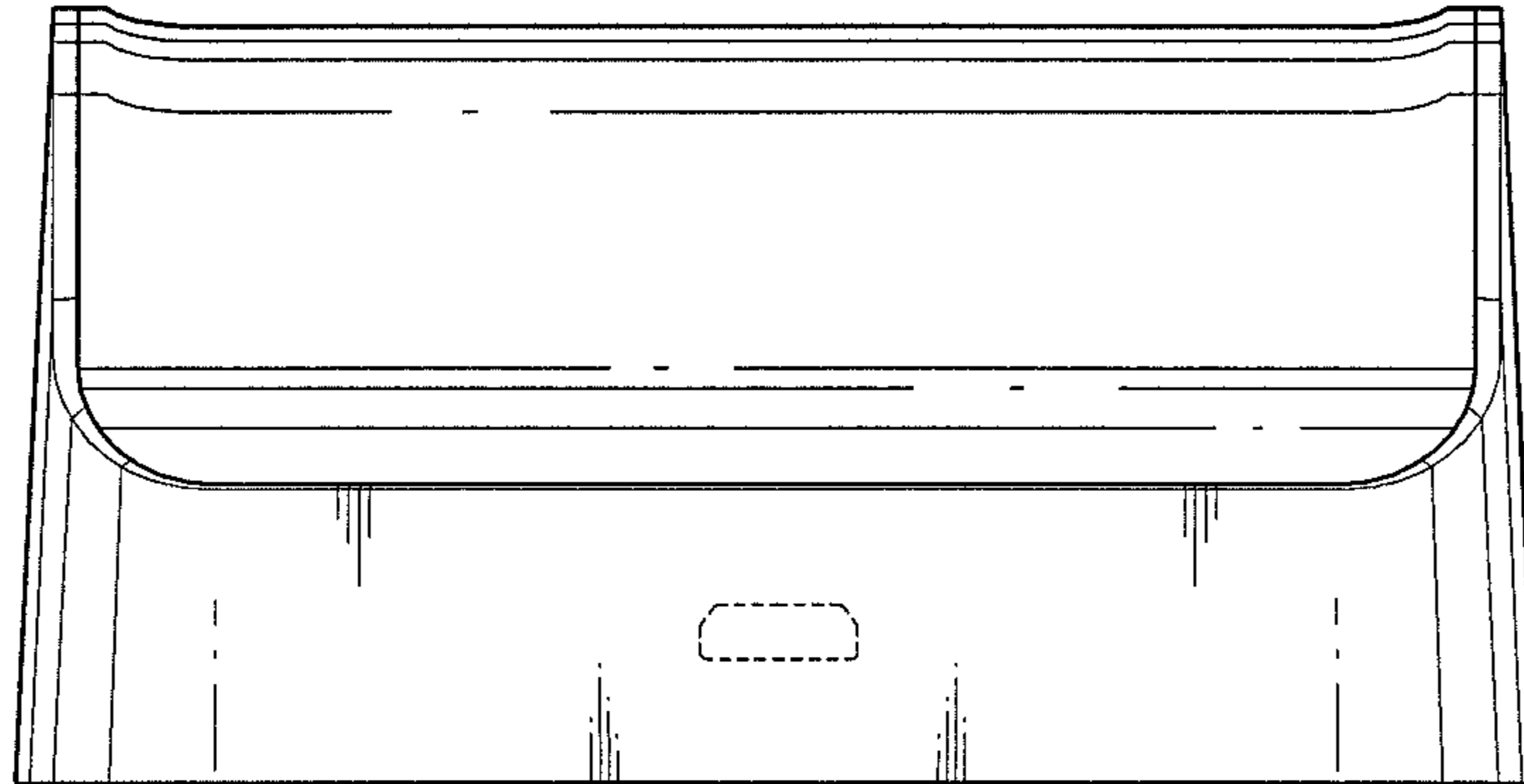


FIG. 4

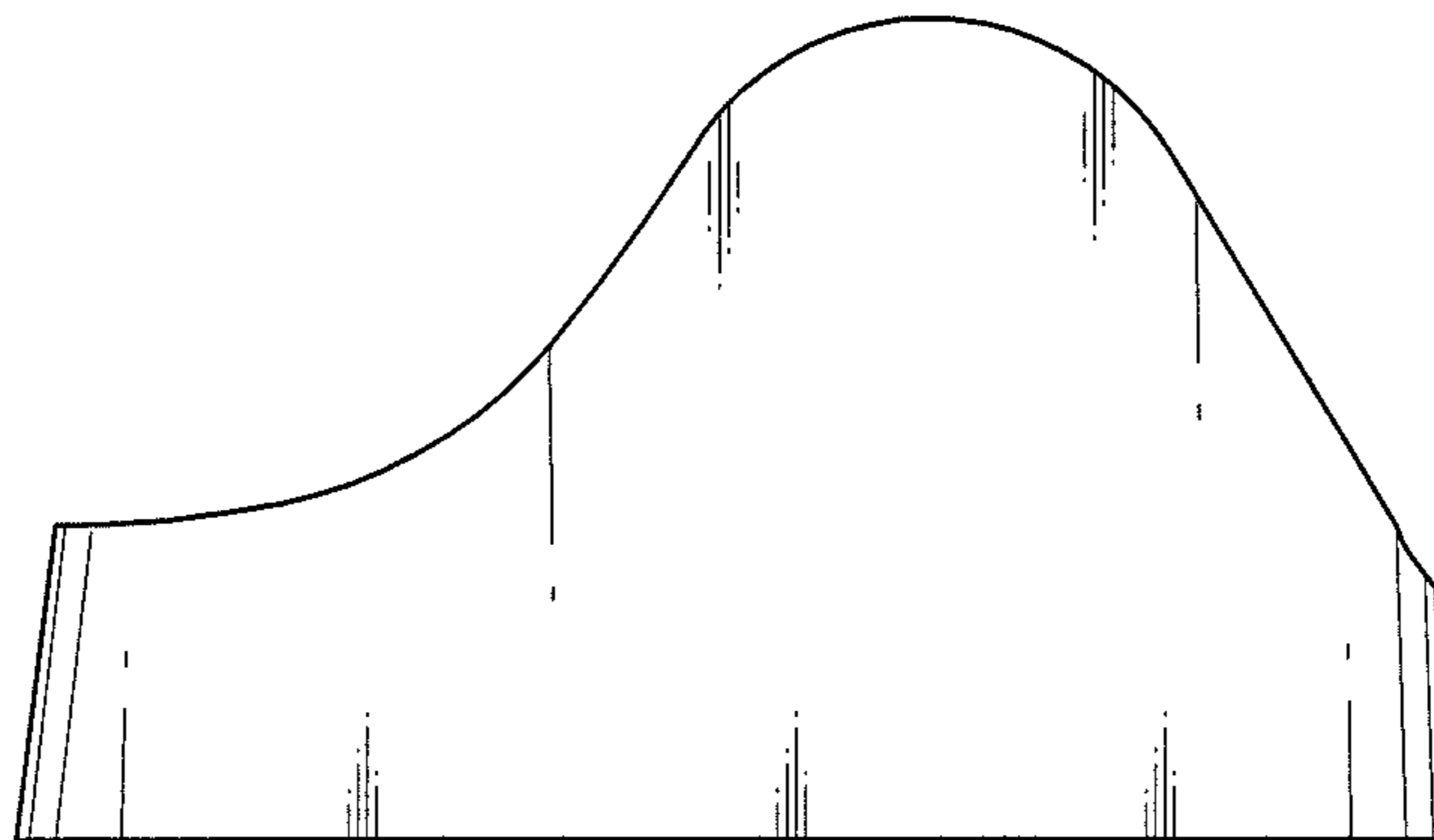


FIG. 5

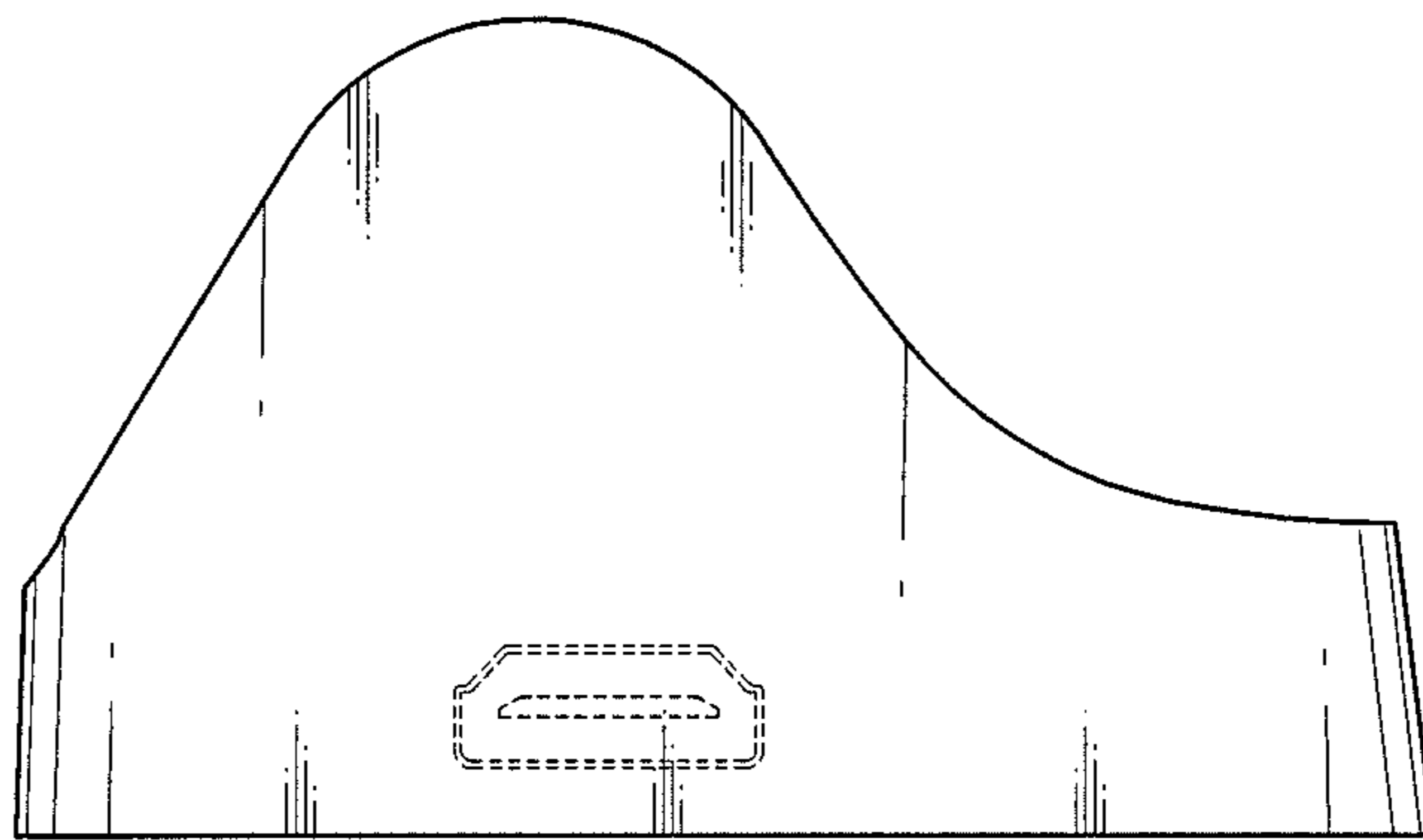


FIG. 6

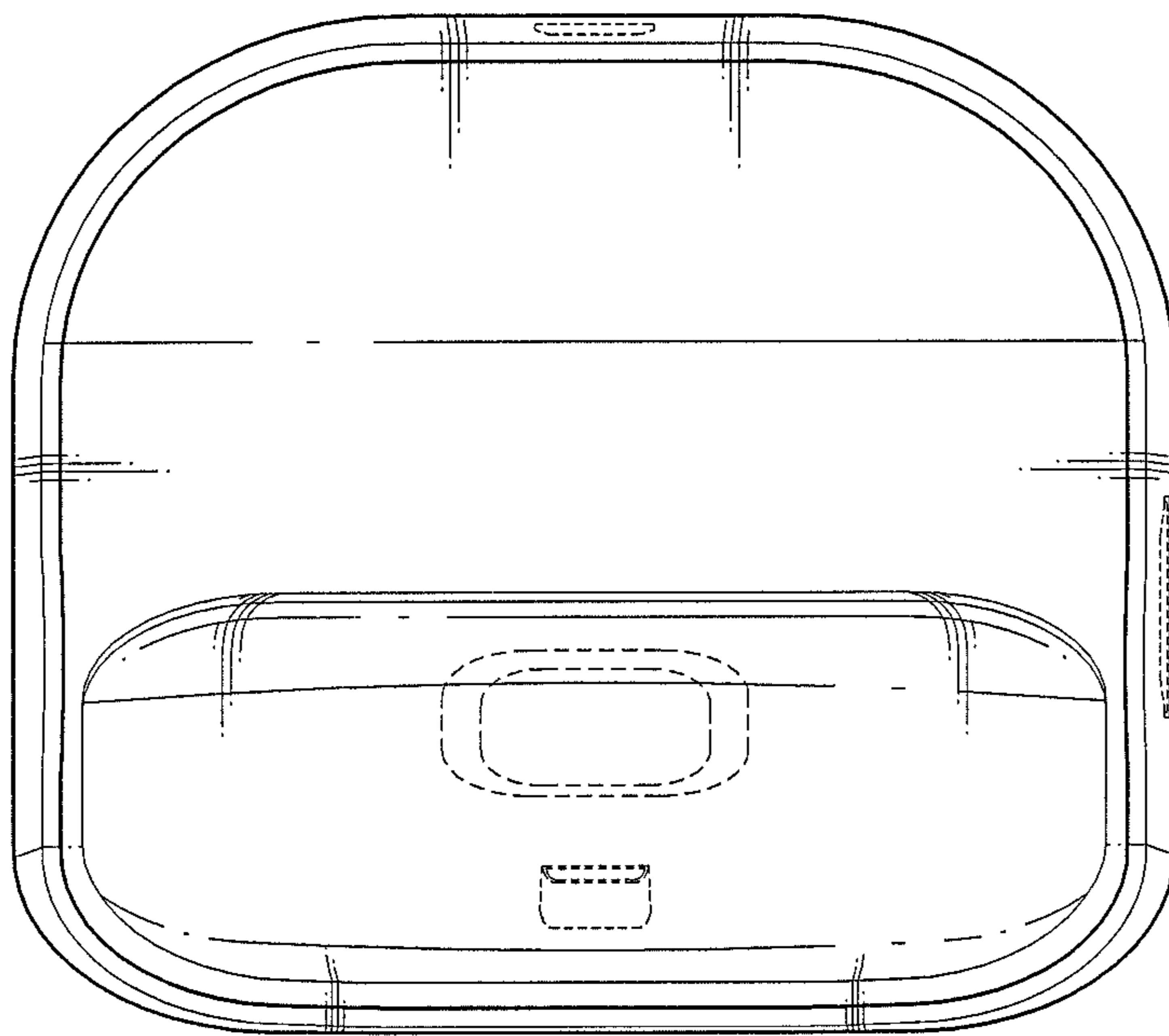


FIG. 7

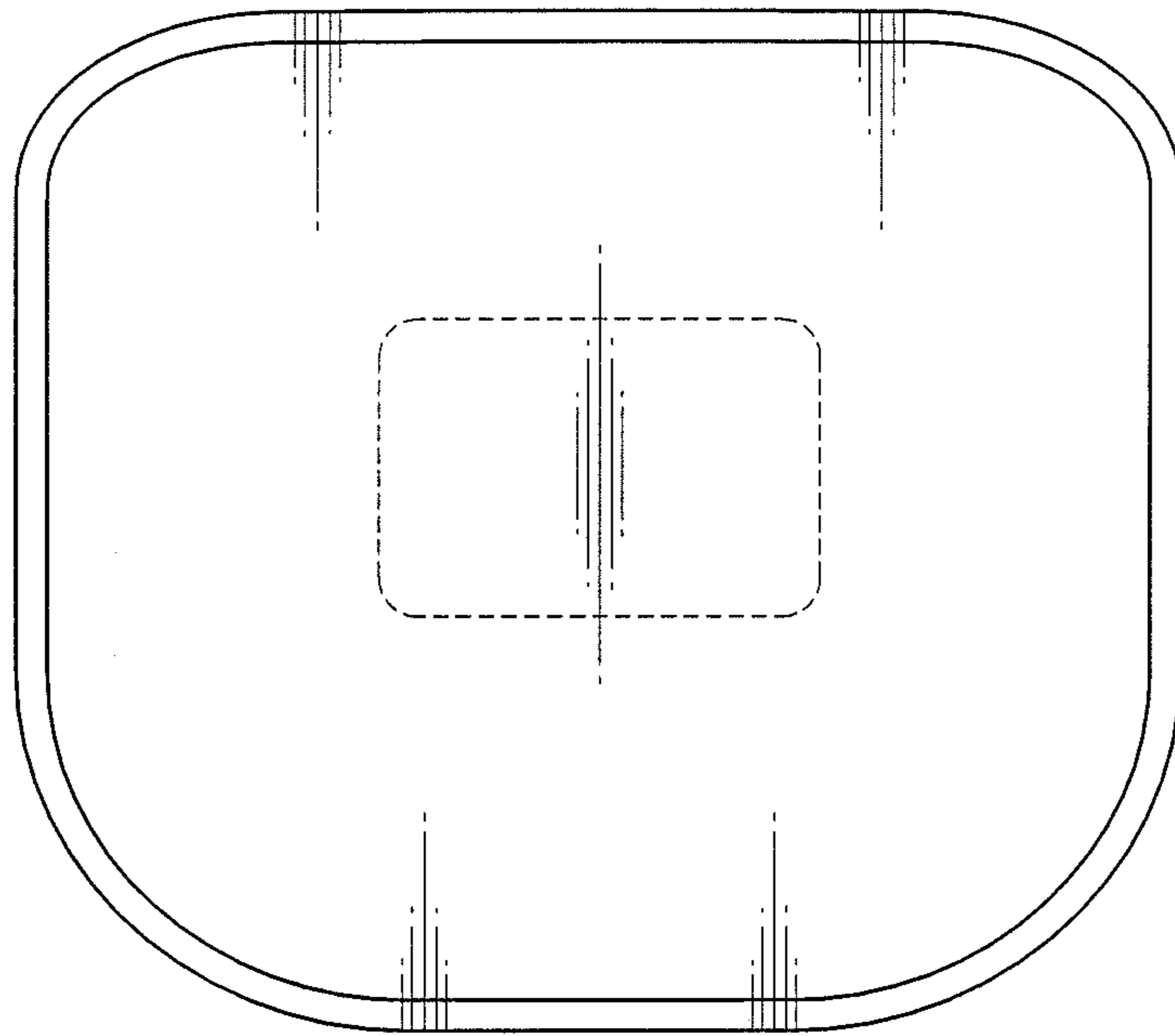


FIG. 8

