



US00D702648S

(12) **United States Design Patent**
Ichio

(10) **Patent No.:** **US D702,648 S**
(45) **Date of Patent:** **** Apr. 15, 2014**

(54) **CHARGING CONNECTOR FOR AN
AUTOMOBILE**

D519,469 S * 4/2006 Sorenson D13/174
7,055,620 B2 * 6/2006 Nadig et al. 173/2
D571,176 S * 6/2008 Albinsson et al. D8/69

(75) Inventor: **Toshifumi Ichio**, Yokkaichi (JP)

(Continued)

(73) Assignee: **Sumitomo Wiring Systems, Ltd.**,
Mie-ken (JP)

FOREIGN PATENT DOCUMENTS

(**) Term: **14 Years**

JP 1383009 3/2010
JP 1398789 10/2010
JP 1398790 10/2010
JP 1416347 6/2011

(21) Appl. No.: **29/409,048**

OTHER PUBLICATIONS

(22) Filed: **Dec. 20, 2011**

Automakers Agree on Common Charging Systems for EVs.
GreenPacks.org [online]. Oct. 17, 2011 [retrieved on Nov. 1, 2013].
Retrieved from the Internet: <<http://www.greenpacks.org/2011/10/17/automakers-agree-on-common-charging-systems-for-evs/>>.*

(30) **Foreign Application Priority Data**

Jul. 5, 2011 (JP) 2011-015435

(51) **LOC (10) CL.** **13-03**

Primary Examiner — Adir Aronovich

(52) **U.S. Cl.**

Assistant Examiner — Ramzi Almatrahi

USPC **D13/174**; D13/146

(74) *Attorney, Agent, or Firm* — Fish & Richardson P.C.

(58) **Field of Classification Search**

(57) **CLAIM**

USPC D13/107–110, 118–120, 133, 146, 147,
D13/152, 154, 156, 158, 169, 170, 171, 173,
D13/174, 176, 184, 199; 320/103, 104, 105,
320/107, 108, 109; 439/34, 153, 246, 252,
439/259, 278, 282, 296, 304, 310, 353, 374,
439/378–381, 455, 456, 476.1, 483, 519,
439/527, 532, 533, 597–598, 600, 660, 680,
439/862, 894; 200/296, 315, 330, 339;
335/202; 173/2, 170, 171, 176, 178,
173/217; D8/25, 29.1, 30, 36, 61–69, 352,
D8/353; D10/106

The ornamental design for a charging connector for an auto-
mobile, as shown and described.

See application file for complete search history.

DESCRIPTION

(56) **References Cited**

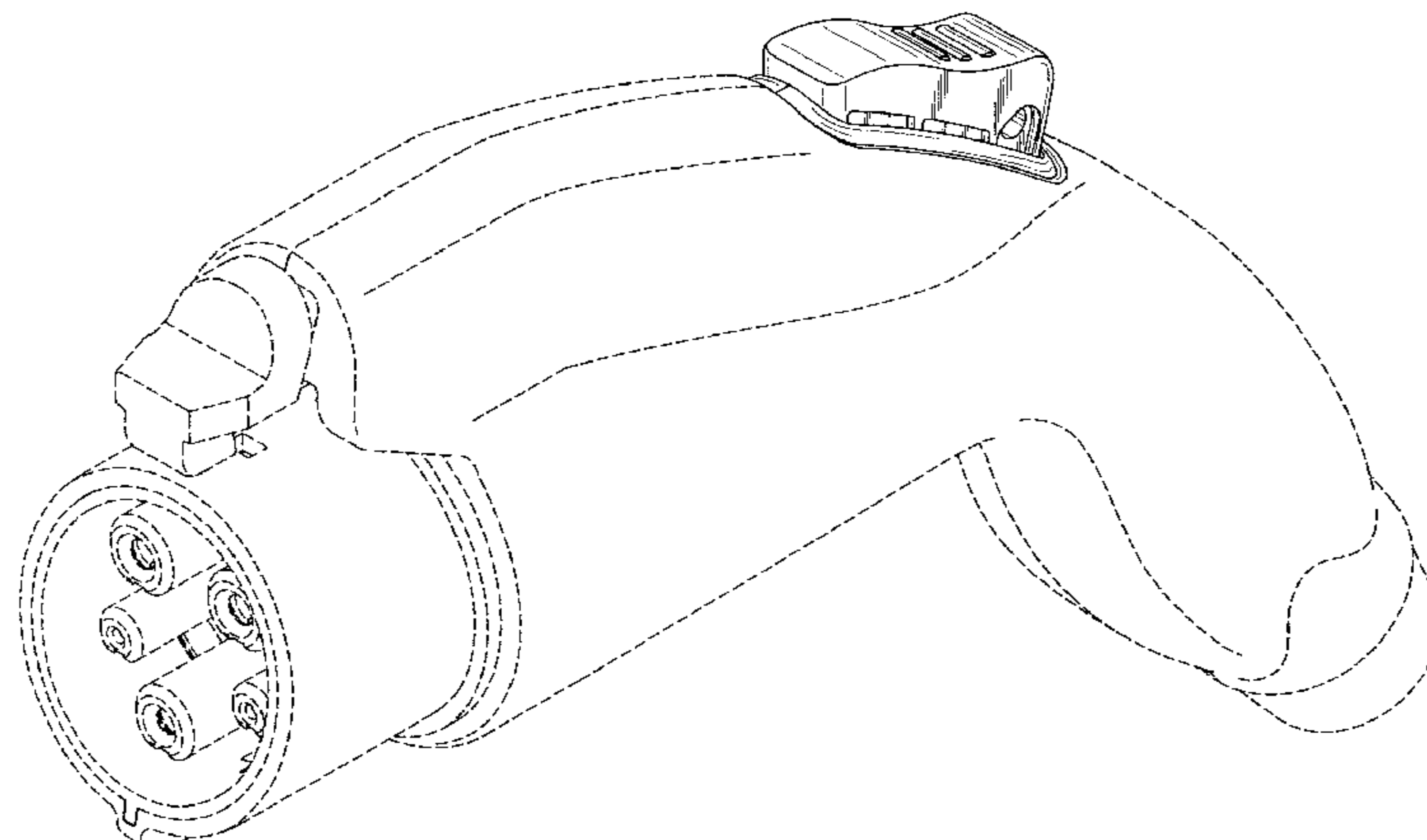
FIG. 1 is a top, front and left side perspective view of a
charging connector for an automobile showing my new
design;
FIG. 2 is a top, front and right perspective view thereof;
FIG. 3 is a front elevational view thereof;
FIG. 4 is a rear elevational view thereof;
FIG. 5 is a top plan view thereof;
FIG. 6 is a right side elevational view thereof; and,
FIG. 7 is an enlarged cross-sectional view taken along line 7-7
in FIG. 3 with the internal structure omitted.

U.S. PATENT DOCUMENTS

The features shown in broken lines in the drawings depict
environmental subject matter only and form no part of the
claimed design.

D328,454 S * 8/1992 Sorenson et al. D13/174
D341,568 S * 11/1993 Sorenson et al. D13/174
D458,231 S * 6/2002 Errato D13/169

1 Claim, 7 Drawing Sheets



(56)

References Cited

U.S. PATENT DOCUMENTS

D580,248 S *	11/2008	Rane et al.	D8/61	D645,006 S *	9/2011	Bauer et al.	D13/174
D618,529 S *	6/2010	Stirm	D8/69	8,152,550 B2 *	4/2012	Ichio et al.	439/304
D618,530 S *	6/2010	Stirm	D8/69	D669,033 S *	10/2012	Senk et al.	D13/146
D629,358 S *	12/2010	Slippy et al.	D13/133	D682,223 S *	5/2013	Bauer et al.	D13/174
D636,334 S *	4/2011	Kato et al.	D13/119	8,573,998 B2 *	11/2013	Ichio	439/358
					8,597,046 B2 *	12/2013	Osawa et al.	439/469
					2012/0202365 A1 *	8/2012	Ichio	439/131
					2012/0238131 A1 *	9/2012	Osawa	439/476.1

* cited by examiner

FIG. 1

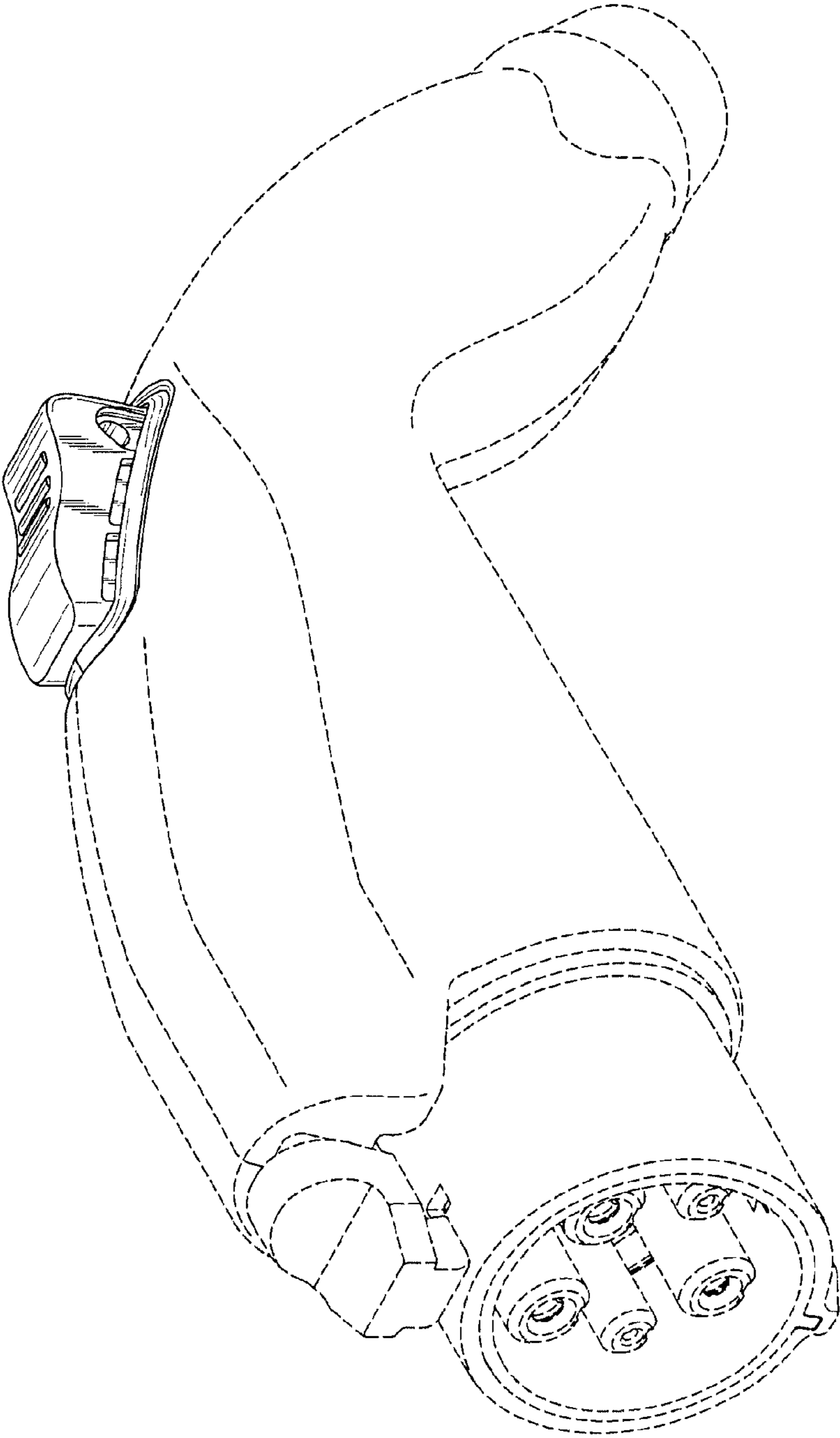


FIG. 2

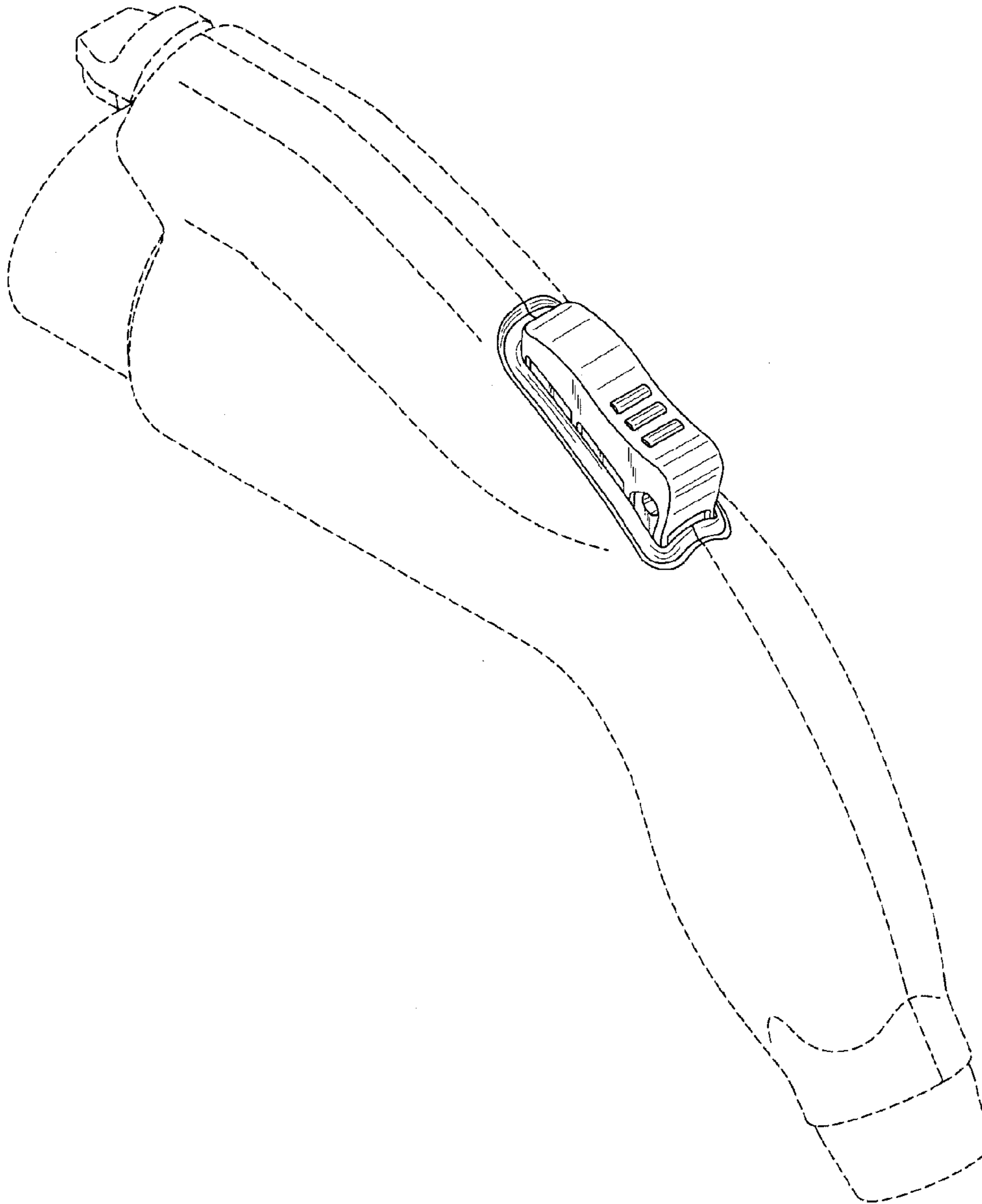


FIG. 3

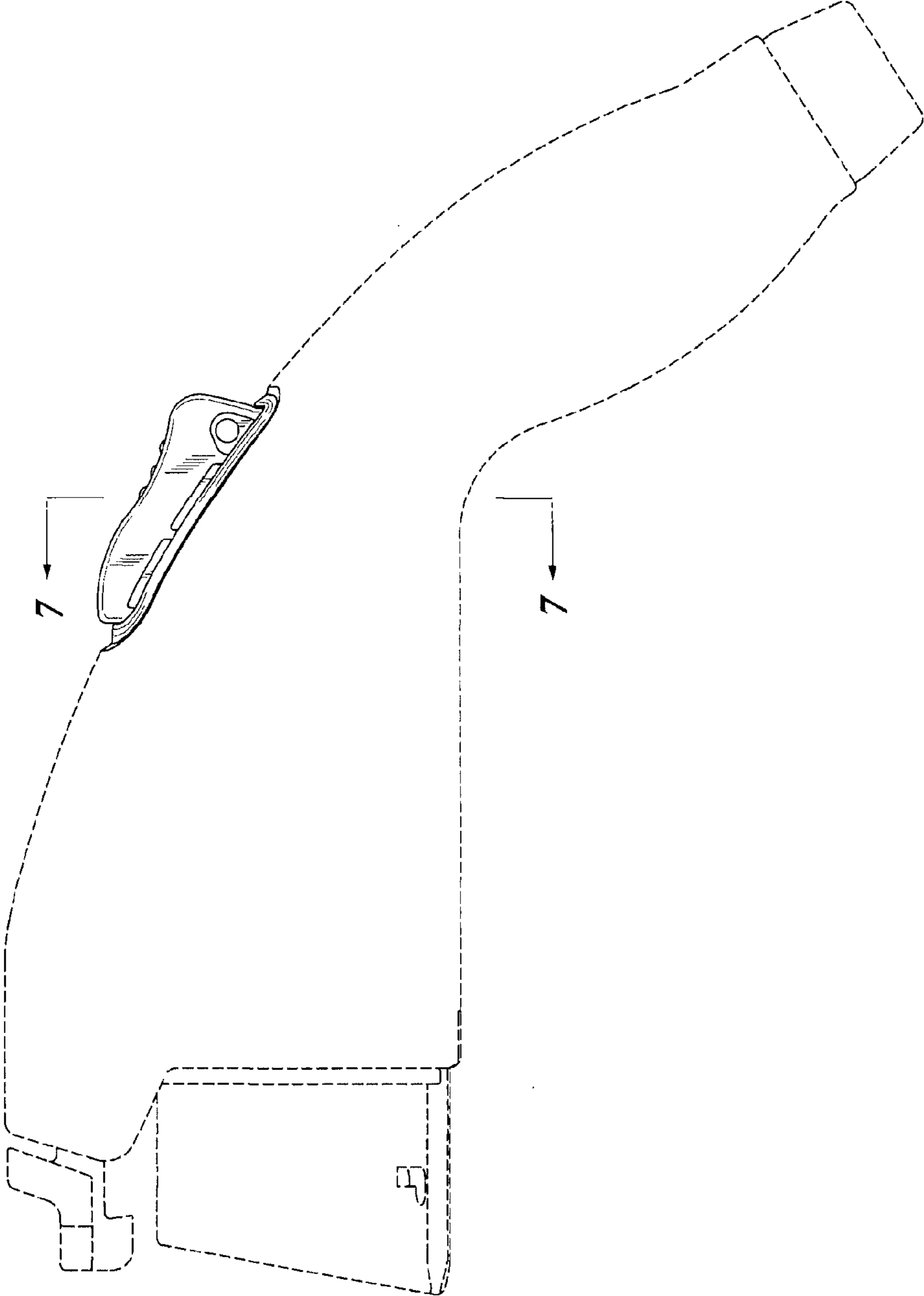


FIG. 4

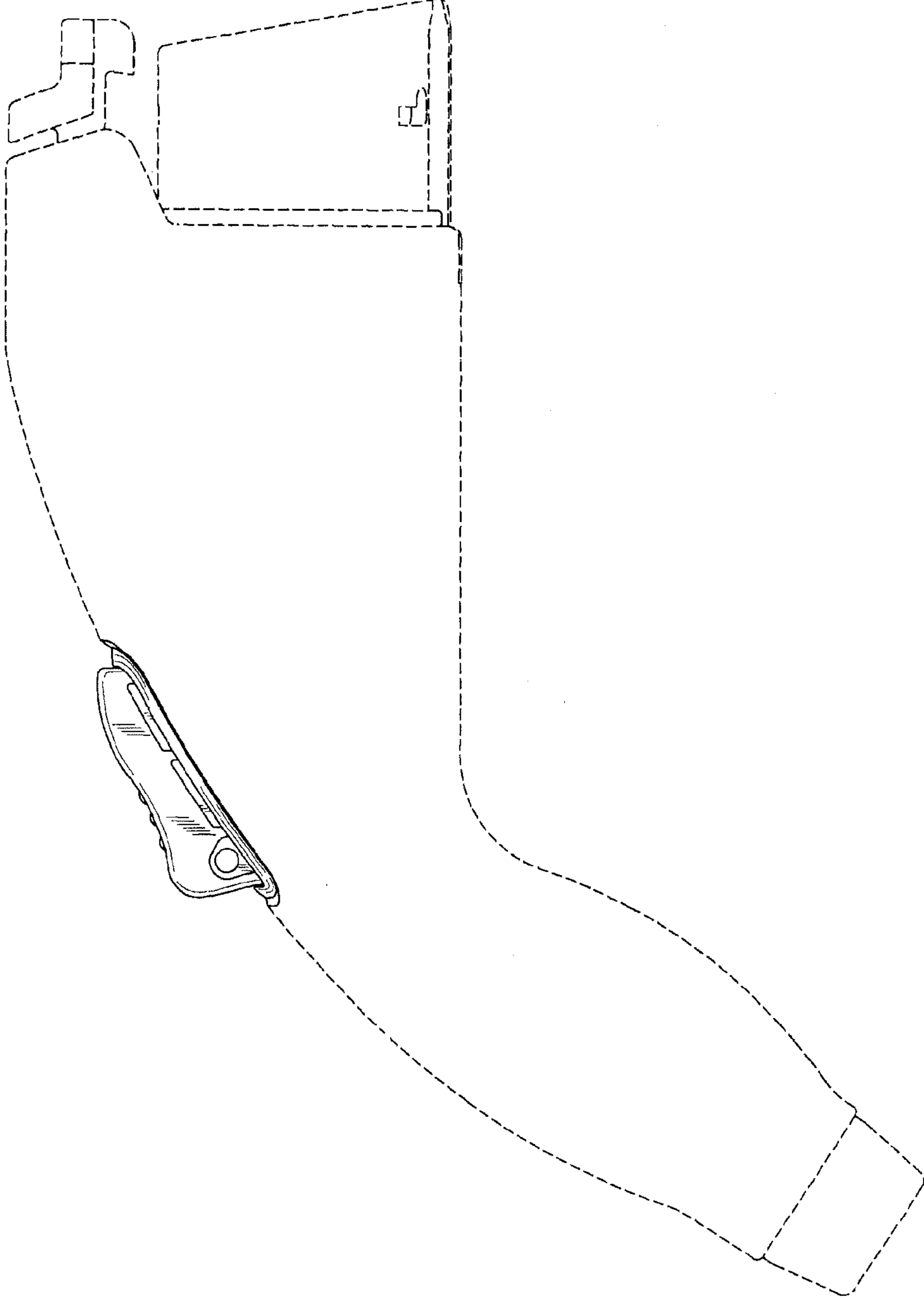


FIG. 5

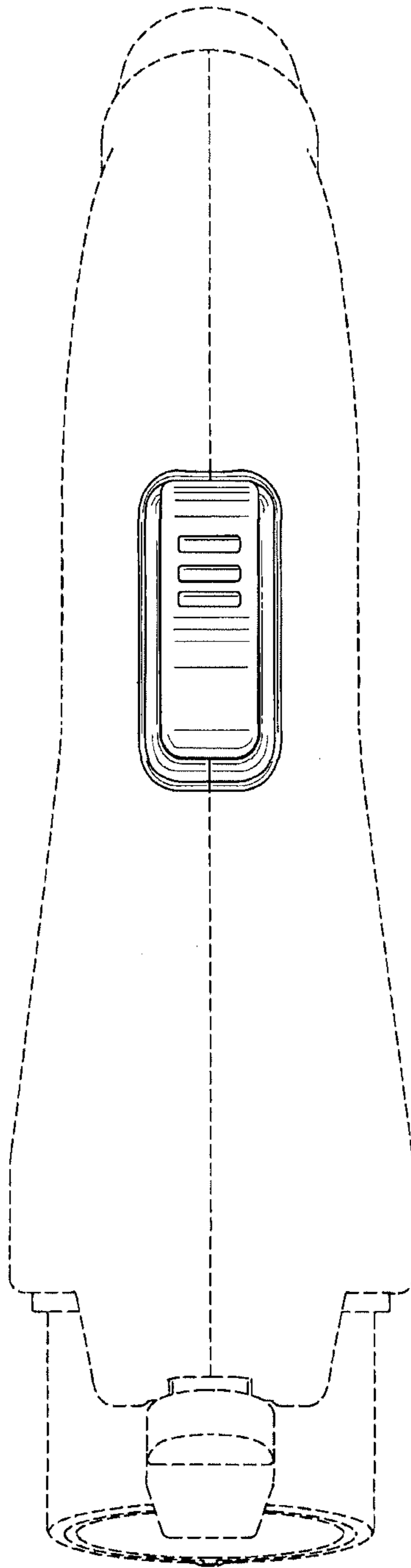


FIG. 6

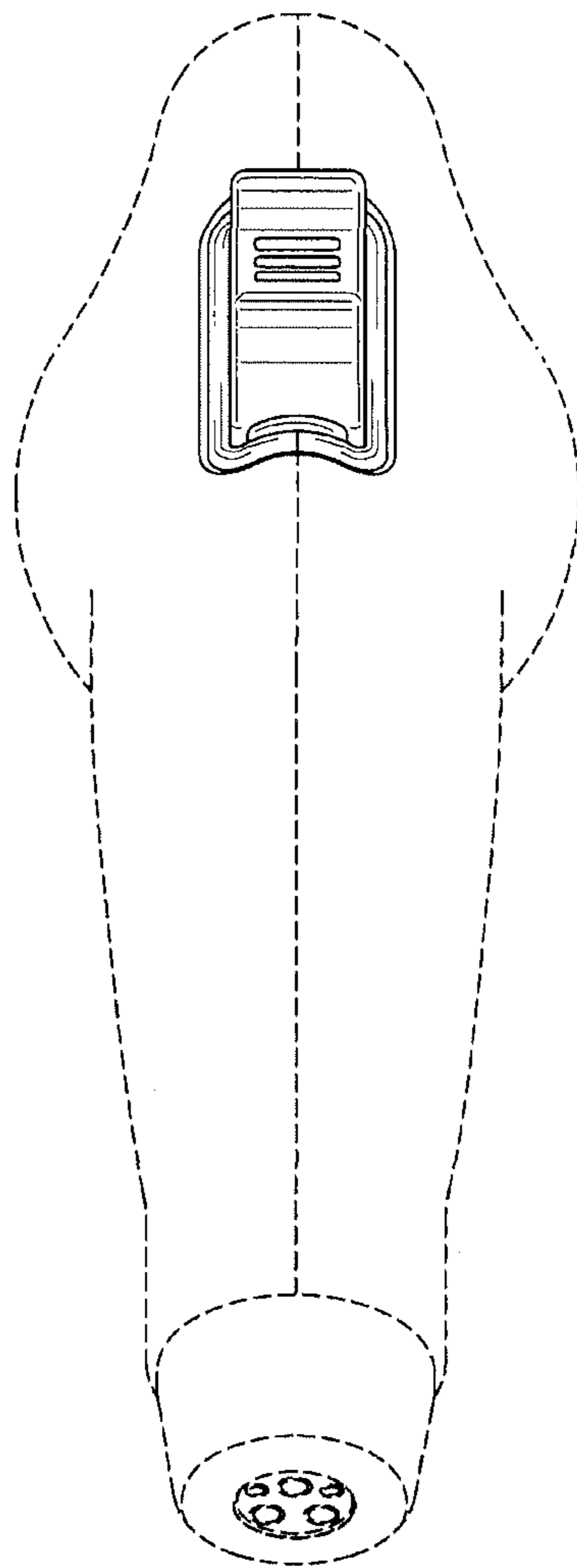


FIG. 7

