



US00D702646S

(12) **United States Design Patent**
Uebayashi et al.

(10) **Patent No.:** **US D702,646 S**
(45) **Date of Patent:** **** Apr. 15, 2014**

(54) **ELECTRIC CONTACT**
(71) Applicant: **Kabushiki Kaisha Nihon Micronics,**
Musashino (JP)
(72) Inventors: **Masatomo Uebayashi,** Musashino (JP);
Akira Souma, Musashino (JP)

D552,559 S * 10/2007 Sanroma et al. D13/154
D578,127 S * 10/2008 Crisp et al. D14/432
D596,583 S * 7/2009 Teranishi et al. D13/154
D615,494 S * 5/2010 Yang D13/120
7,924,038 B2 * 4/2011 Kuniyoshi et al. 324/755.01
8,063,651 B2 * 11/2011 Kamata et al. 324/754.03
2008/0197869 A1 * 8/2008 Miyagi et al. 324/762
2009/0160473 A1 * 6/2009 Fukami et al. 324/762

(73) Assignees: **Kabushiki Kaisha Nihon Micronics,**
Tokyo (JP); **Federal Signal**
Corporation, Oak Brook, IL (US)

FOREIGN PATENT DOCUMENTS

JP 1330498 5/2008
JP 1330502 5/2008
JP 1339403 9/2008
JP 1355047 4/2009

(**) Term: **14 Years**

(21) Appl. No.: **29/445,455**

* cited by examiner

(22) Filed: **Feb. 12, 2013**

Primary Examiner — Daniel Bui

(30) **Foreign Application Priority Data**

(74) *Attorney, Agent, or Firm* — Bacon & Thomas, PLLC

Aug. 29, 2012 (JP) 2012-020780

(51) **LOC (10) Cl.** **13-03**

(57) **CLAIM**

(52) **U.S. Cl.**
USPC **D13/154**

The ornamental design of an electric contact, as shown and described.

(58) **Field of Classification Search**
USPC D13/133, 146, 147, 148, 154, 184, 199;
29/874; 324/762; 439/82, 83, 636, 271,
439/272, 277, 839, 849–850, 852, 862, 870,
439/877, 884–885, 887–891, 927
See application file for complete search history.

DESCRIPTION

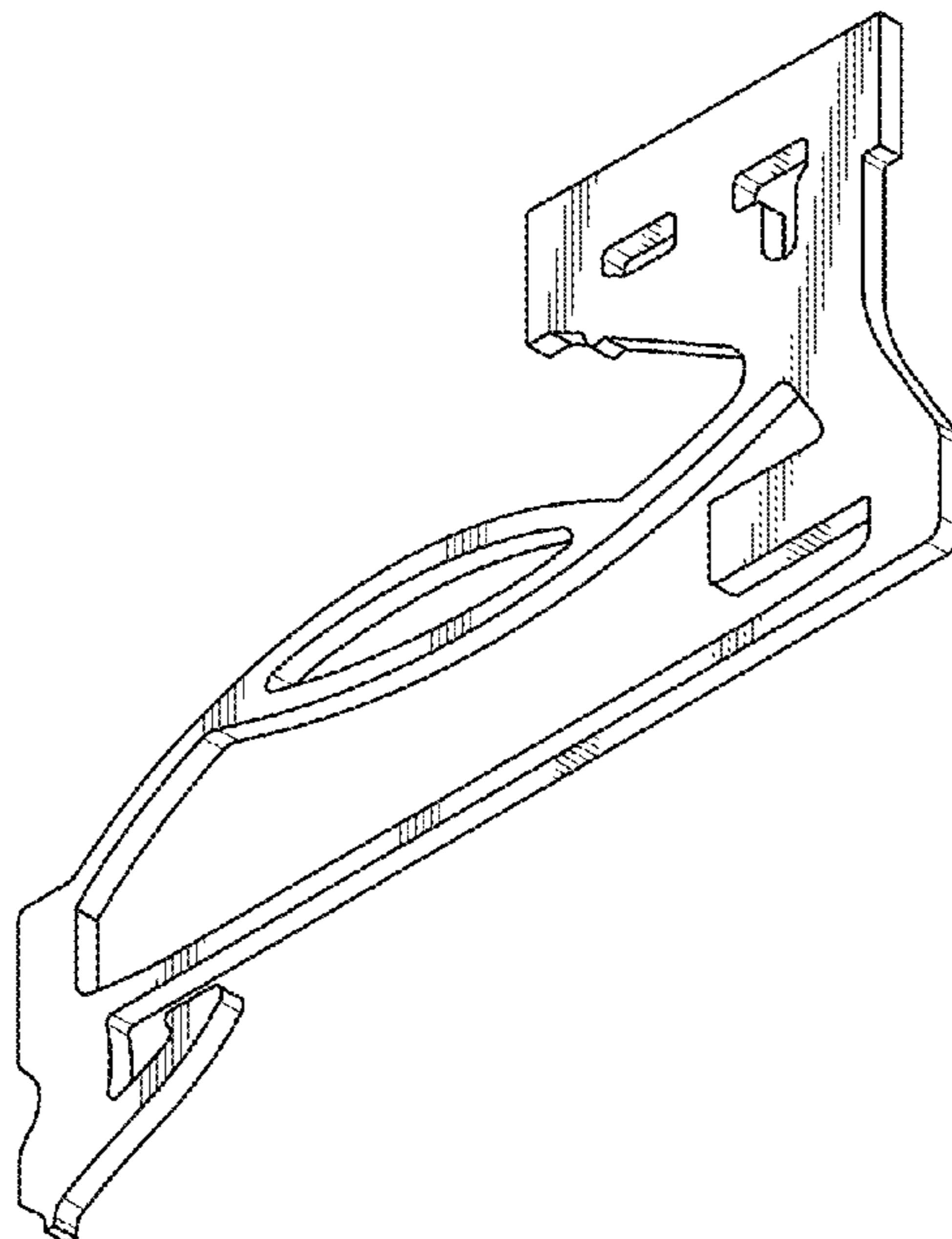
FIG. 1 is a front, bottom and right side perspective view of an electric contact showing our new design;
FIG. 2 is a front elevation view thereof;
FIG. 3 is a rear elevation view thereof;
FIG. 4 is a top plan view thereof;
FIG. 5 is a bottom plan view thereof;
FIG. 6 is a right side elevation view thereof; and,
FIG. 7 is a left side elevation view thereof.

(56) **References Cited**

U.S. PATENT DOCUMENTS

4,995,817 A * 2/1991 Grabbe 439/71
D317,752 S * 6/1991 Kozono D13/148
D516,523 S * 3/2006 Kondas D13/154

1 Claim, 3 Drawing Sheets



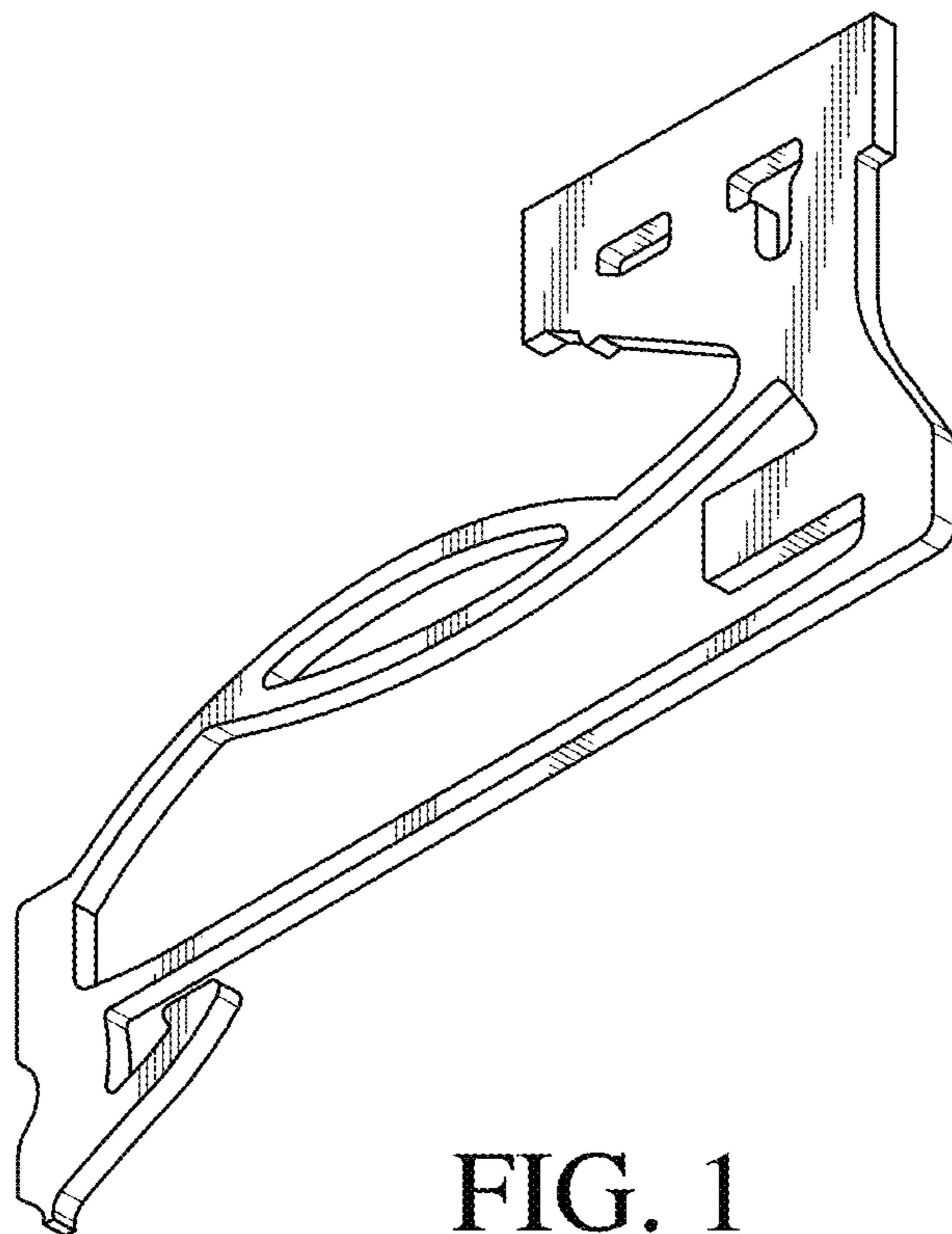


FIG. 1

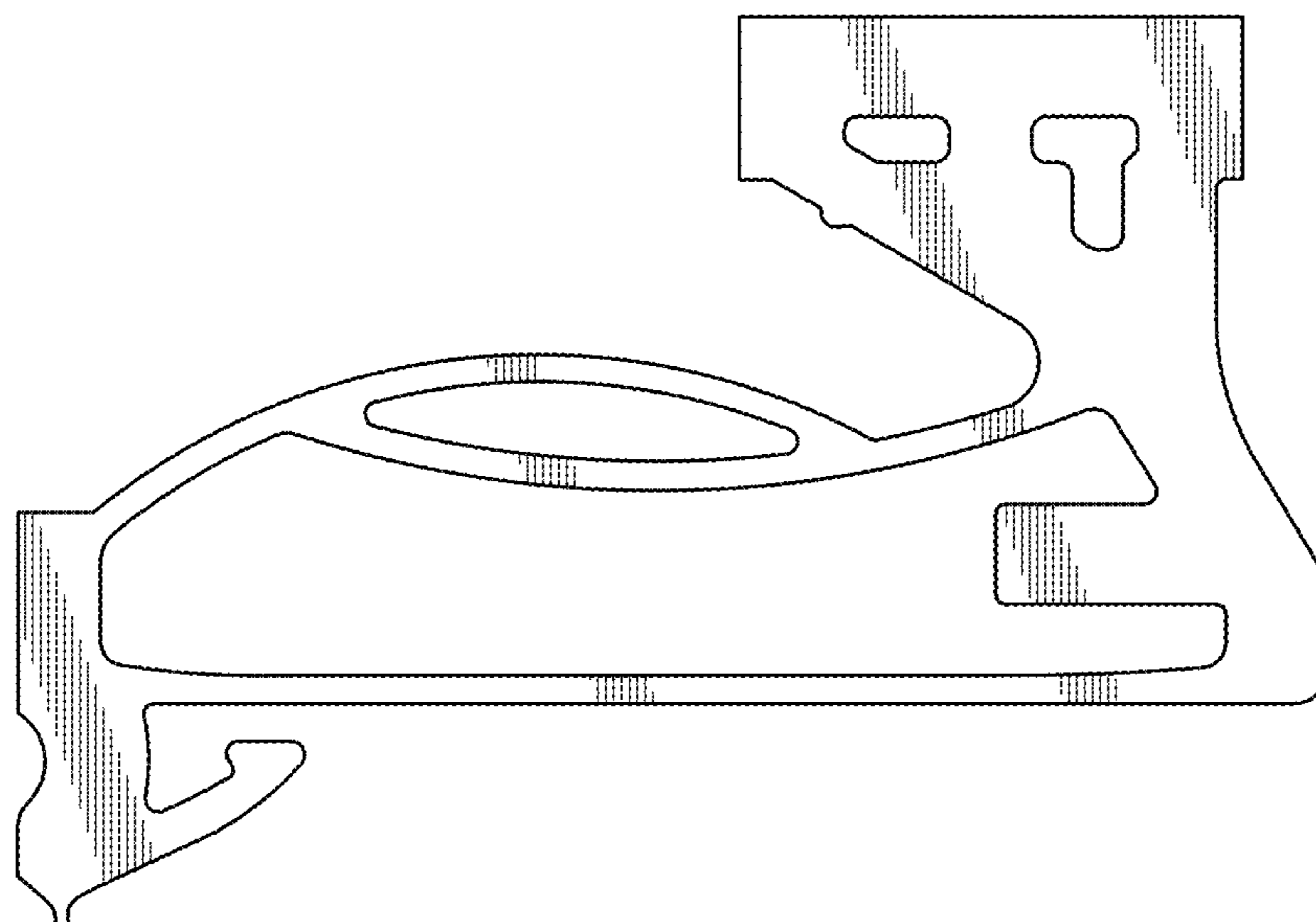


FIG. 2

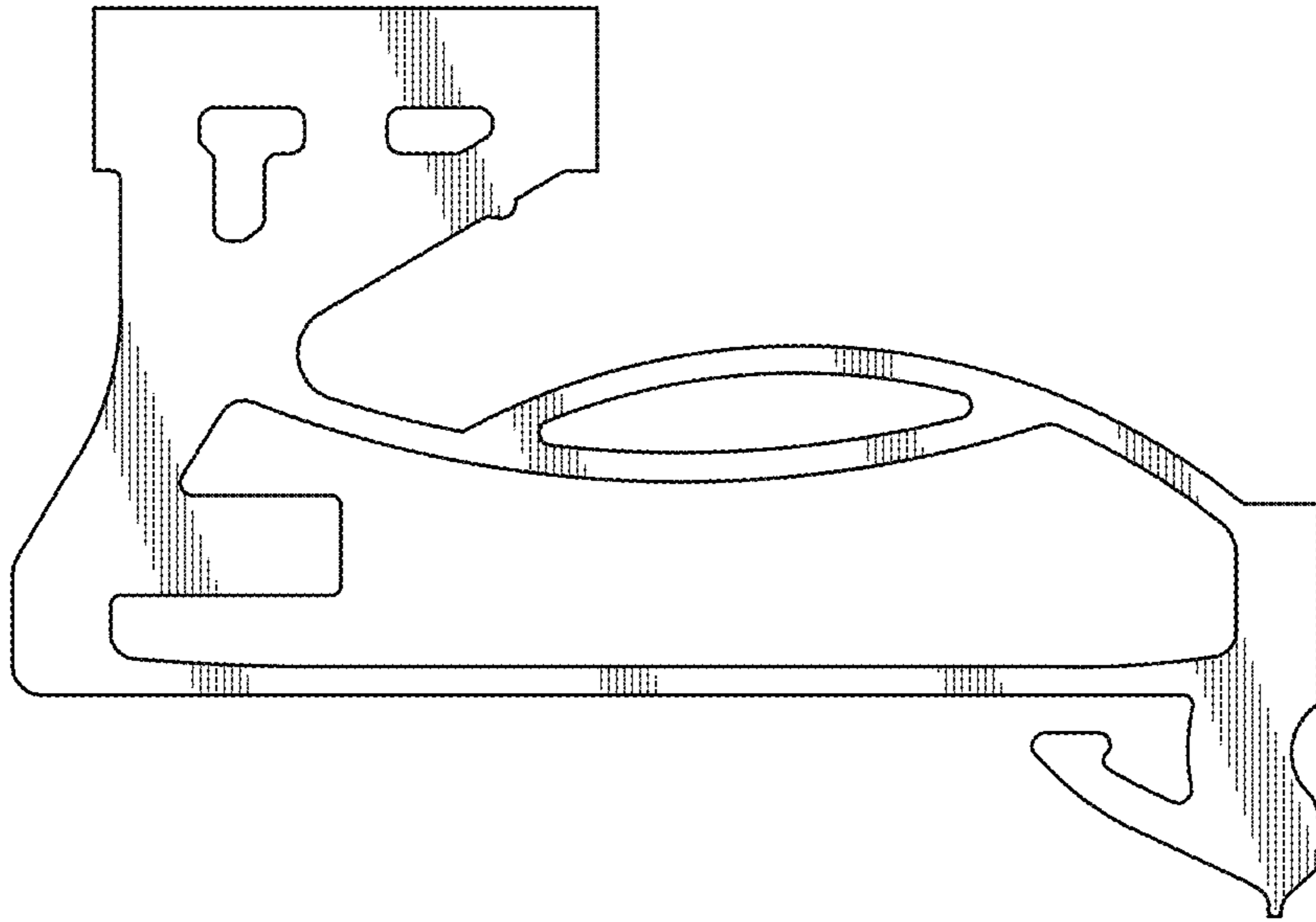


FIG. 3



FIG. 4

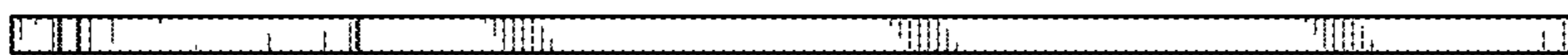


FIG. 5

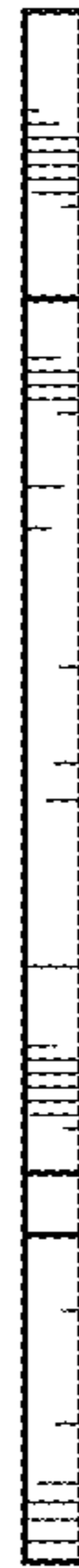


FIG. 6



FIG. 7

UNITED STATES PATENT AND TRADEMARK OFFICE
CERTIFICATE OF CORRECTION

PATENT NO. : D702,646 S
APPLICATION NO. : 29/445455
DATED : April 15, 2014
INVENTOR(S) : Masatomo Uebayashi and Akira Souma

Page 1 of 1

It is certified that error appears in the above-identified patent and that said Letters Patent is hereby corrected as shown below:

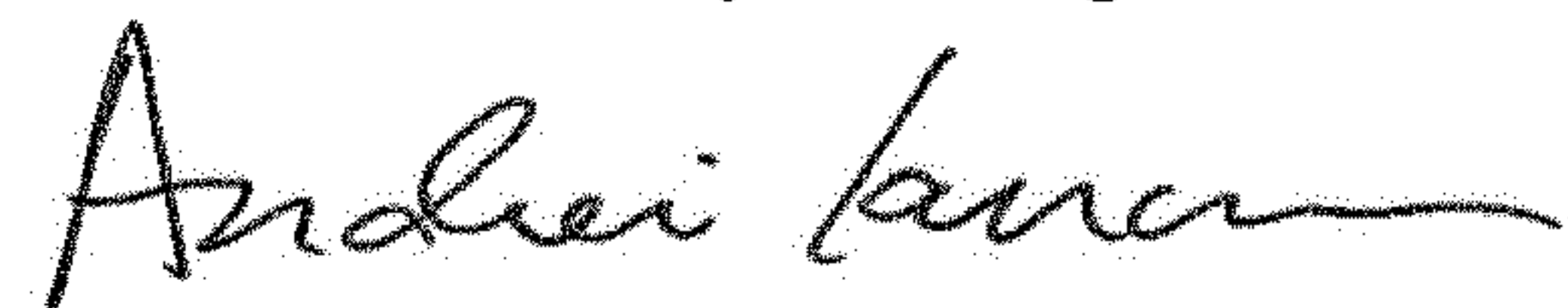
Change assignee from:

“1) Kabushiki Kaisha Nihon Micronics
2) Federal Signal Corporation”

To:

--Kabushiki Kaisha Nihon Micronics--.

Signed and Sealed this
Fourteenth Day of August, 2018



Andrei Iancu
Director of the United States Patent and Trademark Office