



US00D702644S

(12) **United States Design Patent**  
**Tseng**

(10) **Patent No.:** **US D702,644 S**  
(45) **Date of Patent:** **\*\* Apr. 15, 2014**

- (54) **ELECTRIC CONTROLLER**
- (75) Inventor: **Kuan-Shu Tseng**, New Taipei (TW)
- (73) Assignee: **Timotion Technology Co. Ltd.**, New Taipei (TW)
- (\*\*) Term: **14 Years**
- (21) Appl. No.: **29/409,318**
- (22) Filed: **Dec. 21, 2011**
- (51) **LOC (10) Cl.** ..... **13-03**
- (52) **U.S. Cl.**  
USPC ..... **D13/147**
- (58) **Field of Classification Search**  
USPC ..... D13/123, 133, 146, 147, 149, 154, 158,  
D13/159, 184, 199, 162, 162.1, 160;  
D14/256; 439/47, 79, 260, 329, 357,  
439/409, 715, 717, 823, 946, 686, 689,  
439/607.01–607.09, 607.12,  
439/607.16–607.17, 607.28, 607.29,  
439/607.35, 620.04, 620.15, 626, 645, 676,  
439/709, 712, 716, 866, 445, 402, 324, 259,  
439/224, 176, 404, 374, 81, 637, 411, 441,  
439/711, 63, 629; 315/185 S; 361/752, 673;  
336/192; 200/50.32; 174/151  
See application file for complete search history.

- D546,352 S \* 7/2007 Tsou et al. .... D15/143
- D549,663 S \* 8/2007 Tsou et al. .... D13/158
- 7,362,057 B2 \* 4/2008 Lin ..... 315/185 S
- D582,848 S \* 12/2008 Johansson ..... D13/123
- D593,951 S \* 6/2009 Yoon ..... D13/147
- D598,857 S \* 8/2009 Stromiedel et al. .... D13/133
- D598,858 S \* 8/2009 Stromiedel et al. .... D13/133
- D612,810 S \* 3/2010 Bender ..... D13/147
- D613,693 S \* 4/2010 Bender ..... D13/147
- D618,619 S \* 6/2010 Walter ..... D13/147
- D625,270 S \* 10/2010 Schafmeister ..... D13/147
- 7,845,969 B2 \* 12/2010 Stadler et al. .... 439/441

(Continued)

*Primary Examiner* — Jeffrey D Asch  
*Assistant Examiner* — Khawaja Anwar  
(74) *Attorney, Agent, or Firm* — Chun-Ming Shih; HDLS IPR Sevices

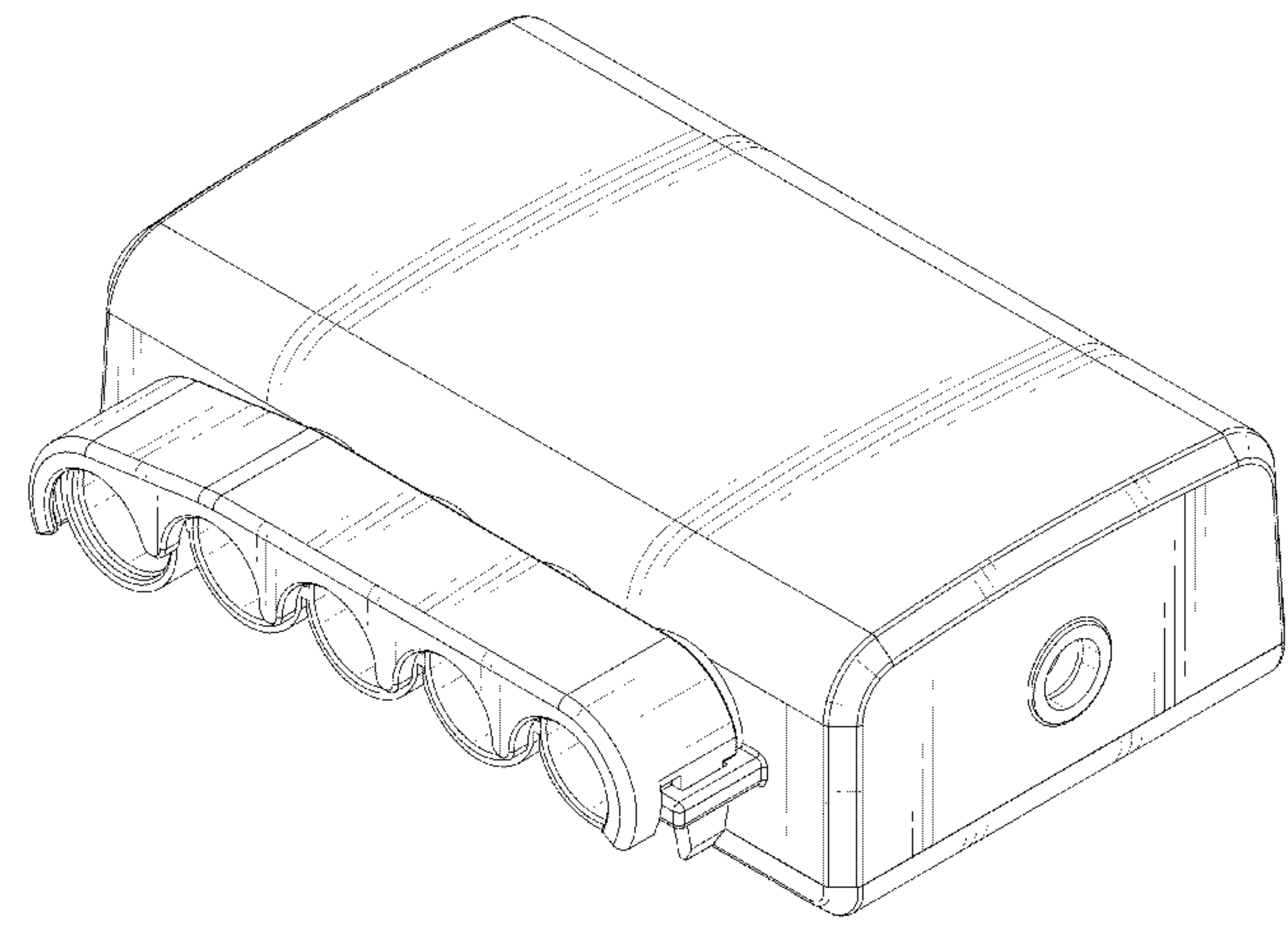
(57) **CLAIM**  
The ornamental design for an electric controller, as shown and described.

**DESCRIPTION**

FIG. 1 is a front, top and right side view of an electric controller showing my new design;  
FIG. 2 is a front view thereof;  
FIG. 3 is a rear view thereof;  
FIG. 4 is a left side view thereof;  
FIG. 5 is a right side view thereof;  
FIG. 6 is a top view thereof;  
FIG. 7 is a bottom view thereof.  
FIG. 8 is another perspective view showing the electric controller.  
FIG. 9 is a front, top and right side view showing the electric controller in an exploded condition; and,  
FIG. 10 a front, top and right side view showing the electric controller in use with environmental broken lines.  
The broken line in FIG. 9 is intended to show the path of separation of the exploded part. The broken line environmental showing in FIG. 10 is for illustrative purposes only and forms no part of the claimed design.

**1 Claim, 10 Drawing Sheets**

- (56) **References Cited**  
U.S. PATENT DOCUMENTS
- 4,159,159 A \* 6/1979 Kaucic et al. .... 439/711
- 4,993,966 A \* 2/1991 Levy ..... 439/411
- D331,224 S \* 11/1992 Robertson ..... D13/147
- 5,241,136 A \* 8/1993 Michaelis et al. .... 174/151
- D344,715 S \* 3/1994 Hsiao et al. .... D13/159
- 5,551,889 A \* 9/1996 Kozel et al. .... 439/404
- 5,700,986 A \* 12/1997 Rurup et al. .... 200/50.32
- 5,726,619 A \* 3/1998 Hohorst et al. .... 336/192
- D396,475 S \* 7/1998 Bradshaw et al. .... D14/256
- D414,466 S \* 9/1999 Bradshaw et al. .... D13/147
- 6,146,181 A \* 11/2000 Plaza ..... 439/357
- D475,973 S \* 6/2003 Xu et al. .... D13/147



(56)

**References Cited**

U.S. PATENT DOCUMENTS

D641,703 S \* 7/2011 Severing ..... D13/146  
D669,440 S \* 10/2012 Wu ..... D13/162  
D676,391 S \* 2/2013 Gassauer ..... D13/147

D679,258 S \* 4/2013 Moore et al. .... D13/162.1  
2009/0068863 A1 \* 3/2009 Walter ..... 439/81  
2009/0269985 A1 \* 10/2009 Stadler et al. .... 439/629  
2013/0155633 A1 \* 6/2013 Tseng ..... 361/752

\* cited by examiner

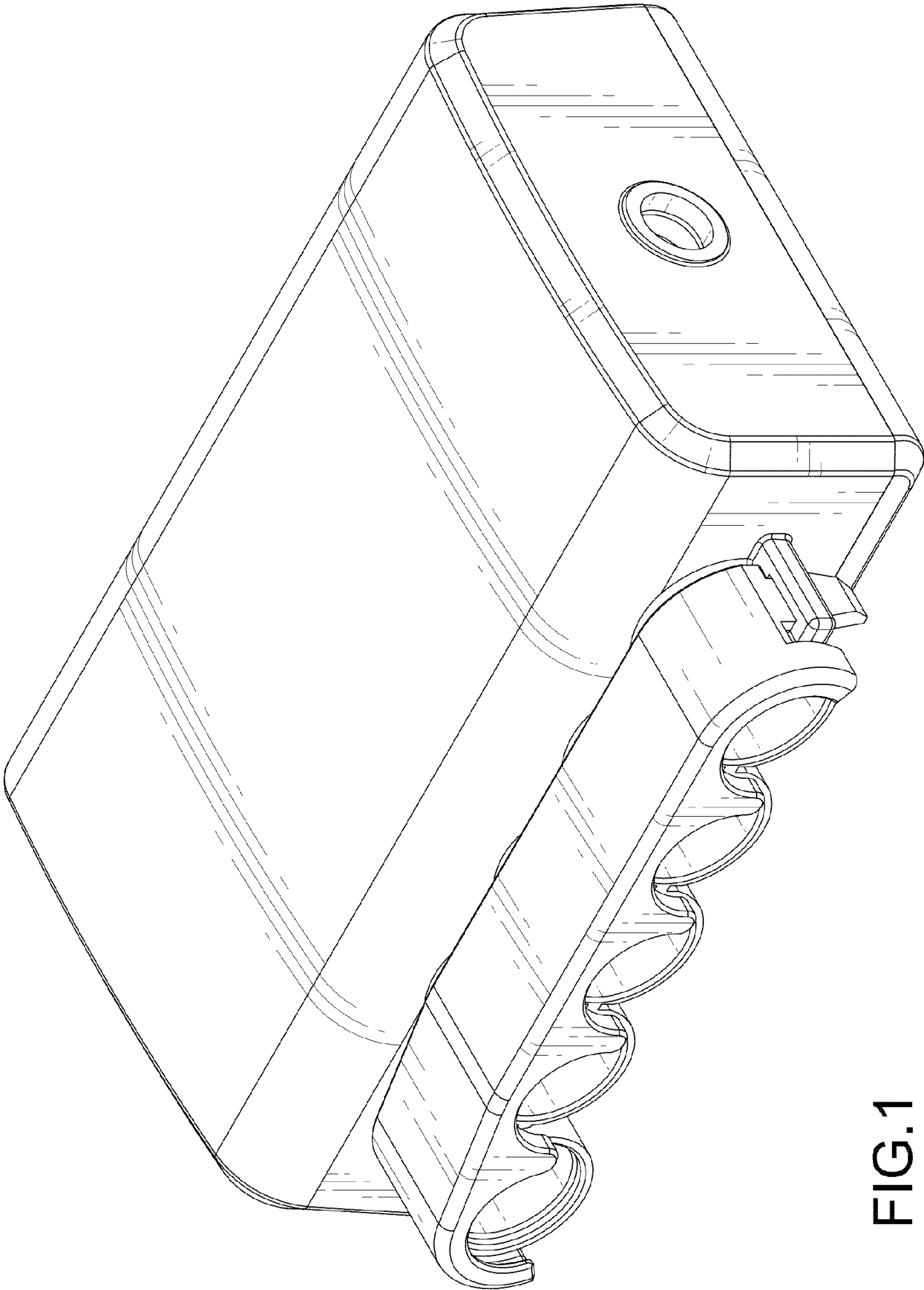


FIG.1

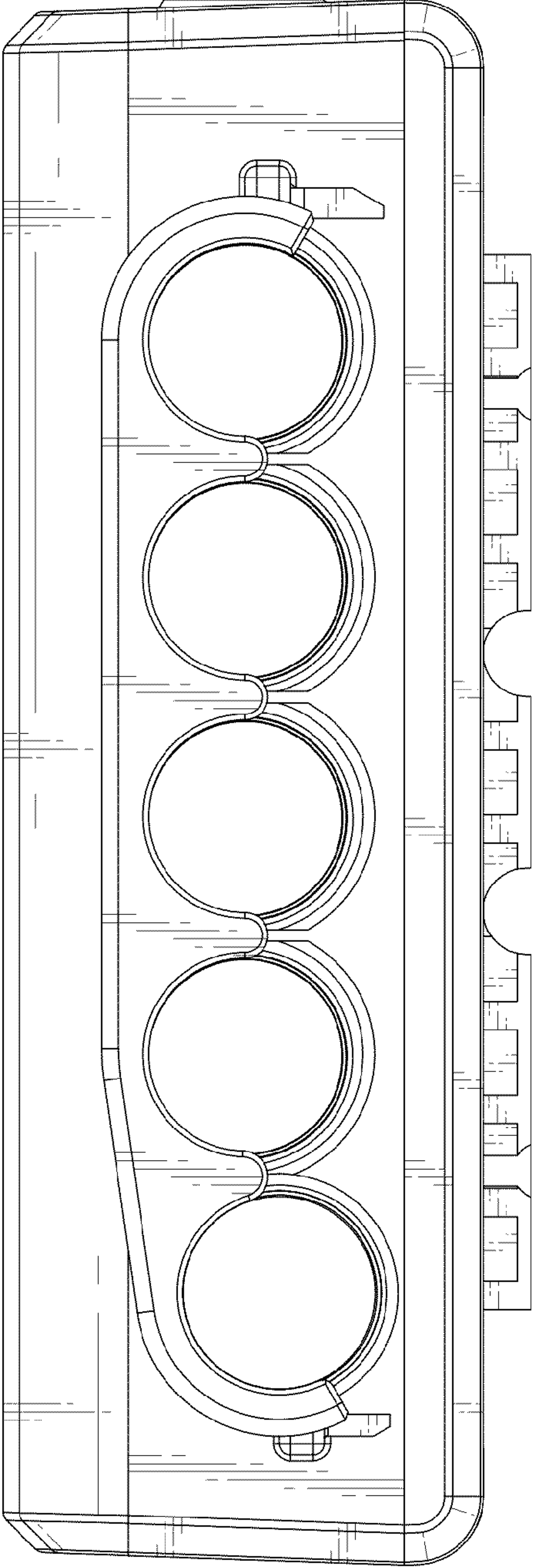


FIG.2



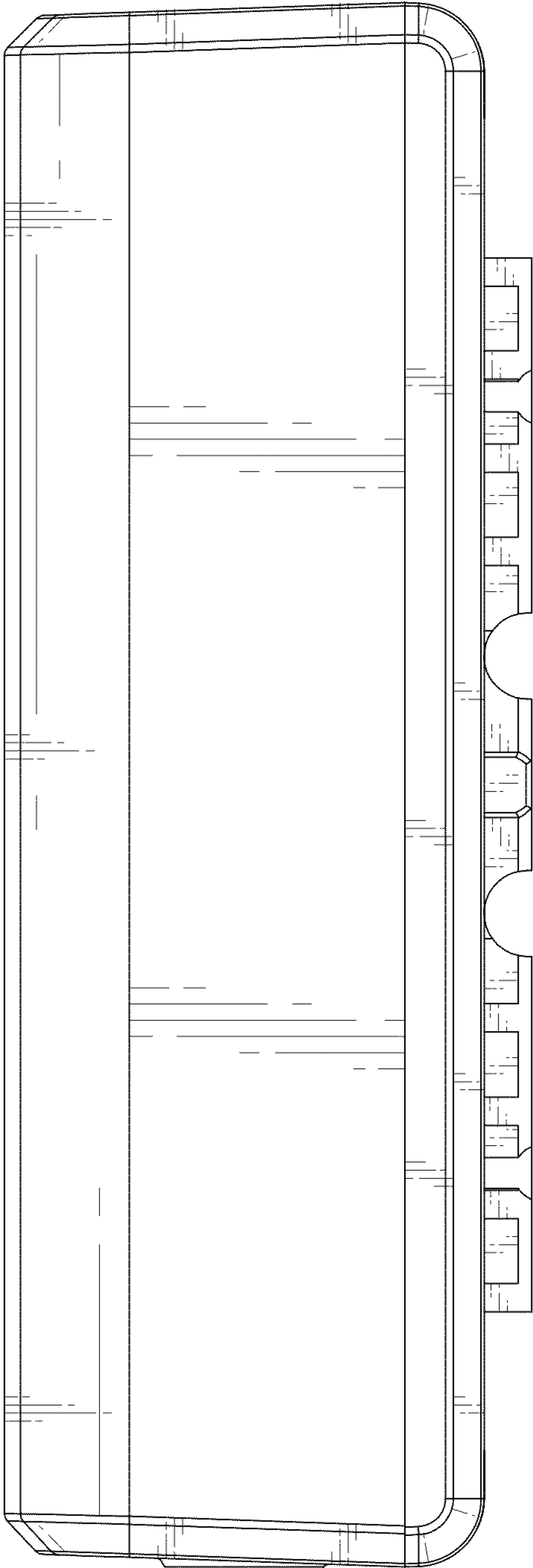


FIG.3

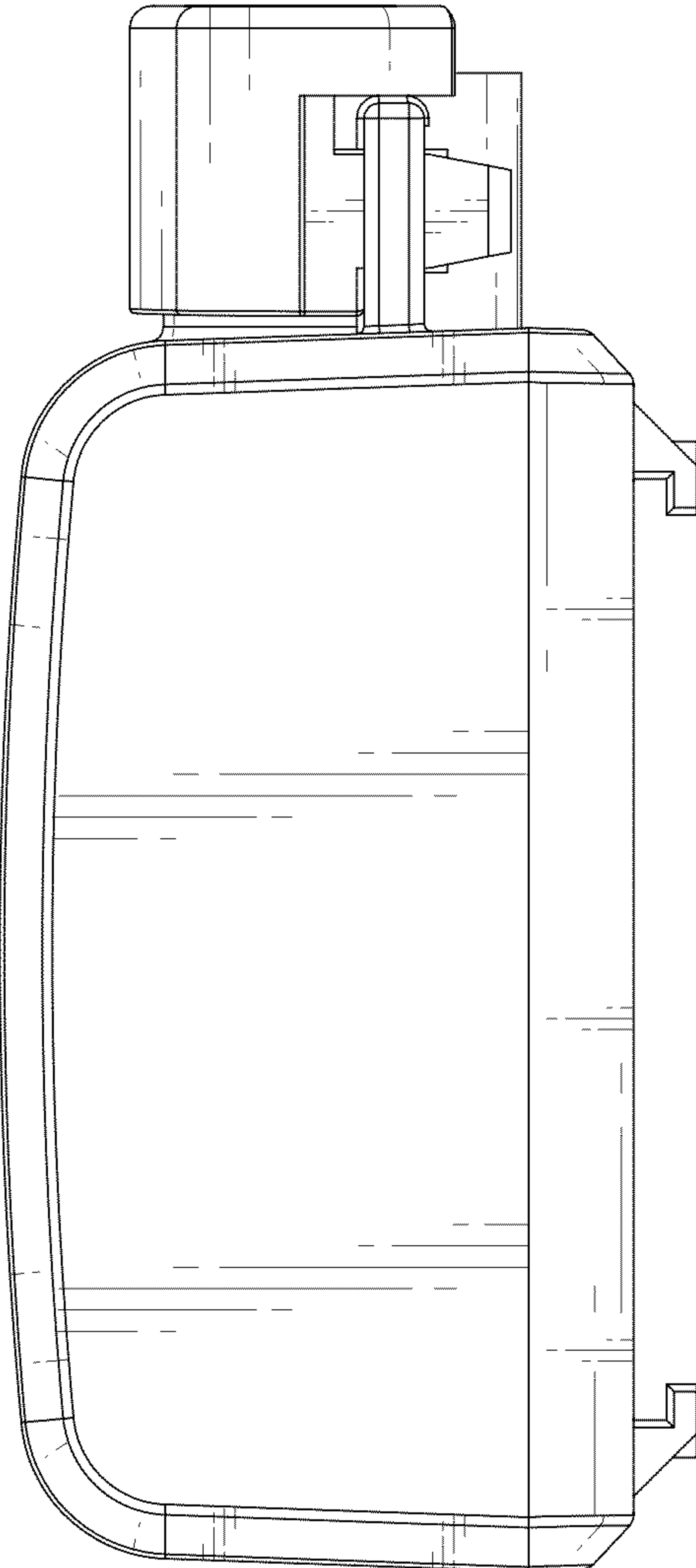


FIG.4

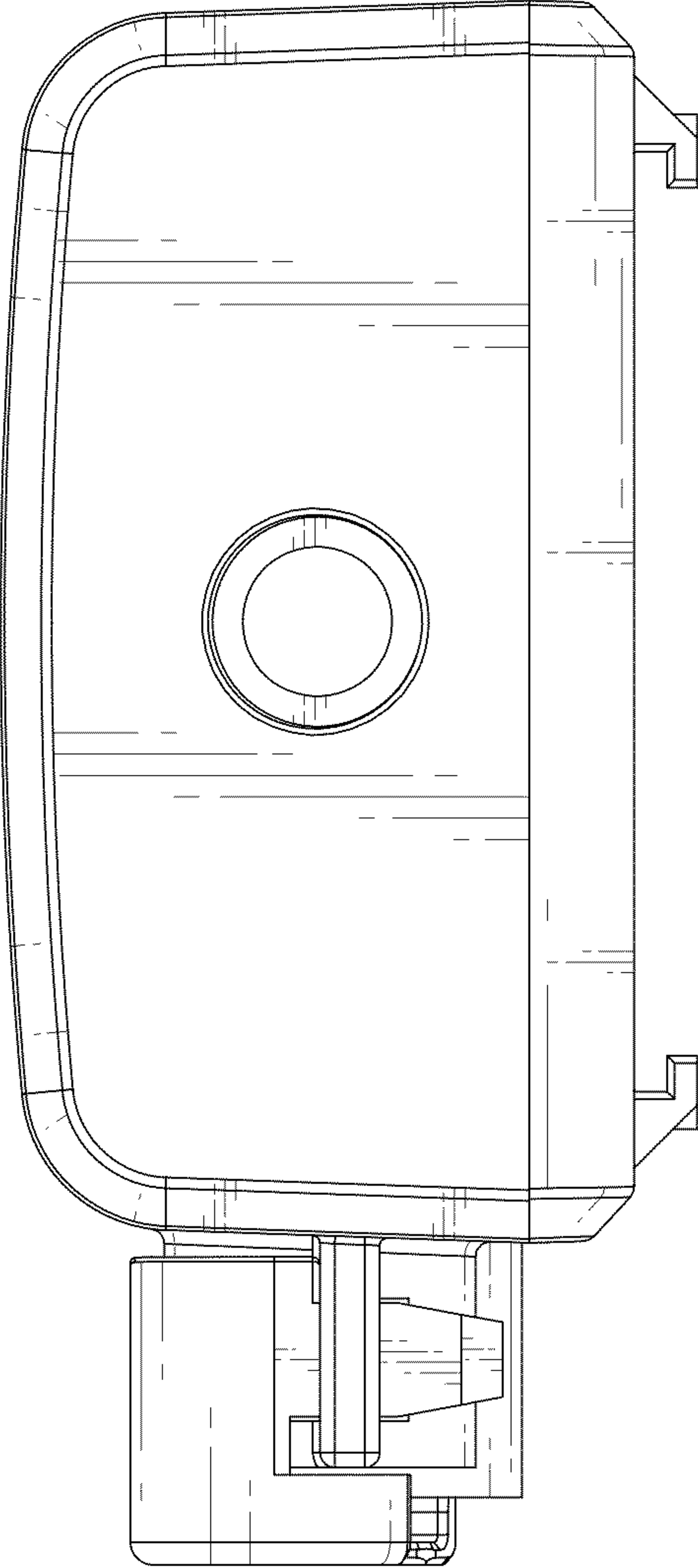


FIG.5

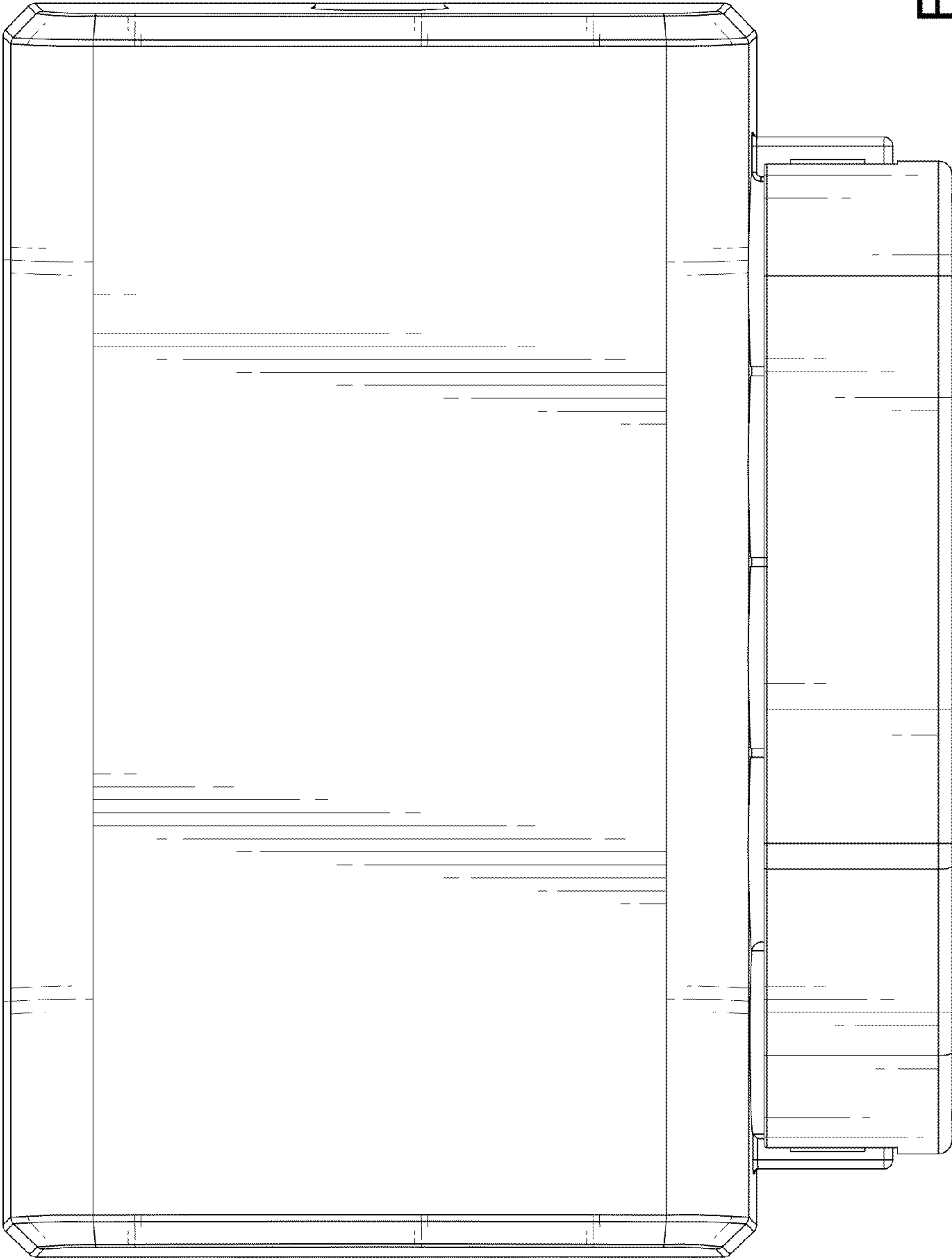


FIG.6



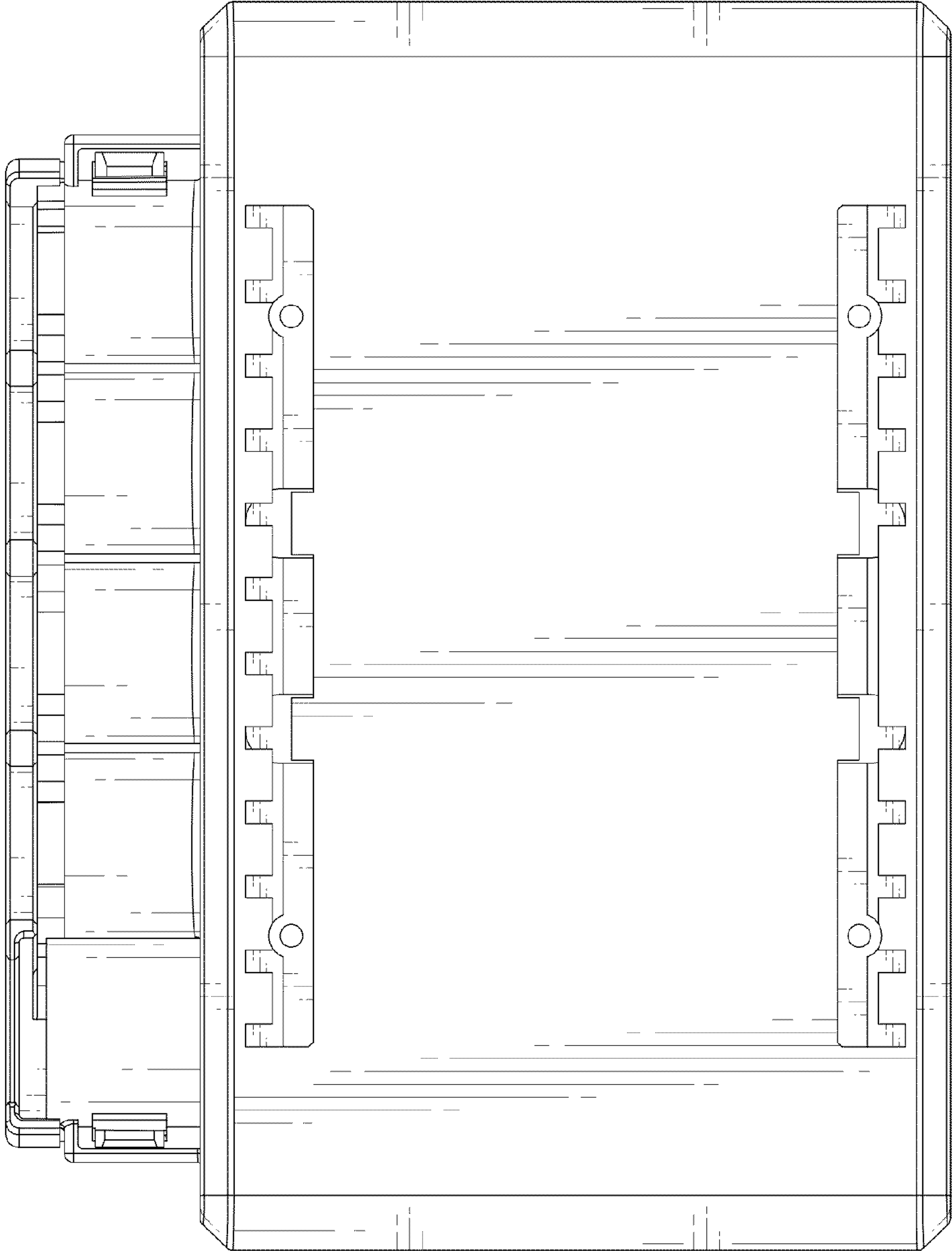


FIG. 7

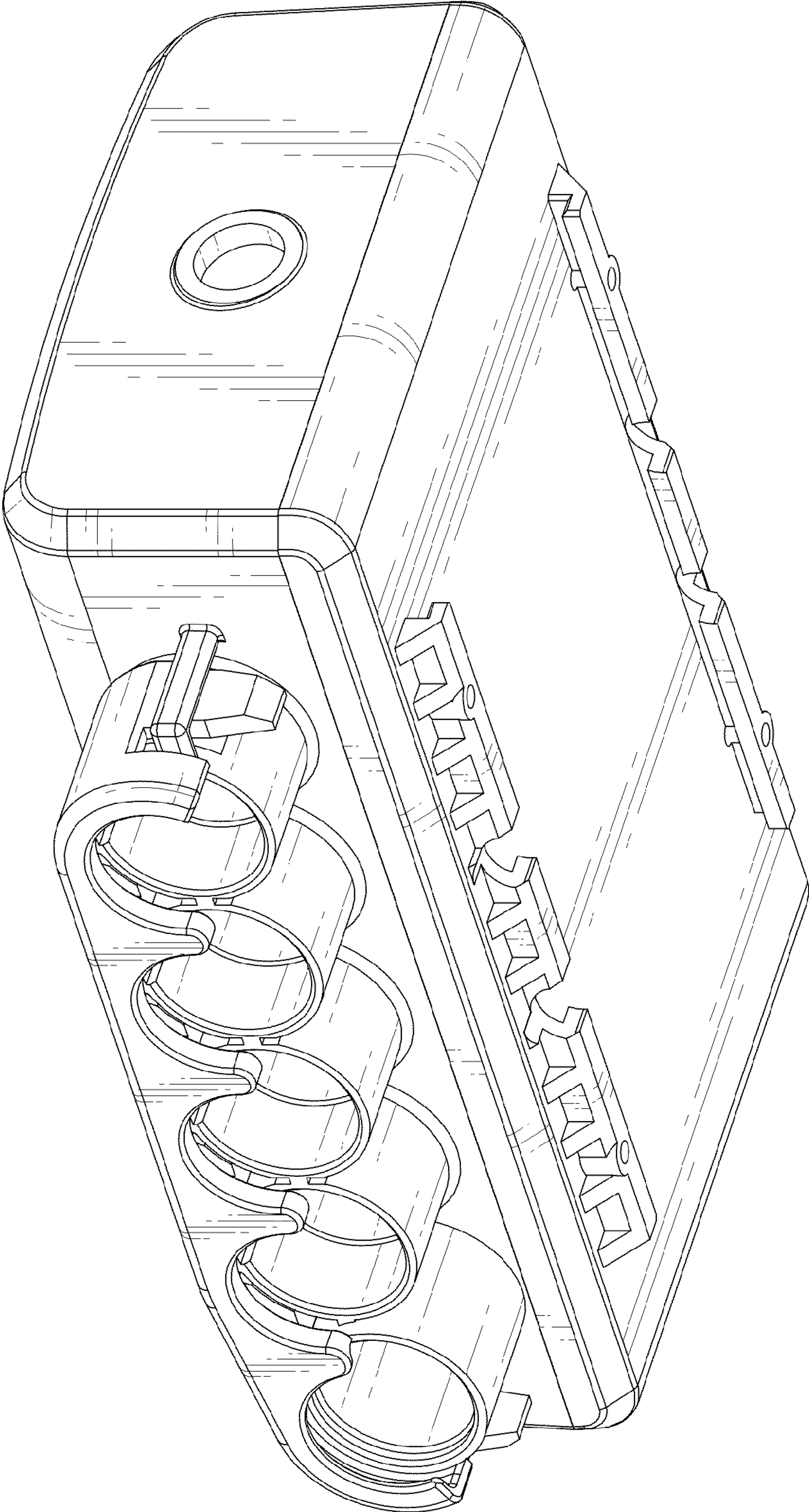


FIG.8

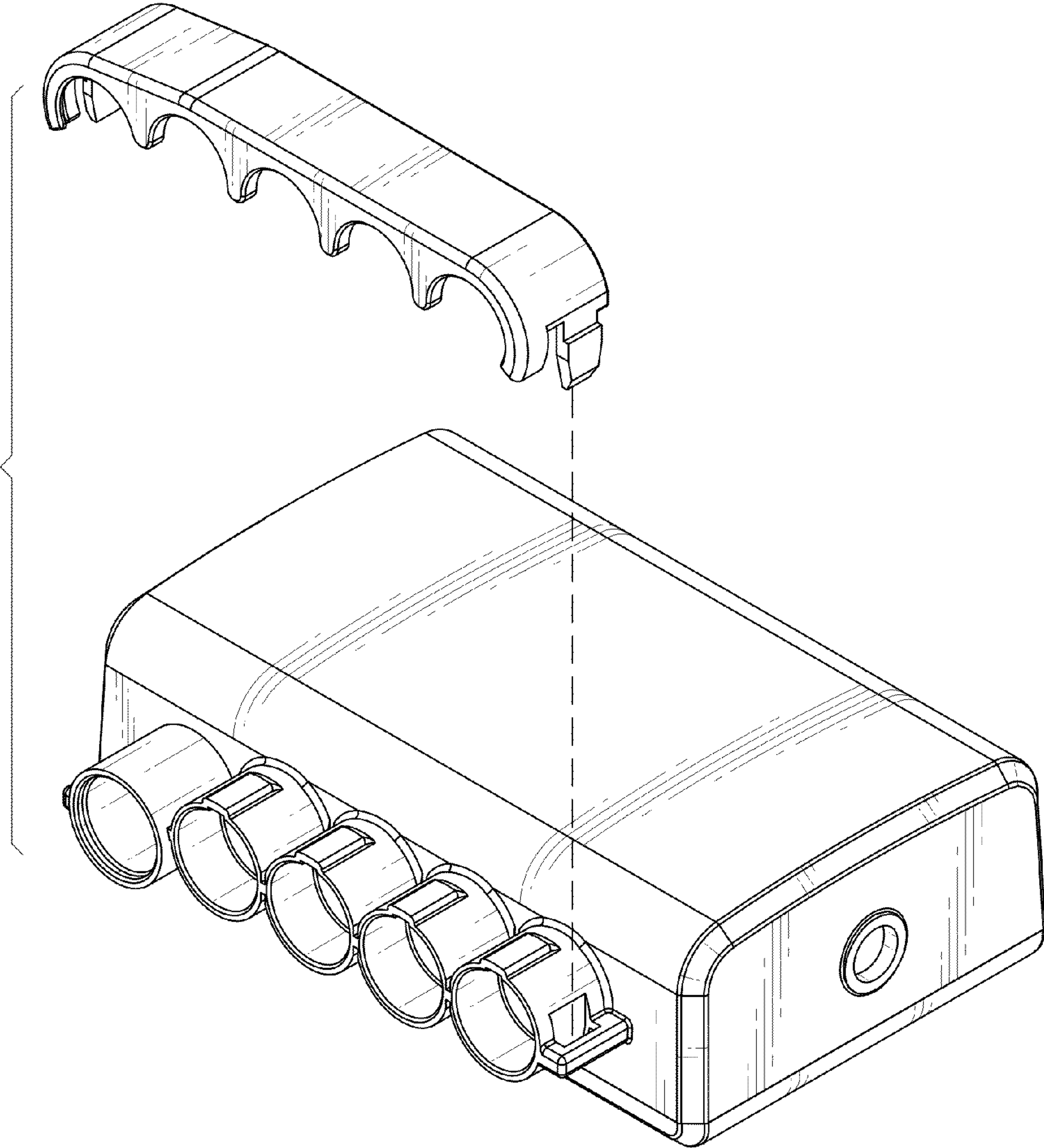


FIG.9

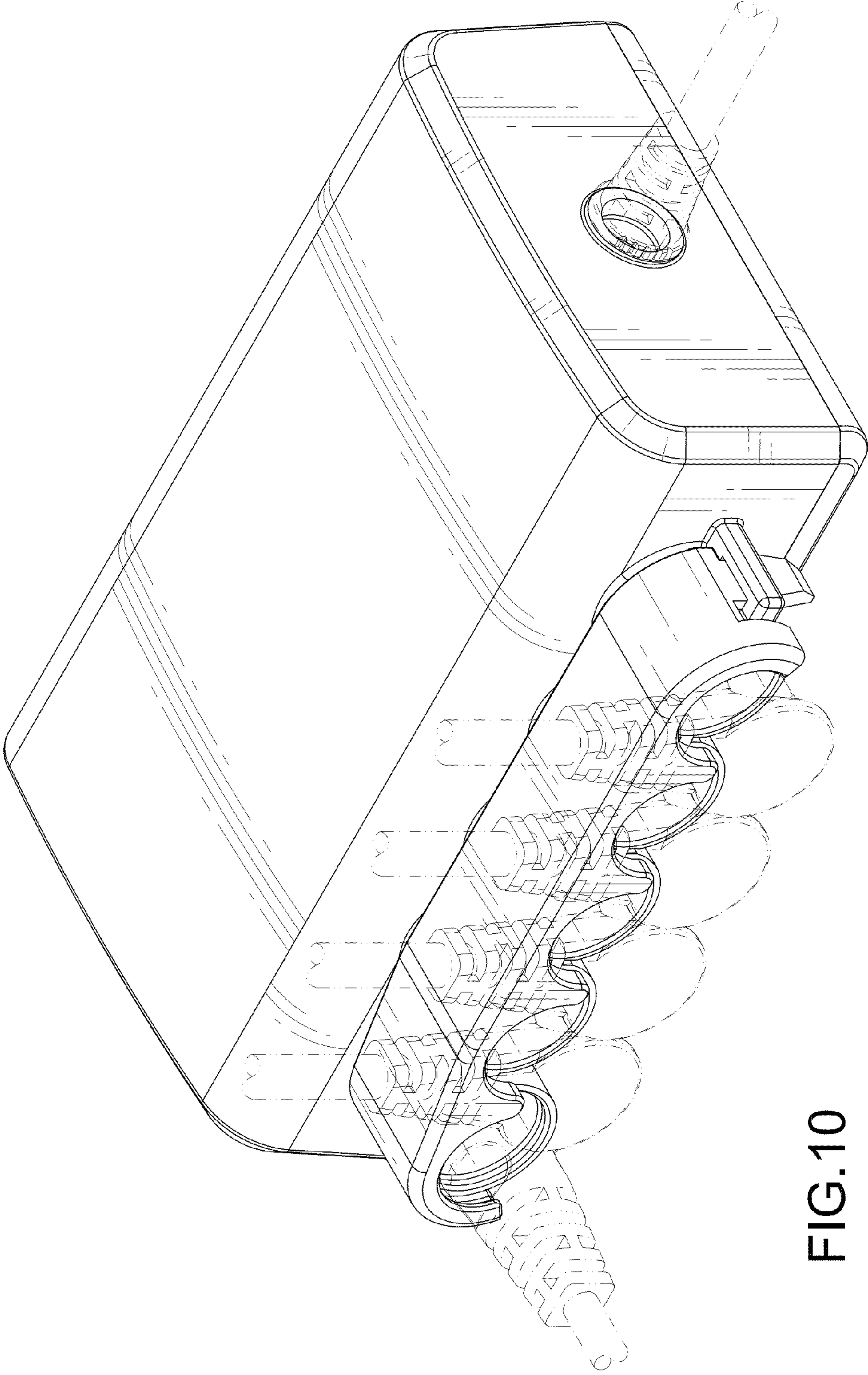


FIG.10