



US00D702643S

(12) **United States Design Patent**  
**Ozeki et al.**

(10) **Patent No.:** **US D702,643 S**  
(45) **Date of Patent:** **\*\* Apr. 15, 2014**

(54) **ELECTRICAL CONNECTOR**

(75) Inventors: **Kosuke Ozeki**, Machida (JP); **Masataka Muro**, Machida (JP)

(73) Assignee: **Dai-Ichi Seiko Co., Ltd.**, Kyoto (JP)

(\*\*) Term: **14 Years**

(21) Appl. No.: **29/391,896**

(22) Filed: **May 13, 2011**

(30) **Foreign Application Priority Data**

Nov. 22, 2010 (JP) ..... D2010-027914  
May 11, 2011 (JP) ..... D2011-010542  
May 11, 2011 (JP) ..... D2011-010543

(51) **LOC (10) Cl.** ..... **13-03**

(52) **U.S. Cl.**  
USPC ..... **D13/147**

(58) **Field of Classification Search**

USPC ..... D13/147, 154, 184, 199; 439/74, 79,  
439/260, 329, 357, 395, 422, 492-499,  
439/607.01, 607.04, 607.05, 607.17,  
439/607.25, 607.34, 607.41, 607.53, 629,  
439/630, 660, 680, 686, 946

See application file for complete search history.

(56) **References Cited**

**U.S. PATENT DOCUMENTS**

D507,534 S \* 7/2005 Takahiro ..... D13/147  
D627,737 S \* 11/2010 Qu et al. .... D13/147  
D629,759 S 12/2010 Hara  
D641,321 S \* 7/2011 Ngo ..... D13/147  
D654,029 S \* 2/2012 Ozeki ..... D13/147

**FOREIGN PATENT DOCUMENTS**

JP D1403816 11/2010

**OTHER PUBLICATIONS**

U.S. Appl. No. 29/434,816, filed Oct. 17, 2012, Ozeki.

\* cited by examiner

*Primary Examiner* — Daniel Bui

(74) *Attorney, Agent, or Firm* — Oblon, Spivak, McClelland, Maier & Neustadt, L.L.P.

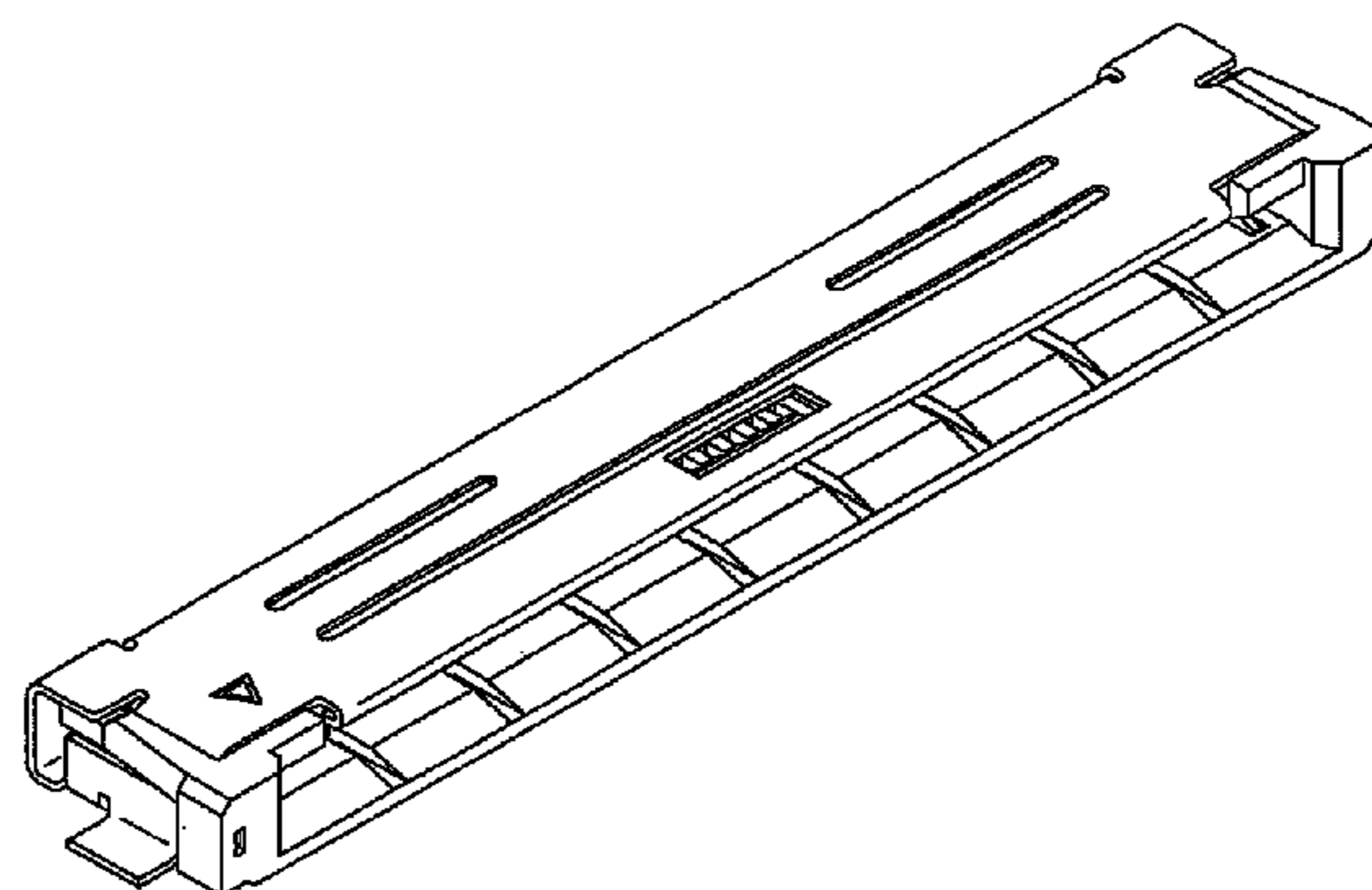
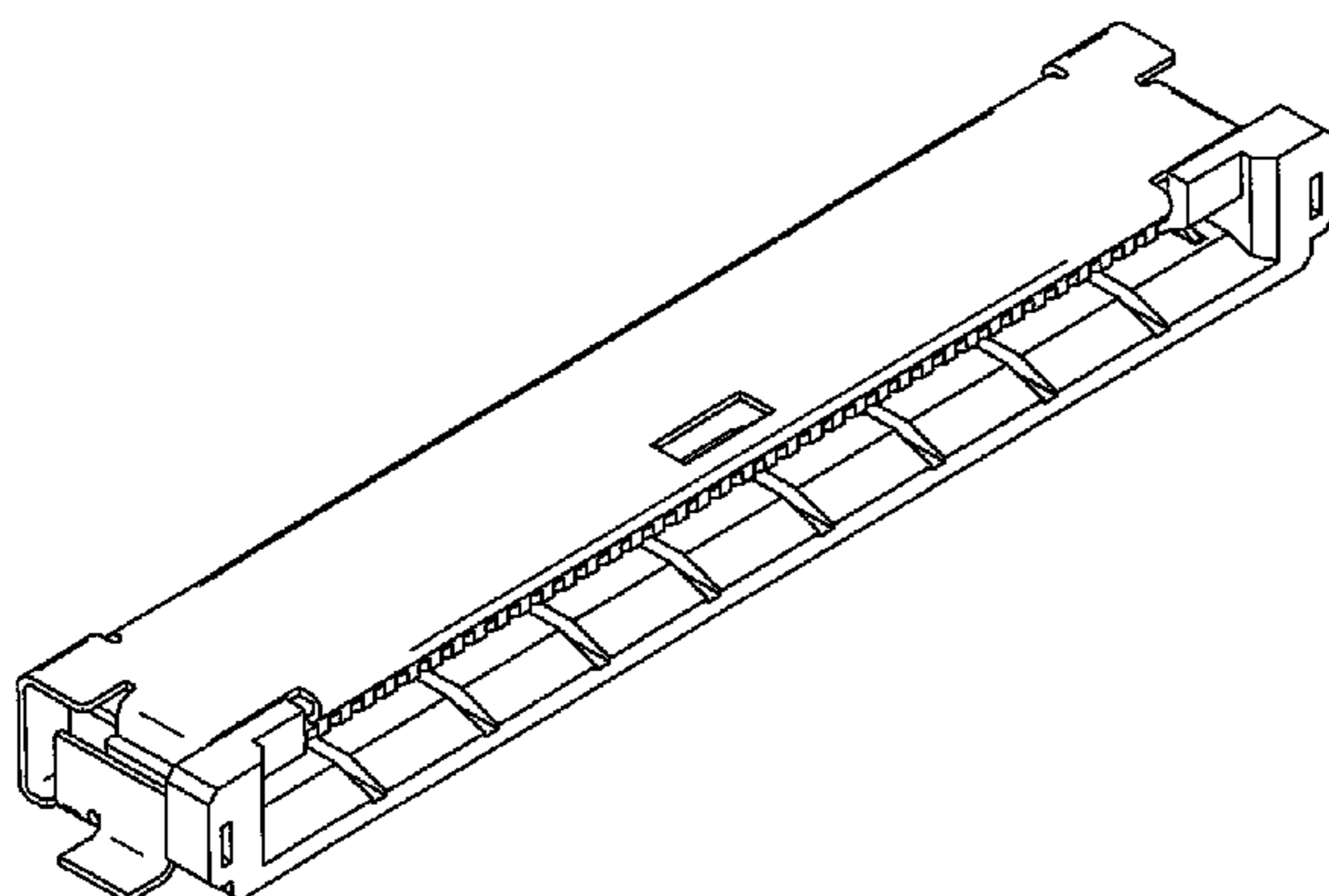
(57) **CLAIM**

The ornamental design for an electrical connector, as shown and described.

**DESCRIPTION**

FIG. 1 is a front elevational view of an electrical connector of the first embodiment showing our new design;  
FIG. 2 is a top plan view thereof;  
FIG. 3 is a rear elevational view thereof;  
FIG. 4 is a bottom plan view thereof;  
FIG. 5 is a right side elevational view thereof;  
FIG. 6 is a front, top, and left side perspective view thereof;  
FIG. 7 is a rear, top, and right side perspective view thereof;  
FIG. 8 is a front, top, and left side perspective view thereof in a use condition,  
FIG. 9 is a front elevational view of an electrical connector of the second embodiment showing our new design;  
FIG. 10 is a top plan view thereof;  
FIG. 11 is a rear elevational view thereof;  
FIG. 12 is a bottom plan view thereof;  
FIG. 13 is a right side elevational view thereof;  
FIG. 14 is a front, top, and left side perspective view thereof;  
FIG. 15 is a rear, top, and right side perspective view thereof;  
and,  
FIG. 16 is a front, top, and left side perspective view thereof in a use condition.  
The broken lines in the drawings depict environmental subject matter only and form no part of the claimed design.

**1 Claim, 16 Drawing Sheets**



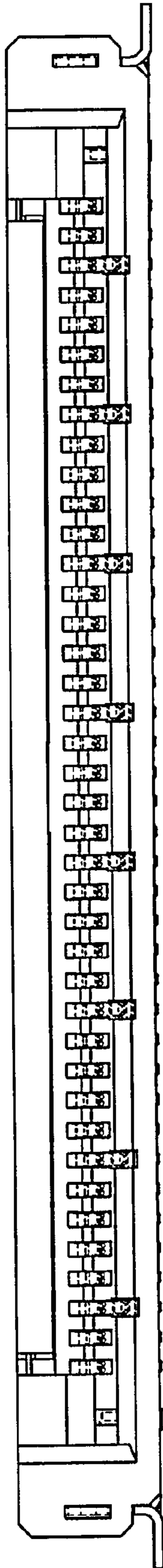


FIG. 1

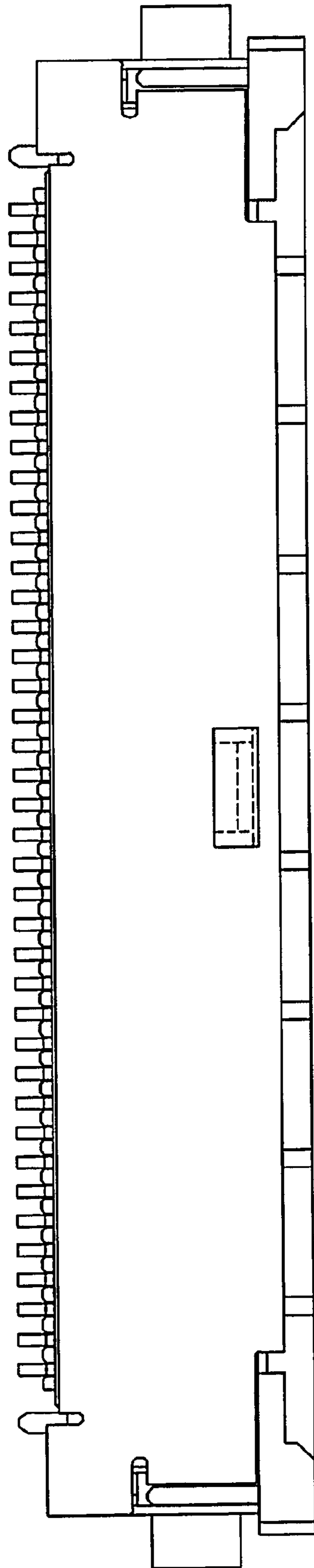


FIG.2

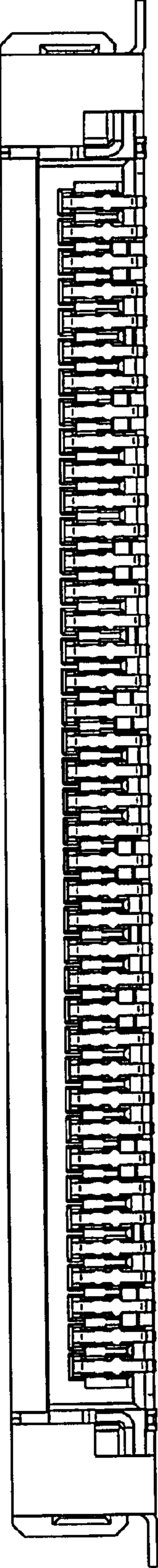


FIG.3

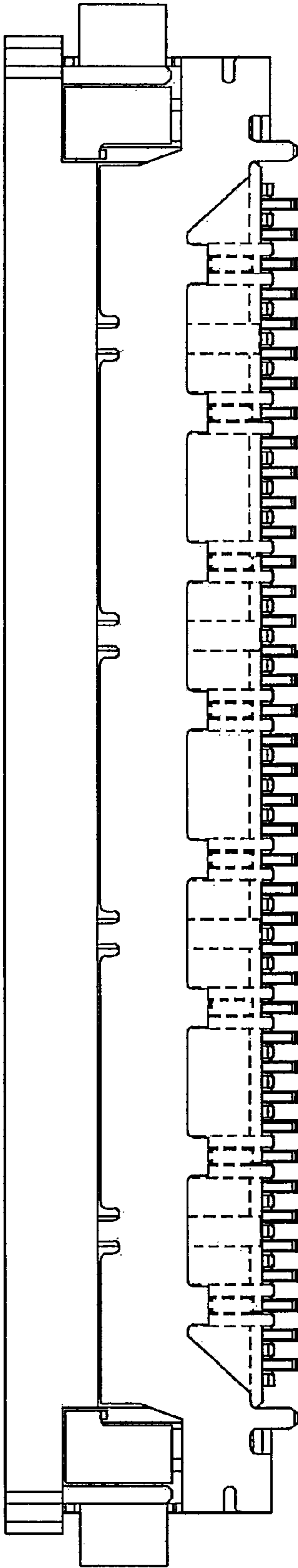


FIG.4

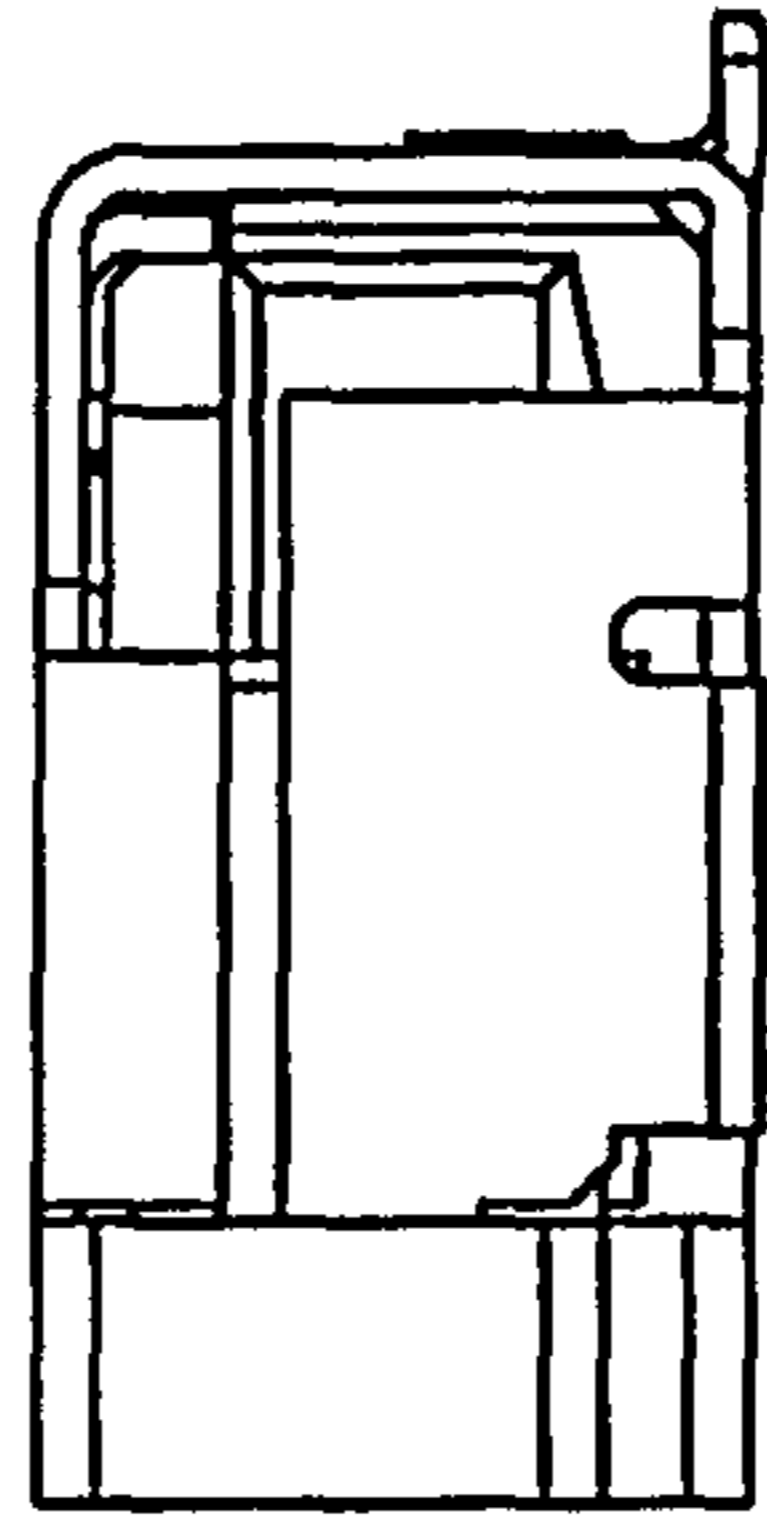


FIG.5

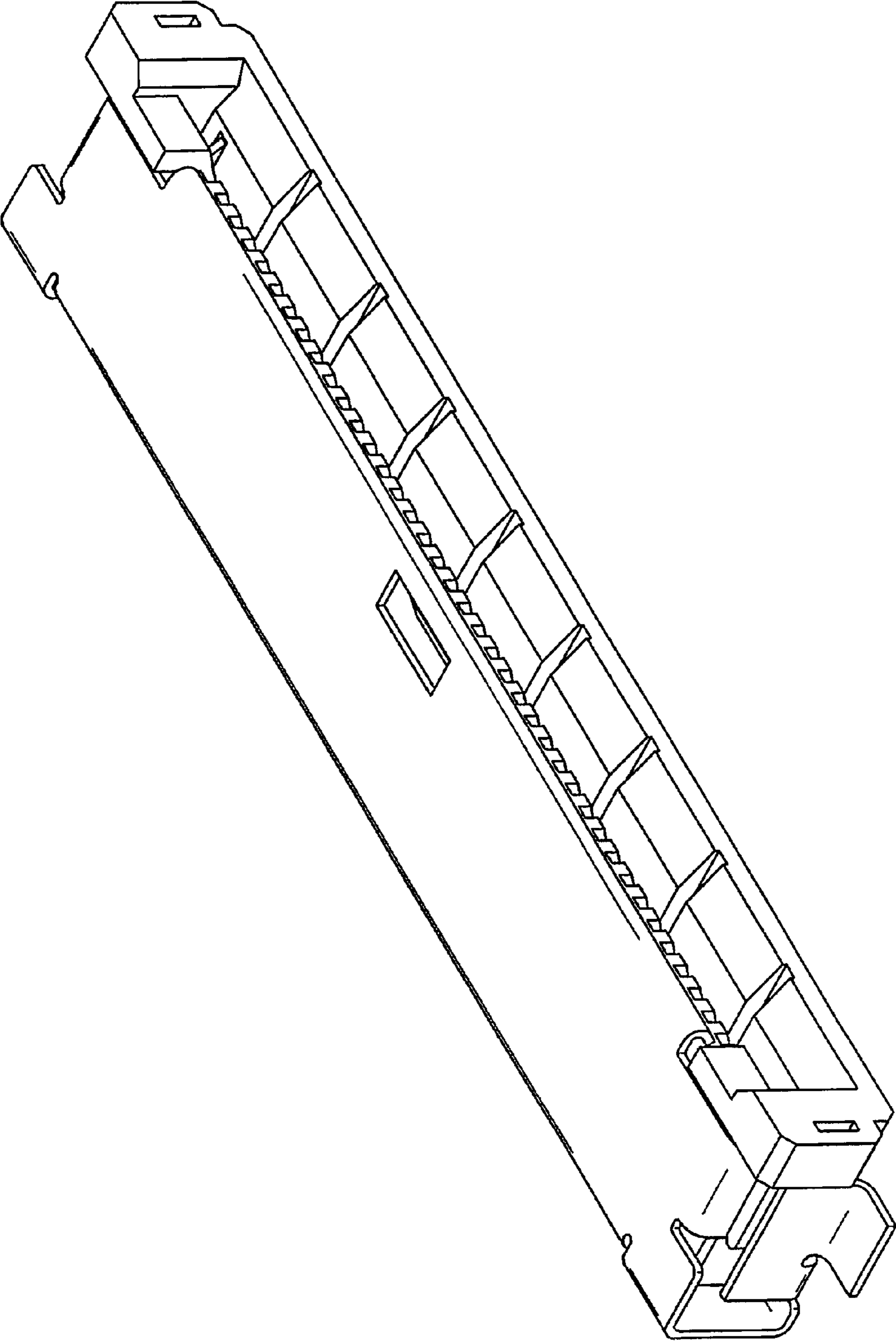


FIG.6

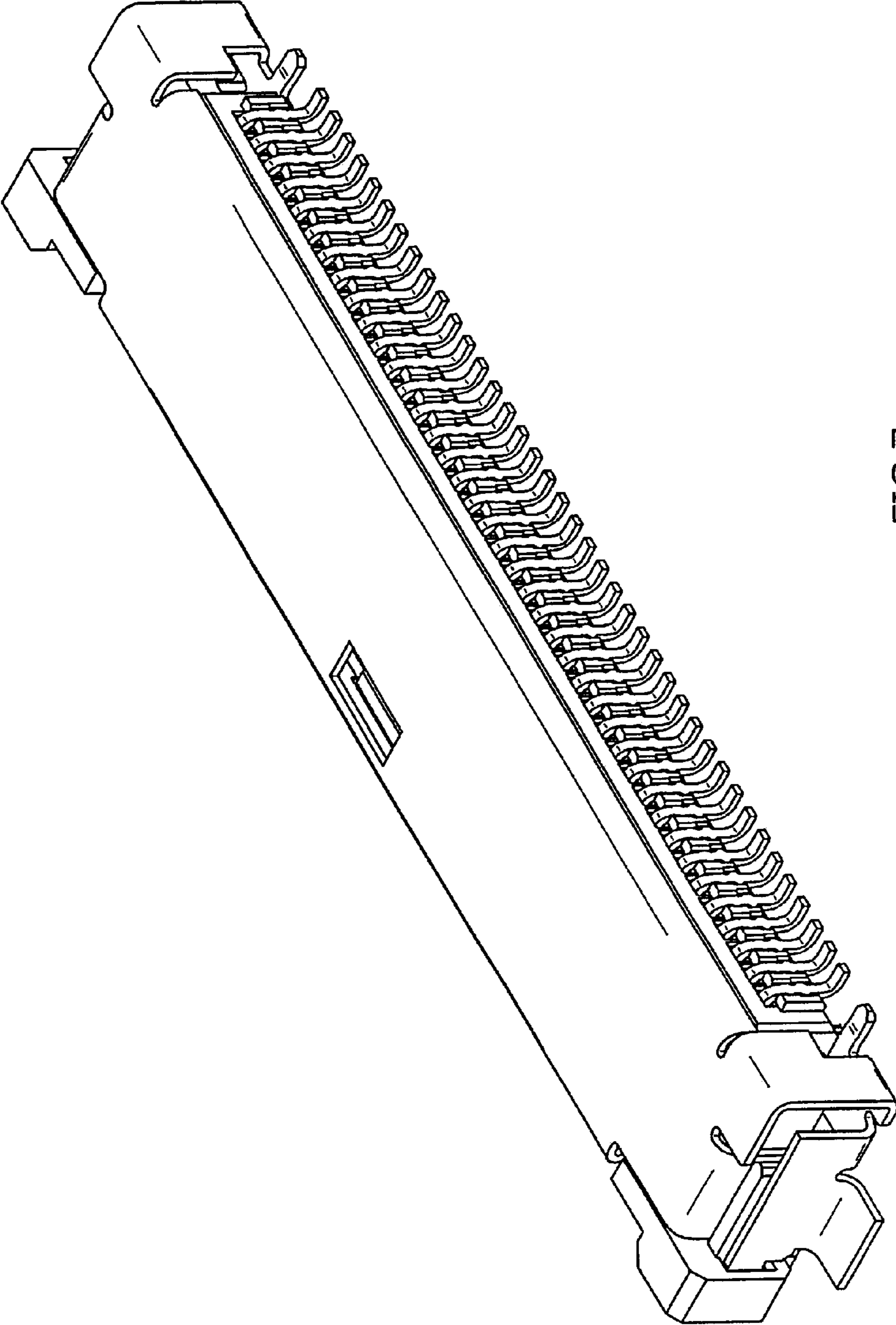


FIG.7



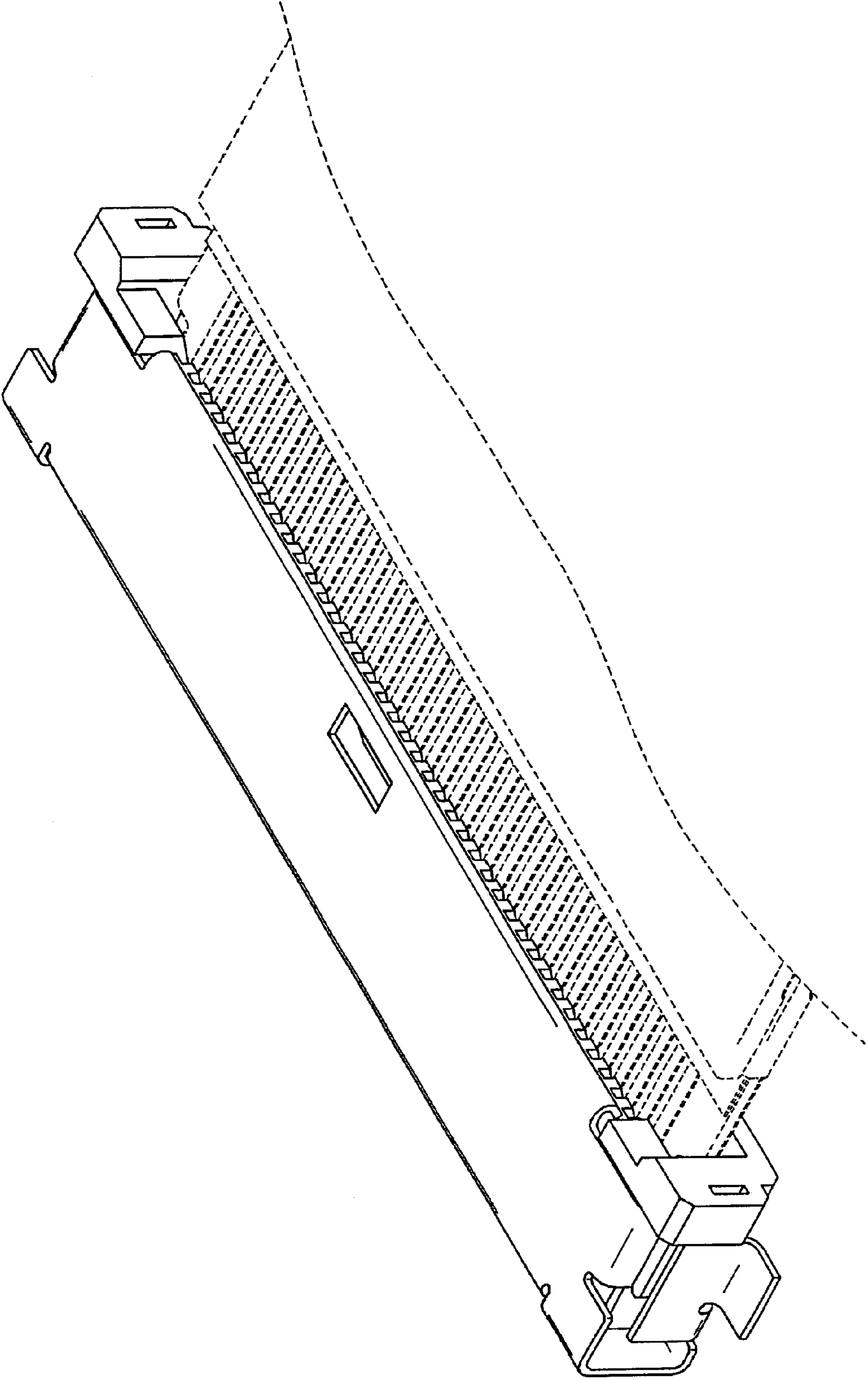


FIG.8

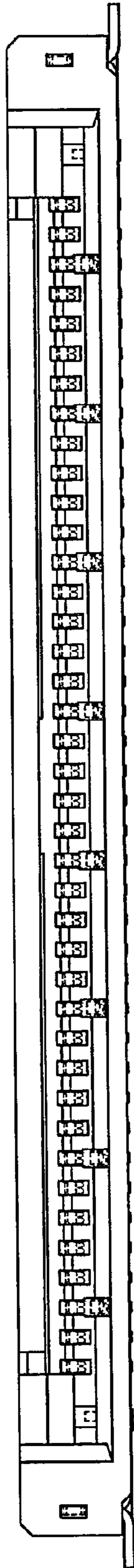


FIG.9

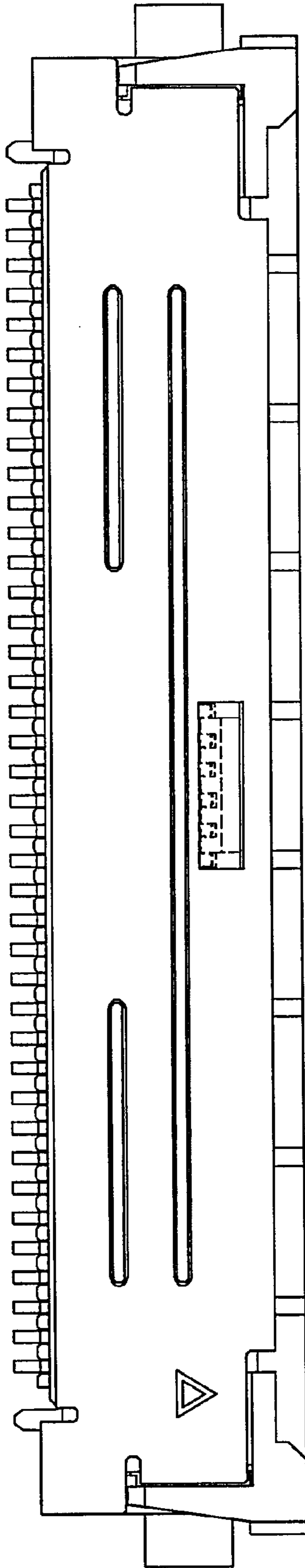


FIG.10

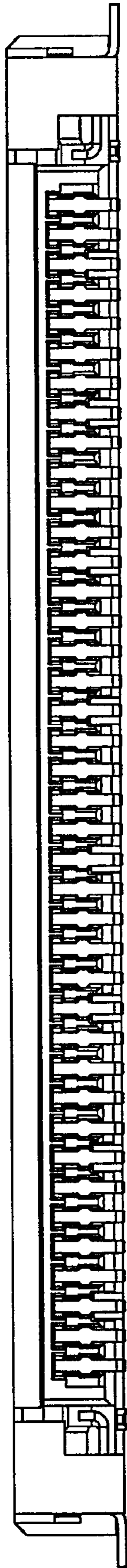


FIG.11

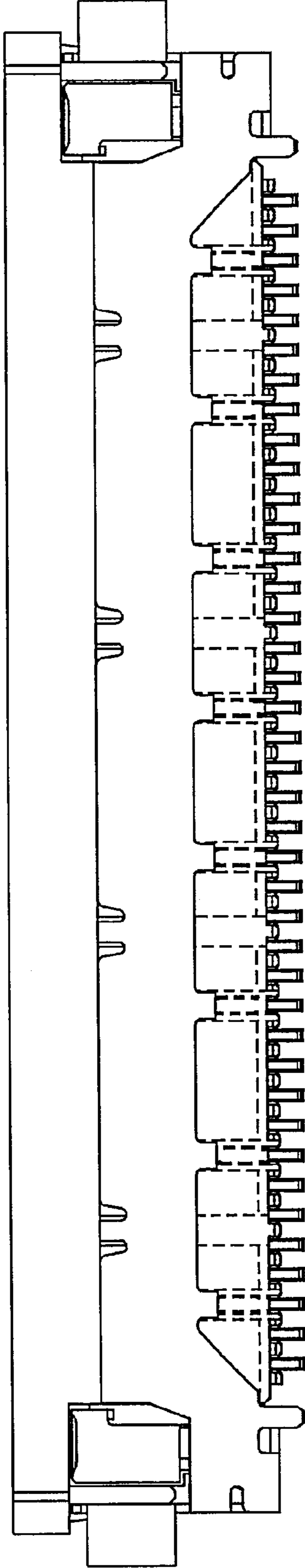


FIG.12

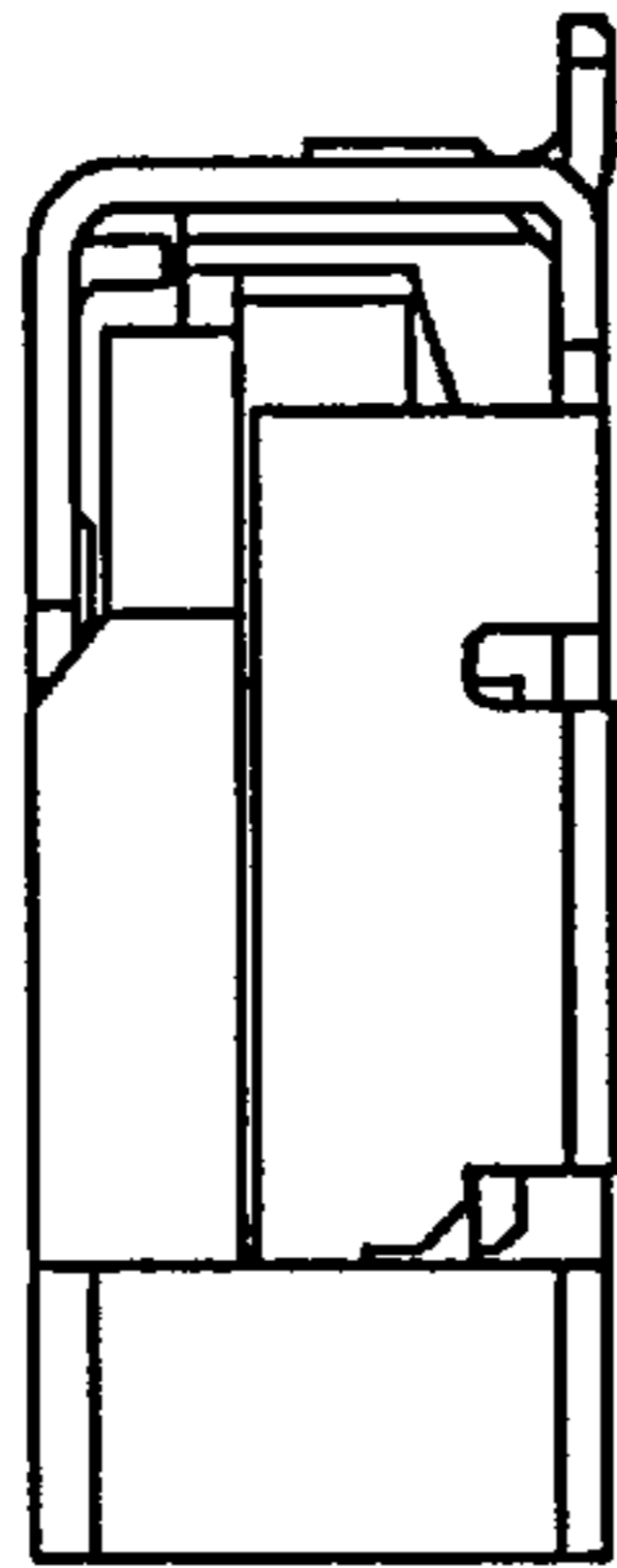


FIG.13

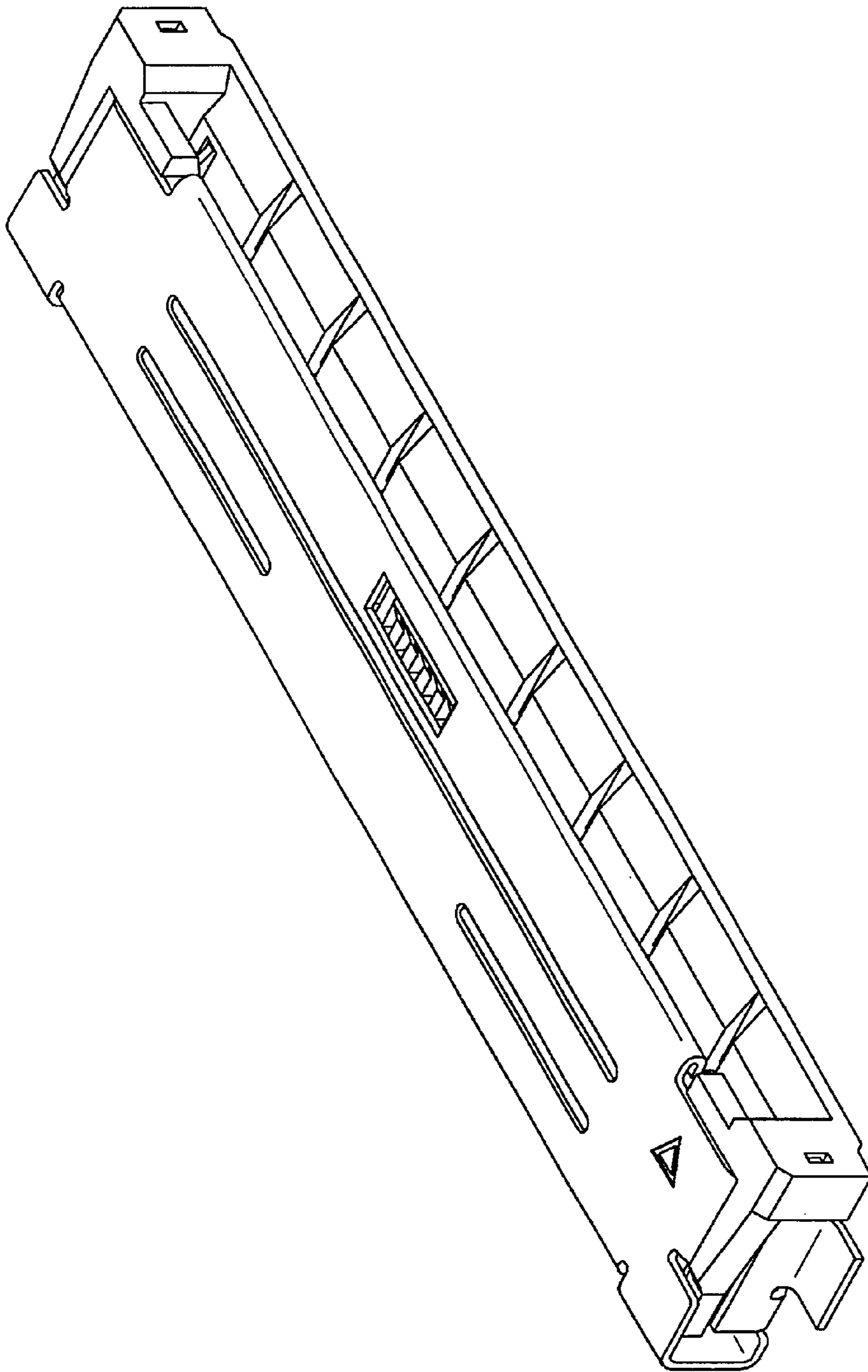


FIG.14

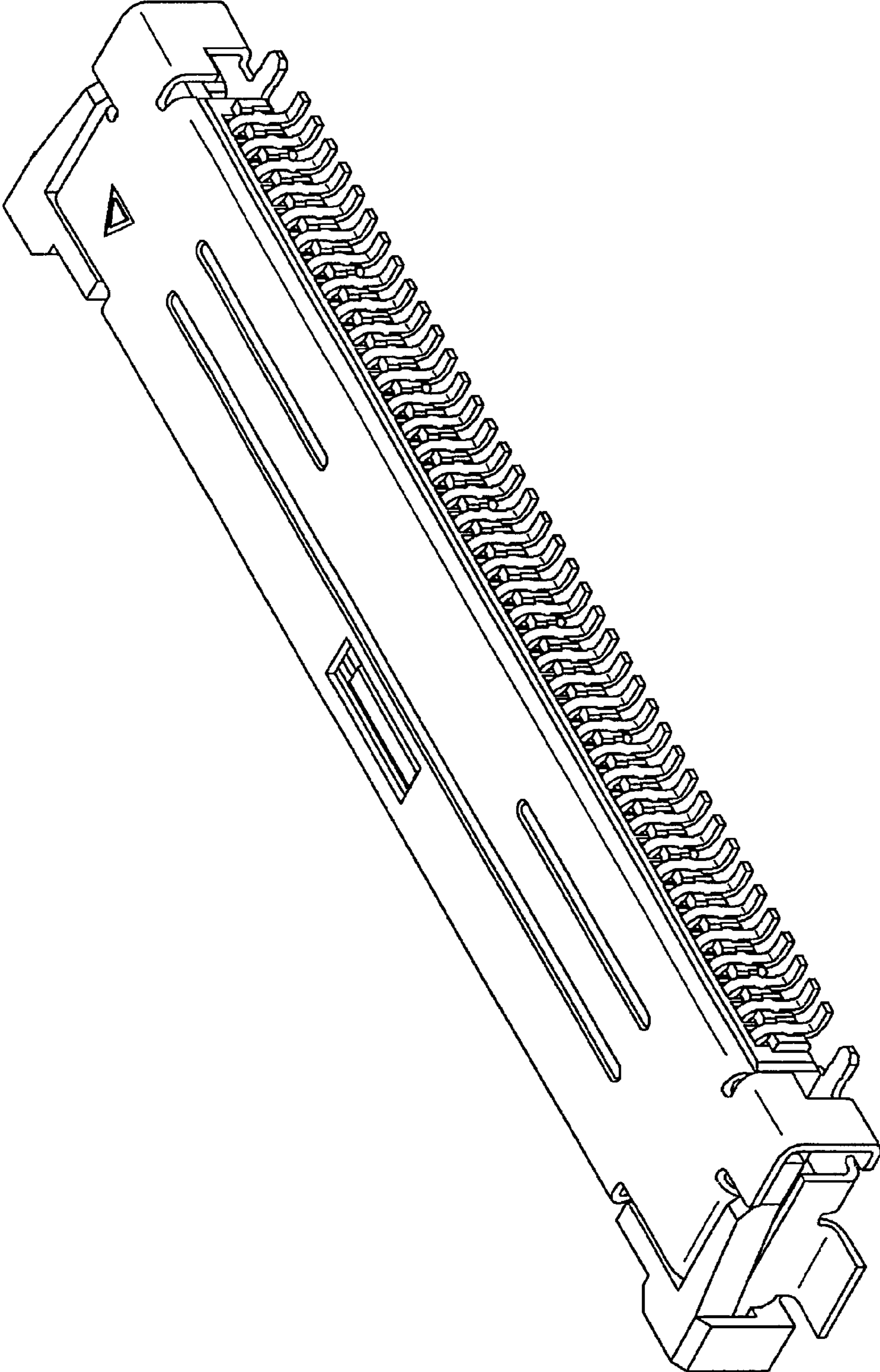


FIG.15



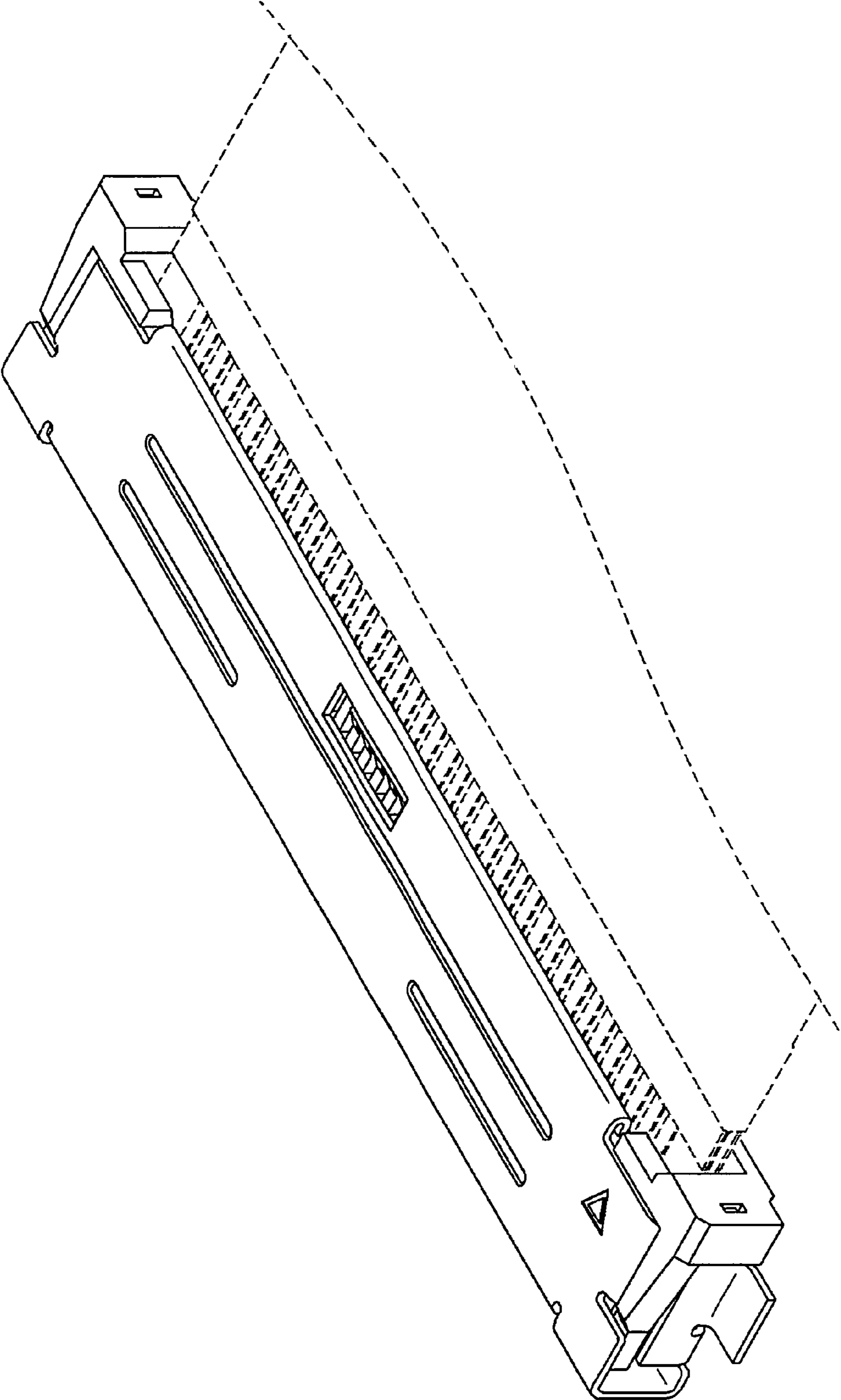


FIG.16