



US00D702639S

(12) **United States Design Patent**
Ruffner

(10) **Patent No.:** **US D702,639 S**
(45) **Date of Patent:** **** Apr. 15, 2014**

(54) **POWER CONNECTOR**

(76) Inventor: **Walter Ruffner**, Jolly Harbour (CH)

(**) Term: **14 Years**

(21) Appl. No.: **29/417,603**

(22) Filed: **Apr. 5, 2012**

Related U.S. Application Data

(62) Division of application No. 29/334,528, filed on Mar. 27, 2009, now Pat. No. Des. 657,314.

(30) **Foreign Application Priority Data**

Dec. 5, 2008 (WO) DM/071 080

(51) **LOC (10) Cl.** **13-02**

(52) **U.S. Cl.**
USPC **D13/139.1; D13/110**

(58) **Field of Classification Search**
USPC D13/107-110, 133, 137.1-137.4, 138.1,
D13/138.2, 139.1-139.8, 184, 199;
174/53-58, 66; 439/105-107, 535,
439/650-655, 638, 692, 502, 505; 337/189,
337/198
See application file for complete search history.

(56) **References Cited**

U.S. PATENT DOCUMENTS

D374,657 S *	10/1996	Beranek	D13/138.1
5,611,701 A *	3/1997	Hahn	439/131
5,613,863 A *	3/1997	Klaus et al.	439/131
D381,314 S *	7/1997	Hahn	D13/138.1
D382,540 S *	8/1997	Hahn	D13/138.1
D462,056 S *	8/2002	Chung	D13/137.1
D549,650 S *	8/2007	Russell et al.	D13/137.2

D559,184 S *	1/2008	Russell et al.	D13/137.1
D564,964 S *	3/2008	Caine et al.	D13/137.1
D576,552 S *	9/2008	Caine et al.	D13/137.2
D614,130 S *	4/2010	Nylen	D13/108
D617,276 S *	6/2010	Fahrendorff et al.	D13/138.1
D621,349 S *	8/2010	Nylen	D13/108
D621,781 S *	8/2010	Chang et al.	D13/137.2
D623,595 S *	9/2010	Ruffner	D13/139.1
D640,631 S *	6/2011	Smith et al.	D13/138.1
D640,632 S *	6/2011	Smith et al.	D13/138.1
D669,434 S *	10/2012	Kim et al.	D13/110
D676,810 S *	2/2013	Smith et al.	D13/110
D681,554 S *	5/2013	Nelson et al.	D13/137.3

* cited by examiner

Primary Examiner — Rosemary K Tarcza

(74) *Attorney, Agent, or Firm* — Grossman, Tucker, Perreault & Pfleger, PLLC

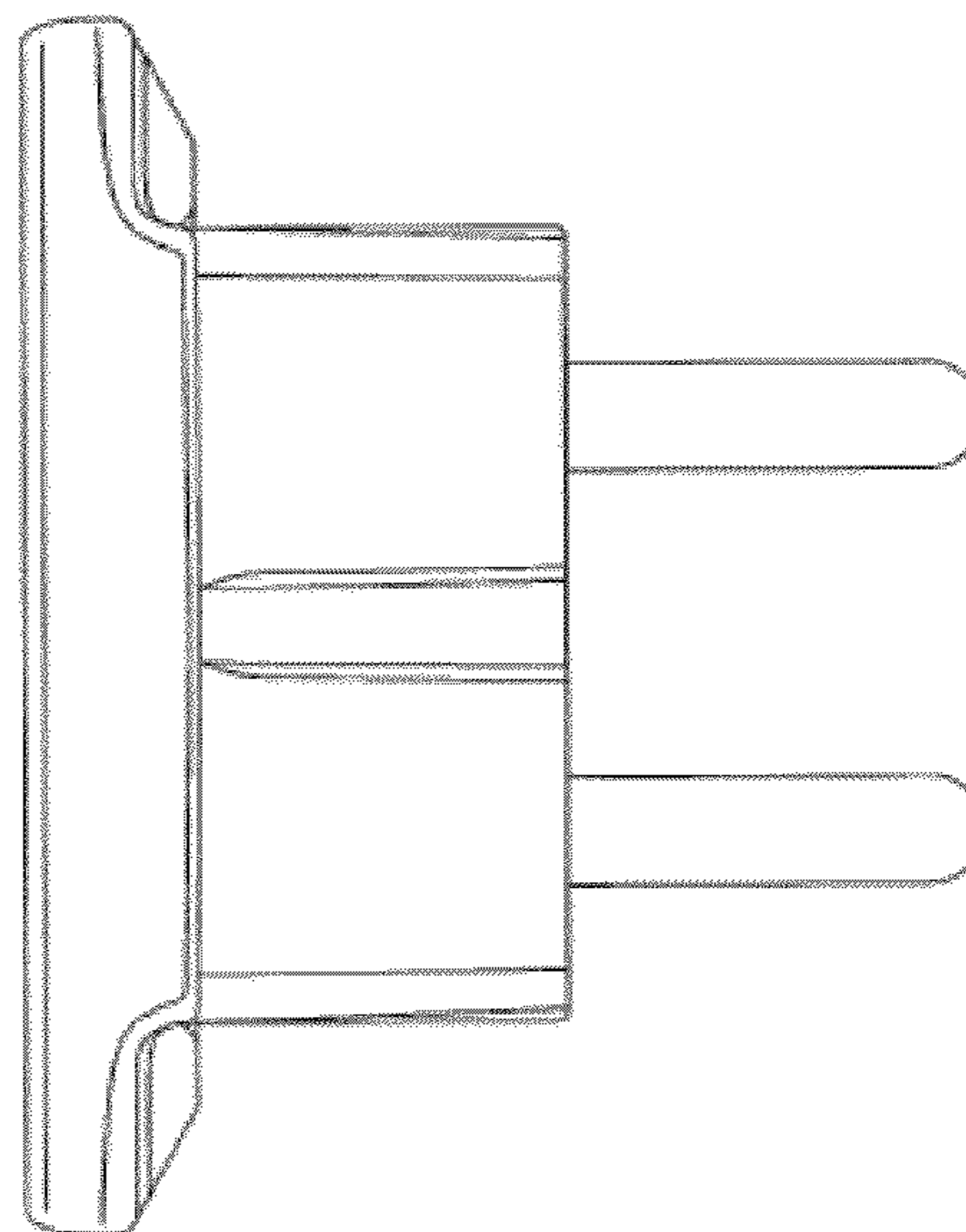
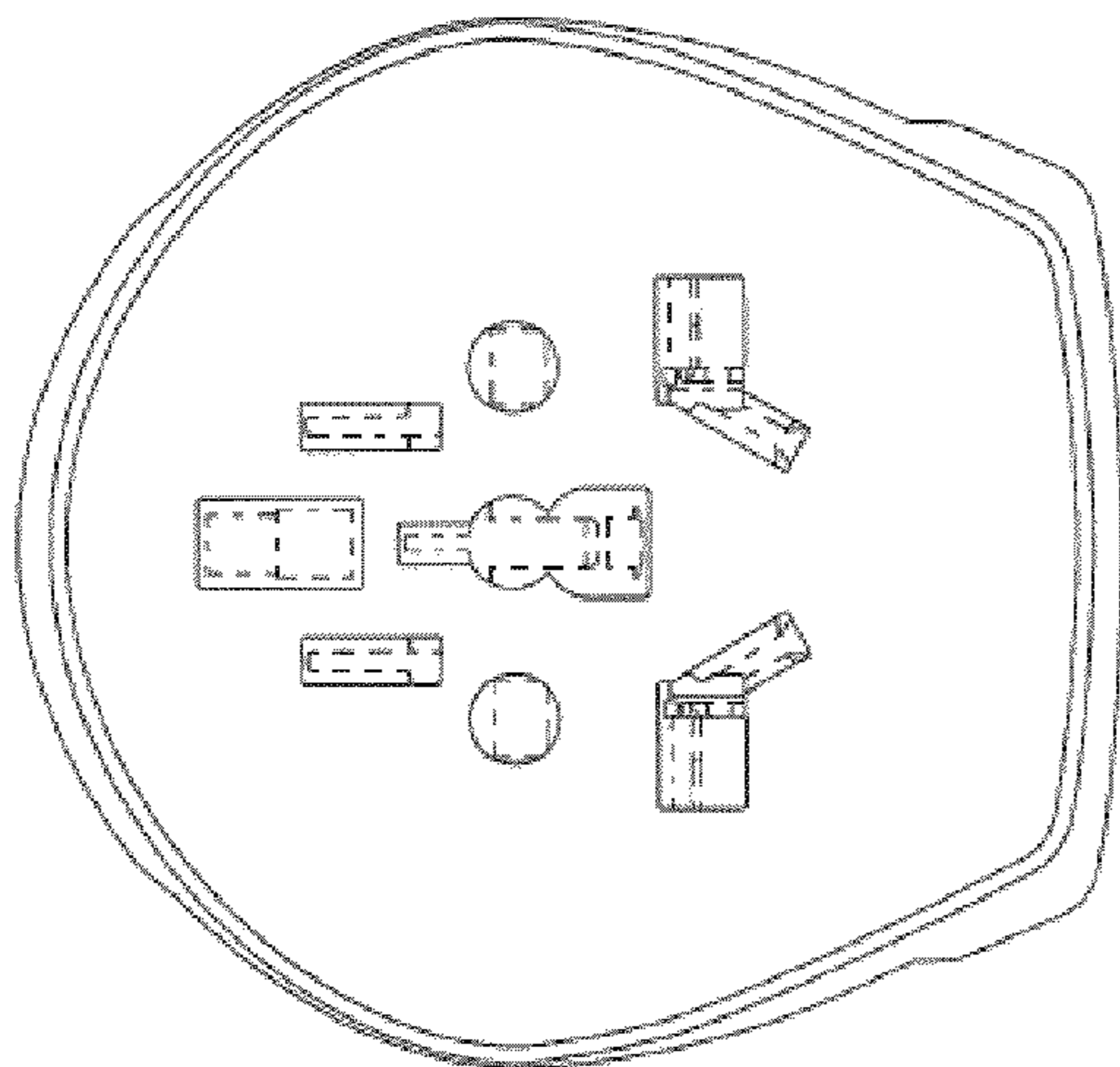
(57) **CLAIM**

The ornamental design for power connector, as shown and described.

DESCRIPTION

FIG. 1 is a top end view of the power connector shown in FIG. 1;
 FIG. 2 is a side view of the plug of the power connector shown in FIG. 1;
 FIG. 3 is a top end view of the cavity for the plug of the power connector shown in FIG. 1;
 FIG. 4 is another side view of the plug of the power connector shown in FIG. 1;
 FIG. 5 is a further side view of the plug of the power connector shown in FIG. 1; and,
 FIG. 6 is a yet another side view of the plug of the power connector shown in FIG. 1.

1 Claim, 3 Drawing Sheets



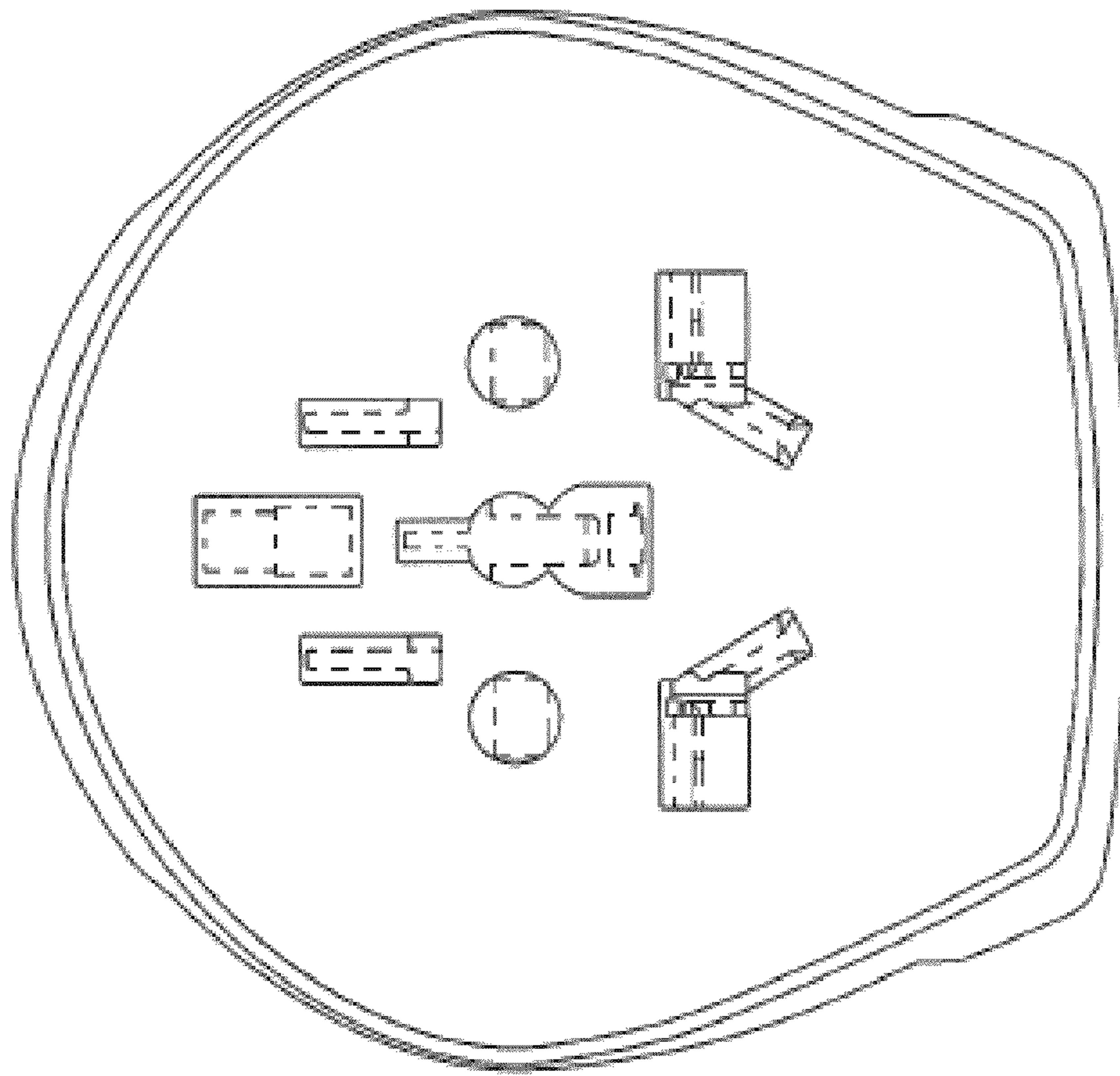


FIG. 1

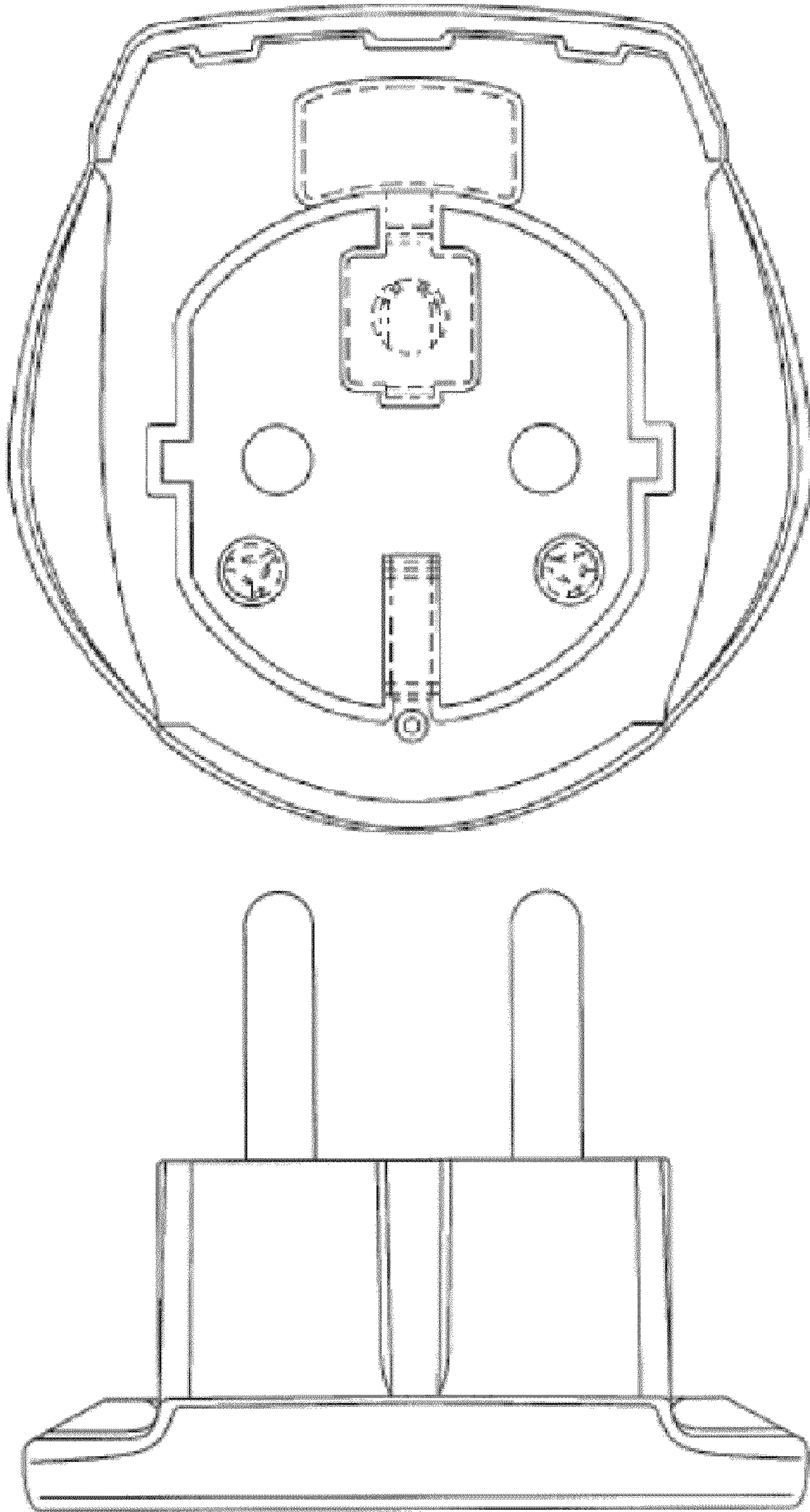


FIG. 2

FIG. 3

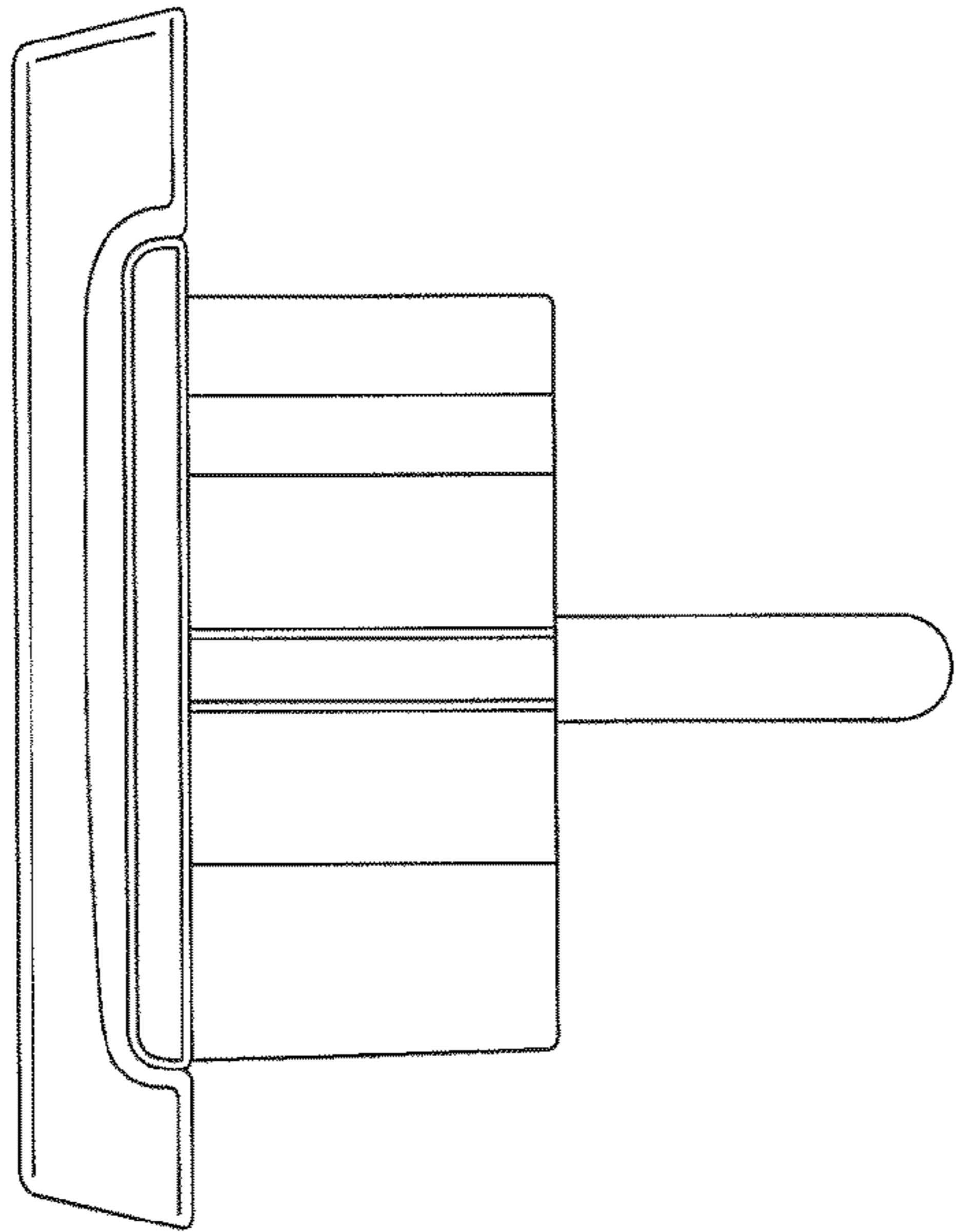


FIG. 5

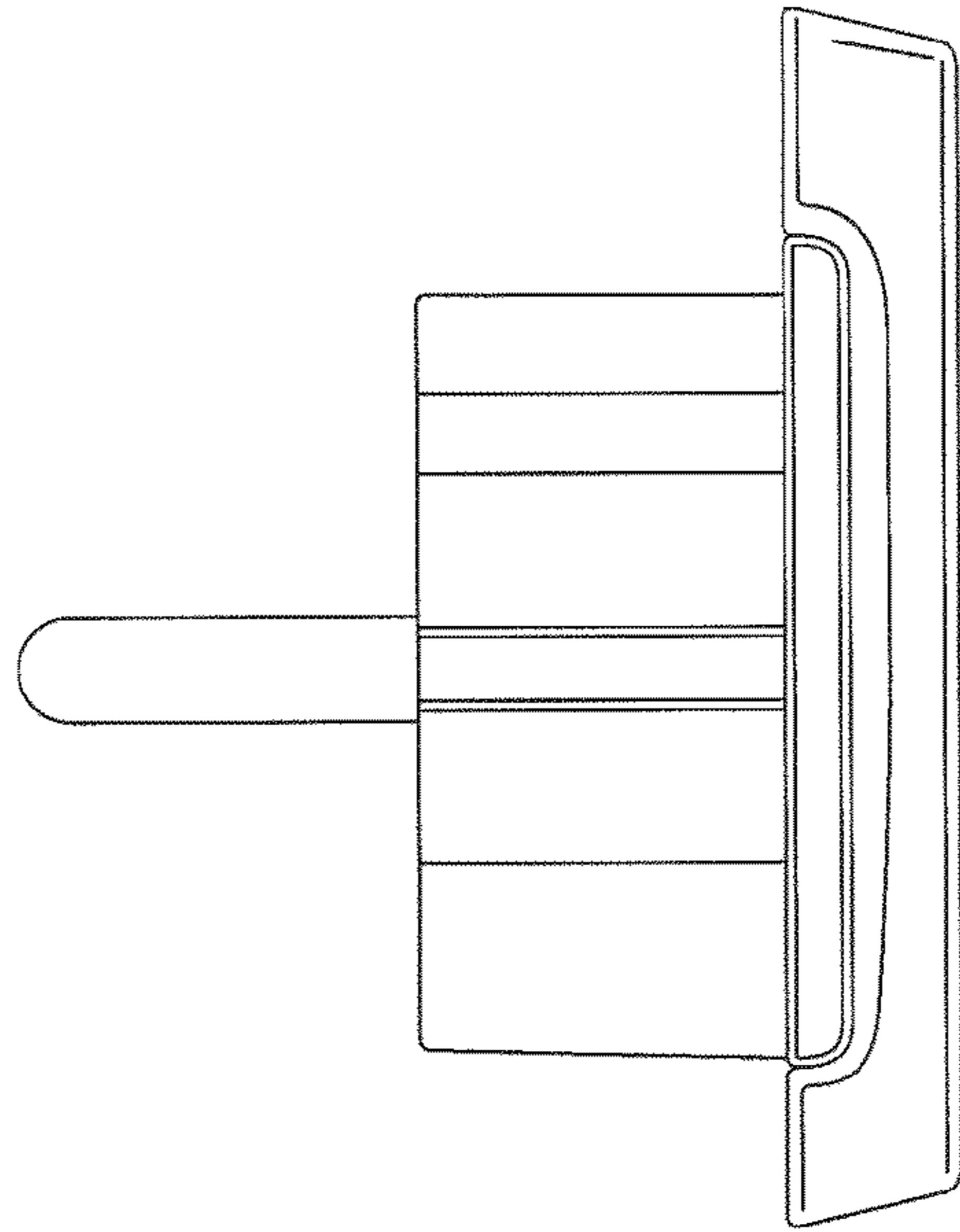


FIG. 6

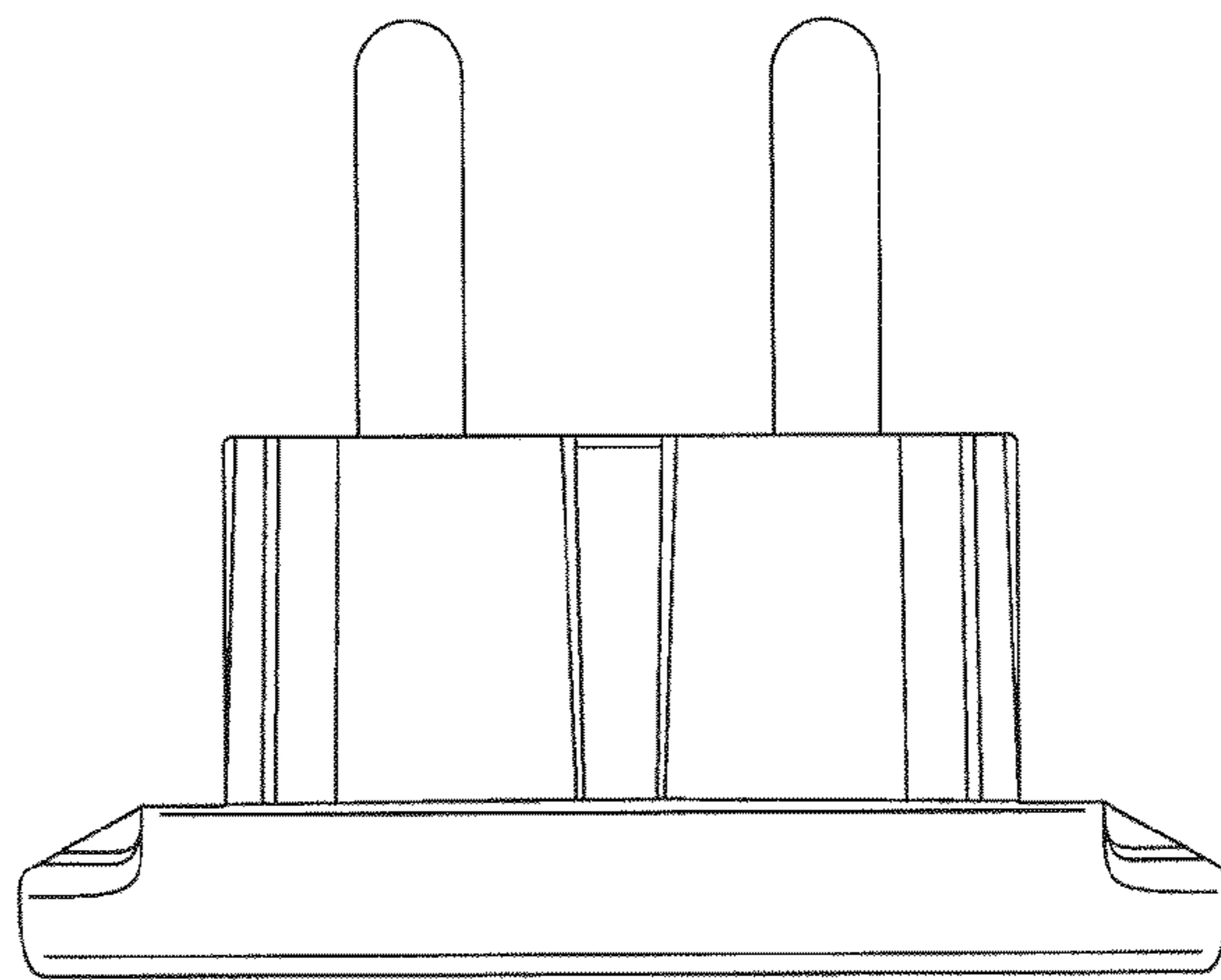


FIG. 4