



US00D702638S

(12) **United States Design Patent**  
**Takamoto et al.**

(10) **Patent No.:** **US D702,638 S**  
(45) **Date of Patent:** **\*\* Apr. 15, 2014**

(54) **ELECTRIC CONNECTOR**

(71) Applicant: **Nintendo Co., Ltd.**, Kyoto (JP)

(72) Inventors: **Junji Takamoto**, Kyoto (JP); **Yuji Hori**, Kyoto (JP); **Daisuke Kumazaki**, Kyoto (JP); **Takafumi Nishida**, Kyoto (JP)

(73) Assignee: **Nintendo Co, Ltd.**, Kyoto (JP)

(\*\*) Term: **14 Years**

(21) Appl. No.: **29/438,840**

(22) Filed: **Dec. 4, 2012**

(30) **Foreign Application Priority Data**

Jun. 4, 2012 (JP) ..... 2012-013254

(51) **LOC (10) Cl.** ..... **13-03**

(52) **U.S. Cl.**  
USPC ..... **D13/133**

(58) **Field of Classification Search**  
USPC ..... D13/133, 147, 154; 439/79, 108, 180,  
439/246, 374, 488, 527, 529, 530, 533,  
439/540.1, 541.5, 607.1, 607.4, 607.5,  
439/607.17, 607.25, 607.34, 607.41,  
439/607.53, 660, 676, 680, 883, 891, 892,  
439/894

See application file for complete search history.

(56) **References Cited**

**U.S. PATENT DOCUMENTS**

D333,293 S 2/1993 Ashida  
D535,617 S 1/2007 Yoneyama et al.

D558,677 S 1/2008 Ashida et al.  
D558,682 S 1/2008 Ashida et al.  
D568,821 S 5/2008 Ashida et al.  
D568,823 S 5/2008 Ashida et al.  
D583,758 S \* 12/2008 Cheng et al. .... D13/133  
D599,294 S \* 9/2009 Yang et al. .... D13/147  
D607,840 S \* 1/2010 Mao et al. .... D13/154  
D640,985 S \* 7/2011 Wang et al. .... D13/154  
D642,130 S \* 7/2011 Wang et al. .... D13/147  
D687,781 S \* 8/2013 Du et al. .... D13/147  
2009/0298351 A1 \* 12/2009 Xiong et al. .... 439/676  
2013/0225010 A1 \* 8/2013 Naito ..... 439/676

\* cited by examiner

*Primary Examiner* — Thomas Johannes

(74) *Attorney, Agent, or Firm* — Nixon & Vanderhye, P.C.

(57) **CLAIM**

The ornamental designs for an electric connector, as shown and described.

**DESCRIPTION**

FIG. 1 is a front, top and right perspective view of an electric connector of our new design;  
FIG. 2 is a rear, bottom and right perspective view thereof;  
FIG. 3 is a front view thereof;  
FIG. 4 is a rear view thereof;  
FIG. 5 is a top plan view thereof;  
FIG. 6 is a bottom plan view thereof; and,  
FIG. 7 is a left side view thereof, a right side view being a mirror image thereof.

The broken line portion of the figure drawings is included to show unclaimed subject matter only and forms no part of the claimed design.

**1 Claim, 4 Drawing Sheets**

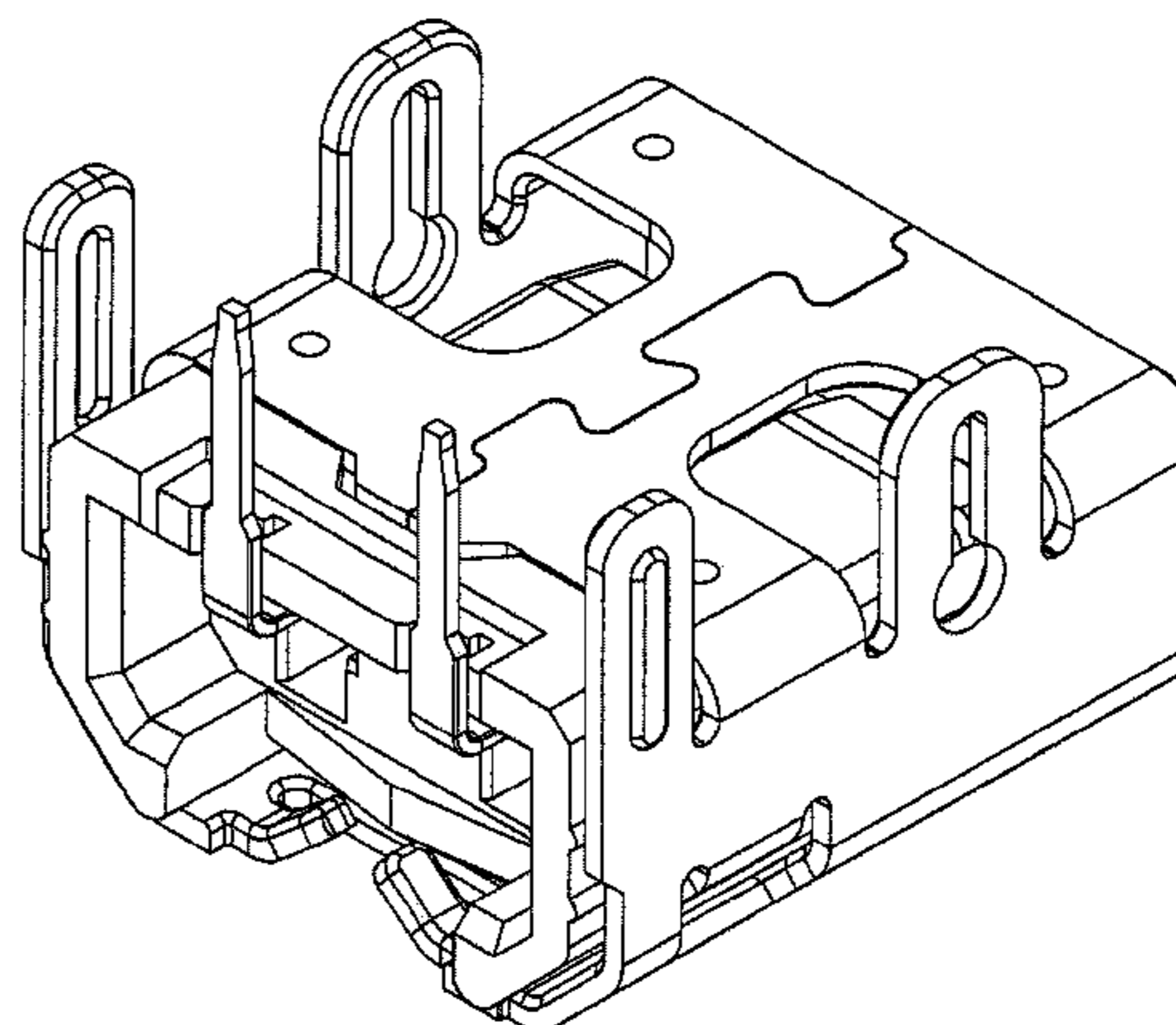
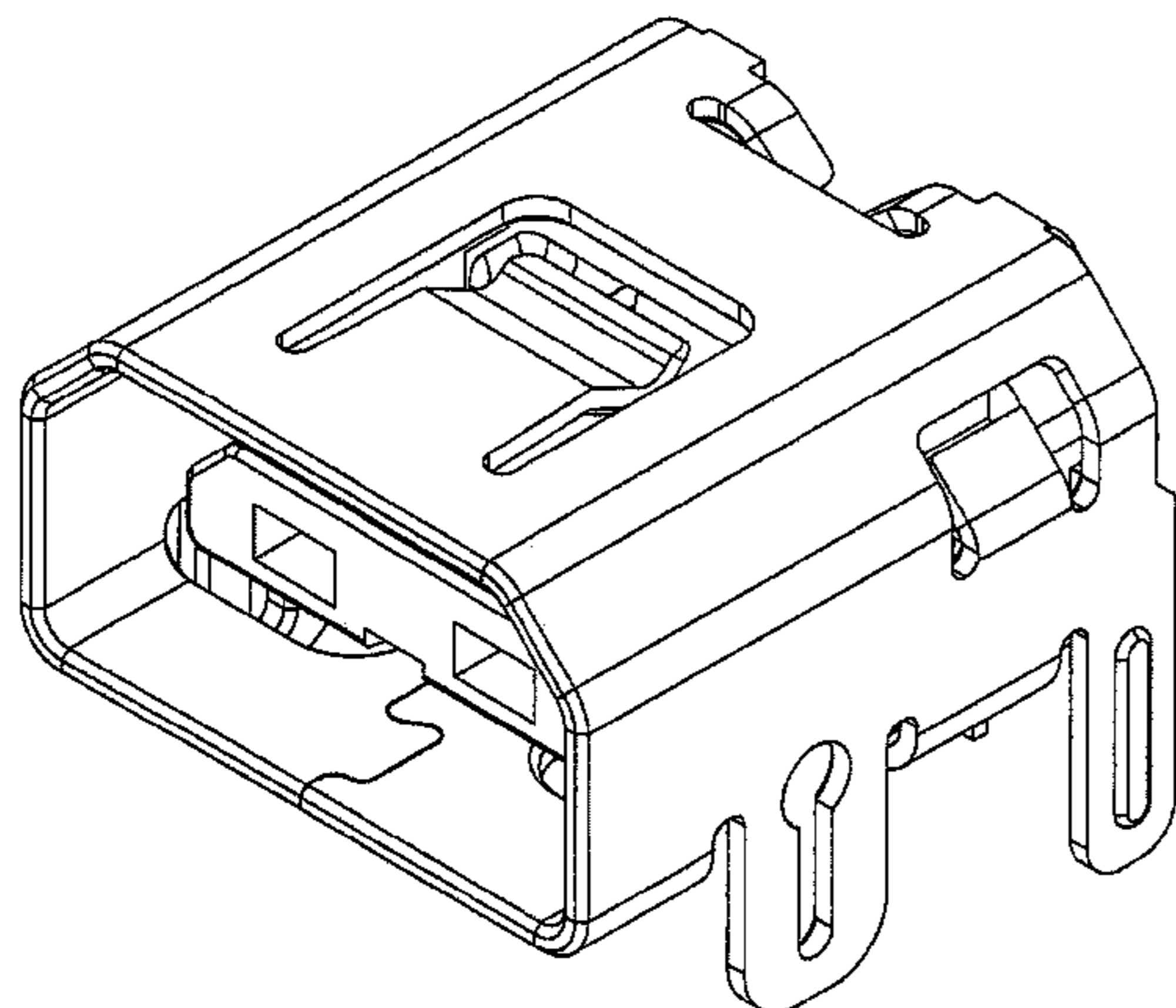


FIG. 1

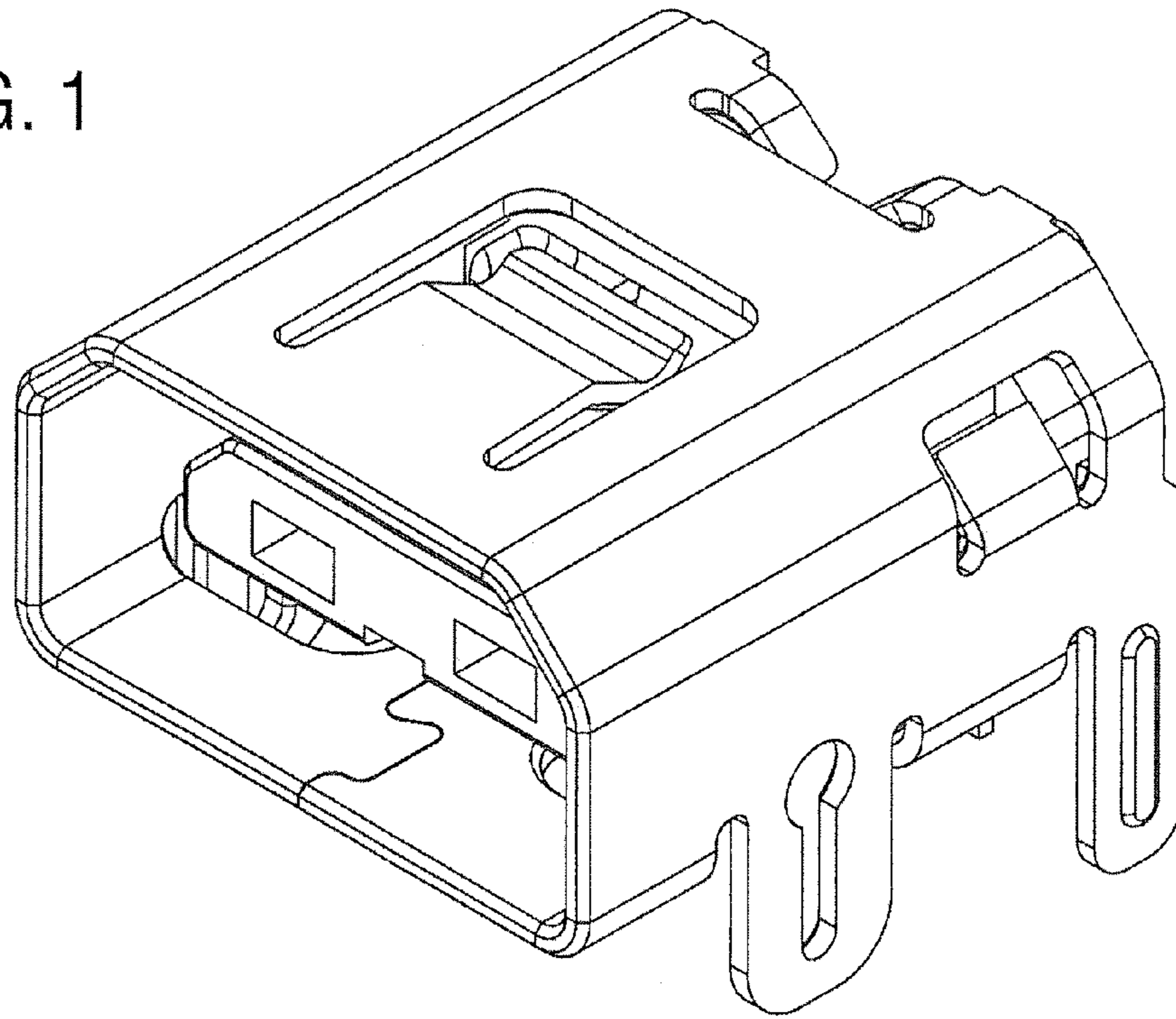


FIG. 2

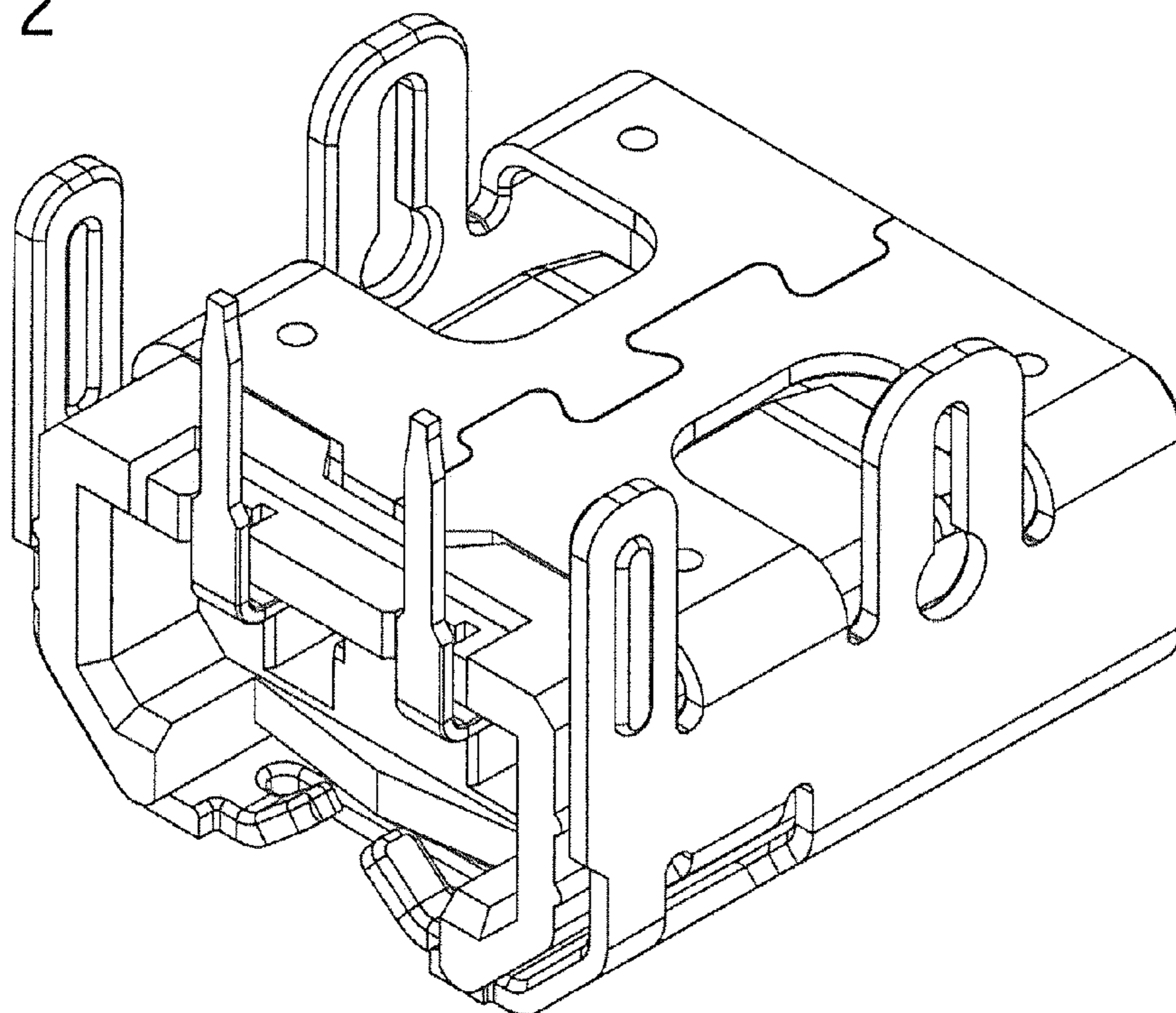


FIG. 3

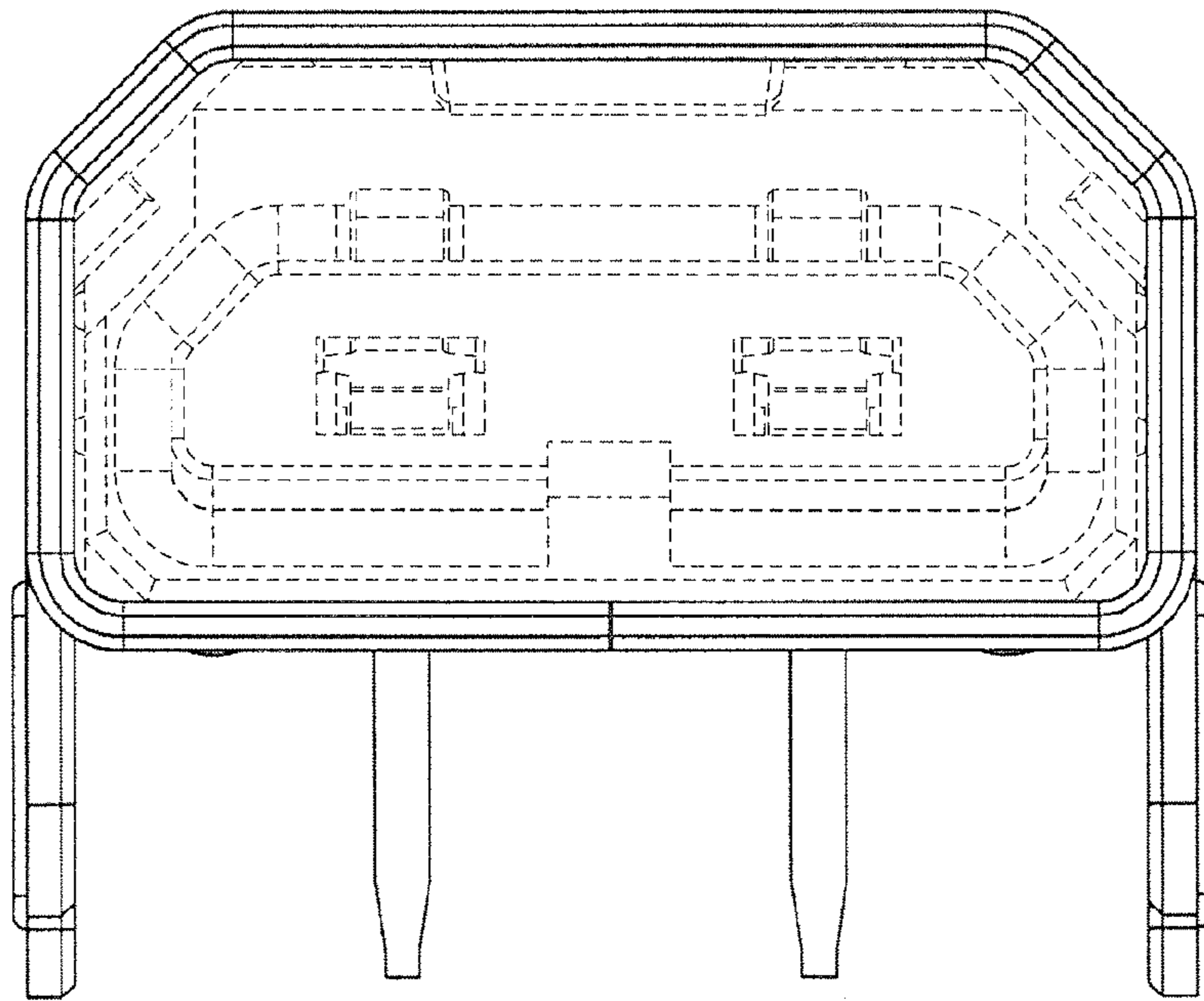


FIG. 4

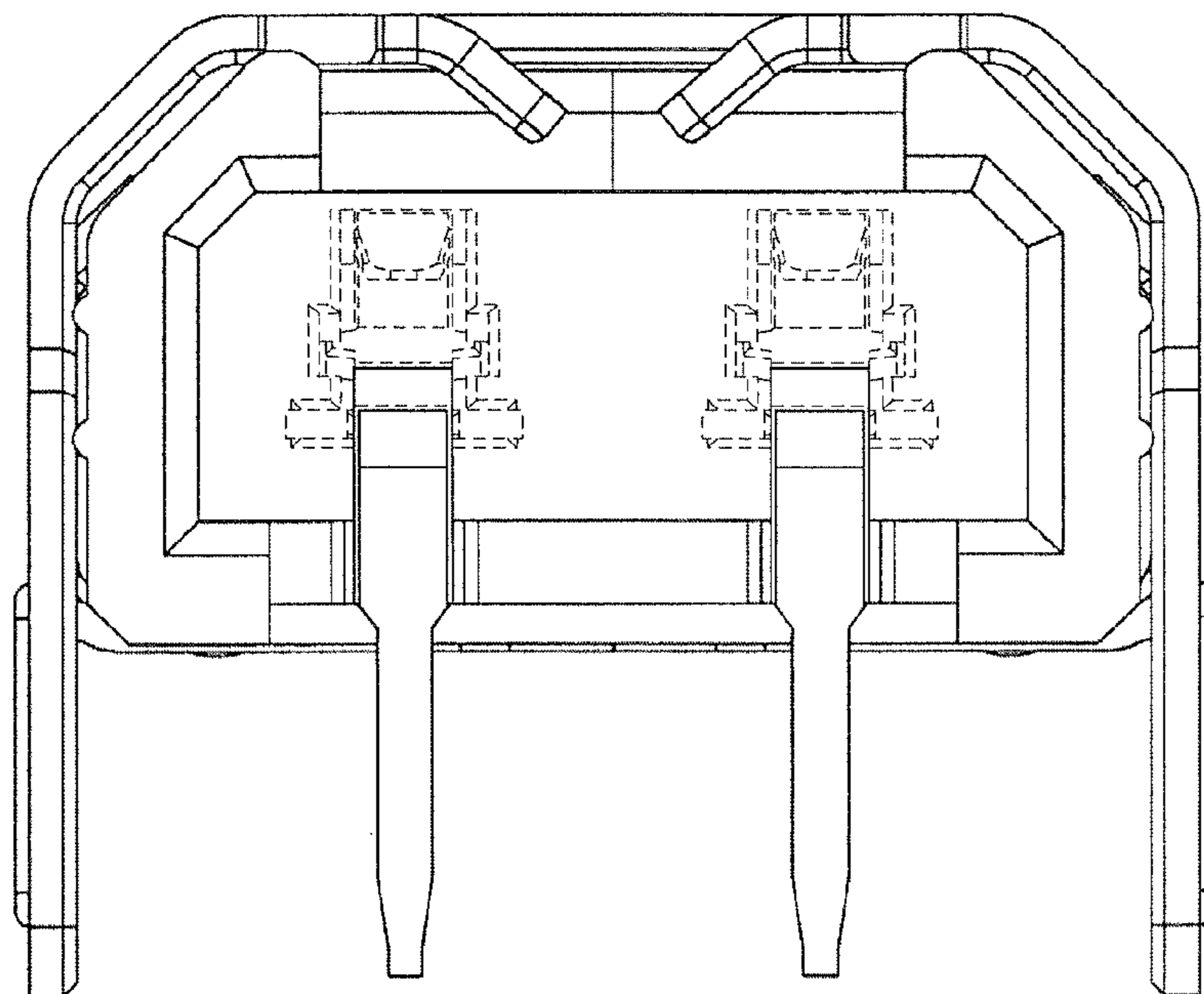




FIG. 5

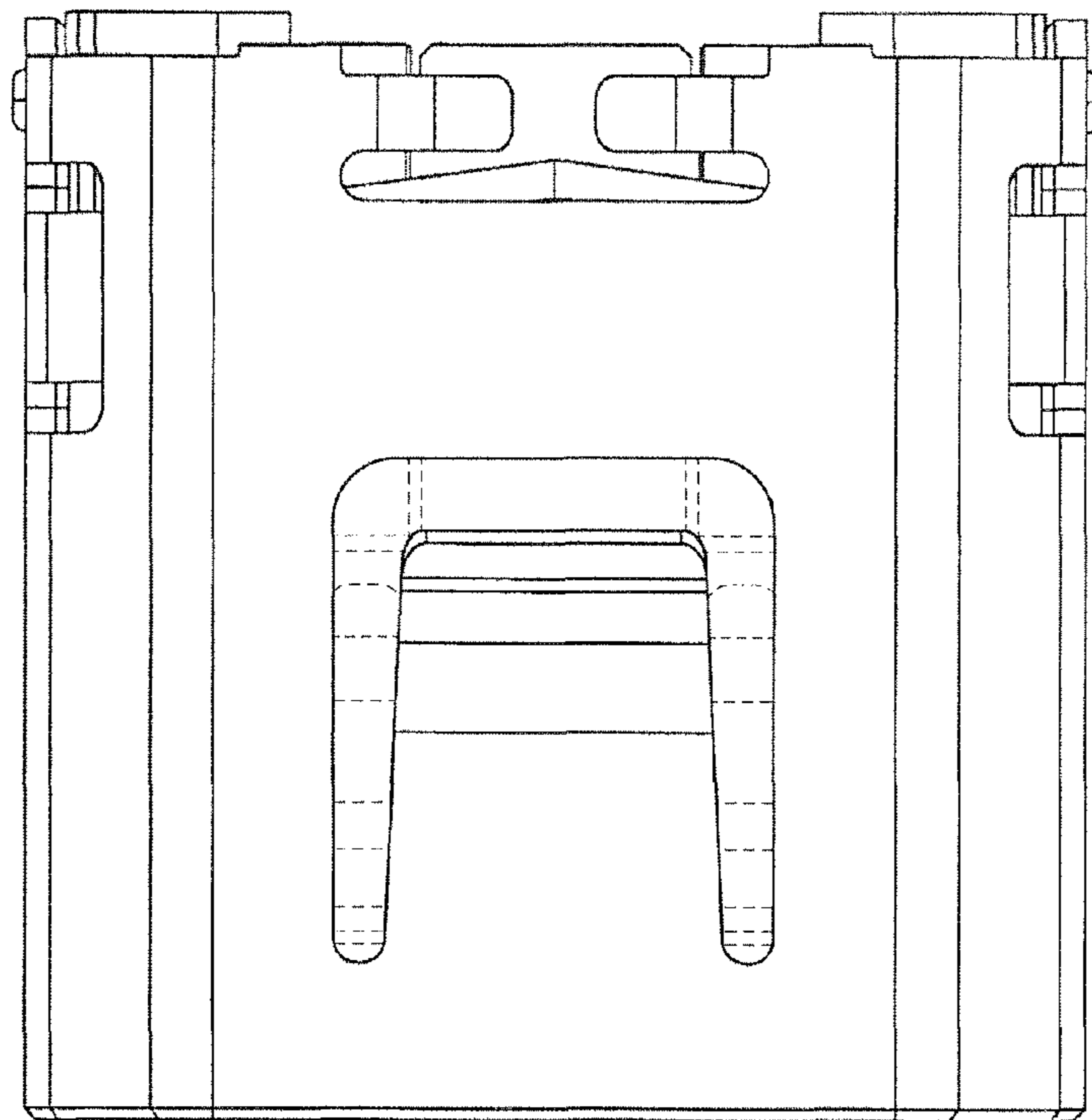


FIG. 6

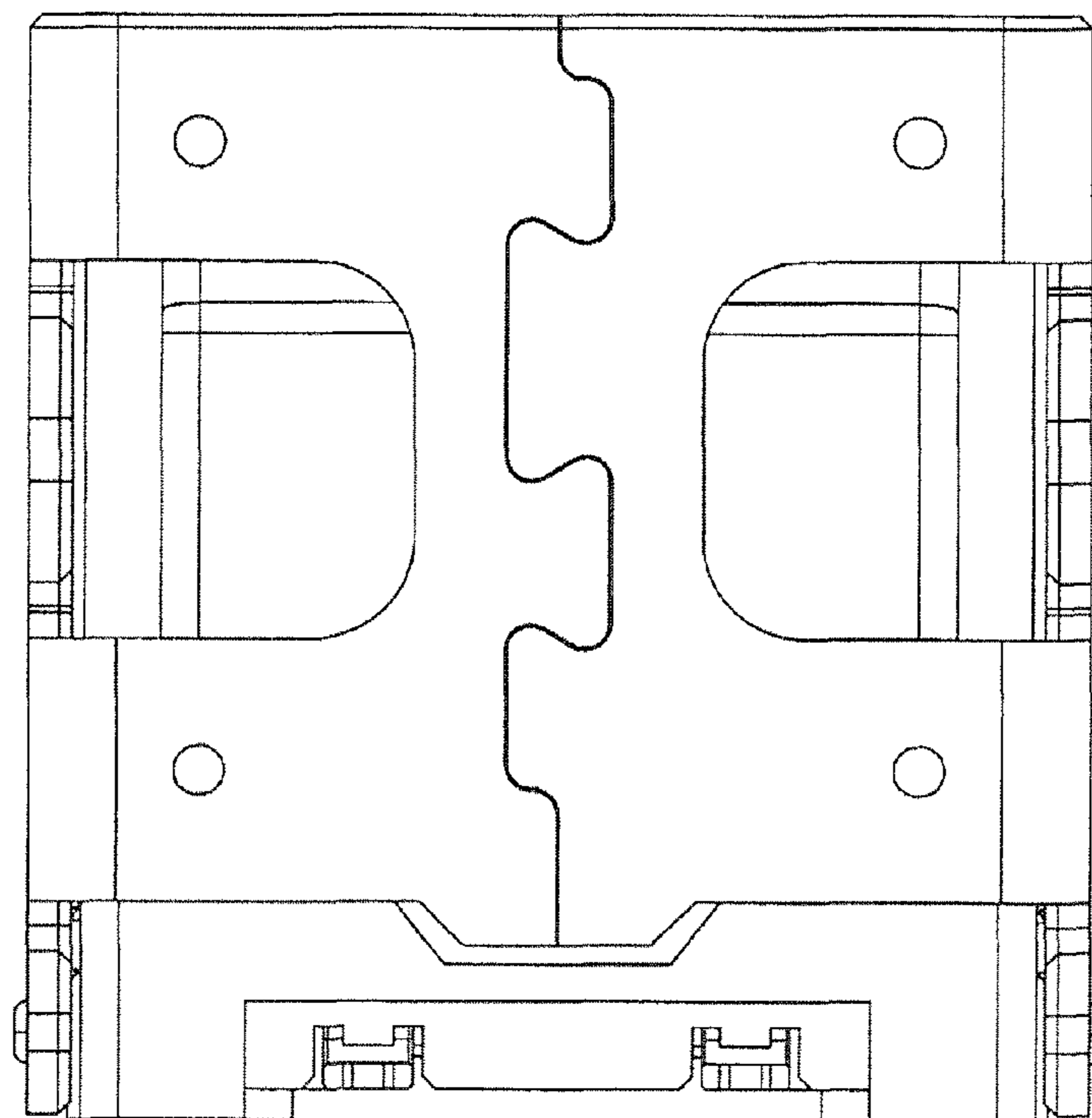


FIG. 7

