



US00D702637S

(12) **United States Design Patent**
Rayner

(10) **Patent No.:** **US D702,637 S**

(45) **Date of Patent:** **** Apr. 15, 2014**

(54) **ELECTRONIC CONNECTOR AND APERTURE PLUG**

(71) Applicant: **TreeFrog Developments, Inc.**, San Diego, CA (US)

(72) Inventor: **Gary Rayner**, Henderson, NV (US)

(73) Assignee: **TreeFrog Developments, Inc.**, San Diego, CA (US)

(**) Term: **14 Years**

(21) Appl. No.: **29/438,186**

(22) Filed: **Nov. 27, 2012**

Related U.S. Application Data

(62) Division of application No. 29/407,688, filed on Dec. 1, 2011, now Pat. No. Des. 675,161.

(51) **LOC (10) Cl.** **13-03**

(52) **U.S. Cl.**
USPC **D13/133**

(58) **Field of Classification Search**
USPC D13/133, 154, 184, 199; 439/180, 246, 439/252, 278, 374, 378, 380, 381, 527, 529, 439/606, 668-669, 675-676, 680, 892, 894
See application file for complete search history.

(56) **References Cited**

U.S. PATENT DOCUMENTS

D328,280	S	7/1992	Lee
D399,185	S	10/1998	Lin
D405,050	S	2/1999	Lee
D453,322	S	2/2002	Lee
6,406,313	B1	6/2002	Victor
D508,466	S	8/2005	Dobler
D546,285	S	7/2007	Ledbetter et al.
D592,596	S	5/2009	Kolton
D604,252	S	11/2009	Yundate
D645,022	S	9/2011	Lee et al.

Primary Examiner — Daniel Bui

(74) *Attorney, Agent, or Firm* — Lathrop & Gage LLP

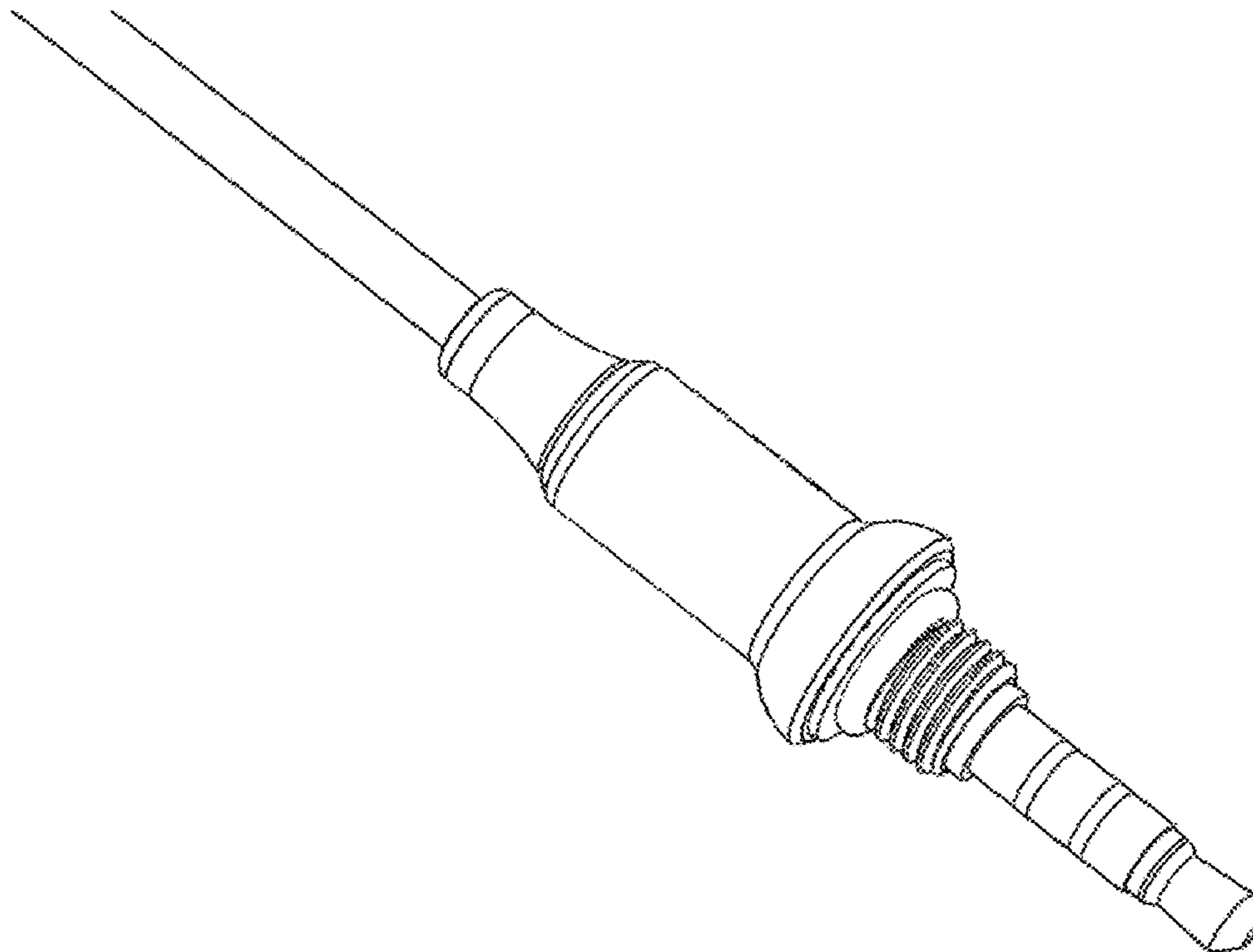
(57) **CLAIM**

The ornamental design for an electronic connector and aperture plug, as shown and described herein.

DESCRIPTION

FIG. 1 is a front perspective view of an electronic connector and aperture plug showing my new design; FIG. 2 is a side view thereof; and, FIG. 3 is a rear perspective view thereof.

1 Claim, 3 Drawing Sheets



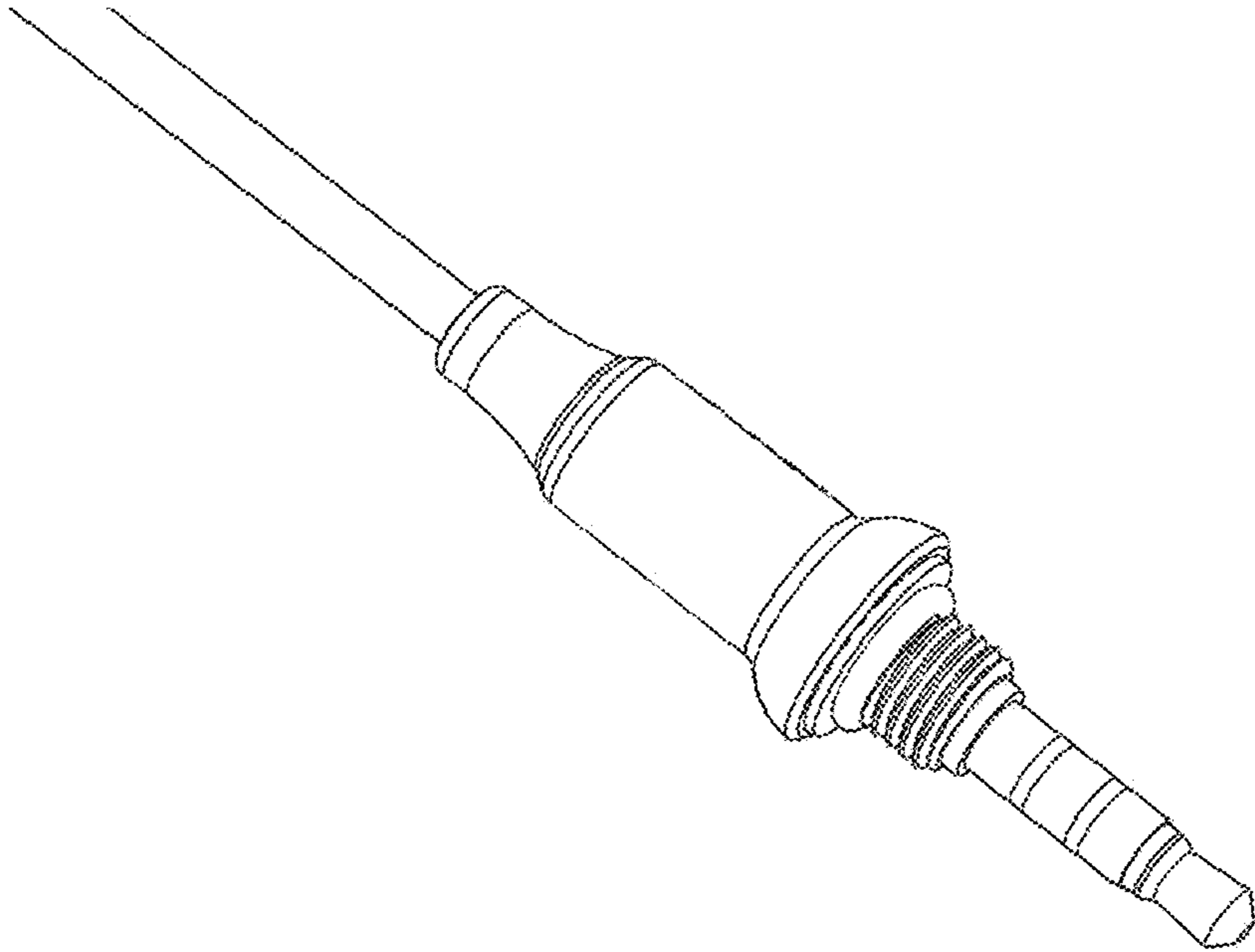


FIGURE 1

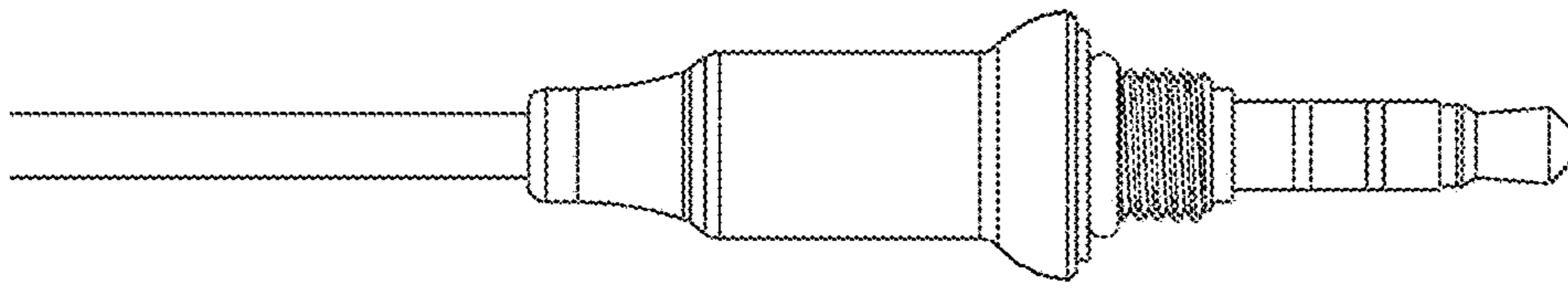


FIGURE 2

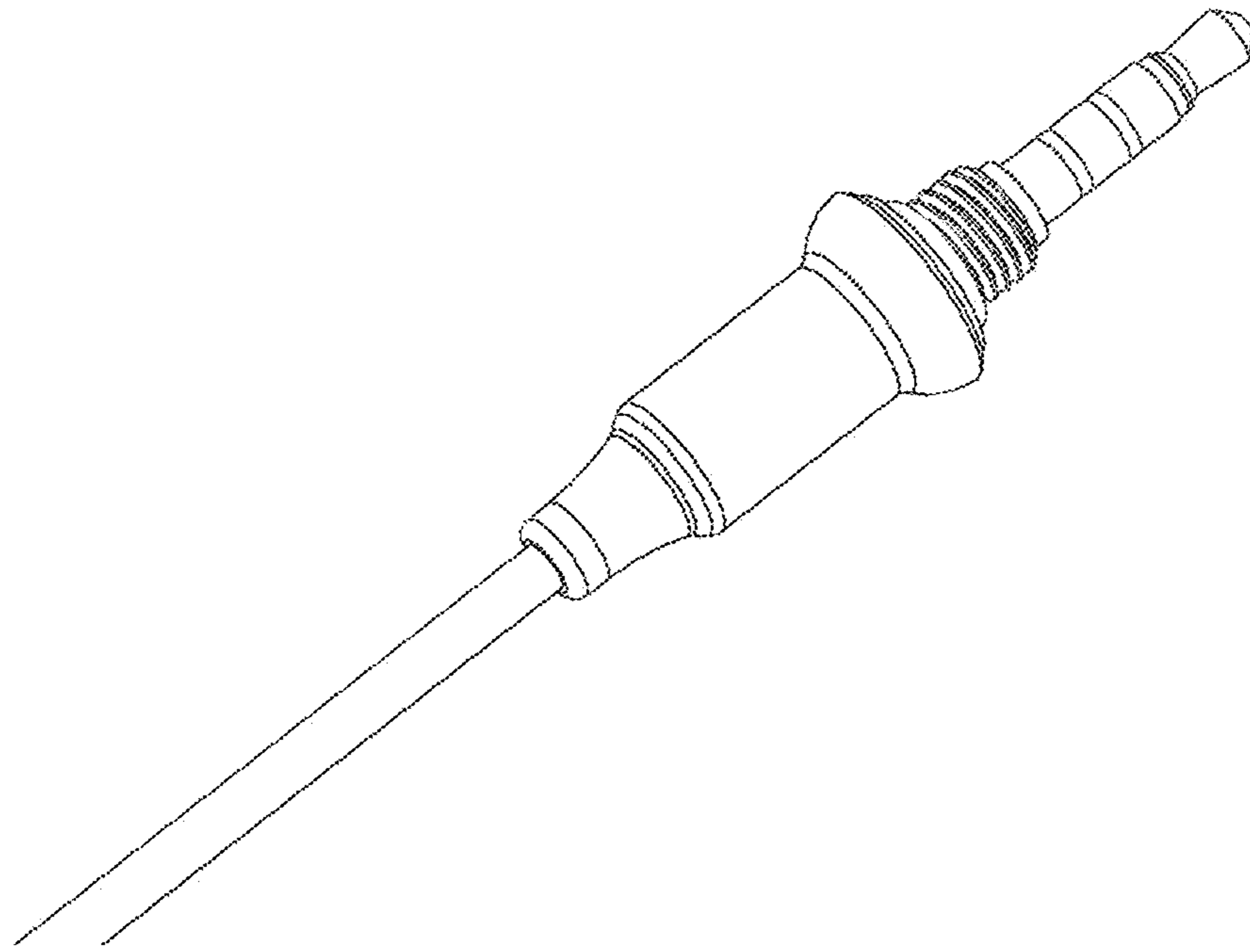


FIGURE 3