



US00D702636S

(12) **United States Design Patent**
Benedict et al.

(10) **Patent No.:** **US D702,636 S**

(45) **Date of Patent:** **** Apr. 15, 2014**

(54) **GENERATOR ADAPTOR 4 PRONG**

(71) Applicant: **Camco Manufacturing, Inc.**,
Greensboro, NC (US)

(72) Inventors: **Dominic William Benedict**, Stokesdale,
NC (US); **Jeffrey Robert Russell**,
Winston-Salem, NC (US)

(73) Assignee: **Camco Manufacturing Inc.**,
Greensboro, NC (US)

(**) Term: **14 Years**

(21) Appl. No.: **29/442,291**

(22) Filed: **Jan. 24, 2013**

(51) **LOC (10) Cl.** **13-02**

(52) **U.S. Cl.**
USPC **D13/110; D13/147**

(58) **Field of Classification Search**
USPC D13/110, 118, 137.1, 137.2, 138.1, 146,
D13/147, 154, 184, 199; 439/34, 35, 374,
439/527, 529, 533, 594, 626, 628, 638, 894
See application file for complete search history.

(56) **References Cited**

U.S. PATENT DOCUMENTS

3,500,291 A	3/1970	Hubbell et al.	
D418,816 S *	1/2000	Wu	D13/146
D511,748 S	11/2005	Caine et al.	
D515,503 S *	2/2006	Lee	D13/139.4
D523,811 S	6/2006	Pinson	
D549,650 S	8/2007	Russell et al.	
D599,290 S *	9/2009	Lee	D13/137.2

D618,617 S *	6/2010	Lee	D13/137.2
D636,335 S *	4/2011	Clark	D13/137.2
D686,993 S *	7/2013	Millar-Sax et al.	D13/137.2
D687,778 S *	8/2013	Utz	D13/133

OTHER PUBLICATIONS

Ref 1., Reliance Controls AP31RV 30 Amp L5-30 to RV Generator Power Adapter Plug, Amazon website (www.amazon.com). Jan. 22, 2013.

Ref 2., Marinco 125A 30 A Rv Generator Adapter, Amazon website (www.amazon.com). Jan. 22, 2013.

* cited by examiner

Primary Examiner — Khawaja Anwar

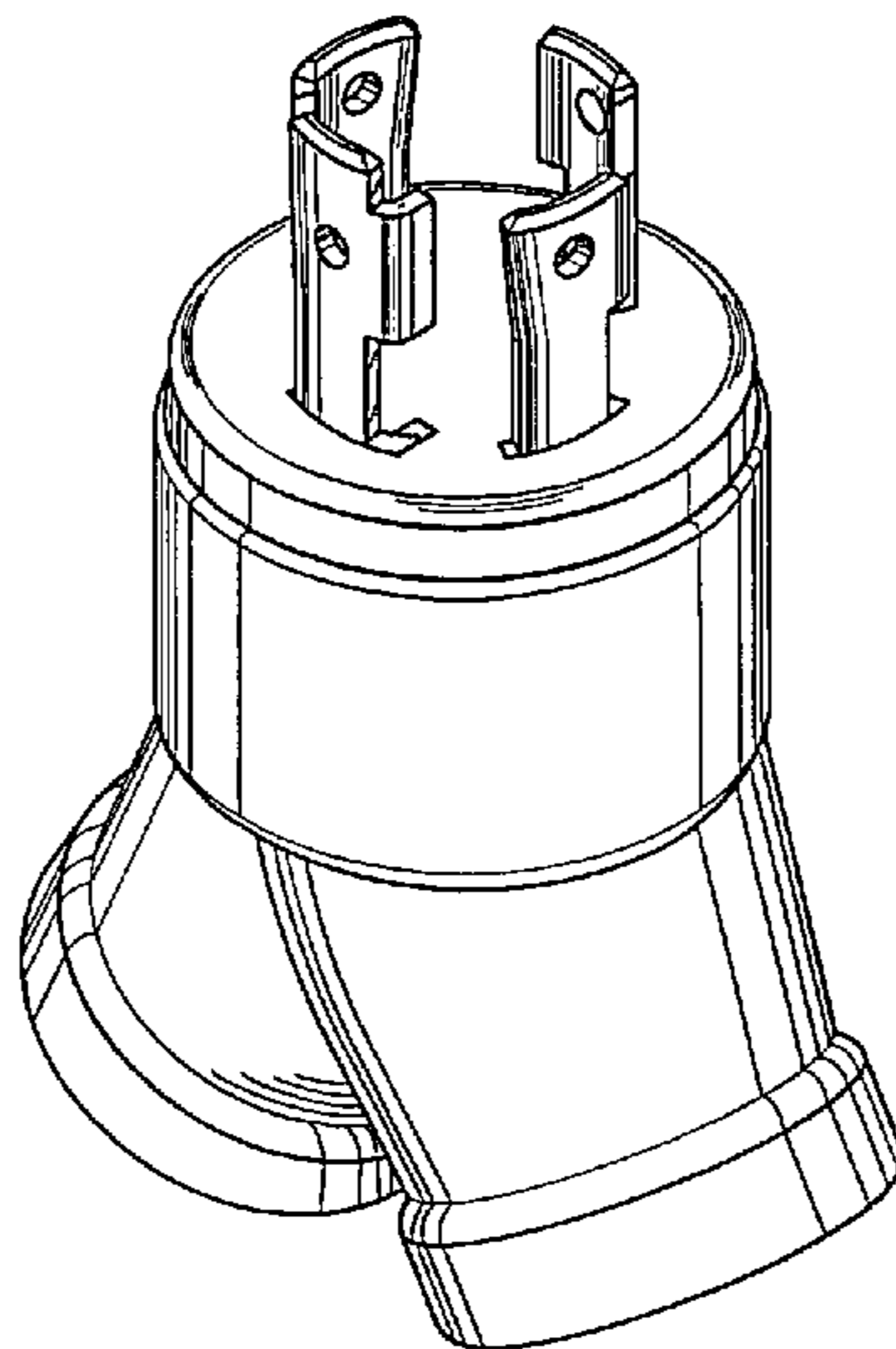
(57) **CLAIM**

The ornamental design for a generator adapter 4 prong, as shown and described.

DESCRIPTION

FIG. 1 is a front, top right perspective view of a generator adapter 4 prong showing our new design; FIG. 2 is a front, bottom left view thereof; FIG. 3 is a front elevation view thereof; FIG. 4 is a rear elevation view thereof; FIG. 5 is a top plan view thereof; FIG. 6 is a bottom plan view thereof; FIG. 7 is a left elevation view thereof; and, FIG. 8 is a right elevation view thereof. The broken line portion in the figure drawing views is included for the purpose of illustrating unclaimed environment and forms no part of the claimed design.

1 Claim, 4 Drawing Sheets



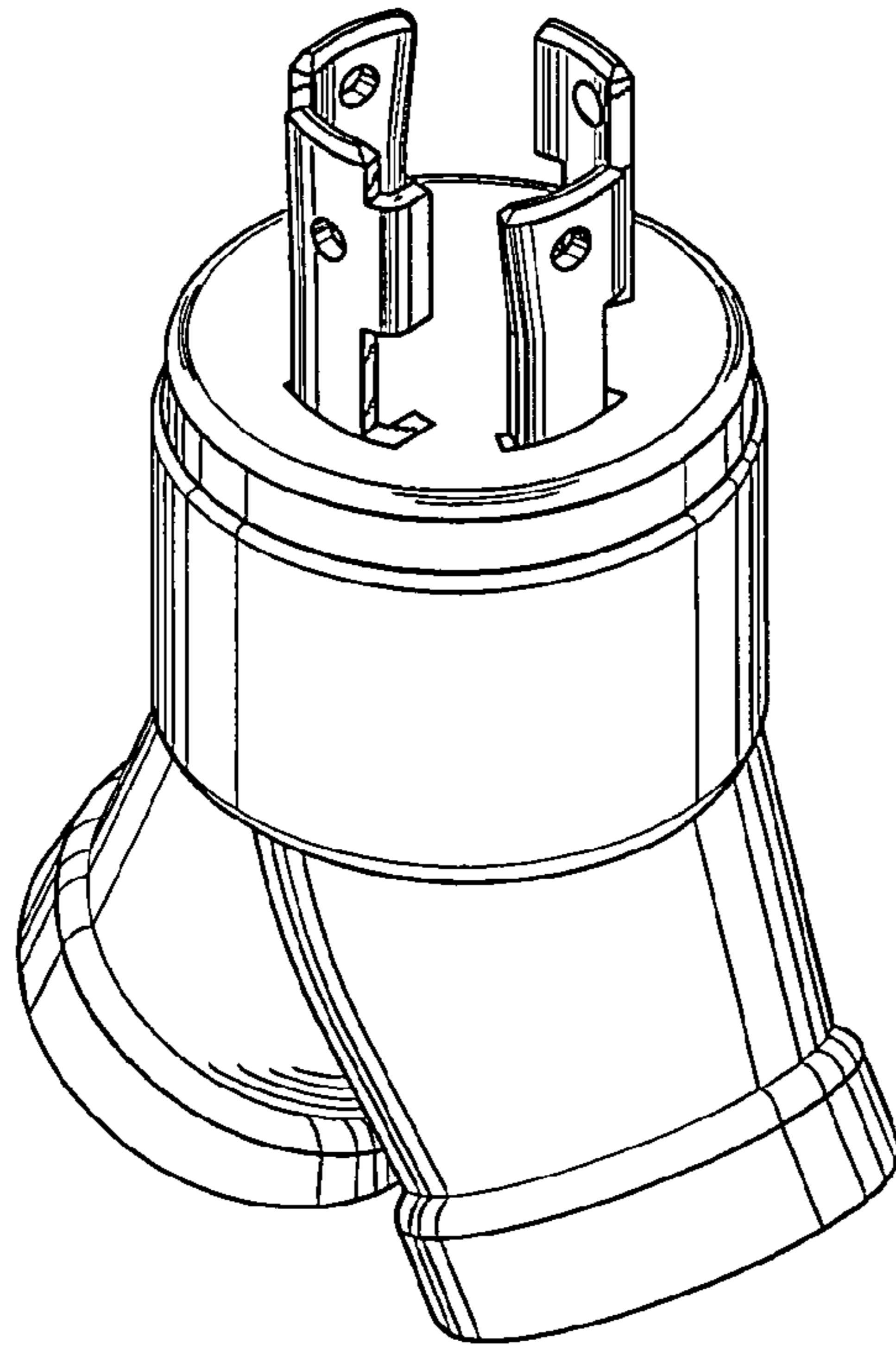


Fig. 1

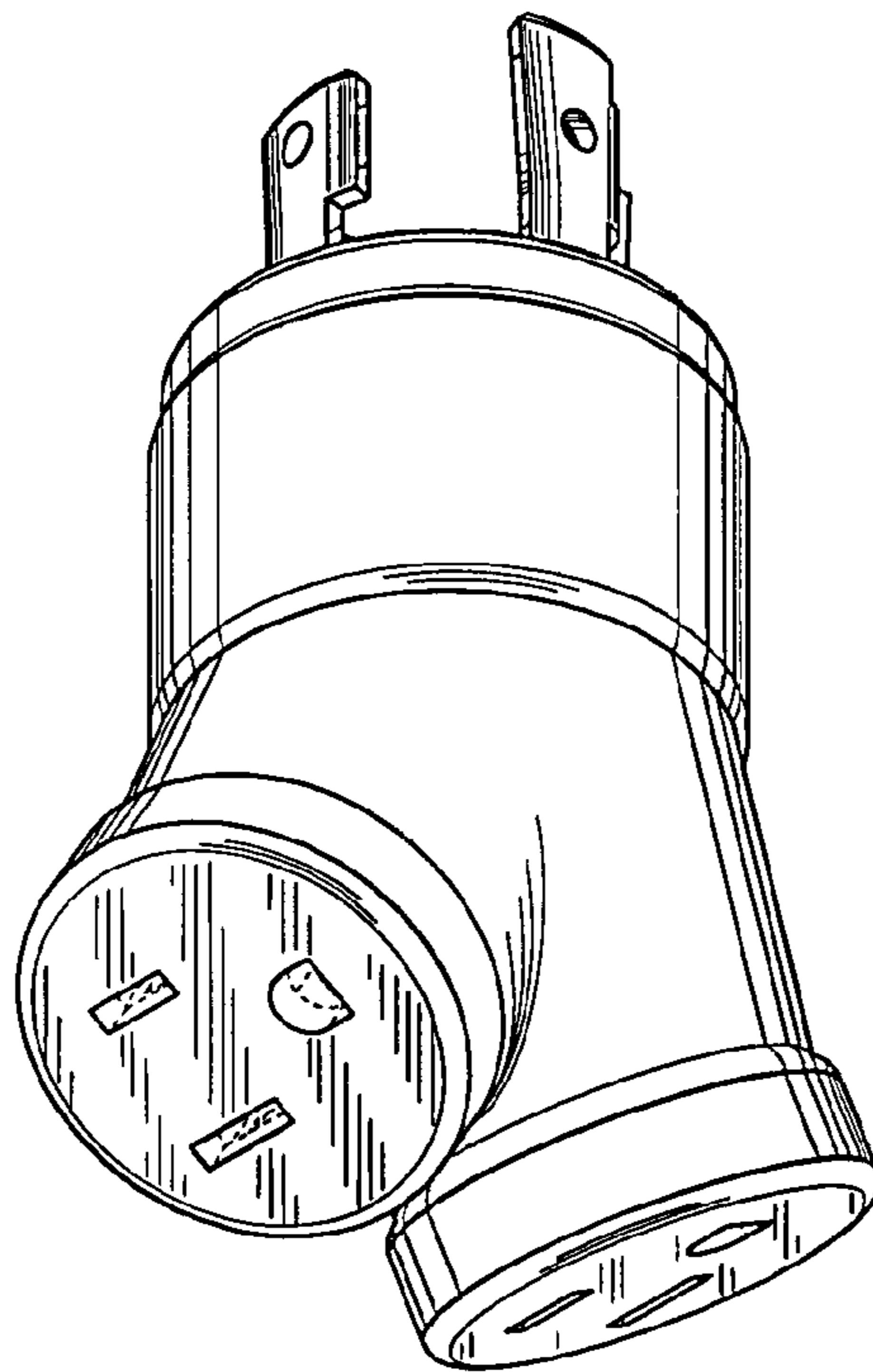


Fig. 2

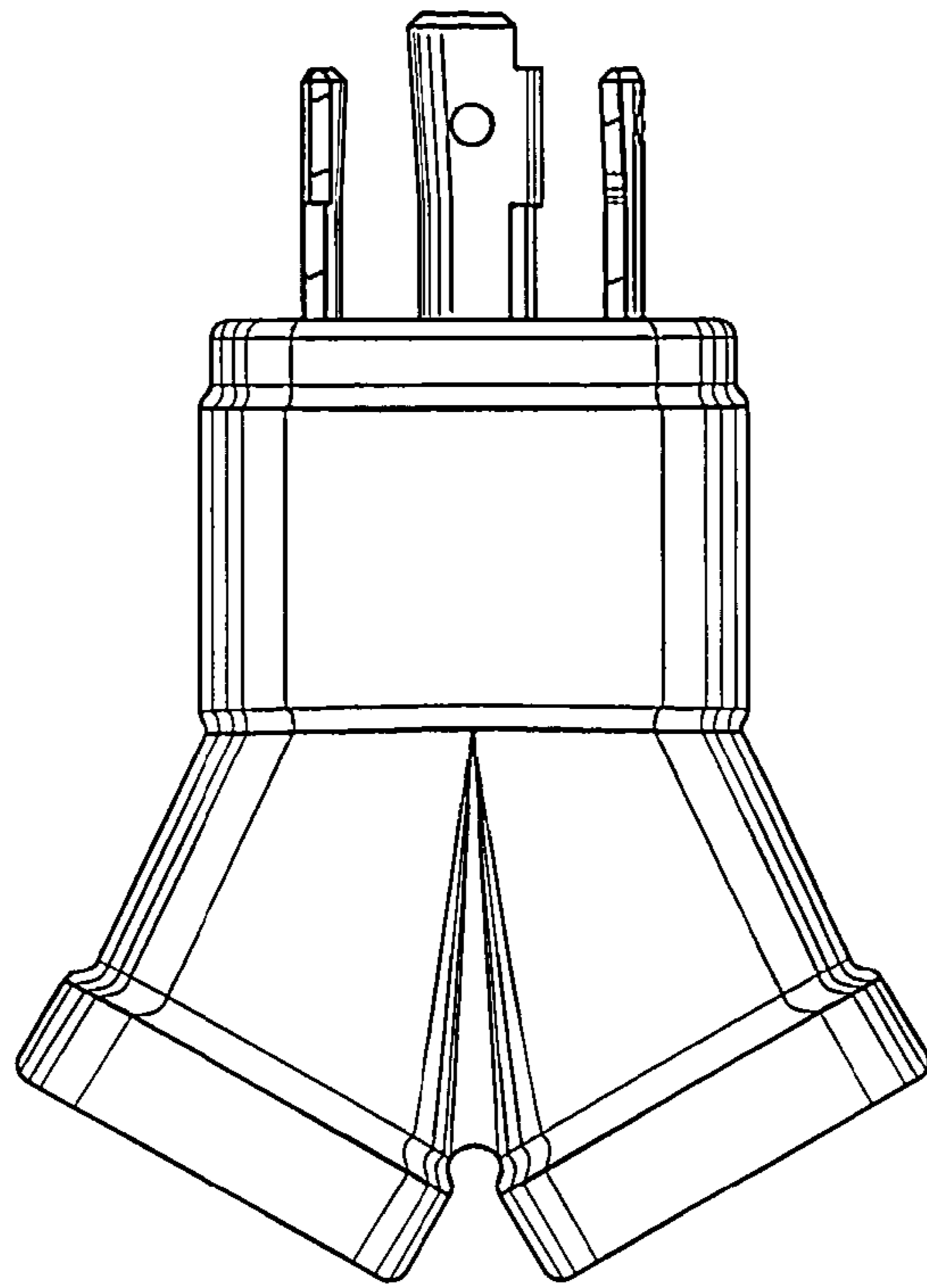


Fig. 3

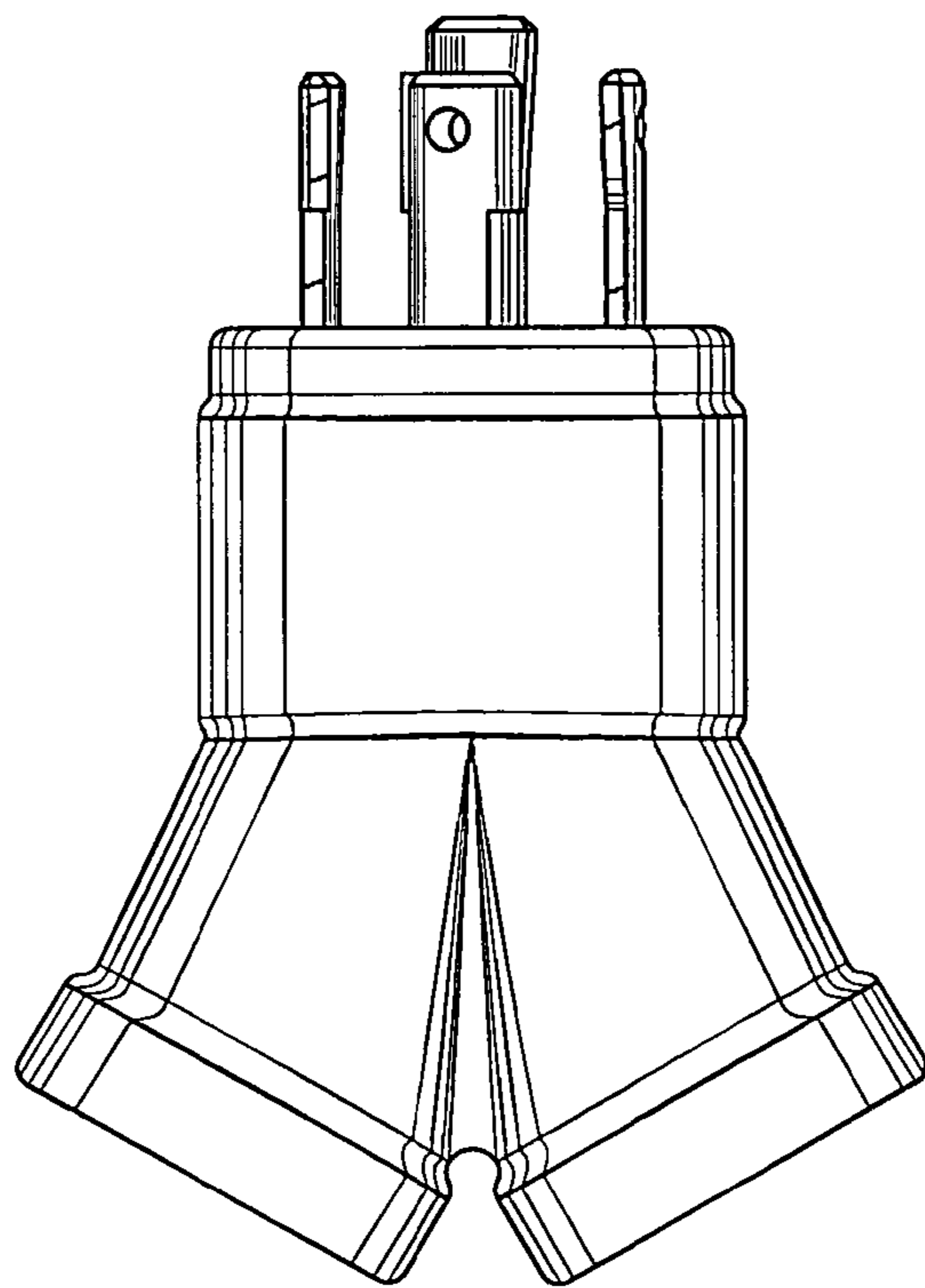


Fig. 4

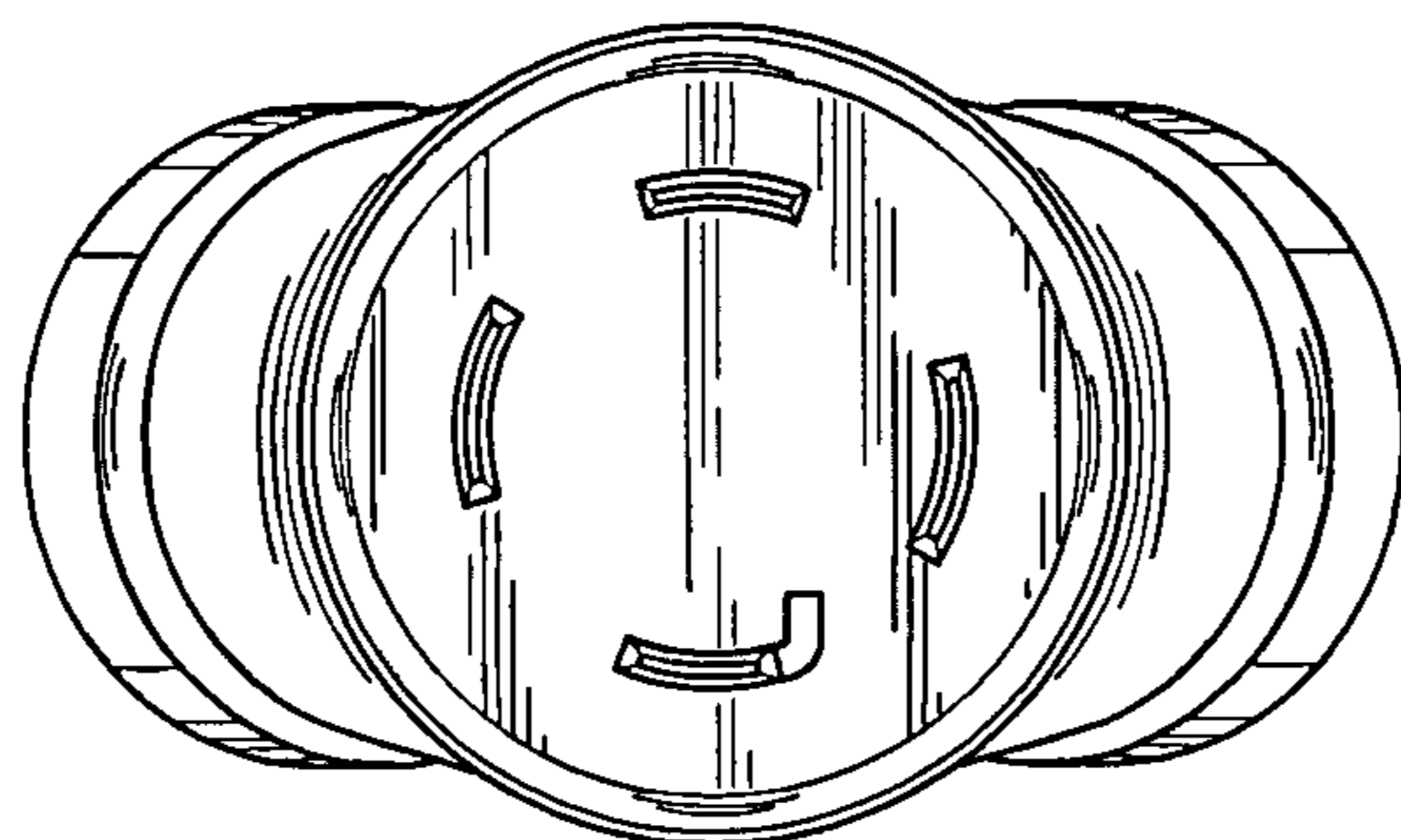


Fig. 5

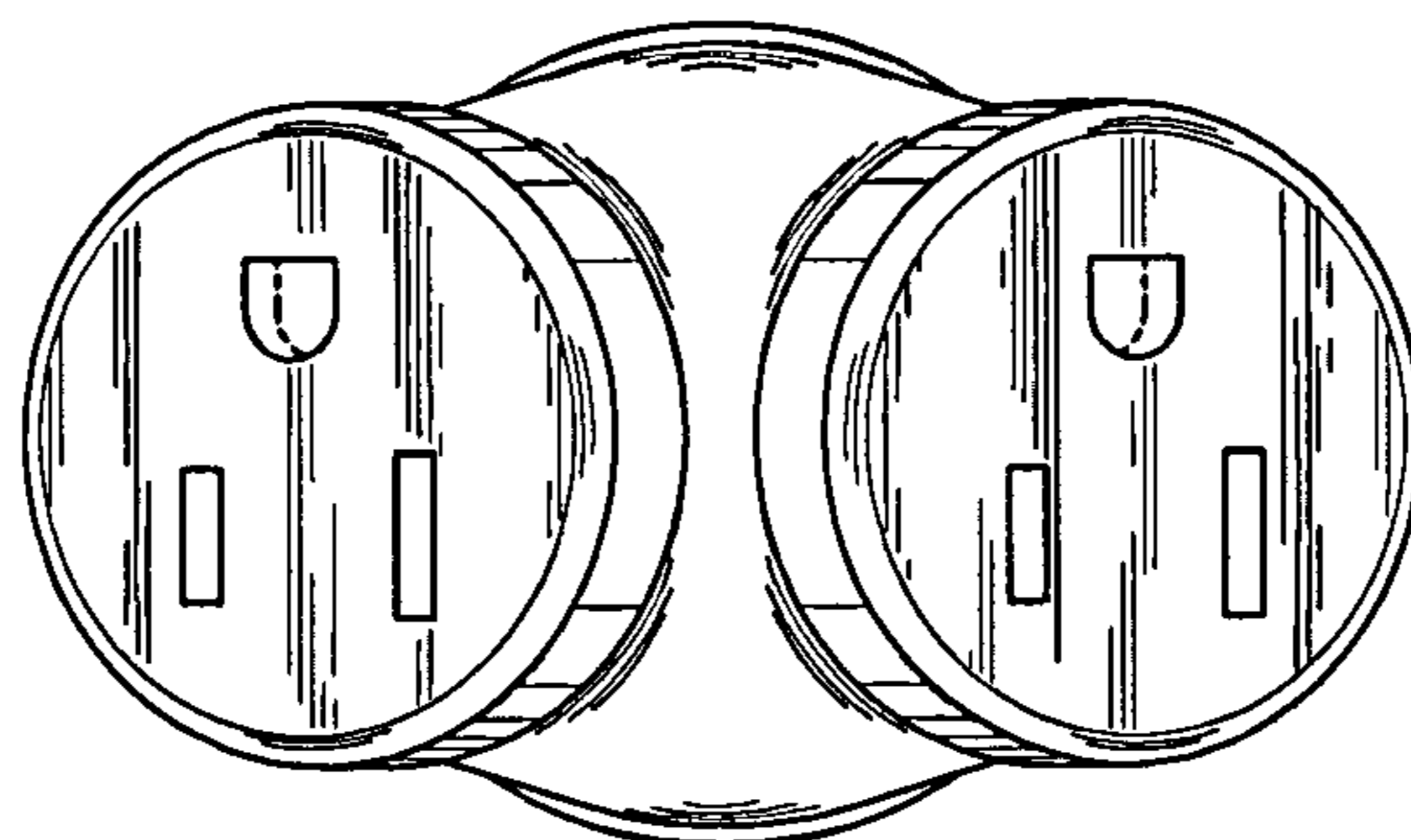


Fig. 6

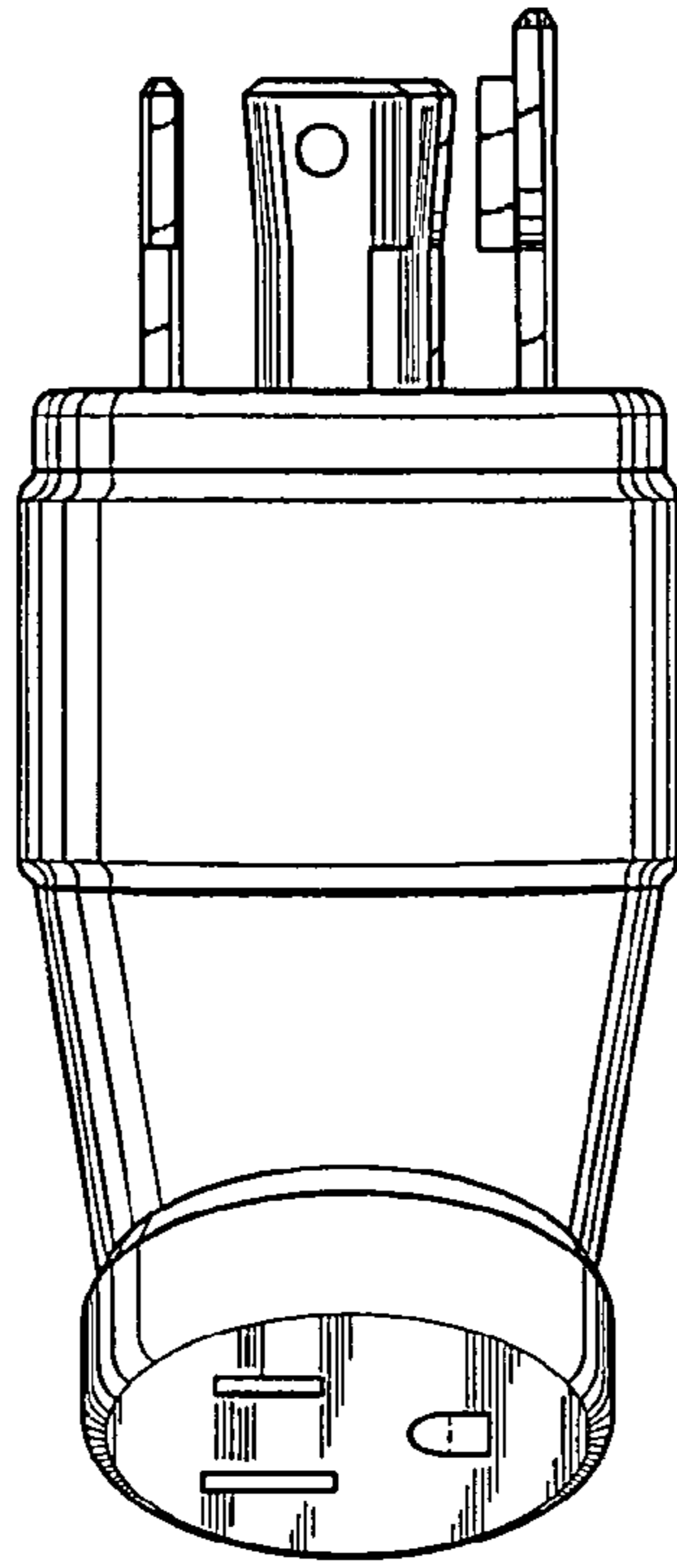


Fig. 7

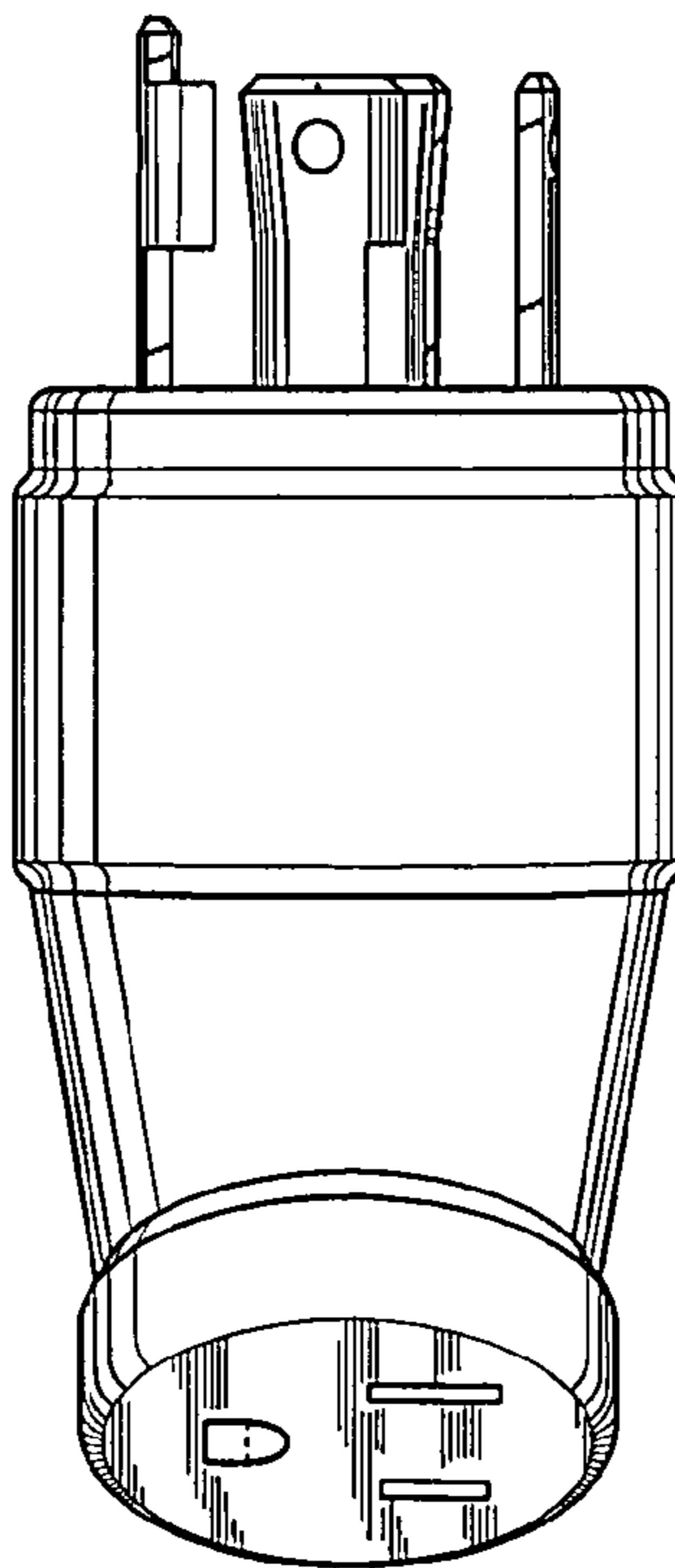


Fig. 8