



US00D702635S

(12) **United States Design Patent**
Haapaniemi et al.

(10) **Patent No.:** **US D702,635 S**
(45) **Date of Patent:** **** Apr. 15, 2014**

(54) **TABLE STAND WITH PANEL**

(71) Applicants: **Hannu Haapaniemi**, Mäntäsälä (FI);
Jukka Nurmi, Vantaa (FI); **Aaro Pallasmaa**, Helsinki (FI); **Mikko Paakkinen**, Espoo (FI)

(72) Inventors: **Hannu Haapaniemi**, Mäntäsälä (FI);
Jukka Nurmi, Vantaa (FI); **Aaro Pallasmaa**, Helsinki (FI); **Mikko Paakkinen**, Espoo (FI)

(73) Assignee: **ABB OY**, Helsinki (FI)

(**) Term: **14 Years**

(21) Appl. No.: **29/438,588**

(22) Filed: **Nov. 30, 2012**

Related U.S. Application Data

(62) Division of application No. 29/371,215, filed on Nov. 29, 2010, now Pat. No. Des. 677,222.

(30) **Foreign Application Priority Data**

Jun. 9, 2010 (EM) 001220511-0001-0004

(51) **LOC (10) Cl.** **13-02**

(52) **U.S. Cl.**
USPC **D13/110**

(58) **Field of Classification Search**

USPC D13/110, 108, 118, 123, 162, 168, 169,
D13/174, 177, 184, 199; D10/103;
D14/257, 432, 438; 16/404; 334/7, 10;
337/186; 361/600, 601, 692, 730;
363/141, 142

See application file for complete search history.

(56) **References Cited**

U.S. PATENT DOCUMENTS

D382,216 S * 8/1997 Dore D10/96
5,666,268 A * 9/1997 Rix et al. 361/692

(Continued)

Primary Examiner — Derrick Holland

(74) *Attorney, Agent, or Firm* — Dykema Gossett PLLC

(57) **CLAIM**

The ornamental design for a table stand with panel, as shown and described.

DESCRIPTION

FIG. 1 is a perspective top, front and left side view of a table stand with panel showing our new design, with the panel shown separately for ease of illustration;

FIG. 2 is a perspective bottom, front and right side view thereof;

FIG. 3 is a perspective top, rear and left side view thereof;

FIG. 4 is a perspective top, front and right side view thereof;

FIG. 5 is a front view thereof;

FIG. 6 is a rear view thereof;

FIG. 7 is a top view thereof;

FIG. 8 is a bottom view thereof;

FIG. 9 is a right side view thereof;

FIG. 10 is a left side view thereof;

FIG. 11 is a perspective top, front and left side view of the table stand shown separately for ease of illustration;

FIG. 12 is a perspective bottom, front and right side view thereof;

FIG. 13 is a front view thereof;

FIG. 14 is a top view thereof;

FIG. 15 is a bottom view thereof;

FIG. 16 is a right side view thereof;

FIG. 17 is a left side view thereof;

FIG. 18 is a perspective top, front and left side view of the table stand with panel shown in a connected condition;

FIG. 19 is a perspective front, bottom and right side view thereof;

FIG. 20 is a front view thereof;

FIG. 21 is a rear view thereof;

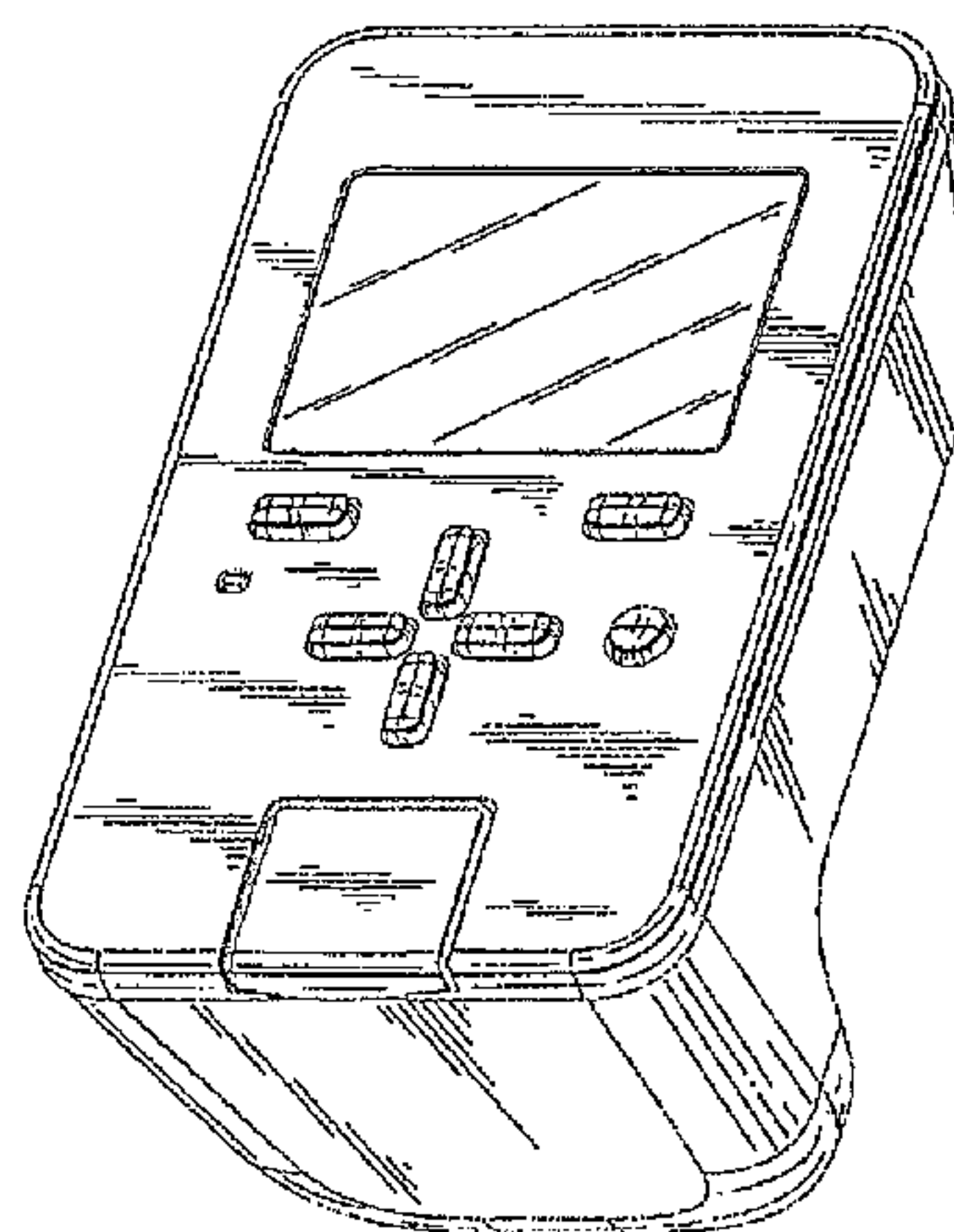
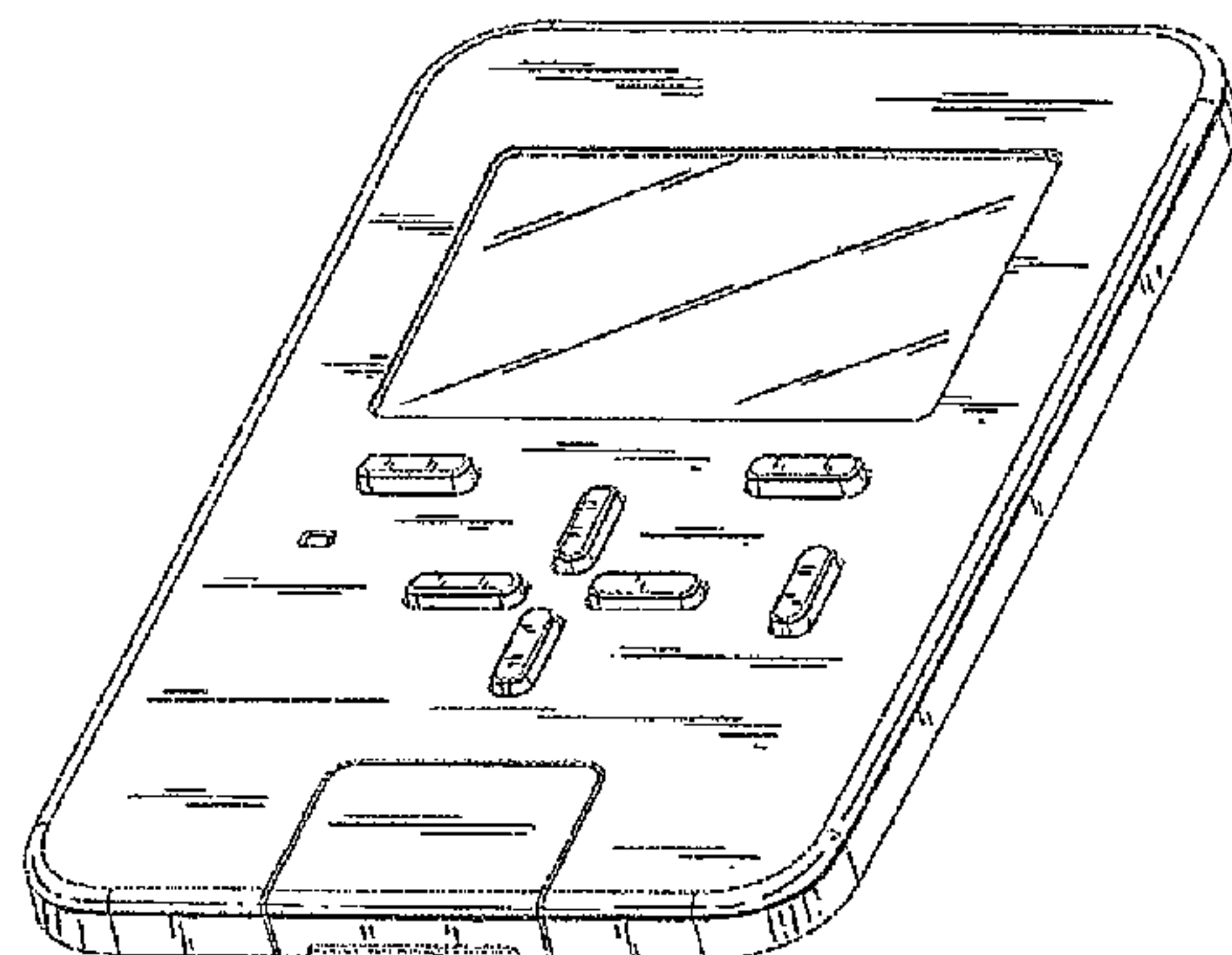
FIG. 22 is a top view thereof;

FIG. 23 is a bottom view thereof;

FIG. 24 is a right side view thereof; and,

FIG. 25 is a left side view thereof.

1 Claim, 25 Drawing Sheets



(56)

References Cited

U.S. PATENT DOCUMENTS

D403,301 S * 12/1998 Lehmann et al. D13/110
5,949,640 A * 9/1999 Cameron et al. 361/600
D450,305 S * 11/2001 Masuzoe et al. D13/168
D455,399 S * 4/2002 Imamura et al. D13/110

D502,916 S * 3/2005 Higuchi et al. D13/110
D555,602 S * 11/2007 Park D13/162
D604,239 S * 11/2009 Engel et al. D13/110
D610,553 S * 2/2010 Makela D13/162
D616,815 S * 6/2010 Jadraque Aznarez
et al. D13/110

* cited by examiner

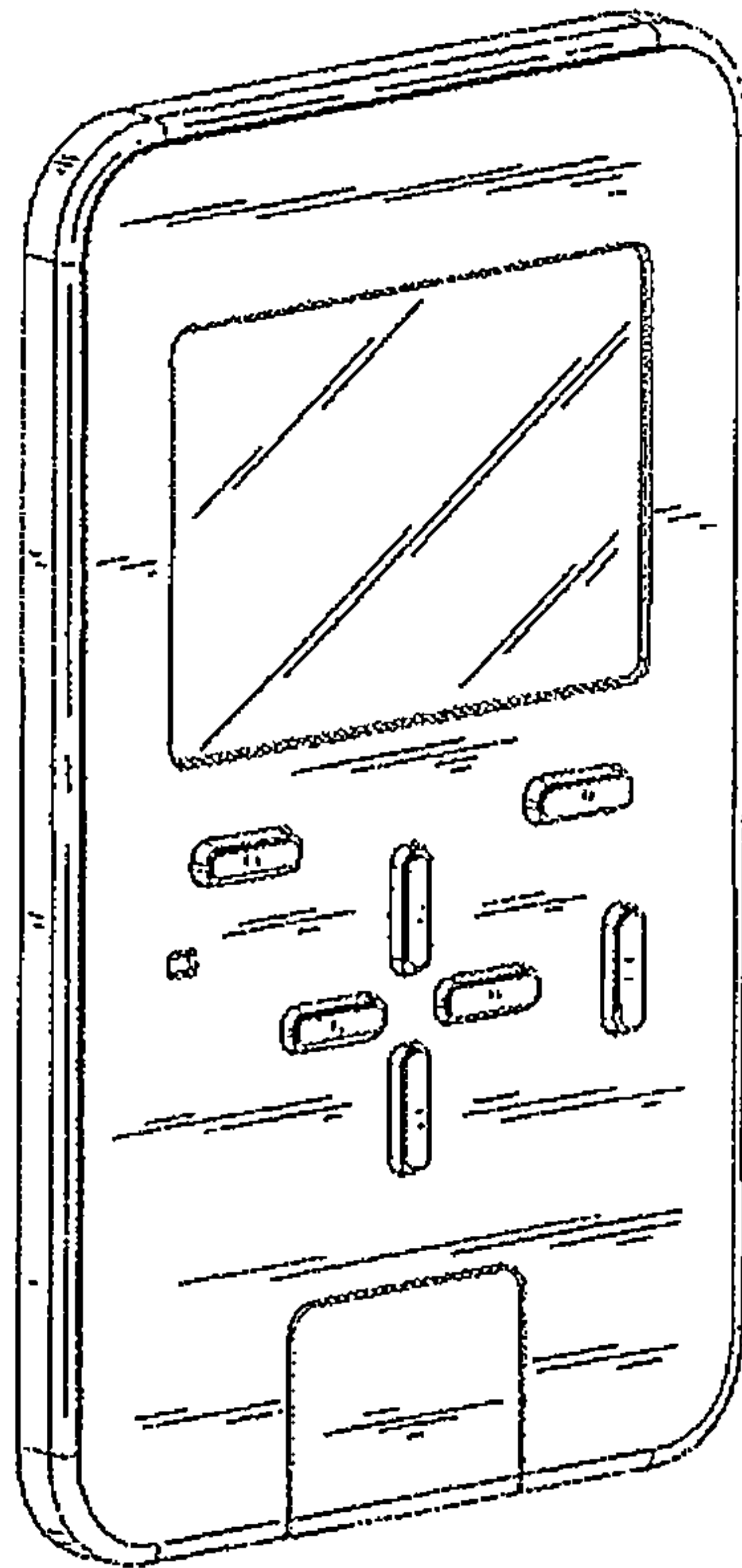


FIGURE 1

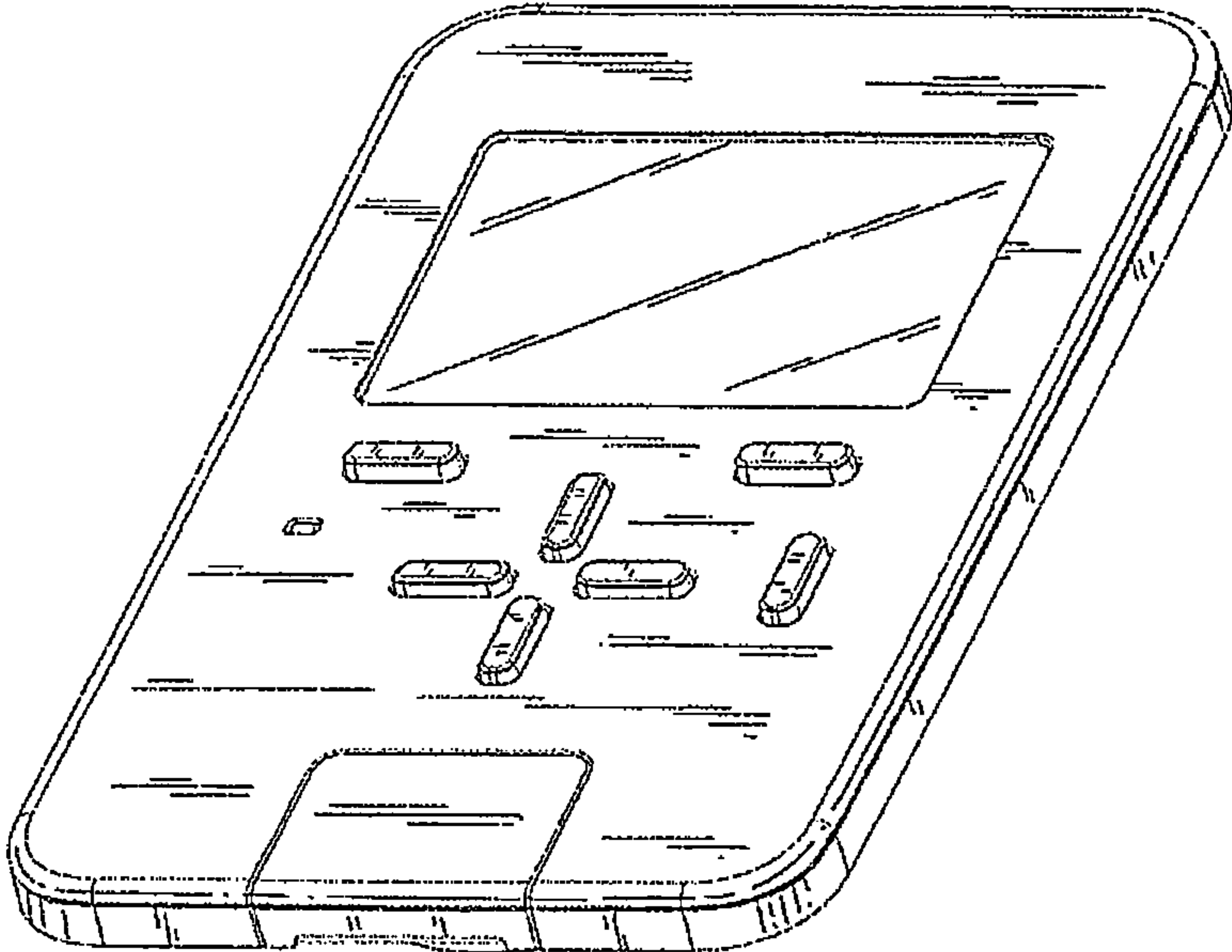


FIGURE 2

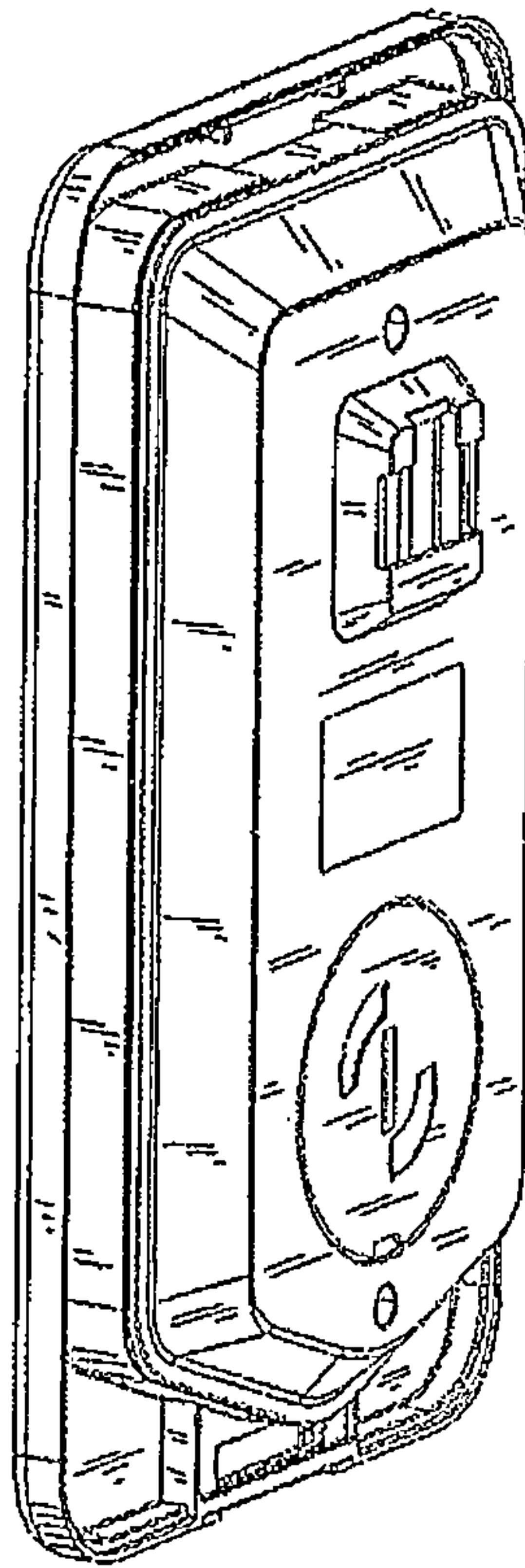


FIGURE 3

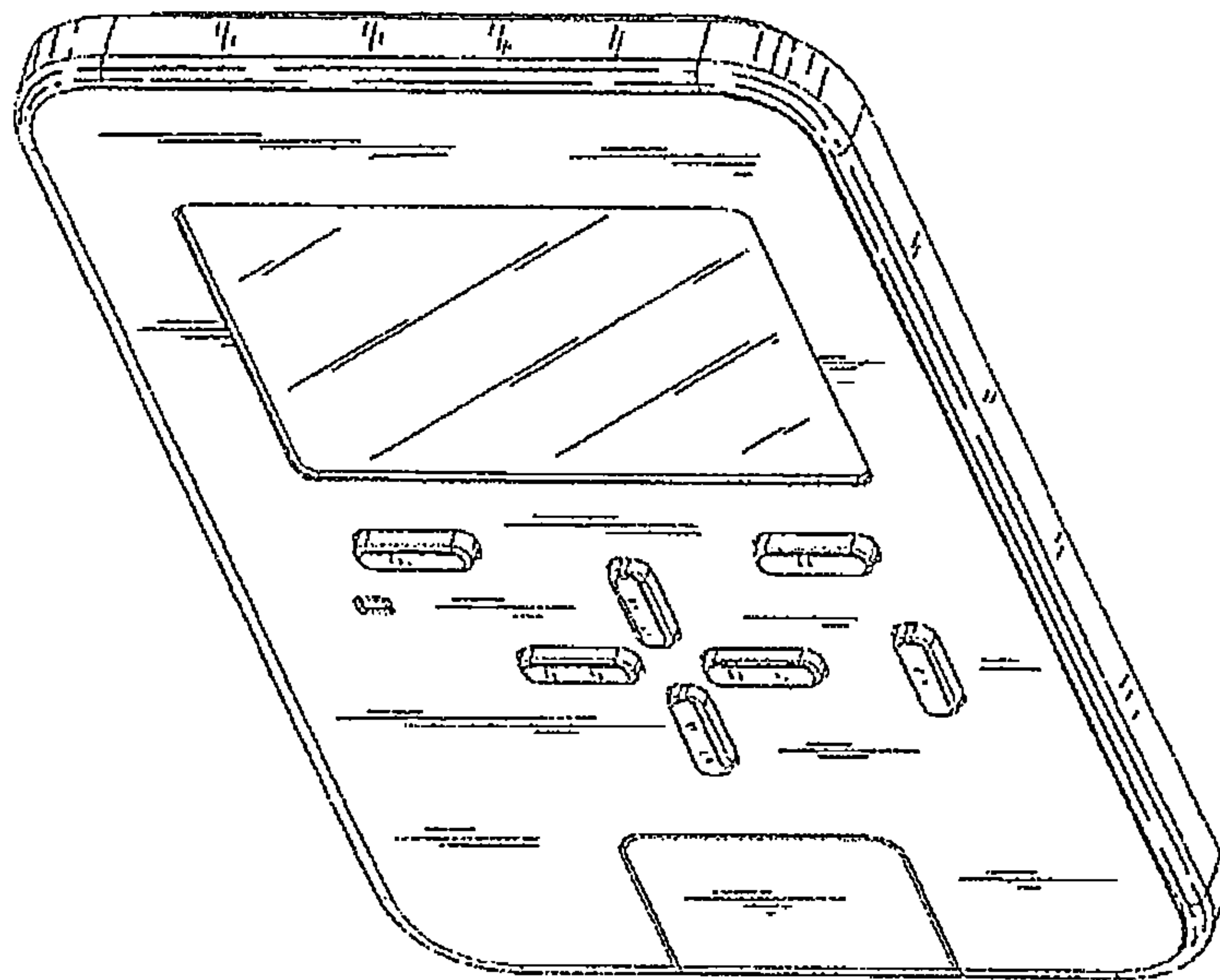


FIGURE 4

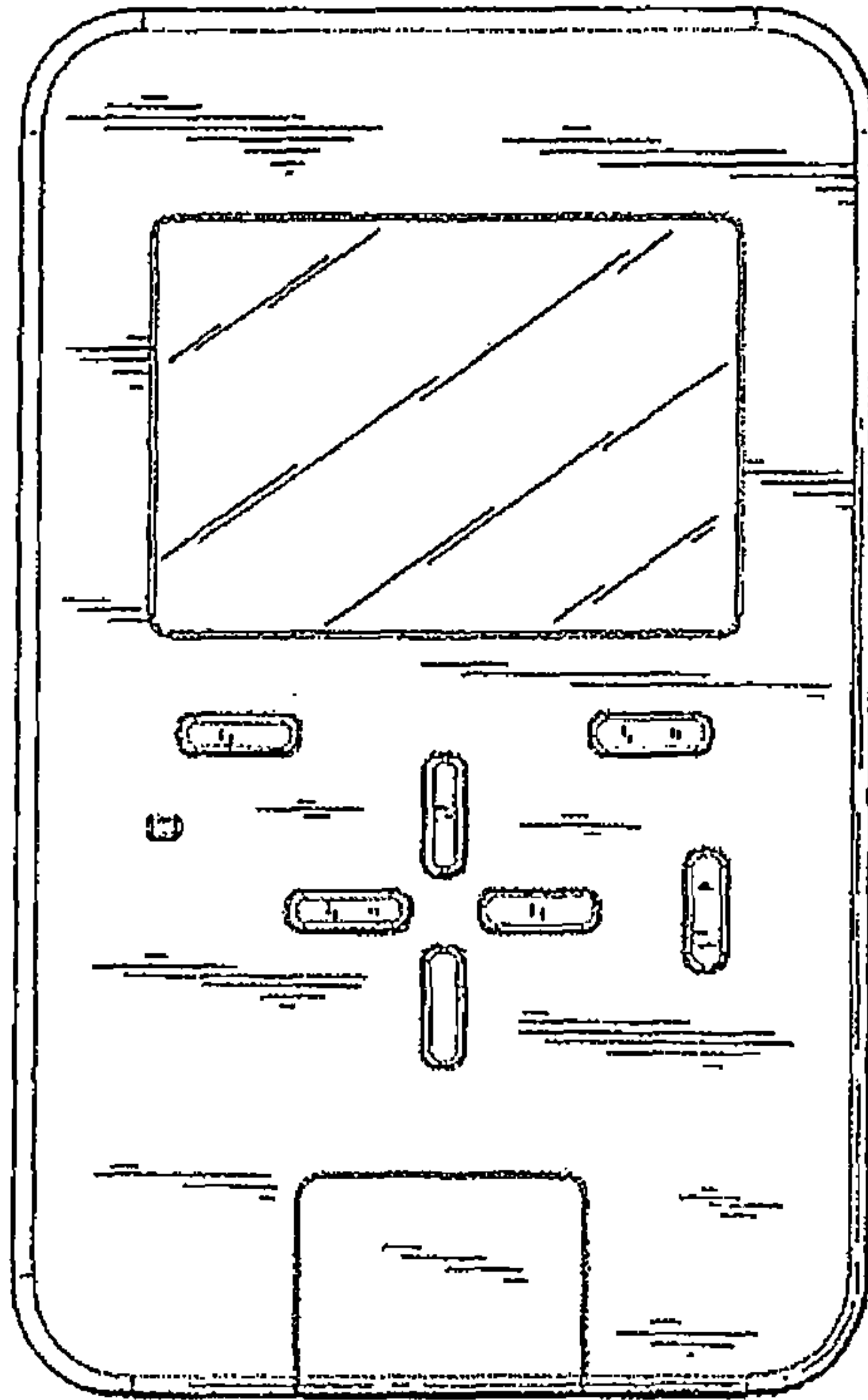


FIGURE 5

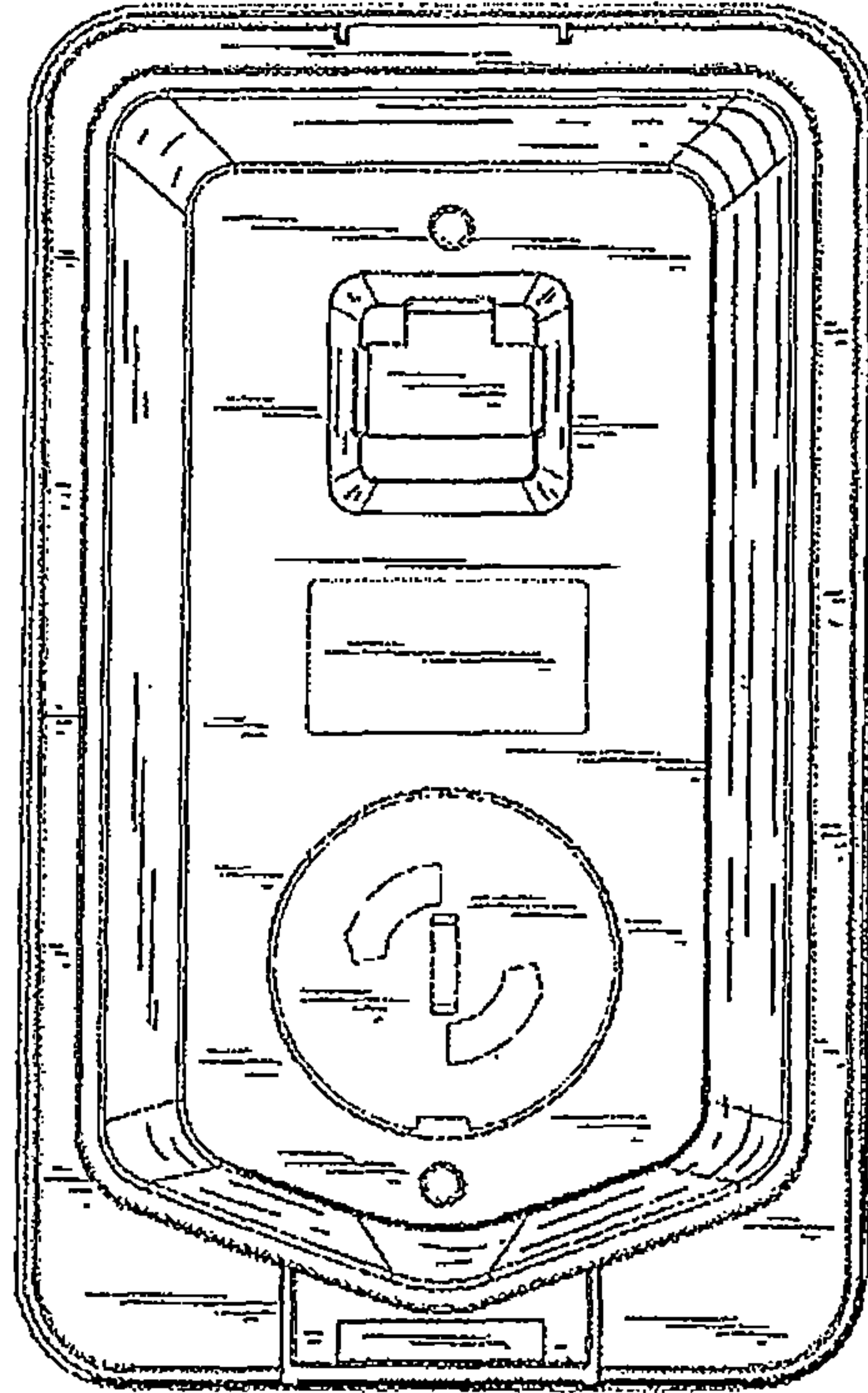


FIGURE 6

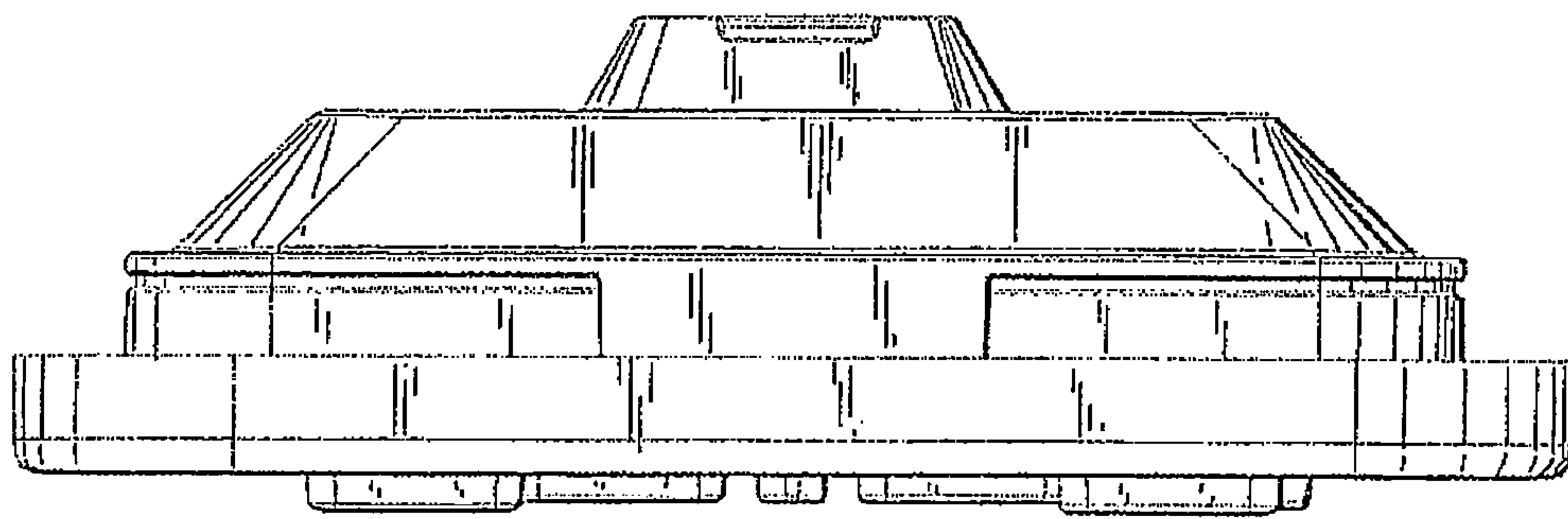


FIGURE 7

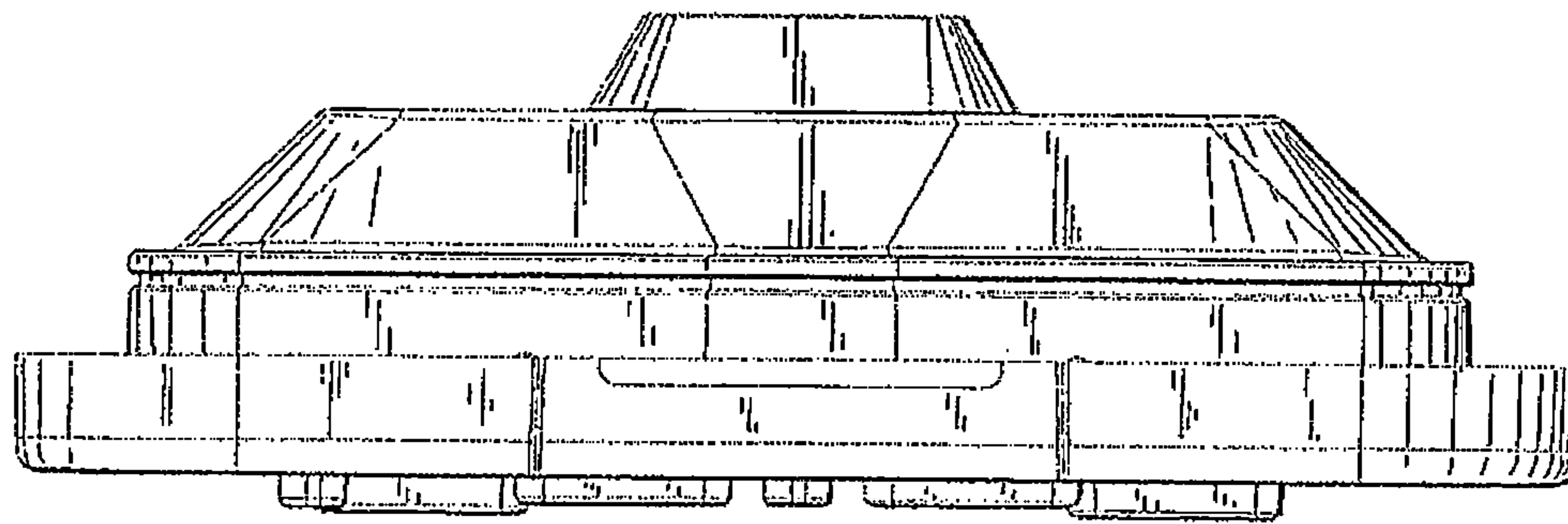


FIGURE 8

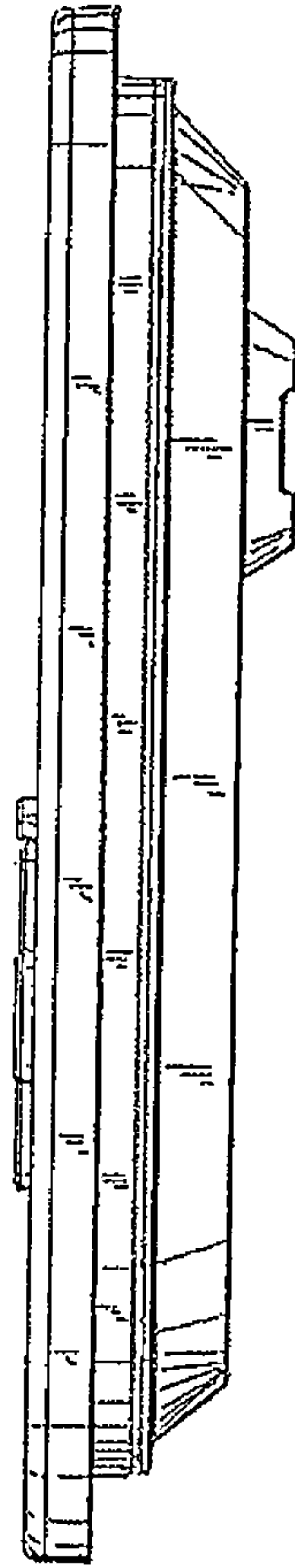


FIGURE 9

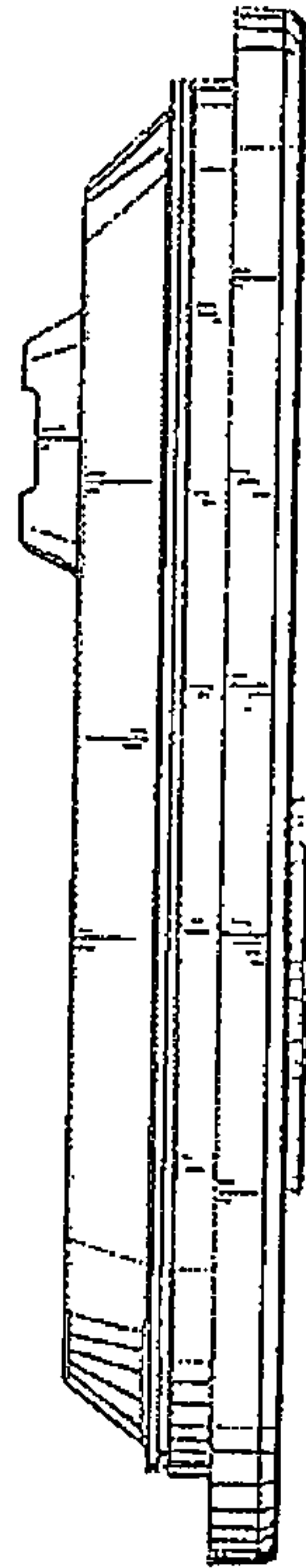


FIGURE 10

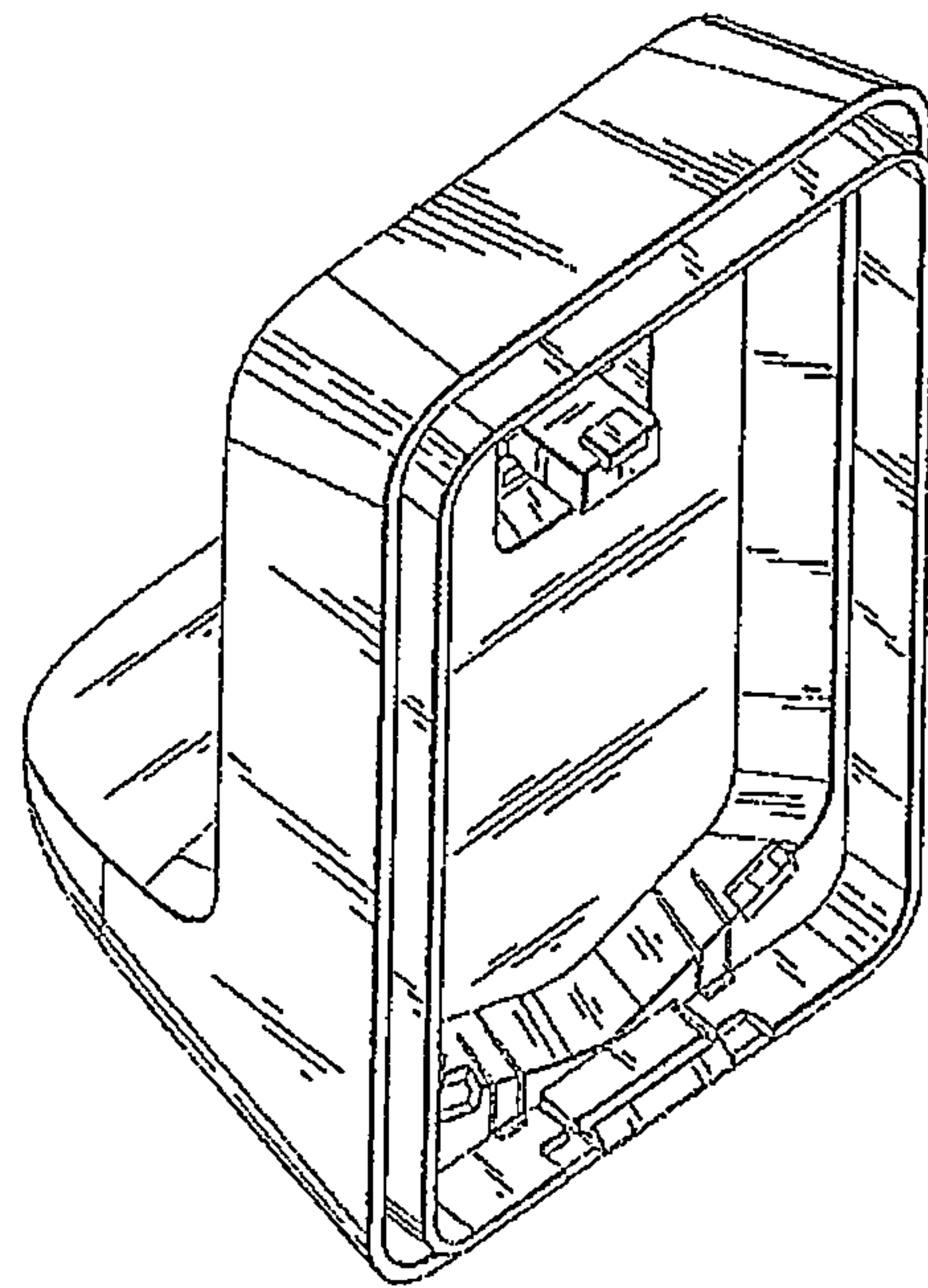


FIGURE II

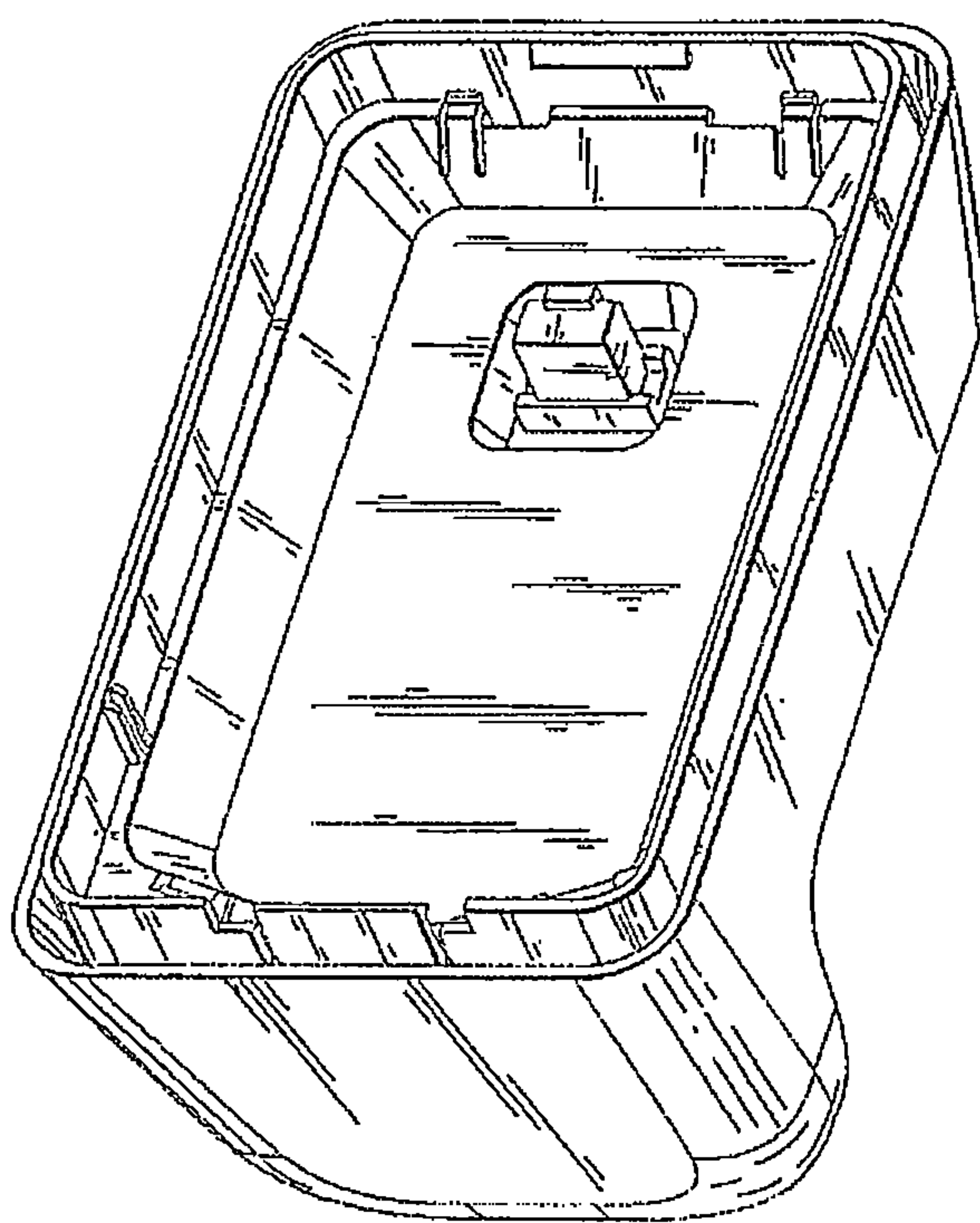


FIGURE 12

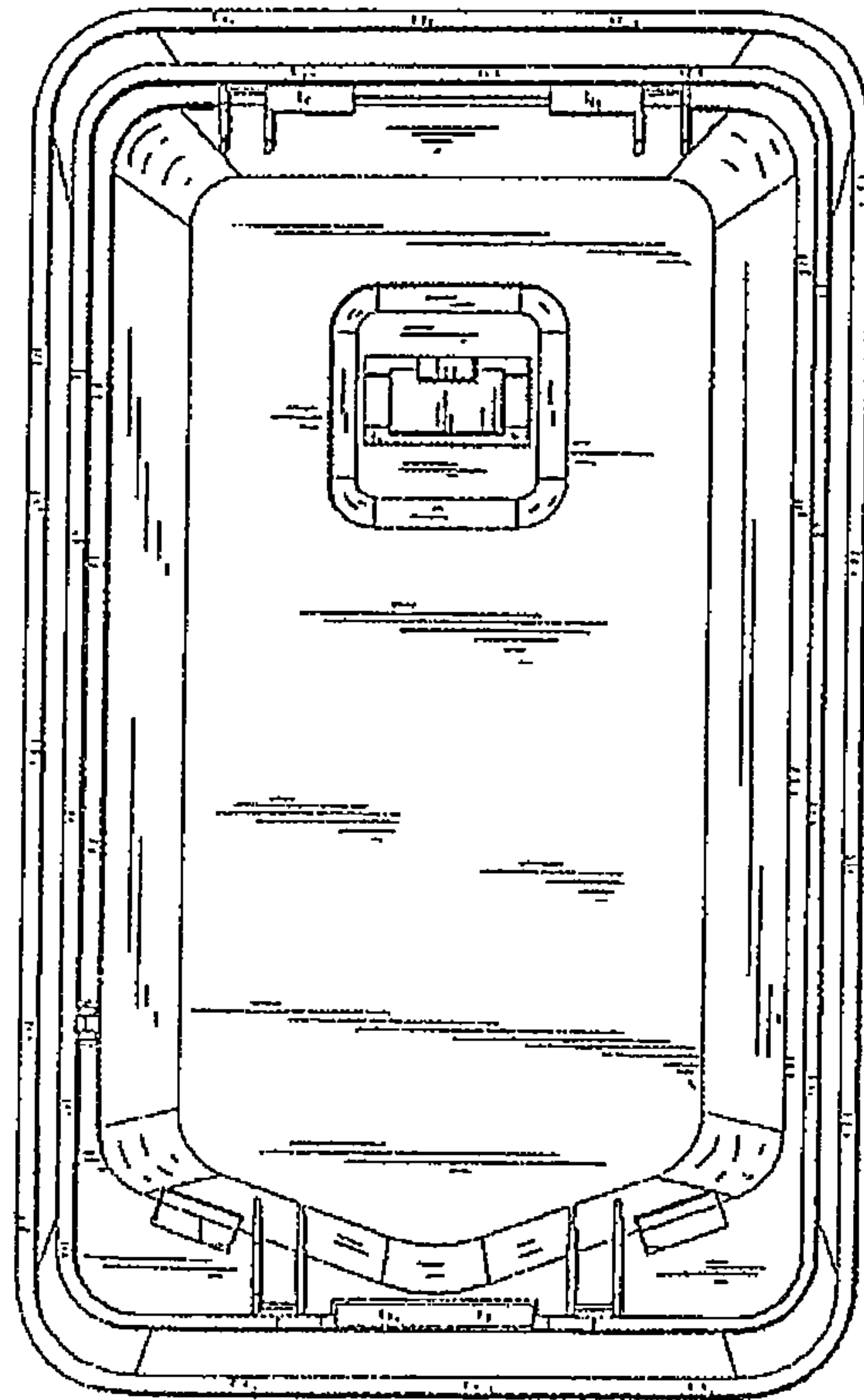


FIGURE 13

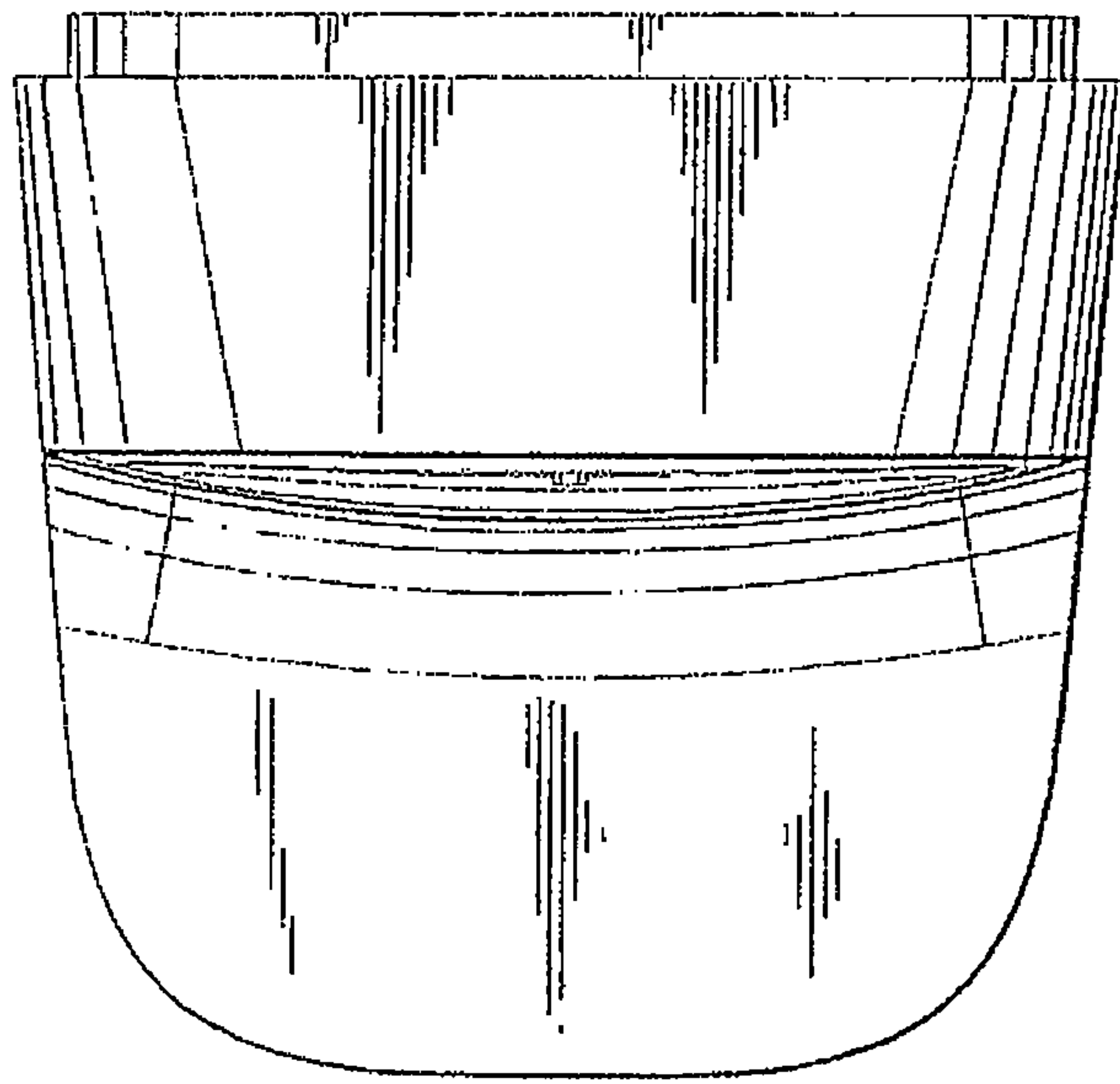


FIGURE 14

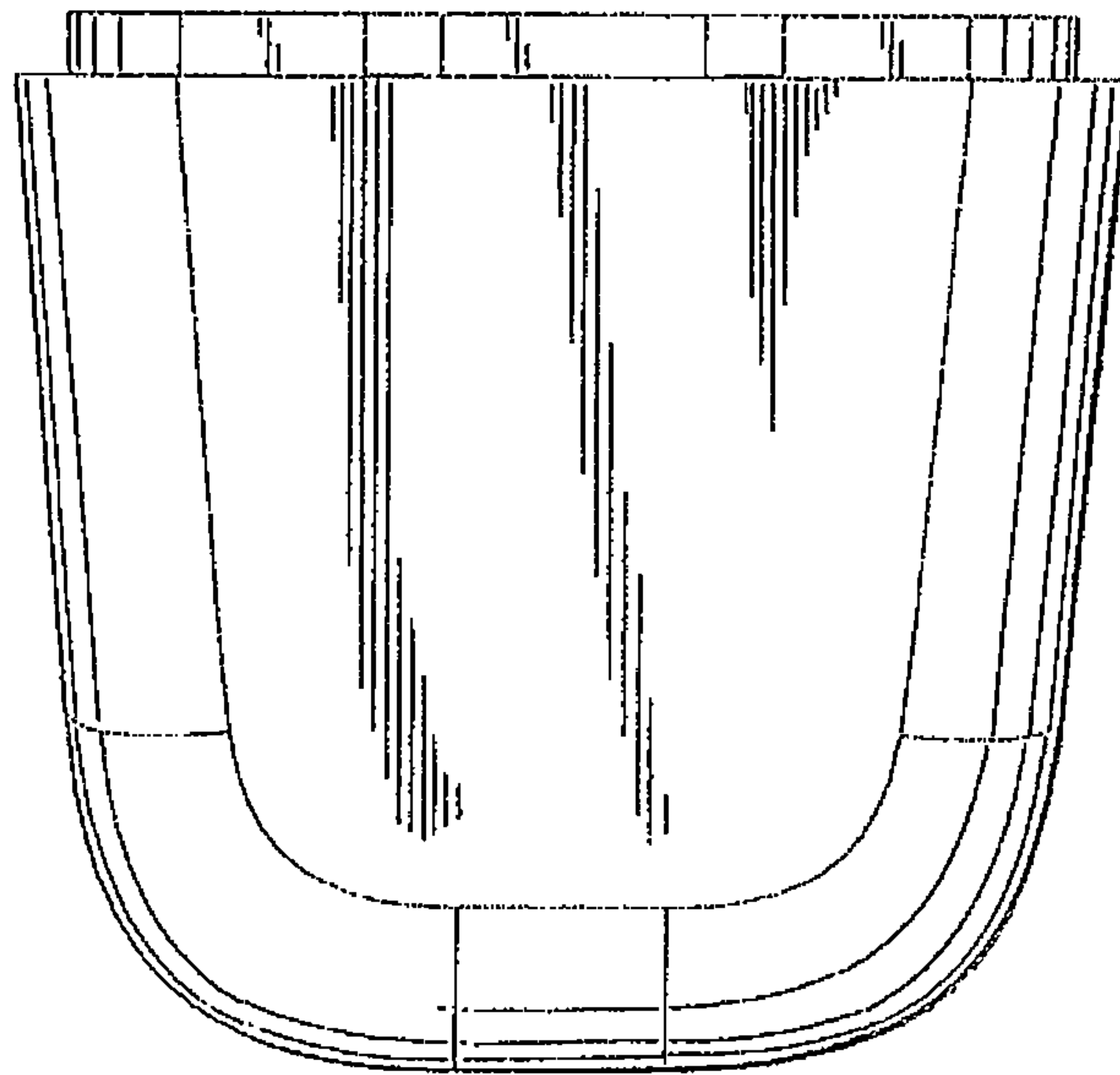


FIGURE 15

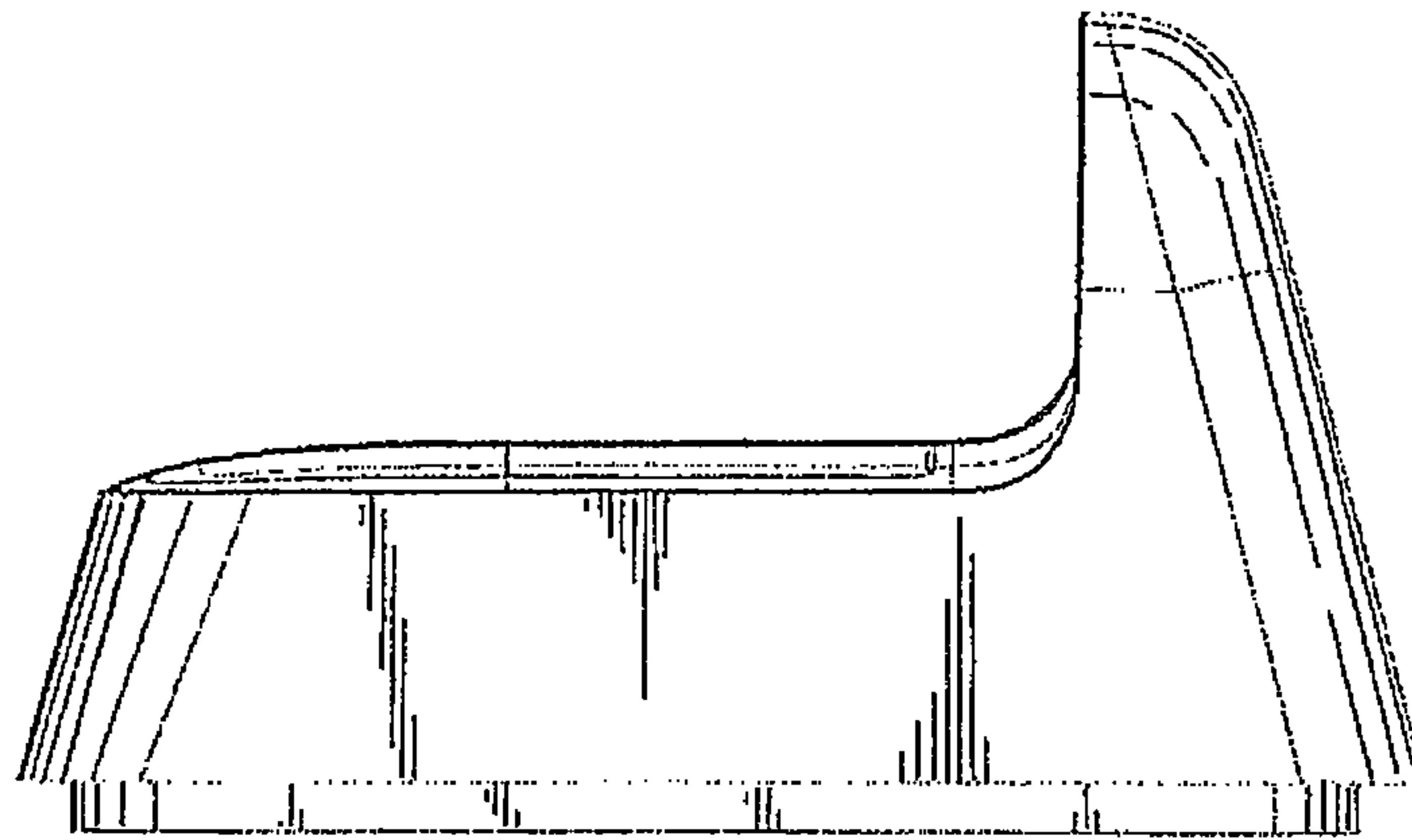


FIGURE 16

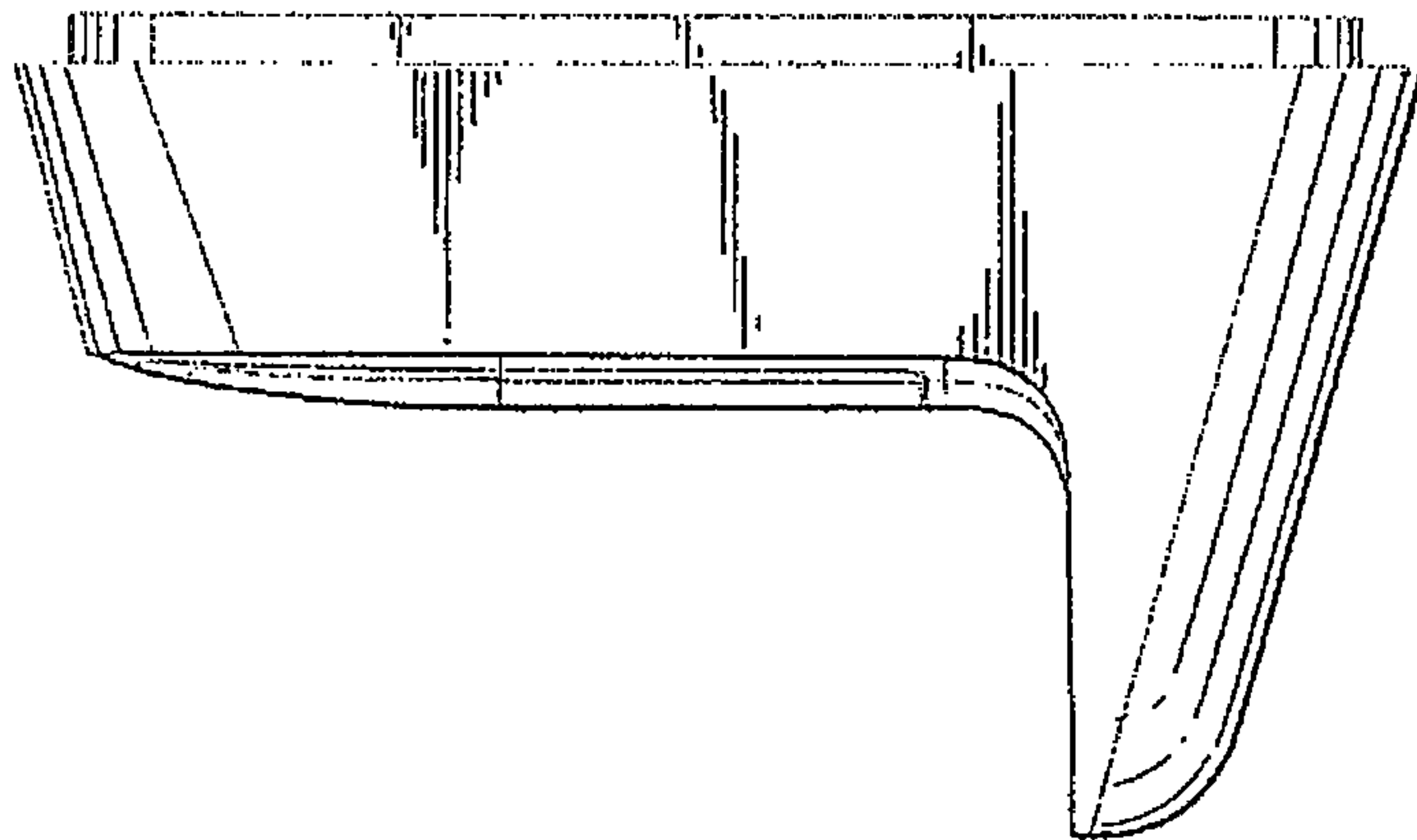


FIGURE 17

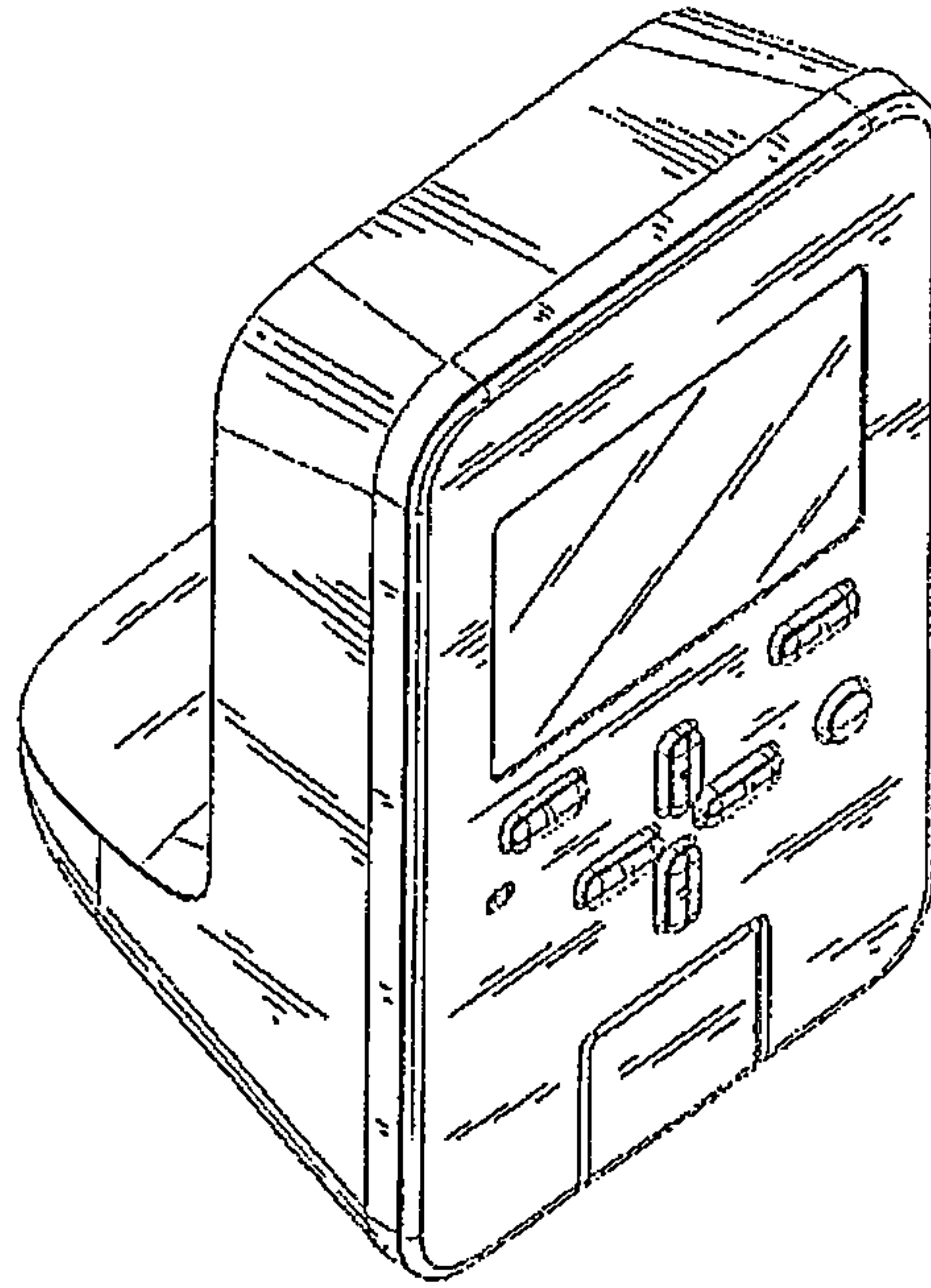


FIGURE 18

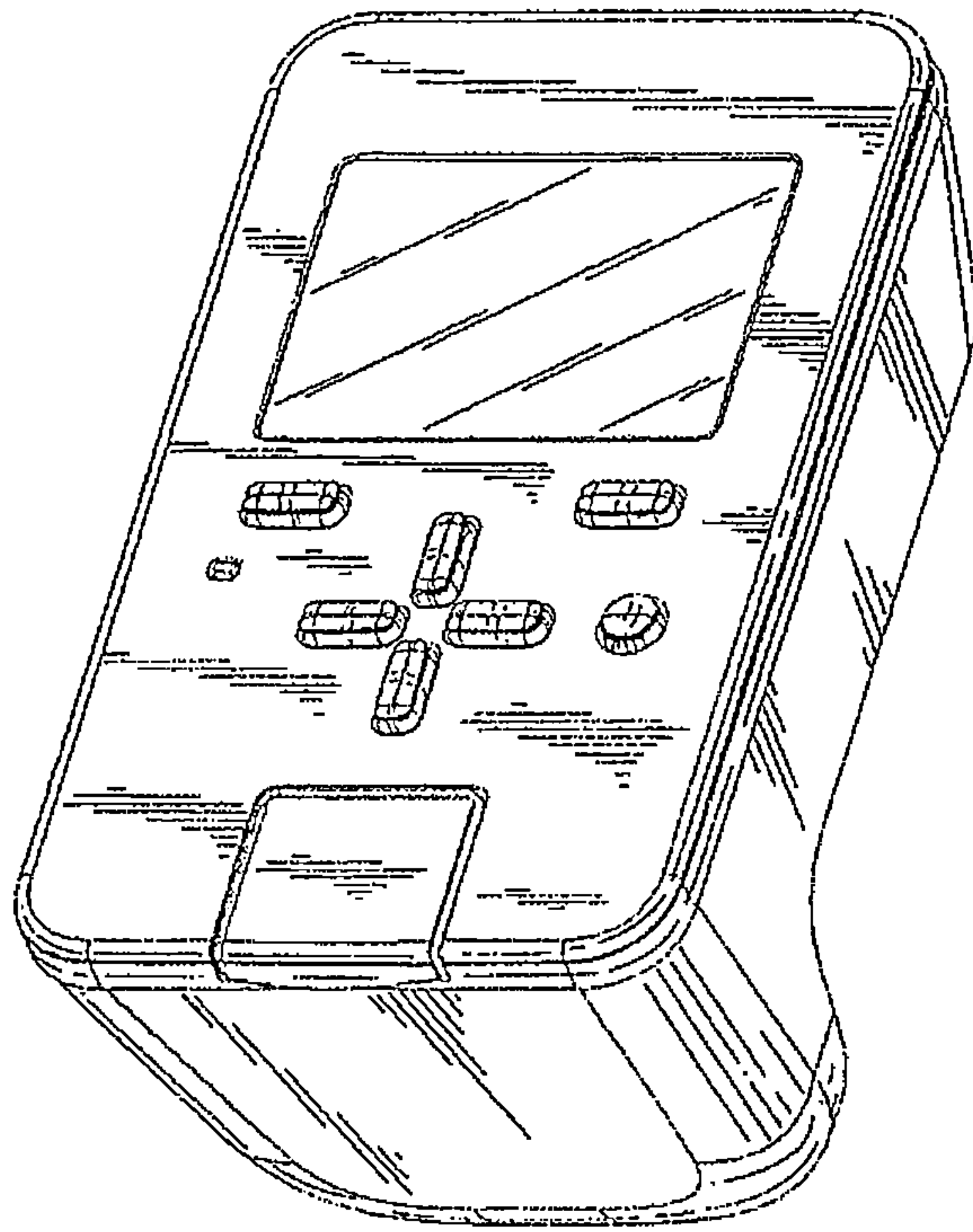


FIGURE 19

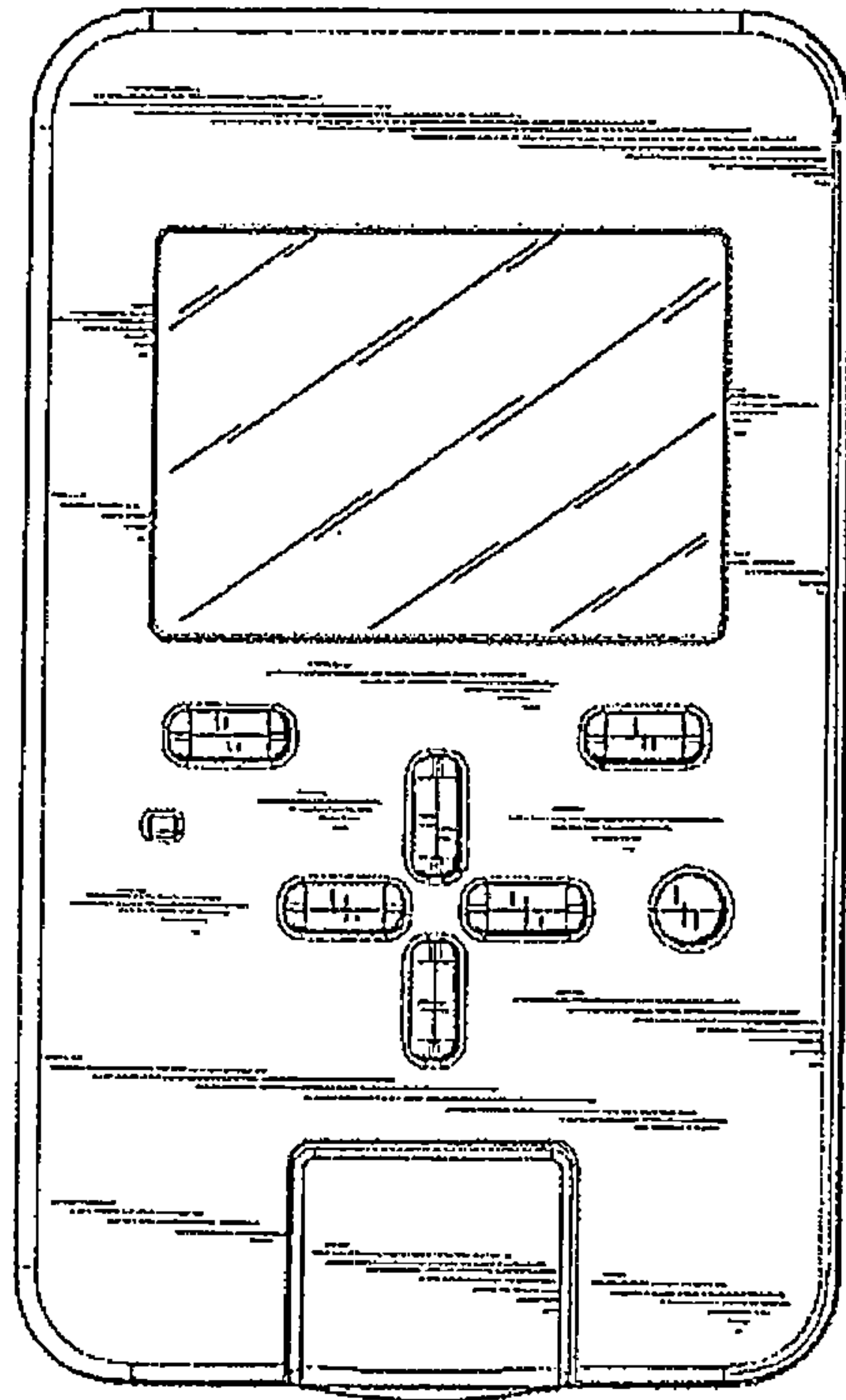


FIGURE 20

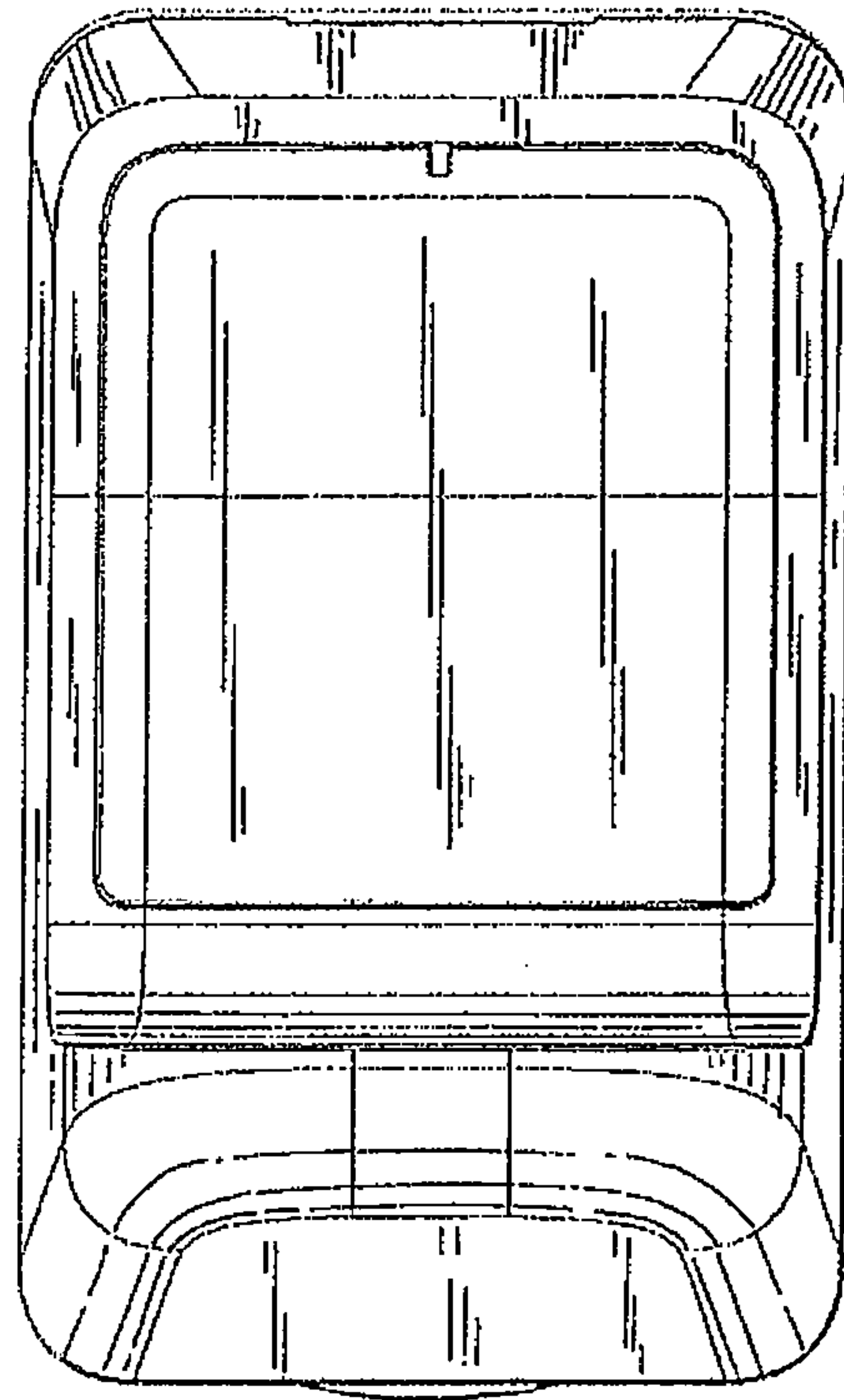


FIGURE 21

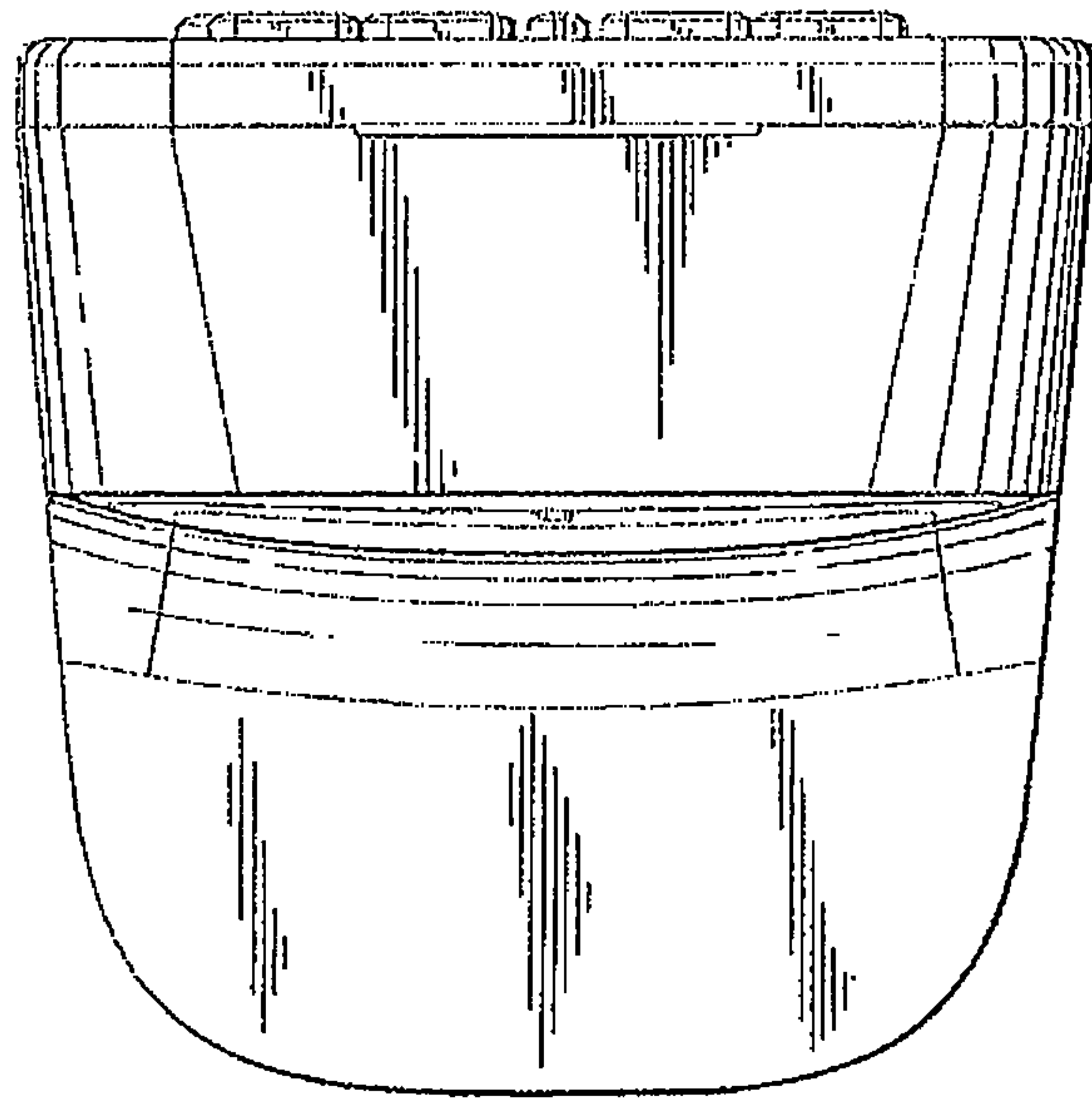


FIGURE 22

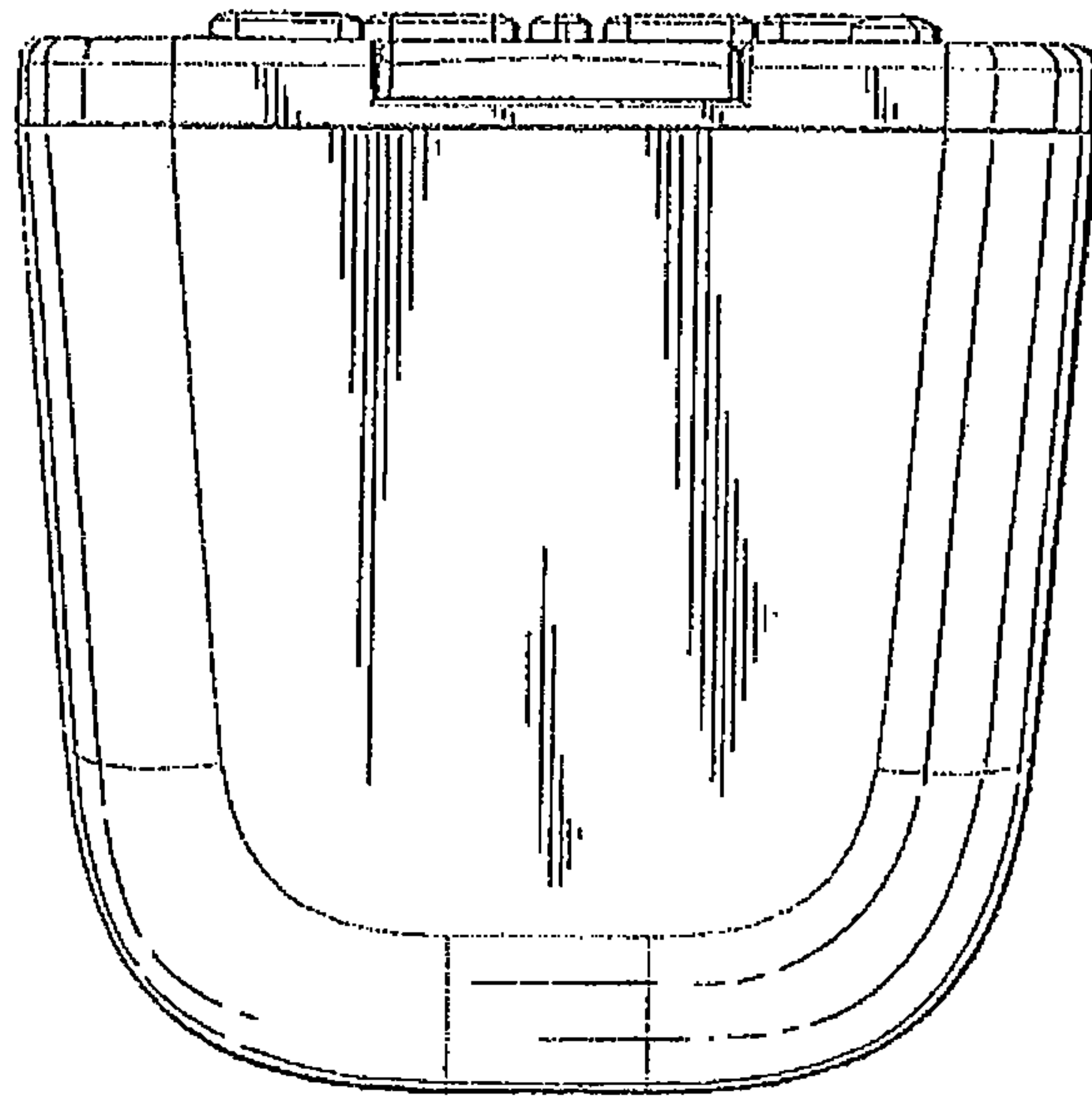
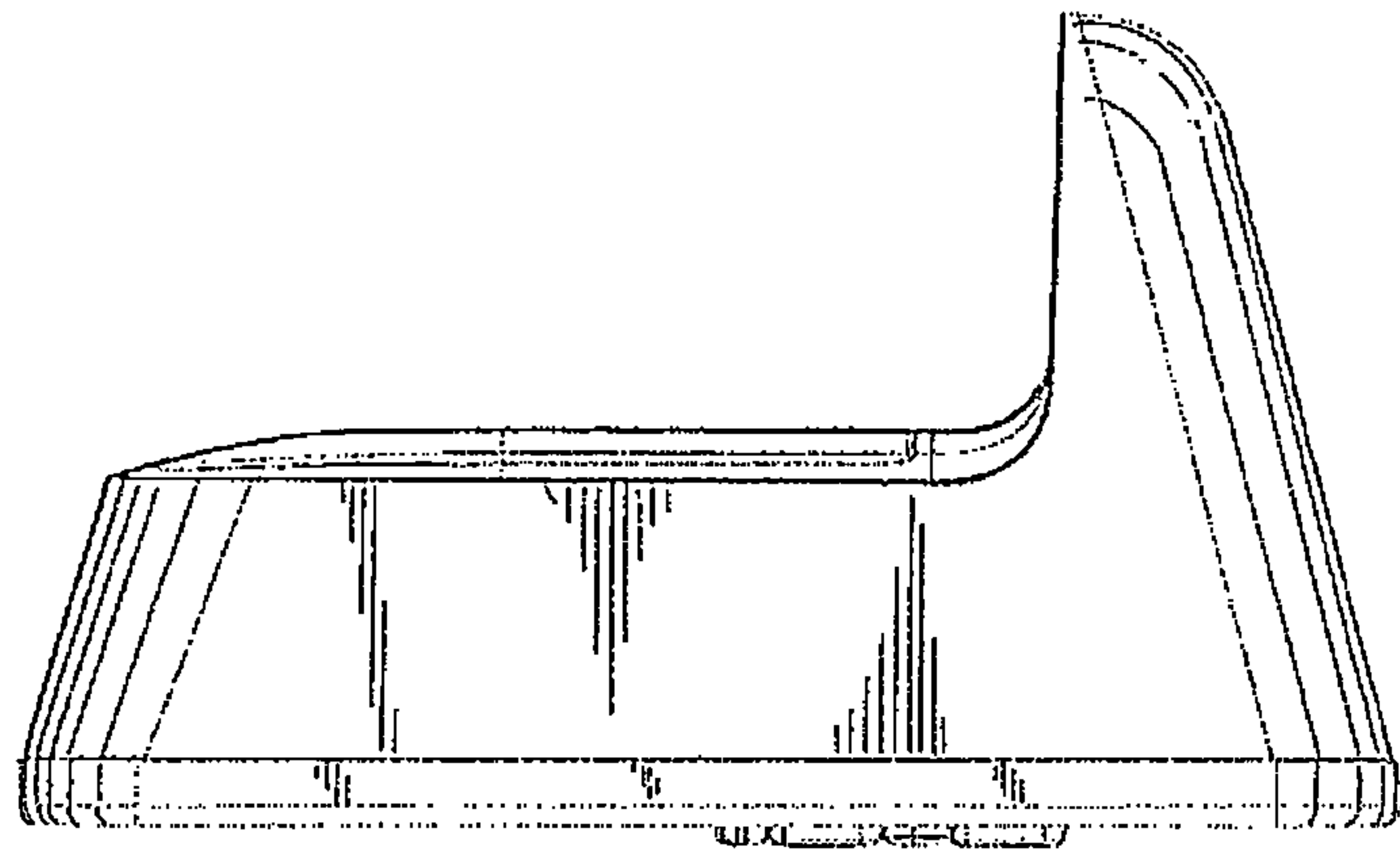


FIGURE 23

FIGURE 24



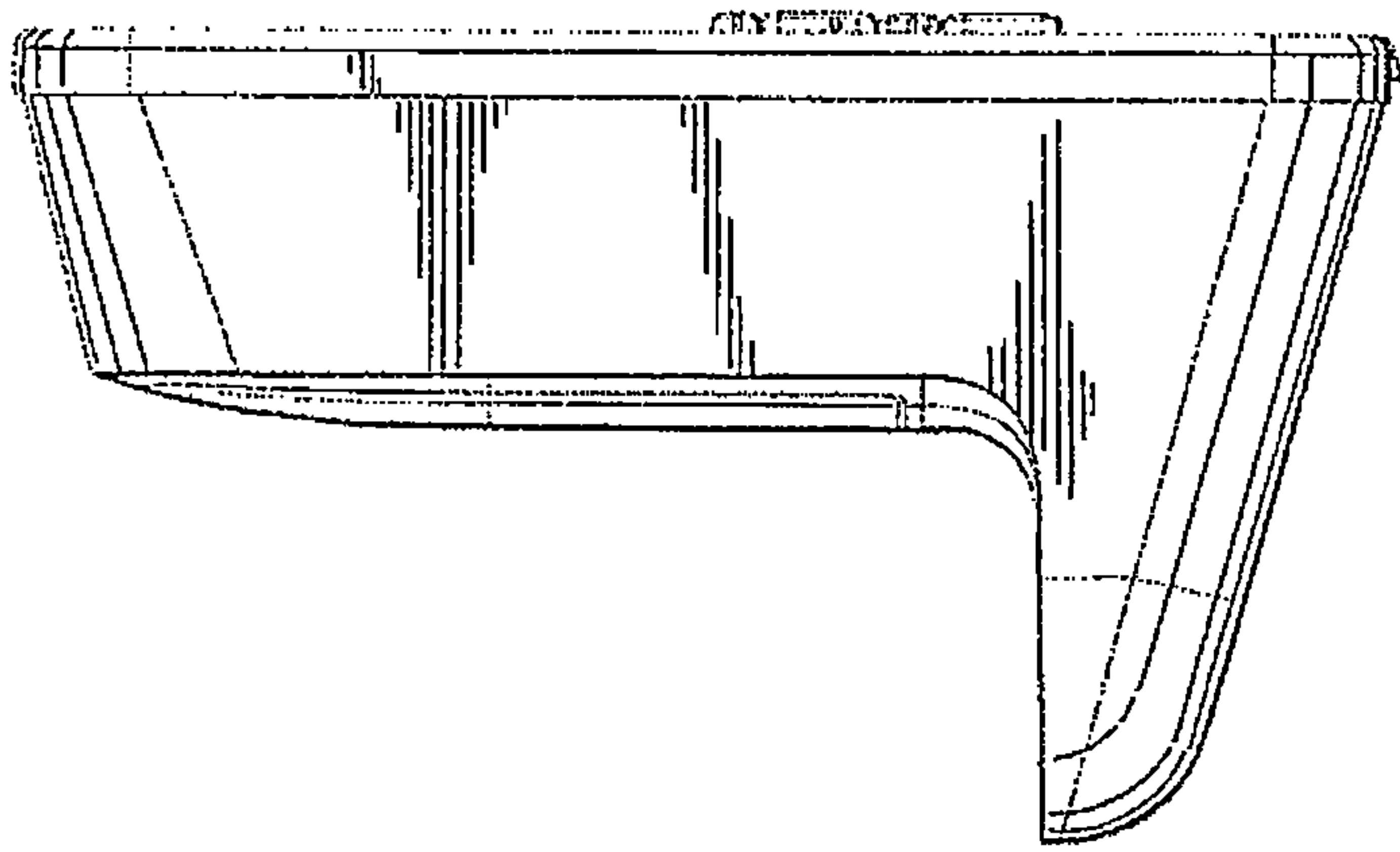


FIGURE 25