

US00D702633S

(12) **United States Design Patent**
Andre et al.

(10) **Patent No.:** **US D702,633 S**
(45) **Date of Patent:** **** Apr. 15, 2014**

(54) **POWER ADAPTER**

(75) Inventors: **Bartley K. Andre**, Menlo Park, CA (US); **Daniel J. Coster**, San Francisco, CA (US); **Daniele De Iulius**, San Francisco, CA (US); **Richard P. Howarth**, San Francisco, CA (US); **Jonathan P. Ive**, San Francisco, CA (US); **Steve Jobs**, Palo Alto, CA (US); **Duncan Robert Kerr**, San Francisco, CA (US); **Matthew Dean Rohrbach**, San Francisco, CA (US); **Douglas B. Satzger**, Menlo Park, CA (US); **Calvin Q. Seid**, Palo Alto, CA (US); **Vincent Keane Seid**, legal representative, Los Gatos, CA (US); **Christopher J. Stringer**, Woodside, CA (US); **Eugene Antony Whang**, San Francisco, CA (US)

(73) Assignee: **Apple Inc.**, Cupertino, CA (US)

(**) Term: **14 Years**

(21) Appl. No.: **29/422,077**

(22) Filed: **May 16, 2012**

Related U.S. Application Data

(60) Continuation of application No. 29/376,321, filed on Oct. 5, 2010, now Pat. No. Des. 661,649, which is a continuation of application No. 12/838,397, filed on

(Continued)

(51) **LOC (10) Cl.** **13-02**

(52) **U.S. Cl.**
USPC **D13/110**

(58) **Field of Classification Search**

USPC D13/110, 107, 108, 123, 133, 137.1, D13/138.1, 184, 199; D14/240, 251, 253, D14/432, 433, 434; 174/53, 54, 59, 61; 307/150, 151; 320/111, 114, 115; 363/132, 140, 142, 143, 146; 439/105, 439/131, 166, 171-173, 218, 518, 692, 956

See application file for complete search history.

(56) **References Cited**

U.S. PATENT DOCUMENTS

5,634,806 A * 6/1997 Hahn 439/173
5,684,689 A * 11/1997 Hahn 363/146
D498,462 S 11/2004 Andre et al.

(Continued)

FOREIGN PATENT DOCUMENTS

GB 7927747 3/1981

OTHER PUBLICATIONS

U.S. Appl. No. 29/376,321, filed Oct. 5, 2010, entitled "Power Adapter".

Primary Examiner — Derrick Holland

(74) *Attorney, Agent, or Firm* — SAIDMAN DesignLaw Group

(57) **CLAIM**

The ornamental design for a power adapter, as shown and described.

DESCRIPTION

FIG. 1 is a perspective view a first embodiment of a power adapter showing our new design;

FIG. 2 is a right side view thereof, the left side view being a mirror image;

FIG. 3 is a rear view thereof;

FIG. 4 is a bottom view thereof;

FIG. 5 is a perspective view a second embodiment thereof;

FIG. 6 is a right side view thereof, the left side view being a mirror image;

FIG. 7 is a rear view thereof;

FIG. 8 is a bottom view thereof;

FIG. 9 is a perspective view a third embodiment thereof;

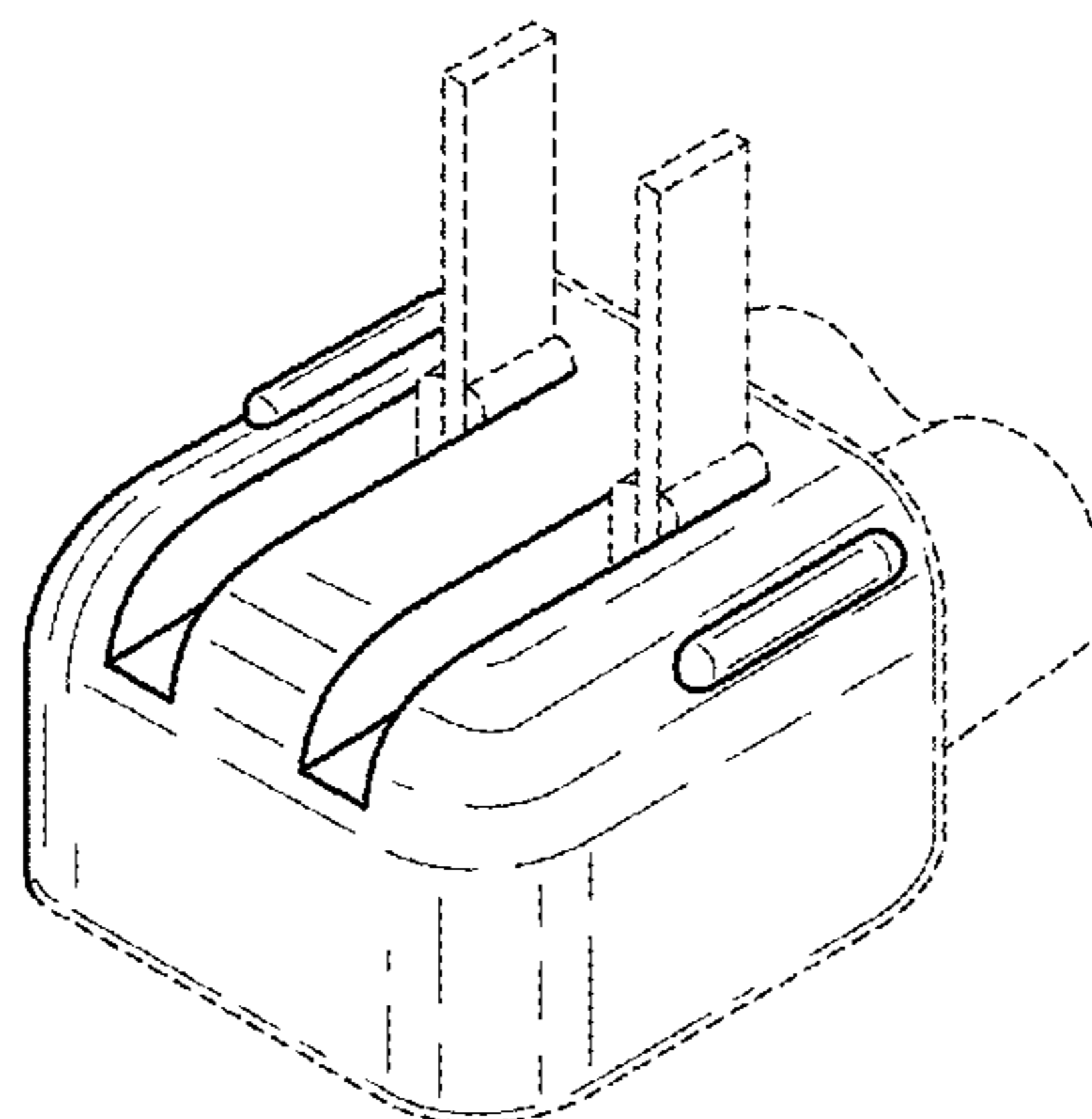
FIG. 10 is a right side view thereof, the left side view being a mirror image;

FIG. 11 is a rear view thereof; and,

FIG. 12 is a bottom view thereof.

The broken lines shown represent unclaimed subject matter only and form no part of the claim. Where broken lines abut a shaded surface it is understood that those broken lines represent an unclaimed boundary between claimed and unclaimed surfaces. None of the broken lines form any part of the claimed design.

1 Claim, 3 Drawing Sheets



Related U.S. Application Data

(60) Jul. 16, 2010, now Pat. No. 8,222,773, which is a division of application No. 10/125,893, filed on Apr. 18, 2002, now abandoned, and a continuation of application No. 29/253,133, filed on Oct. 22, 2001, now Pat. No. Des. 478,546, which is a continuation-in-part of application No. 29/145,957, filed on Jul. 31, 2001, now Pat. No. Des. 478,310.

D538,227 S * 3/2007 Holland D7/554.1
D556,138 S * 11/2007 Ng et al. D13/138.1
D573,946 S * 7/2008 Ledbetter et al. D13/110
D587,192 S * 2/2009 McGinley et al. D13/110
D596,572 S * 7/2009 Wu et al. D13/138.1
D601,501 S * 10/2009 Kaibara et al. D13/110
D610,994 S 3/2010 Fahrendorff et al.
D617,275 S 6/2010 Fahrendorff et al.
7,794,251 B2 9/2010 Wen et al.
2005/0269987 A1* 12/2005 Lin 320/115

(56)

References Cited

U.S. PATENT DOCUMENTS

7,008,246 B2 * 3/2006 Zhuge 439/173

* cited by examiner

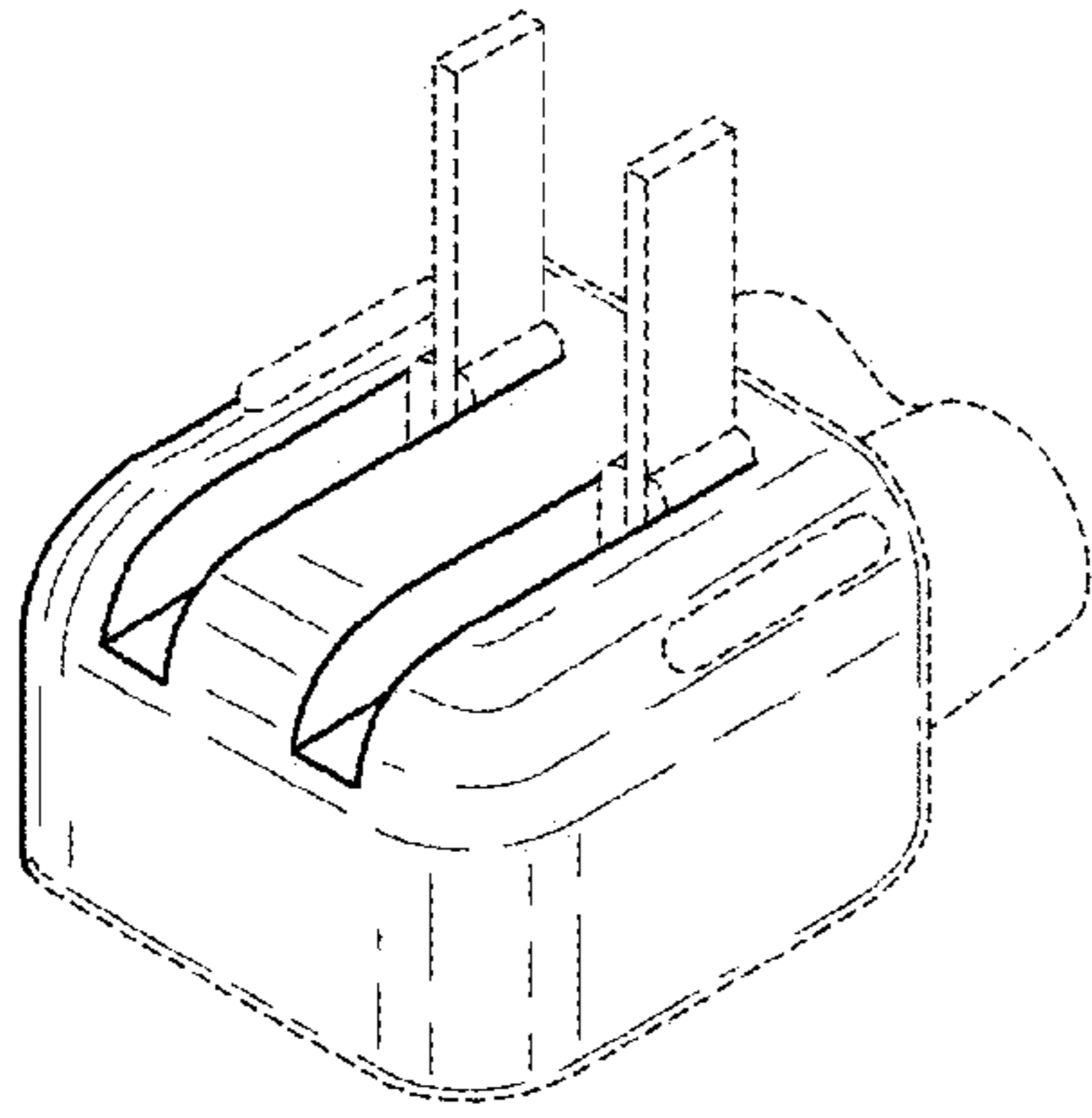


FIG. 1

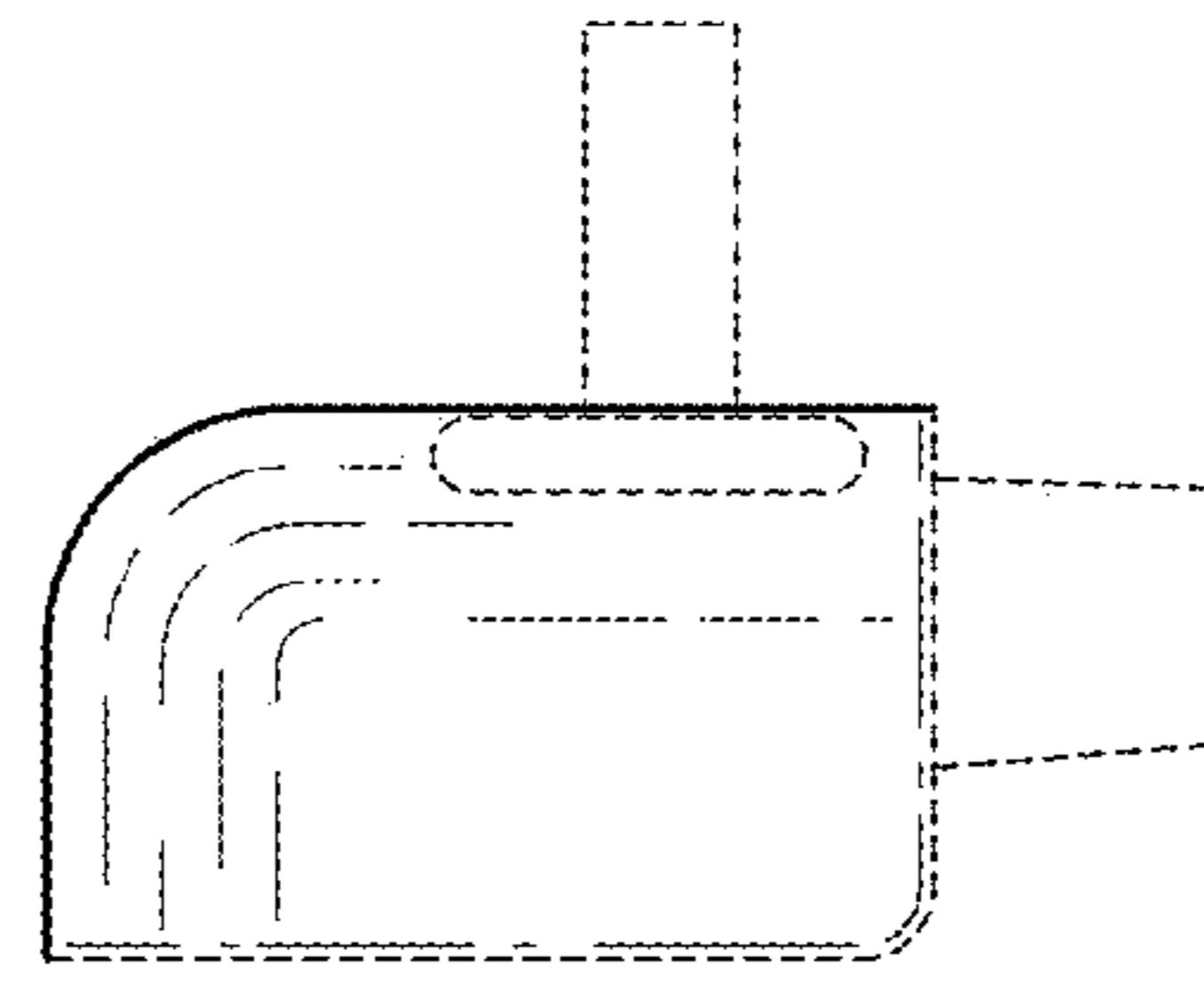


FIG. 2

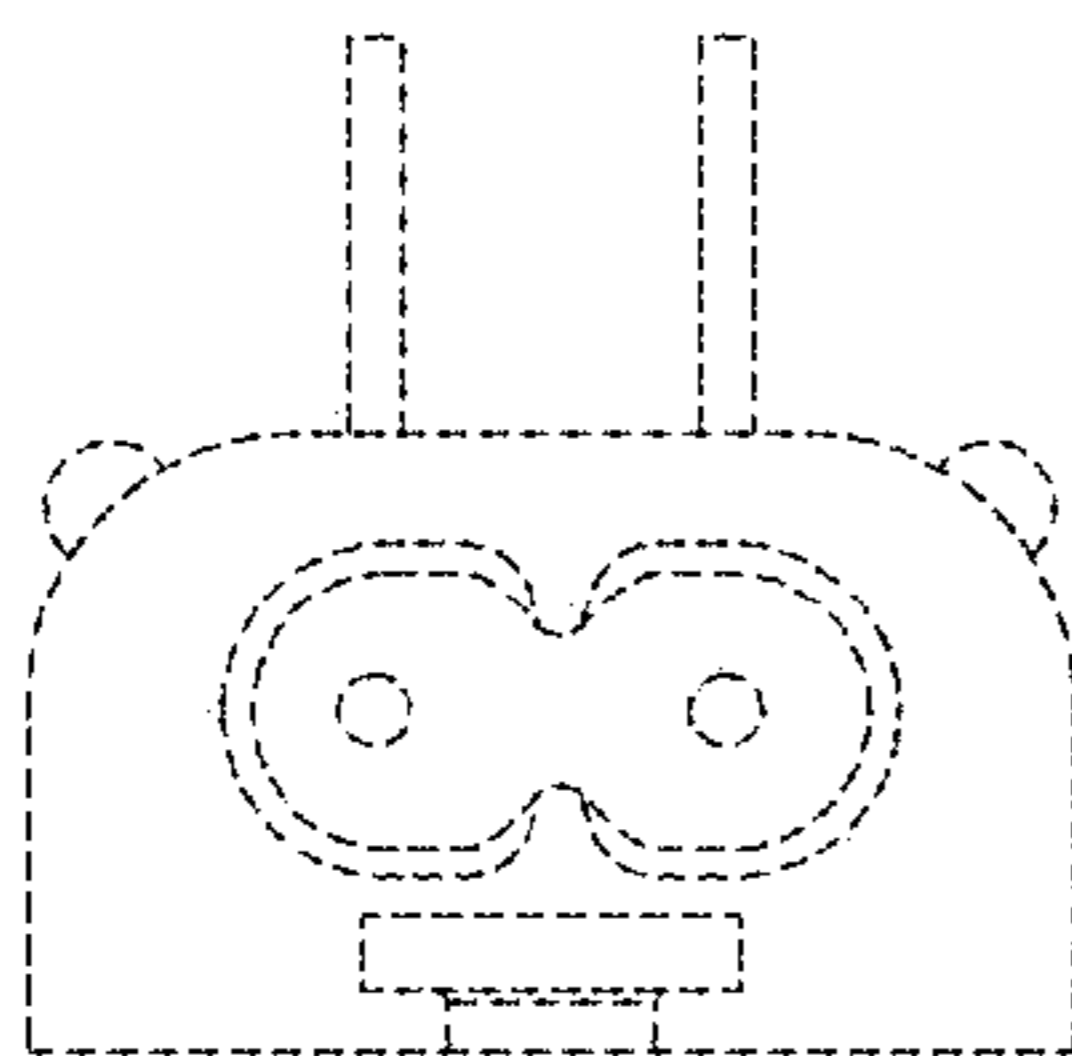


FIG. 3

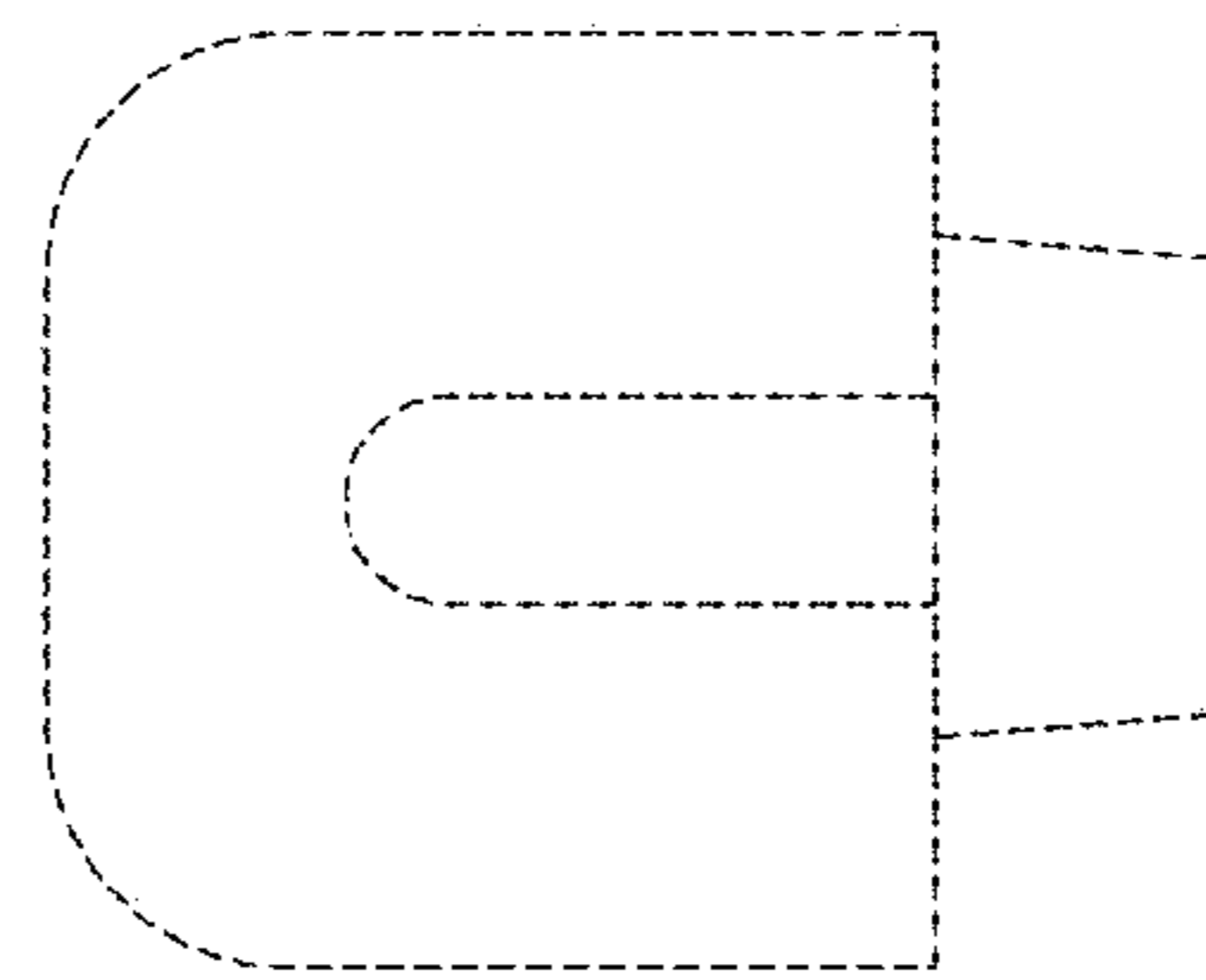


FIG. 4

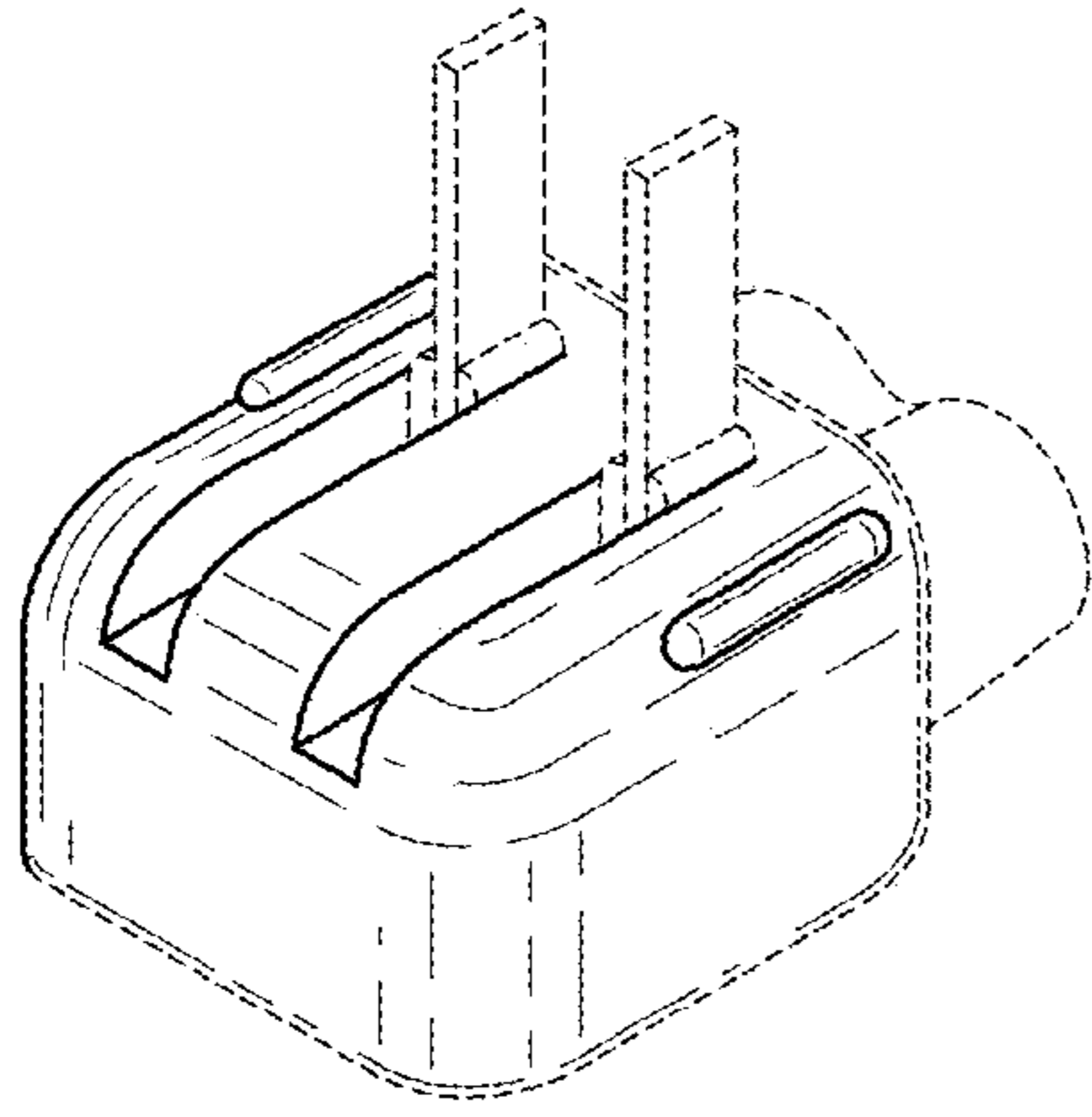


FIG. 5

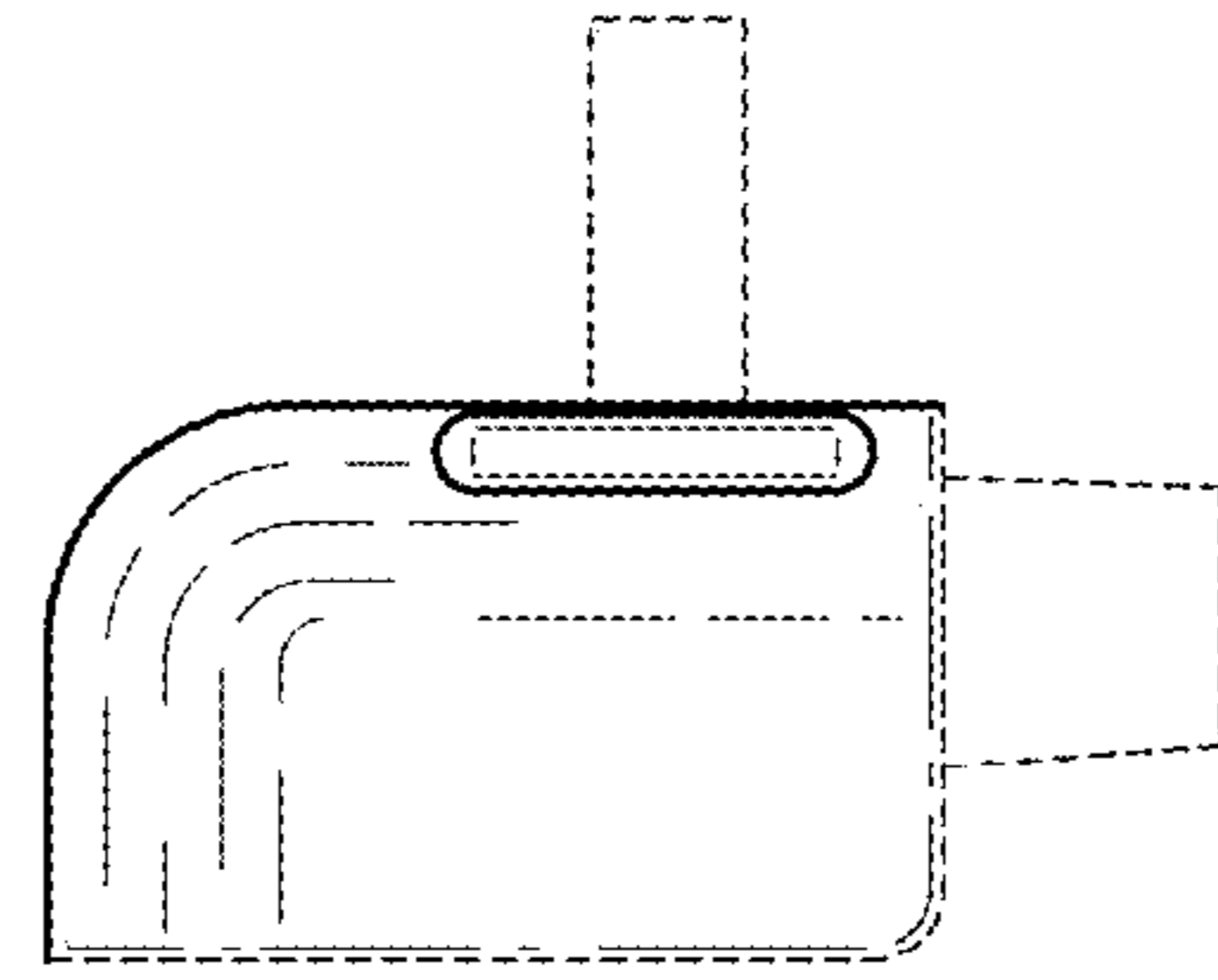


FIG. 6

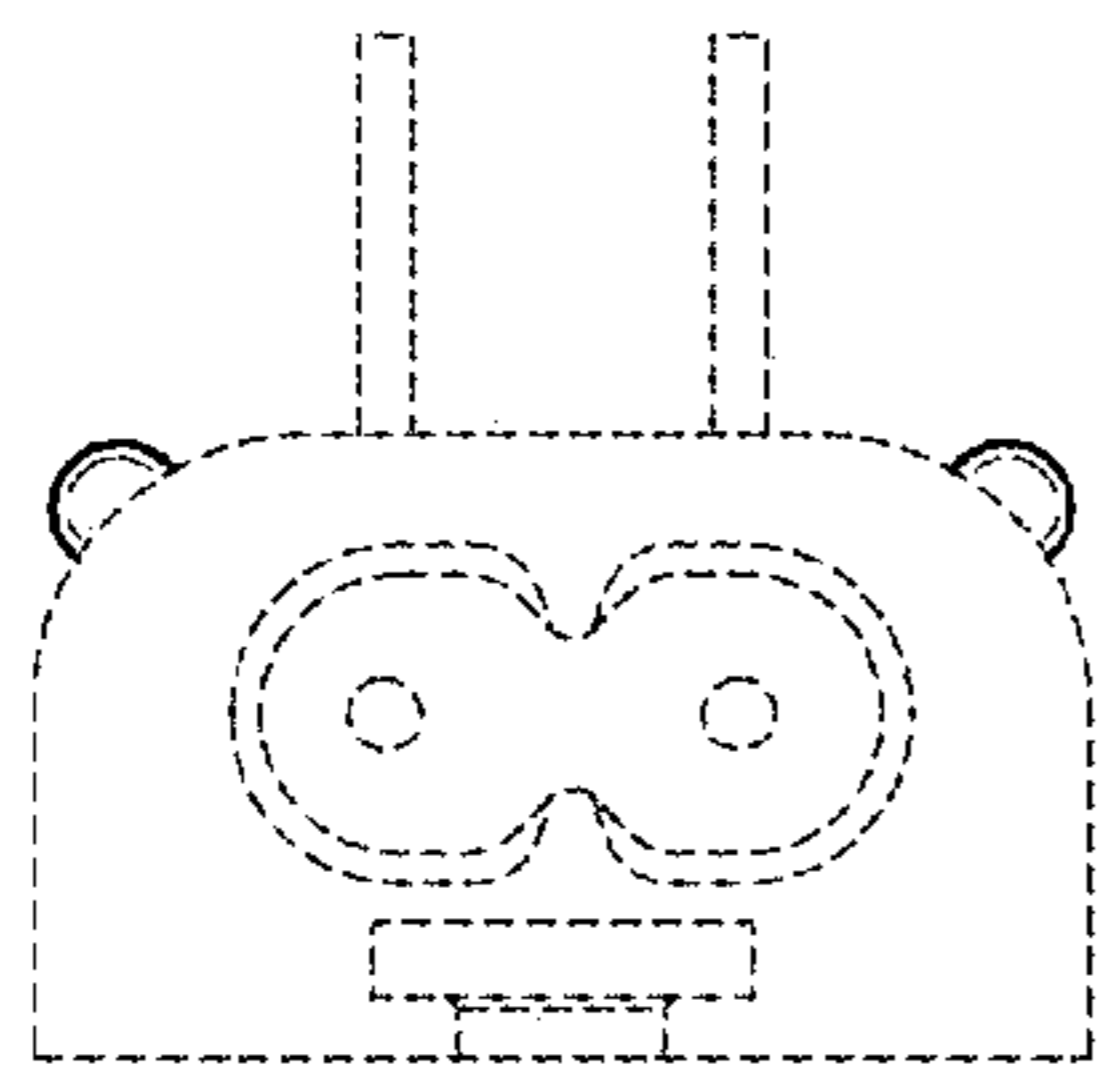


FIG. 7

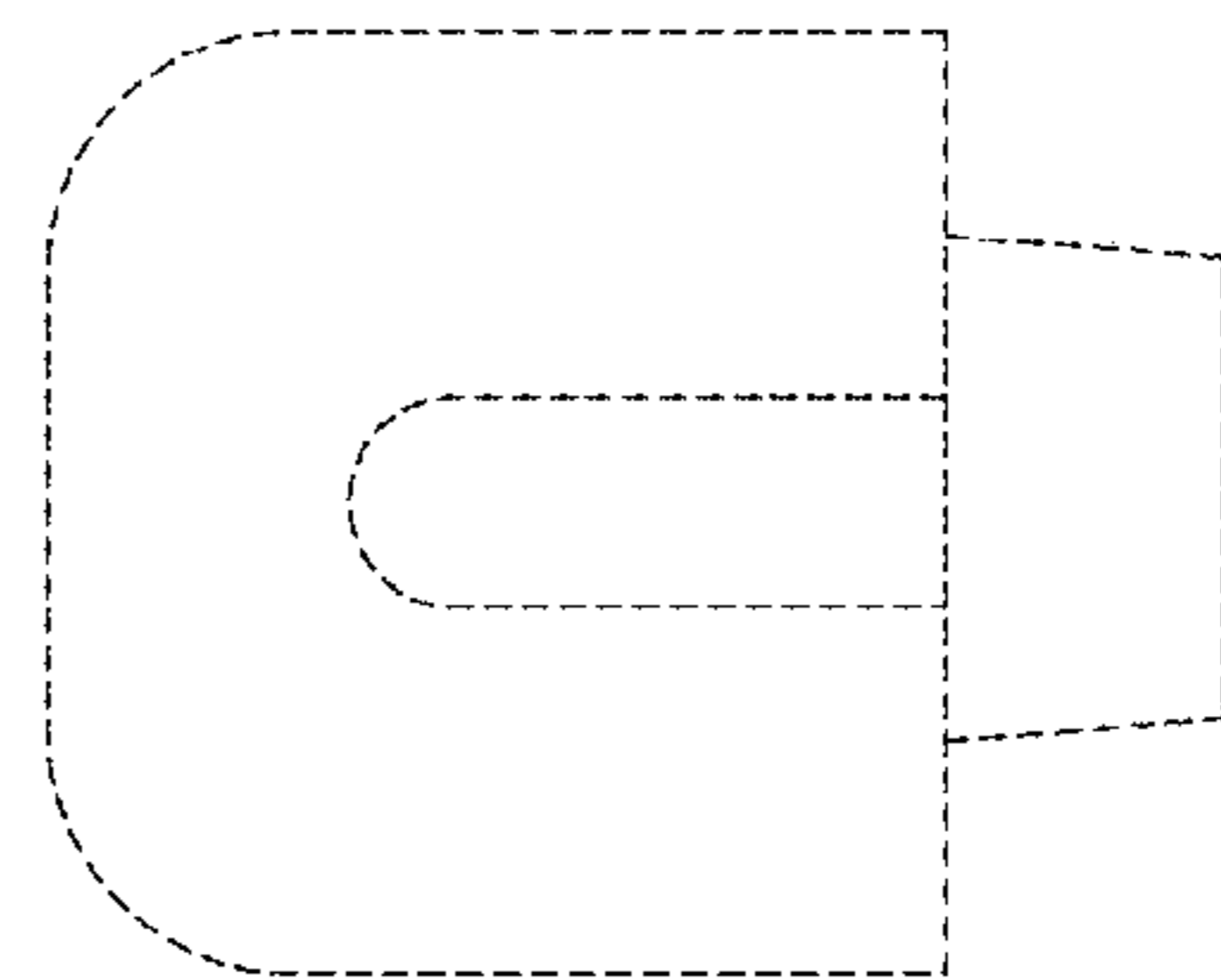


FIG. 8

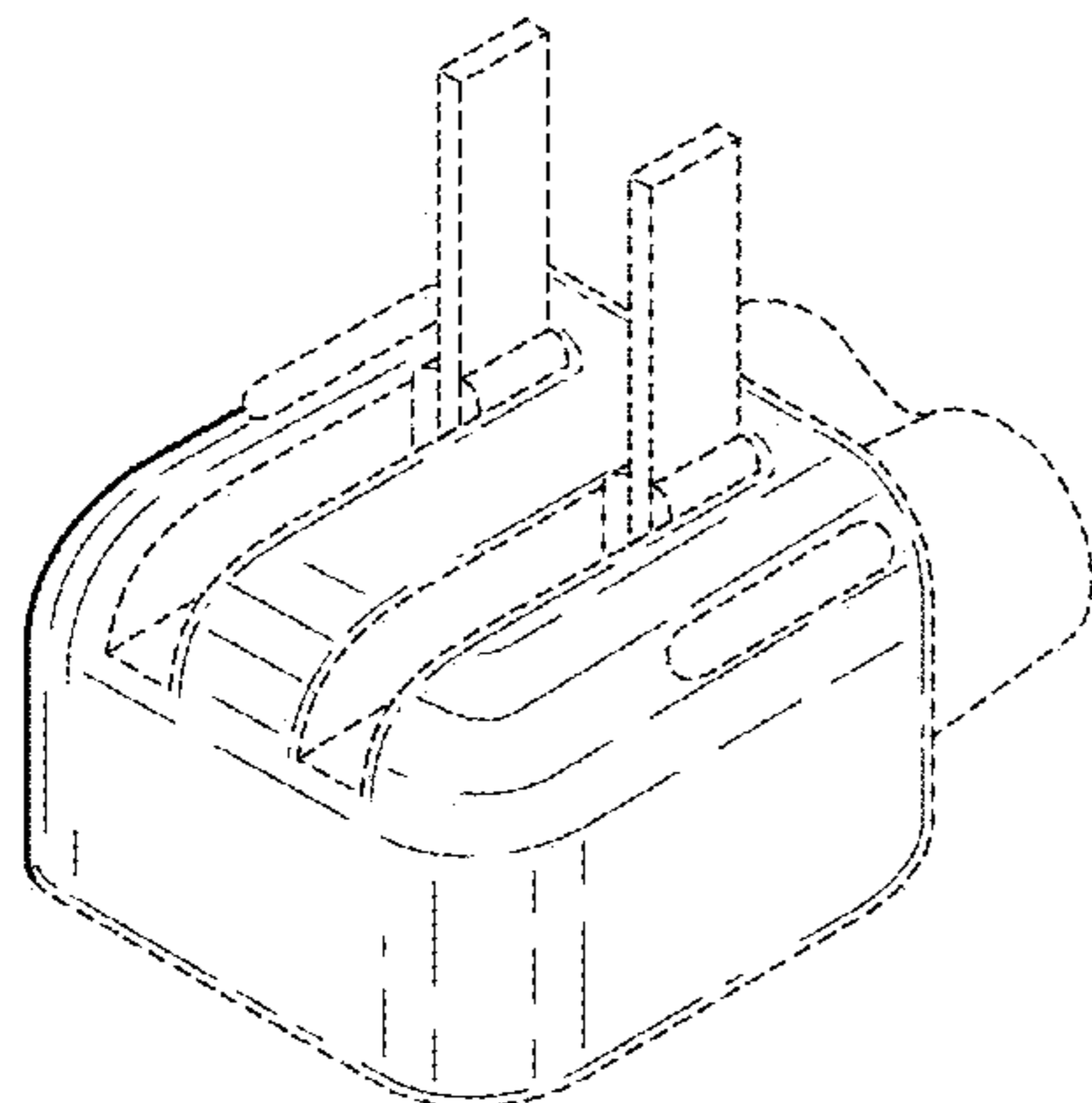


FIG. 9

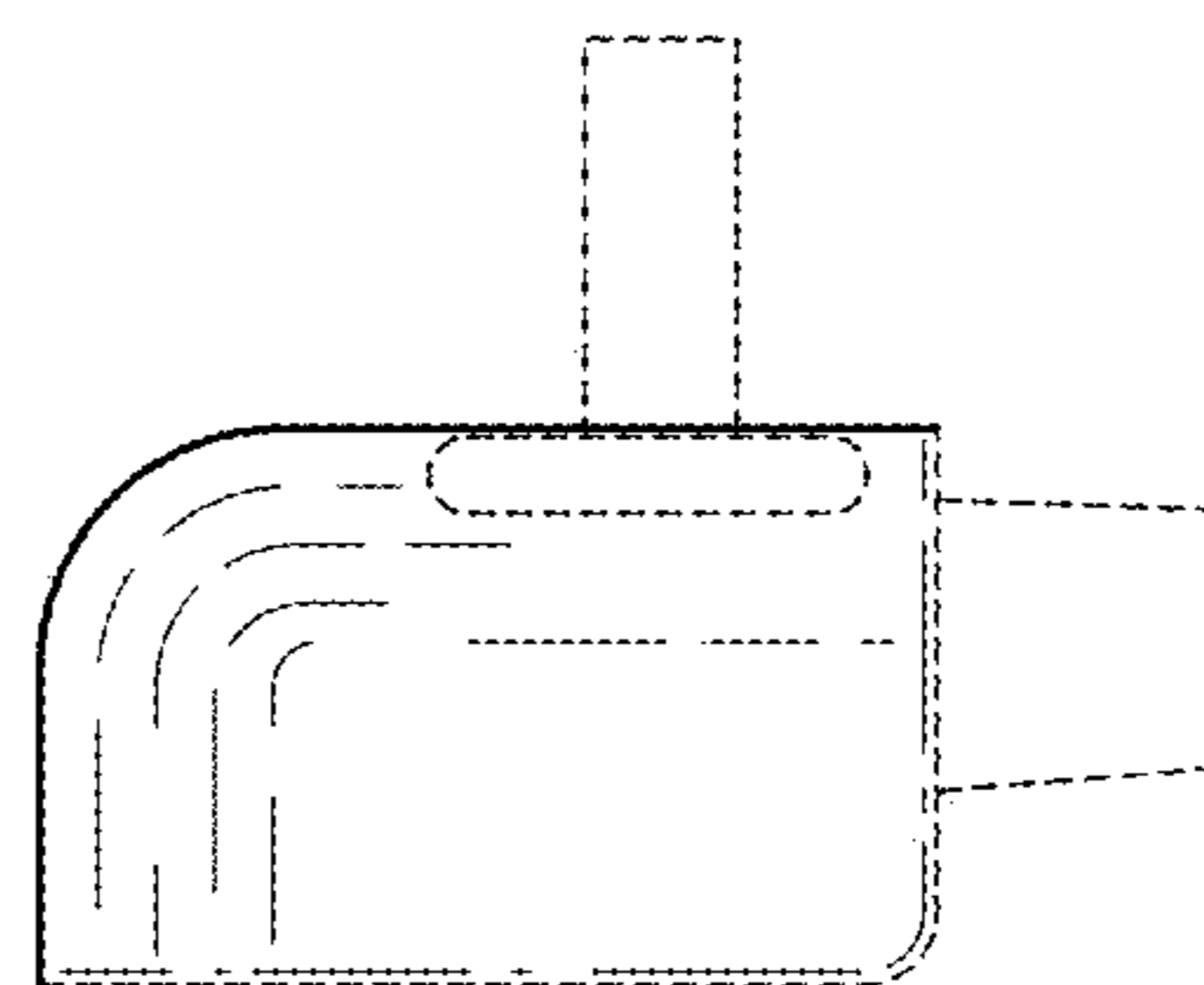


FIG. 10

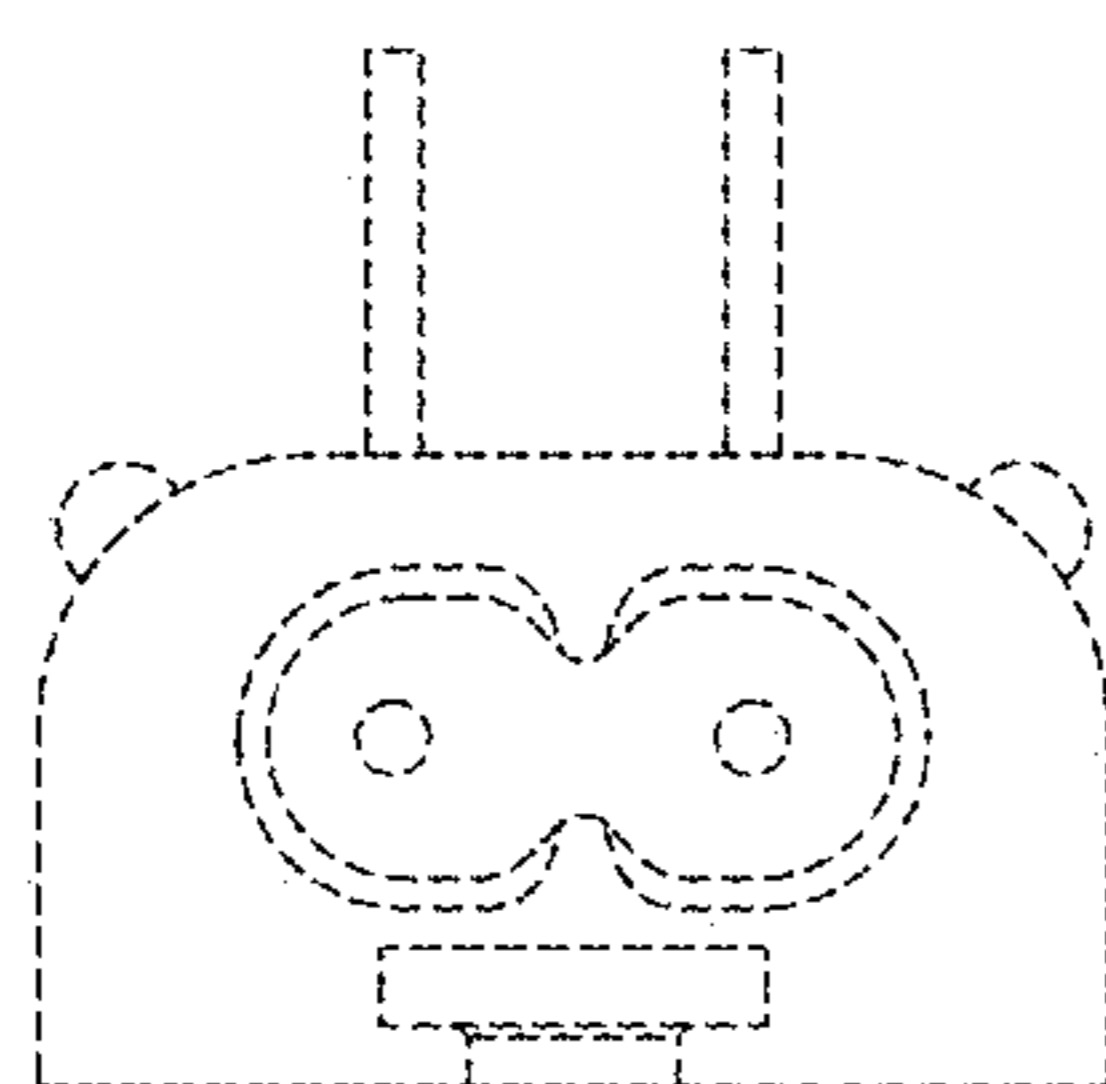


FIG. 11

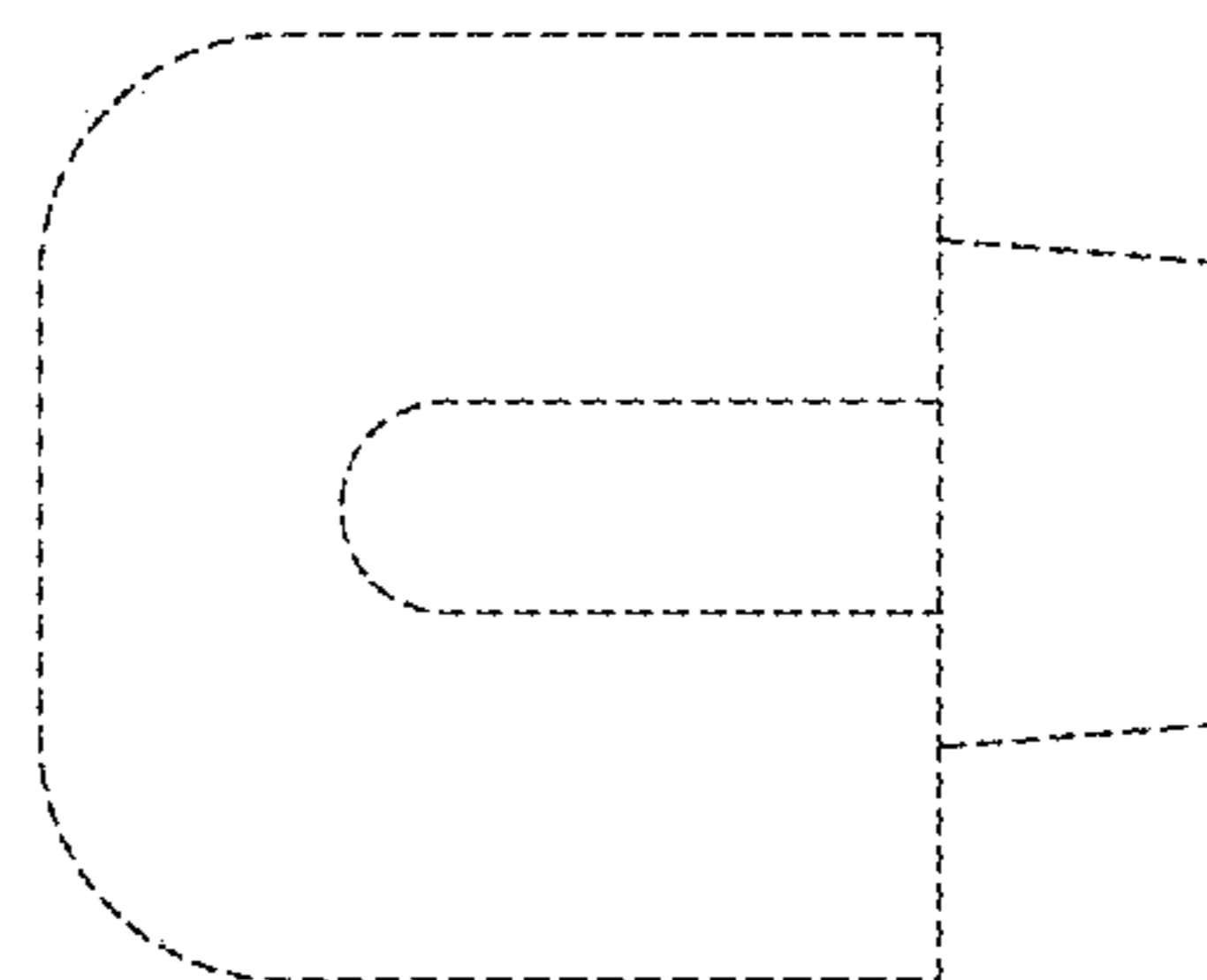


FIG. 12

UNITED STATES PATENT AND TRADEMARK OFFICE
CERTIFICATE OF CORRECTION

PATENT NO. : D702,633 S
APPLICATION NO. : 29/422077
DATED : April 15, 2014
INVENTOR(S) : Bartley K. Andre et al.

Page 1 of 1

It is certified that error appears in the above-identified patent and that said Letters Patent is hereby corrected as shown below:

Title Page, item (60), please insert, Related U.S. Application Data

-- ...application no. 10/125,893, filed on Apr. 18, 2002, now abandoned, which claims priority from provisional application no. 60/345,252. Application no. 10/125,893 also explicitly incorporates by reference application no. 29/153,133, filed on October 22, 2001, now Pat. No. D478,546, which is a continuation-in-part of application no. 29/145,957, filed on Jul. 31, 2001, now Pat. No. D478,310. --

Title Page, should read

DESCRIPTION

FIG. 1 is a perspective view of a first embodiment of a power adapter showing our new design;

...

FIG. 5 is a perspective view of a second embodiment thereof;

...

FIG. 9 is a perspective view of a third embodiment thereof;

...

Signed and Sealed this
Fifth Day of August, 2014



Michelle K. Lee
Deputy Director of the United States Patent and Trademark Office