



US00D702632S

(12) **United States Design Patent**
Salmon

(10) **Patent No.:** **US D702,632 S**

(45) **Date of Patent:** **** Apr. 15, 2014**

(54) **PORTABLE CHARGER WITH LED LIGHT**

(71) Applicant: **Flying Dragon Development Limited,**
New Territories (HK)

(72) Inventor: **Daniel Graham Salmon,** New
Territories (HK)

(73) Assignee: **Flying Dragon Development Limited,**
New Territories (HK)

(**) Term: **14 Years**

(21) Appl. No.: **29/466,271**

(22) Filed: **Sep. 5, 2013**

(51) **LOC (10) Cl.** **13-02**

(52) **U.S. Cl.**
USPC **D13/108**

(58) **Field of Classification Search**
USPC D13/107-110, 118-119, 184, 199;
D14/217, 251, 253, 432, 434, 480.1,
D14/480.3, 480.5, 480.7; 320/107-115
See application file for complete search history.

(56) **References Cited**

U.S. PATENT DOCUMENTS

D512,060	S	*	11/2005	Wang et al.	D14/480.1
D513,000	S	*	12/2005	Cohen	D14/480.3
D628,535	S	*	12/2010	Cheng	D13/108
D645,049	S	*	9/2011	Faranda et al.	D14/480.5
D645,050	S	*	9/2011	Faranda et al.	D14/480.5
D653,207	S	*	1/2012	Vandiver	D13/108

D656,096	S	*	3/2012	Sasada et al.	D13/108
D659,094	S	*	5/2012	Brand et al.	D13/108
D663,684	S	*	7/2012	Yang	D13/108
D663,685	S	*	7/2012	Yang	D13/108
D672,361	S	*	12/2012	Huang	D14/480.3
D675,156	S	*	1/2013	Vandiver et al.	D13/108
D680,063	S	*	4/2013	Sasada	D13/103

* cited by examiner

Primary Examiner — Rosemary K Tarcza

(74) *Attorney, Agent, or Firm* — Intellectual Property Law
Group LLP

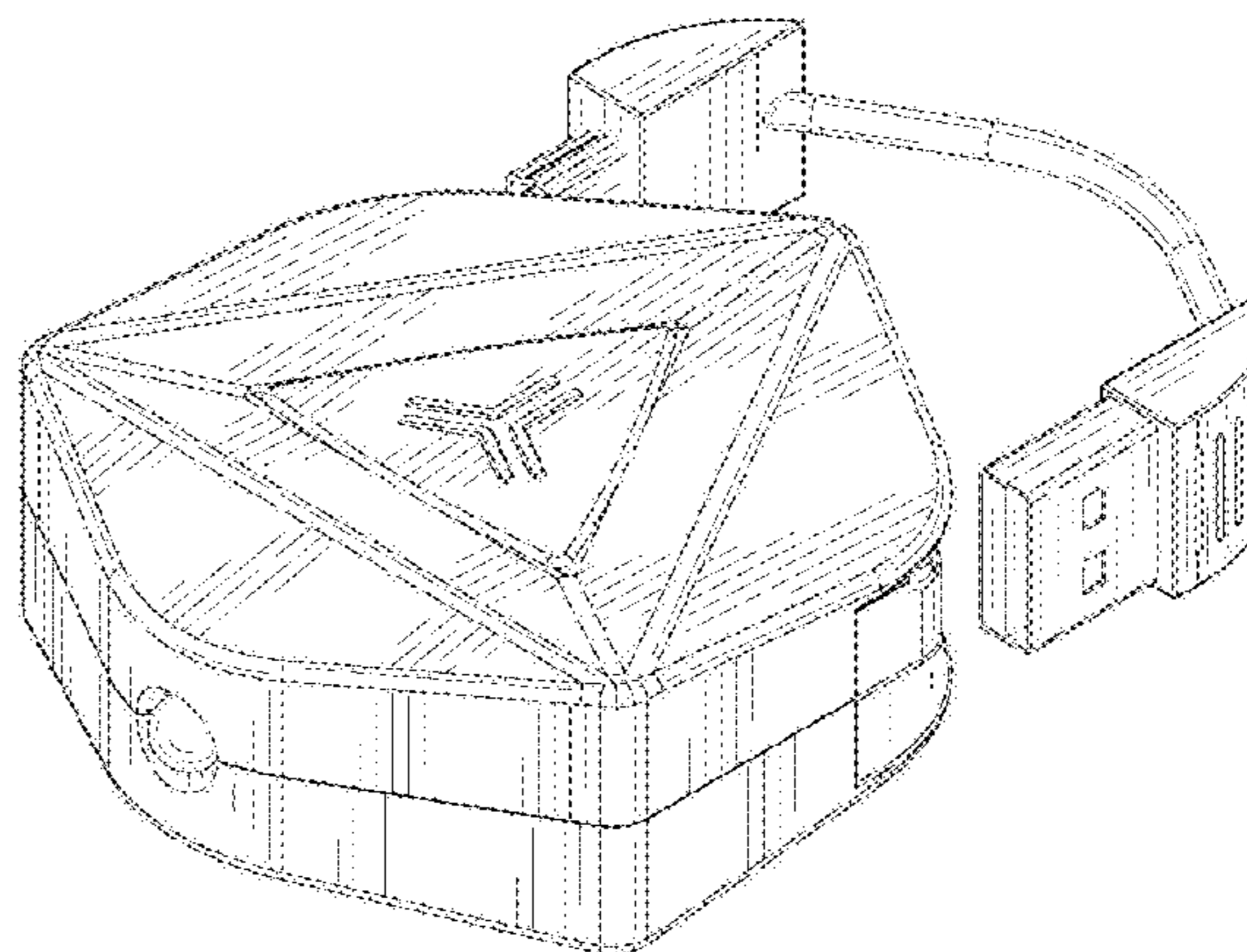
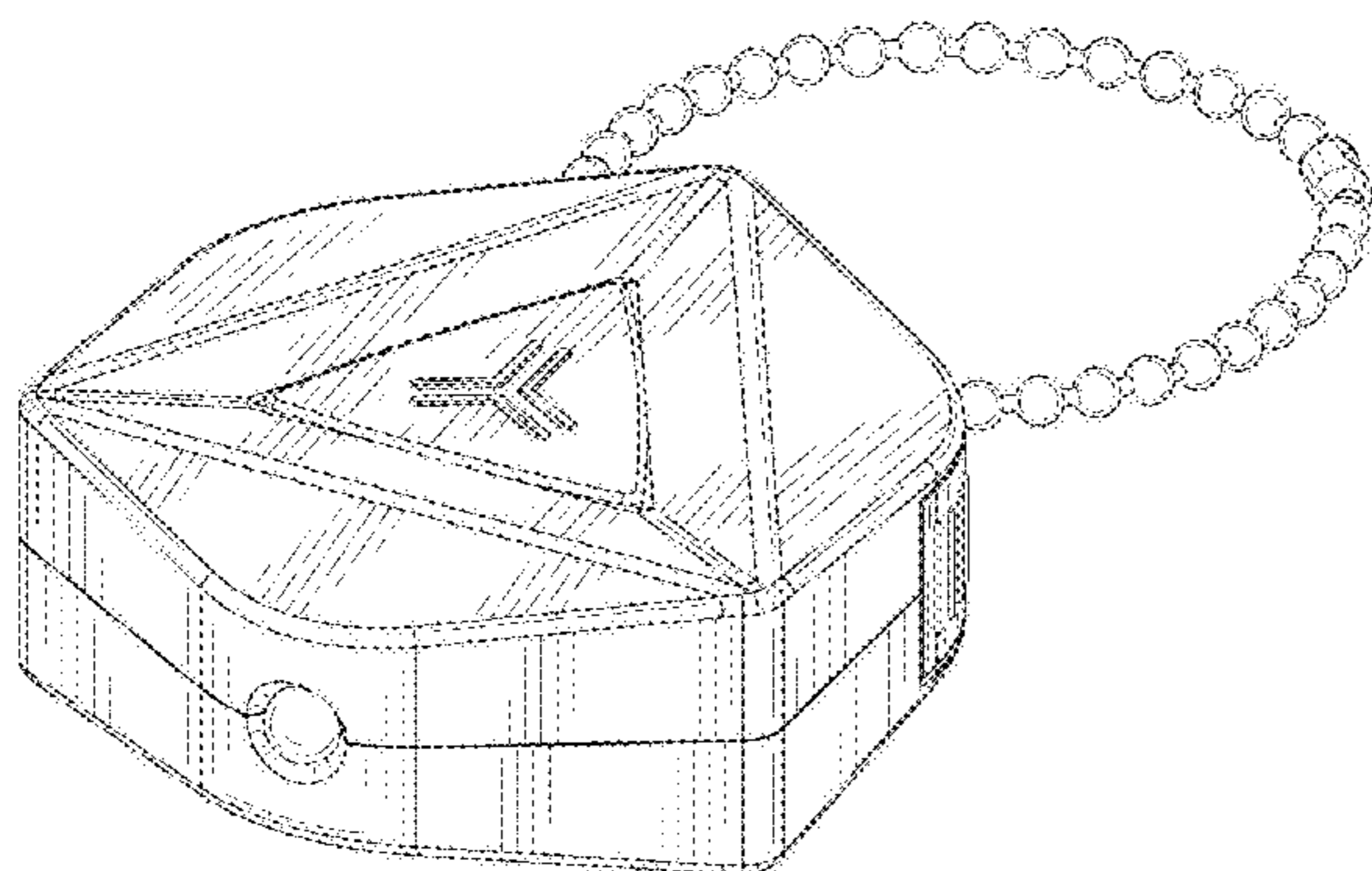
(57) **CLAIM**

The ornamental design for a portable charger with LED light,
as shown and described.

DESCRIPTION

FIG. 1 is a top, front perspective view of a portable charger with LED light, embodying my new design;
 FIG. 2 is a top, right side perspective view thereof;
 FIG. 3 is a top, right side perspective view thereof, with USB cable in a detached position, and shown without the ballchain for ease of illustration.
 FIG. 4 is a front elevational view thereof;
 FIG. 5 is a rear elevational view thereof;
 FIG. 6 is a left side elevational view thereof;
 FIG. 7 is right side elevational view thereof;
 FIG. 8 is a top plan view thereof;
 FIG. 9 is a top plan view of FIG. 3; and,
 FIG. 10 is a bottom plan view thereof.

1 Claim, 7 Drawing Sheets



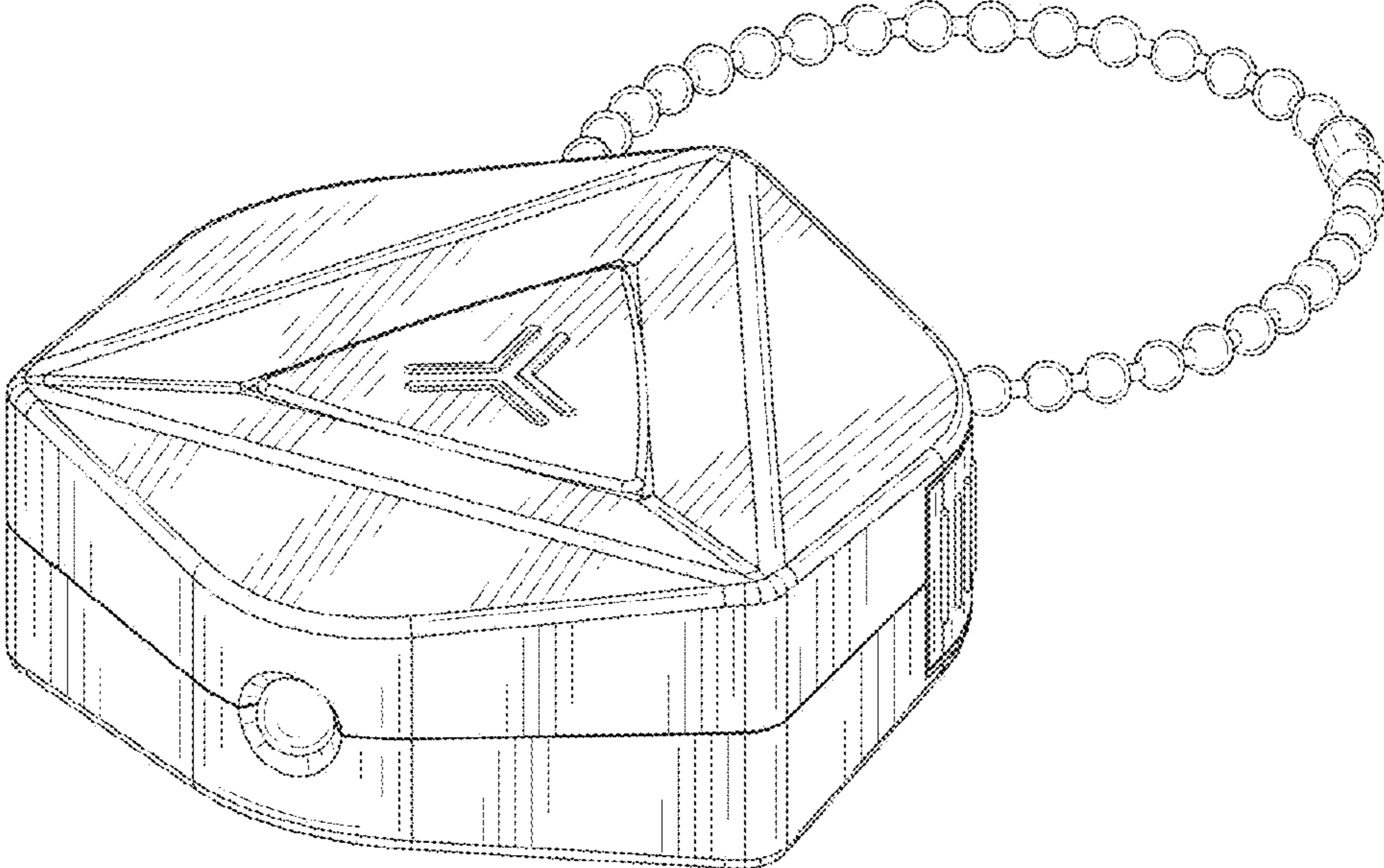


FIG. 1

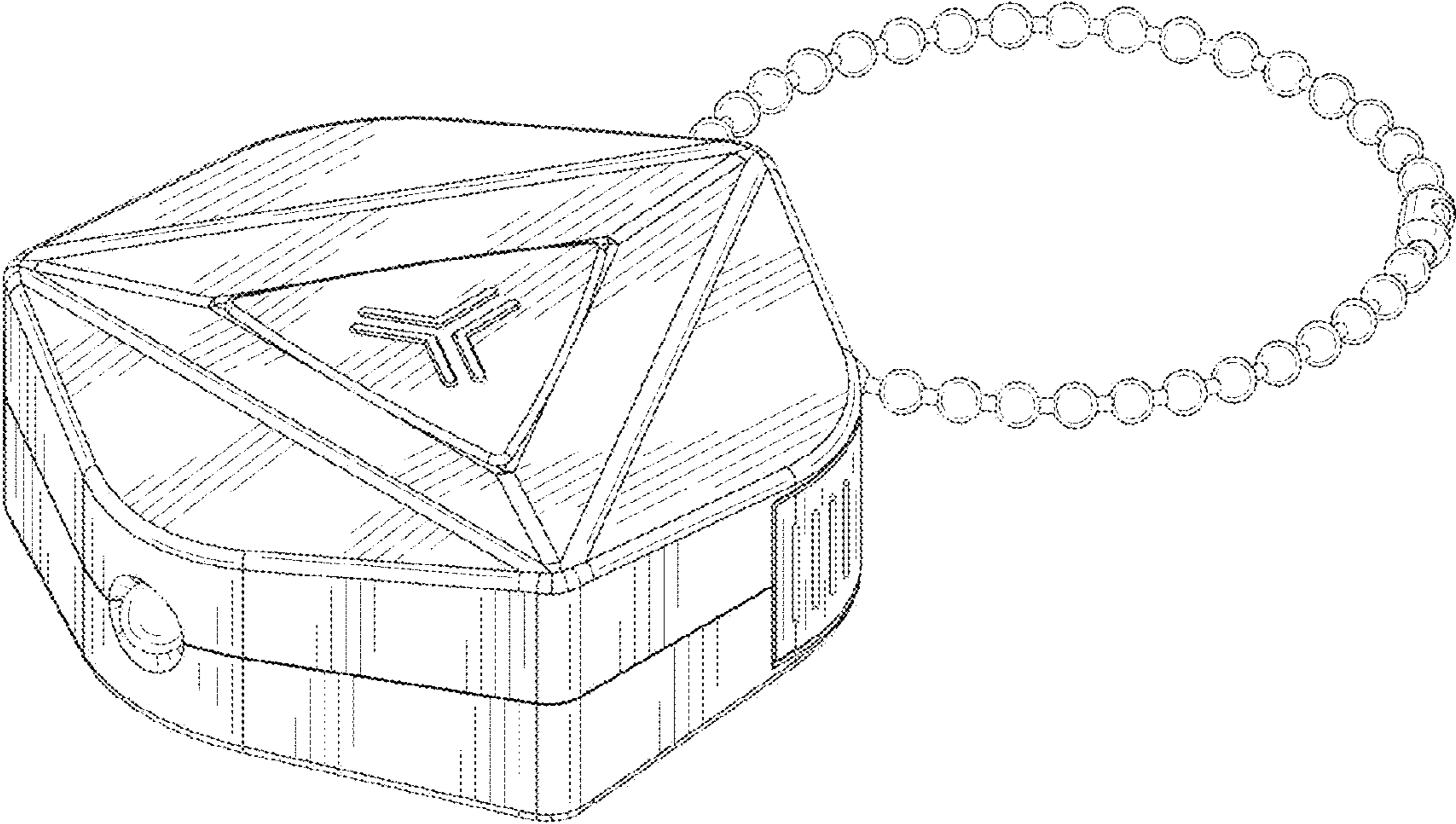


FIG. 2

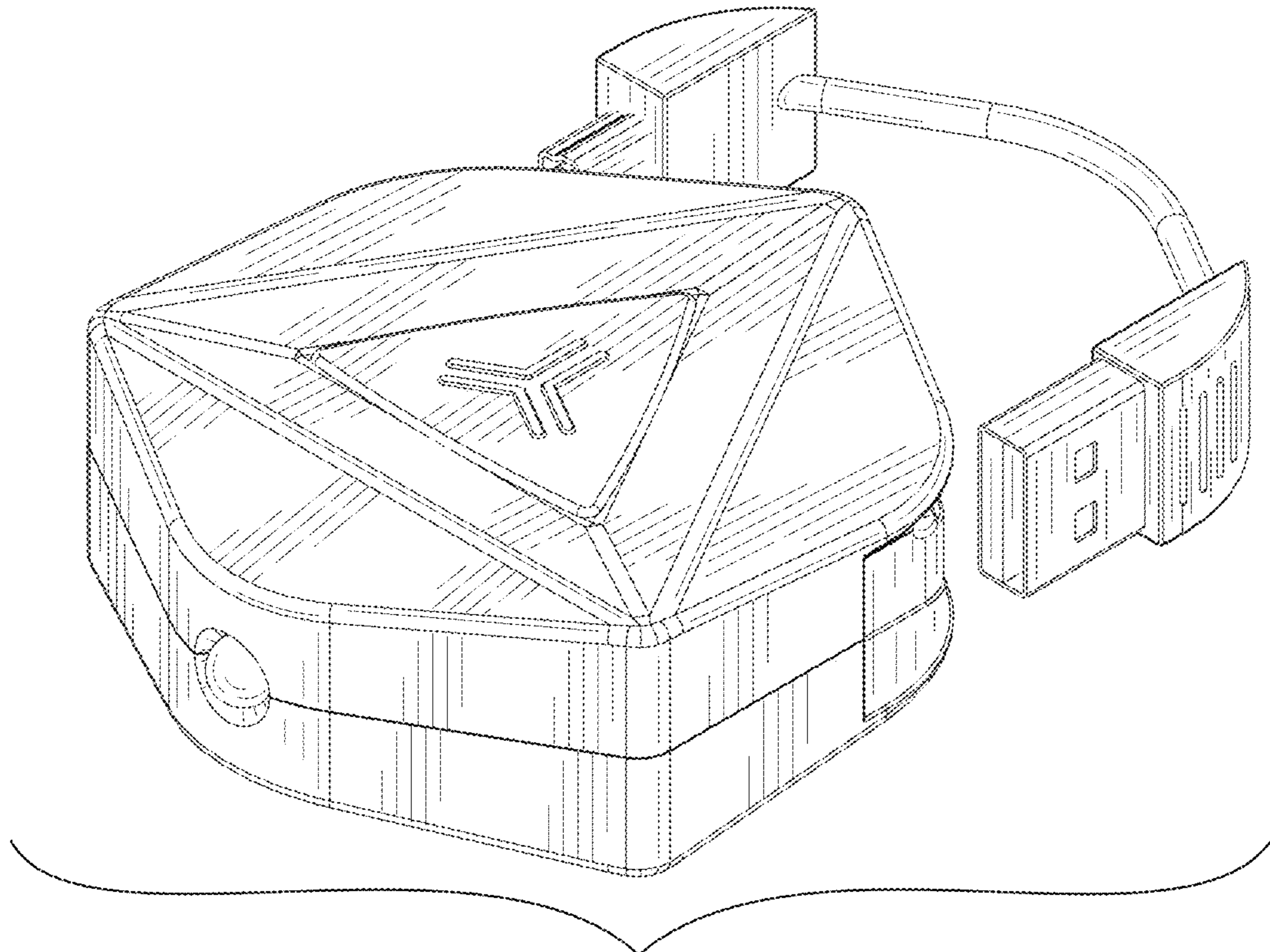


FIG. 3

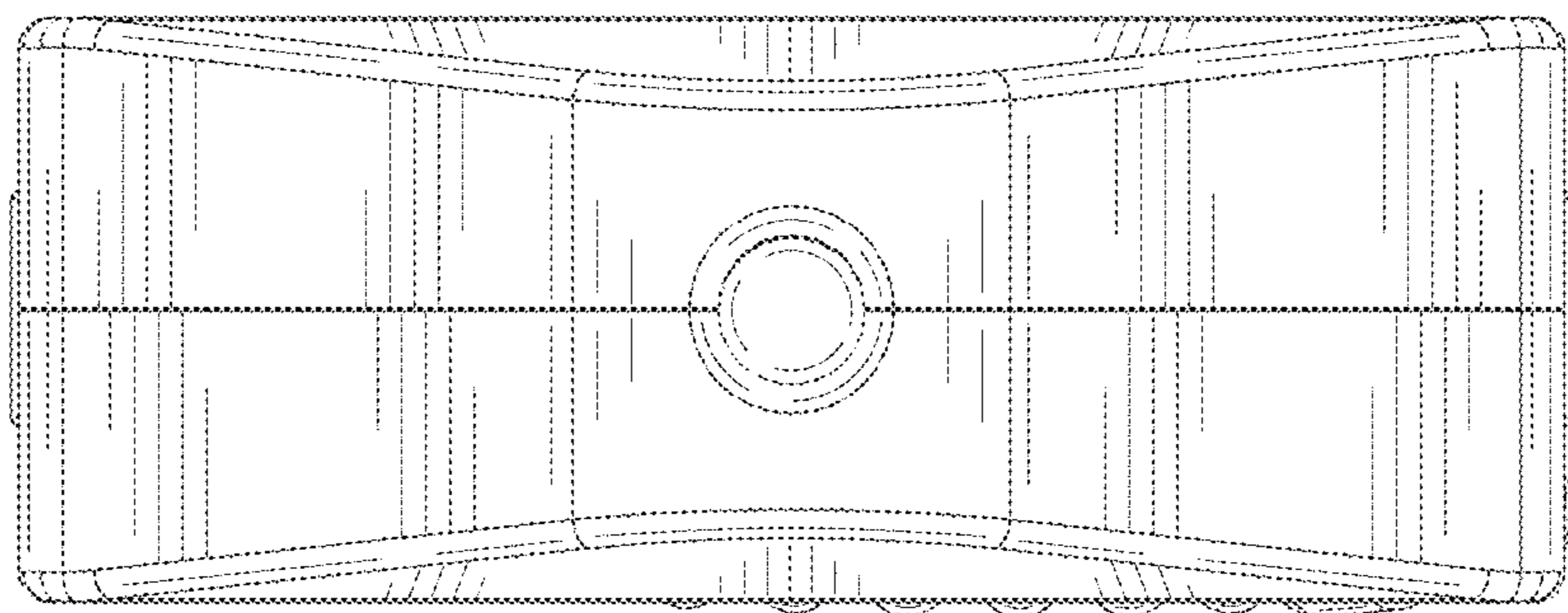


FIG. 4

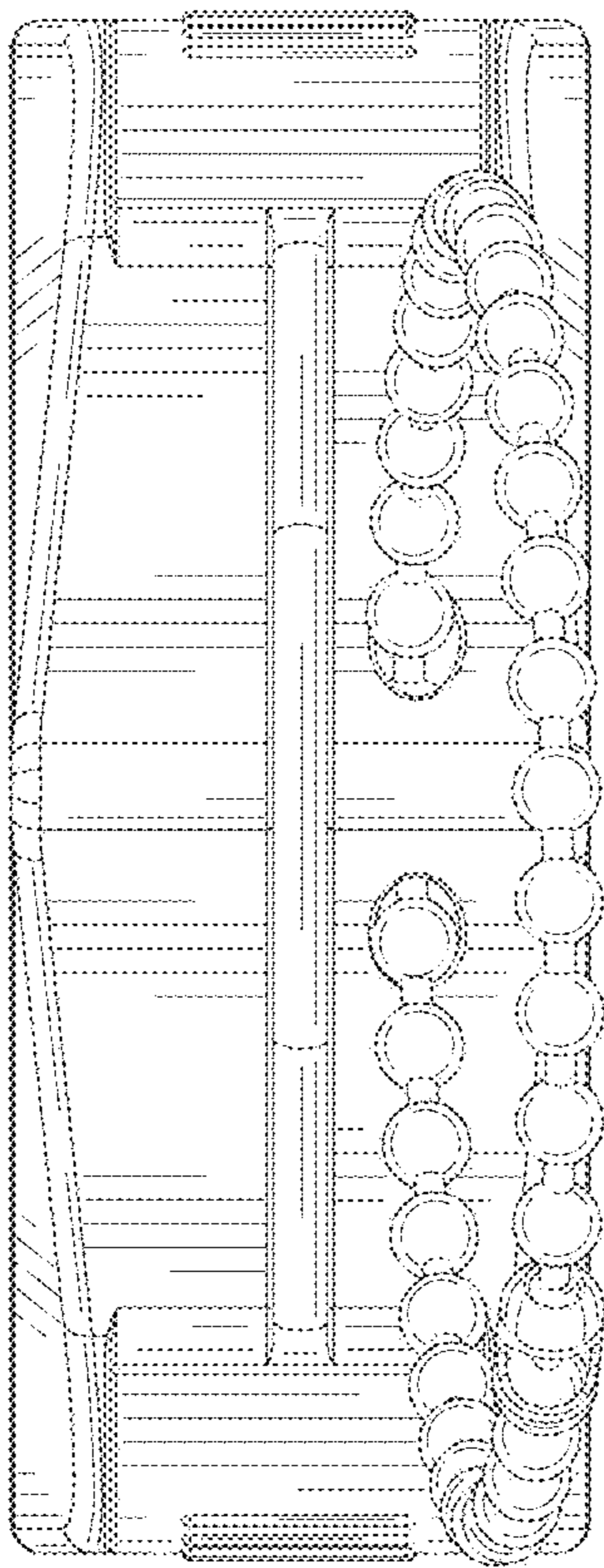


FIG. 5

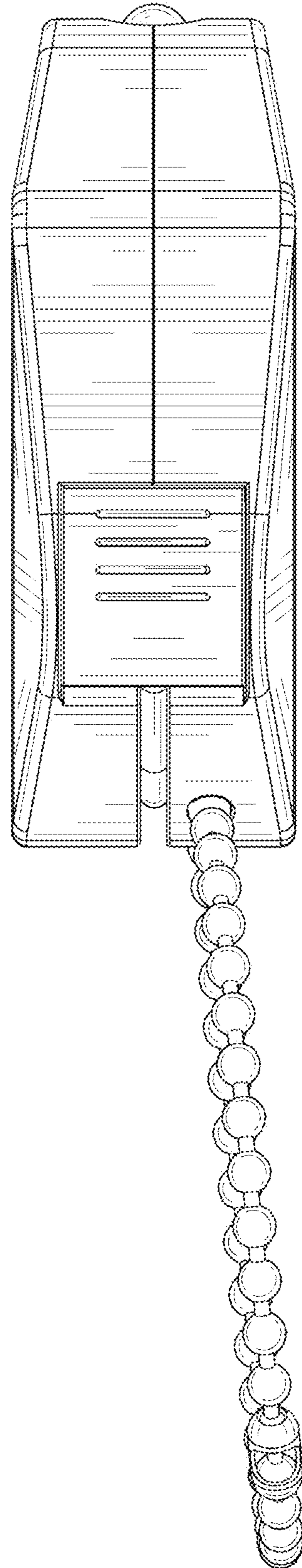


FIG. 6

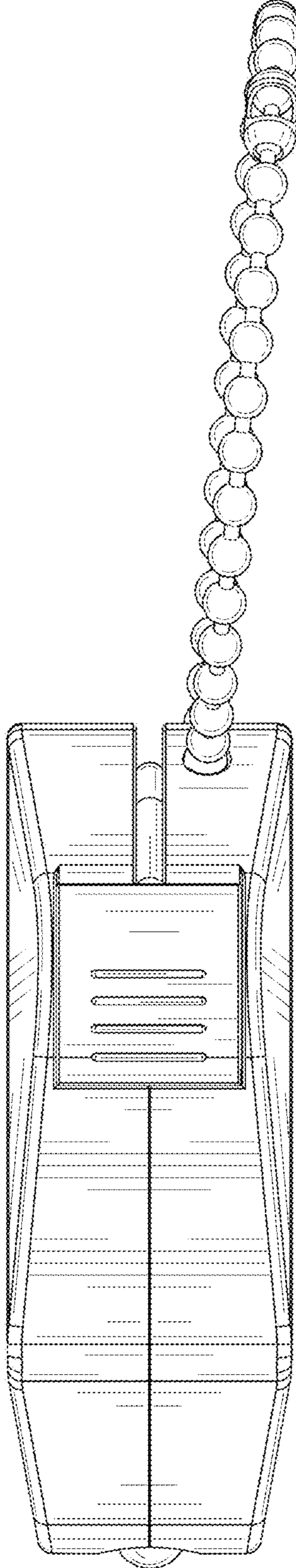


FIG. 7

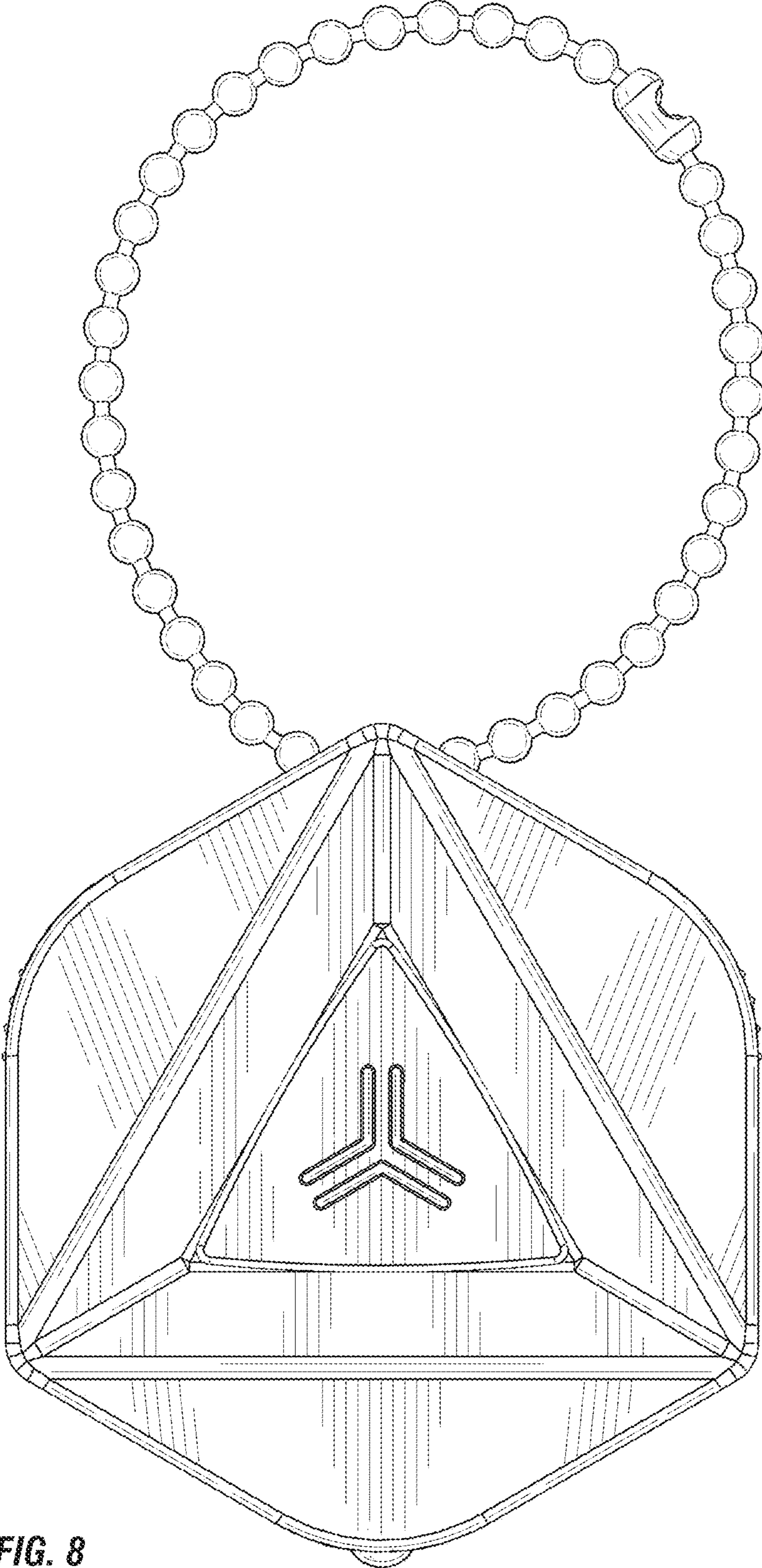


FIG. 8

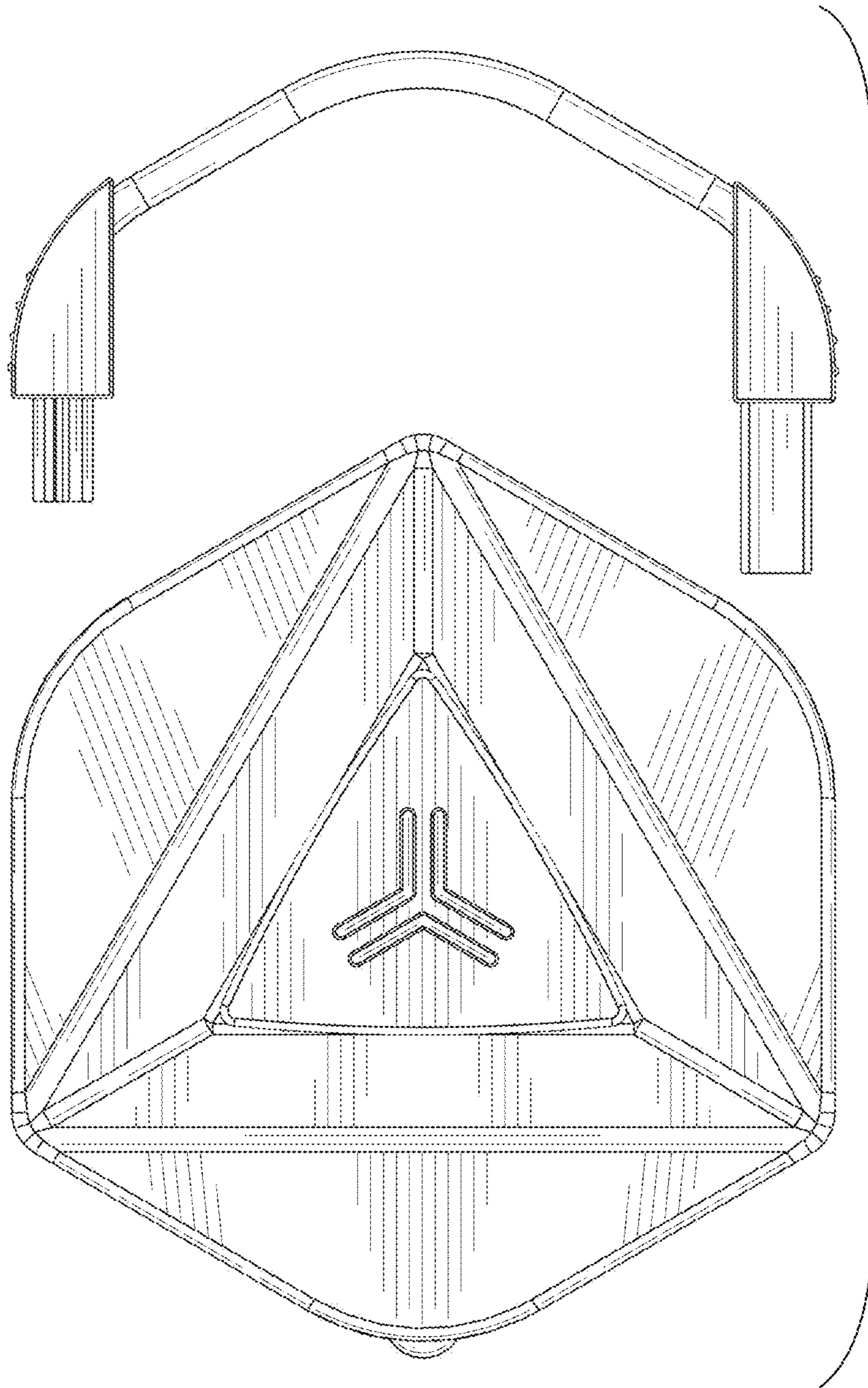


FIG. 9

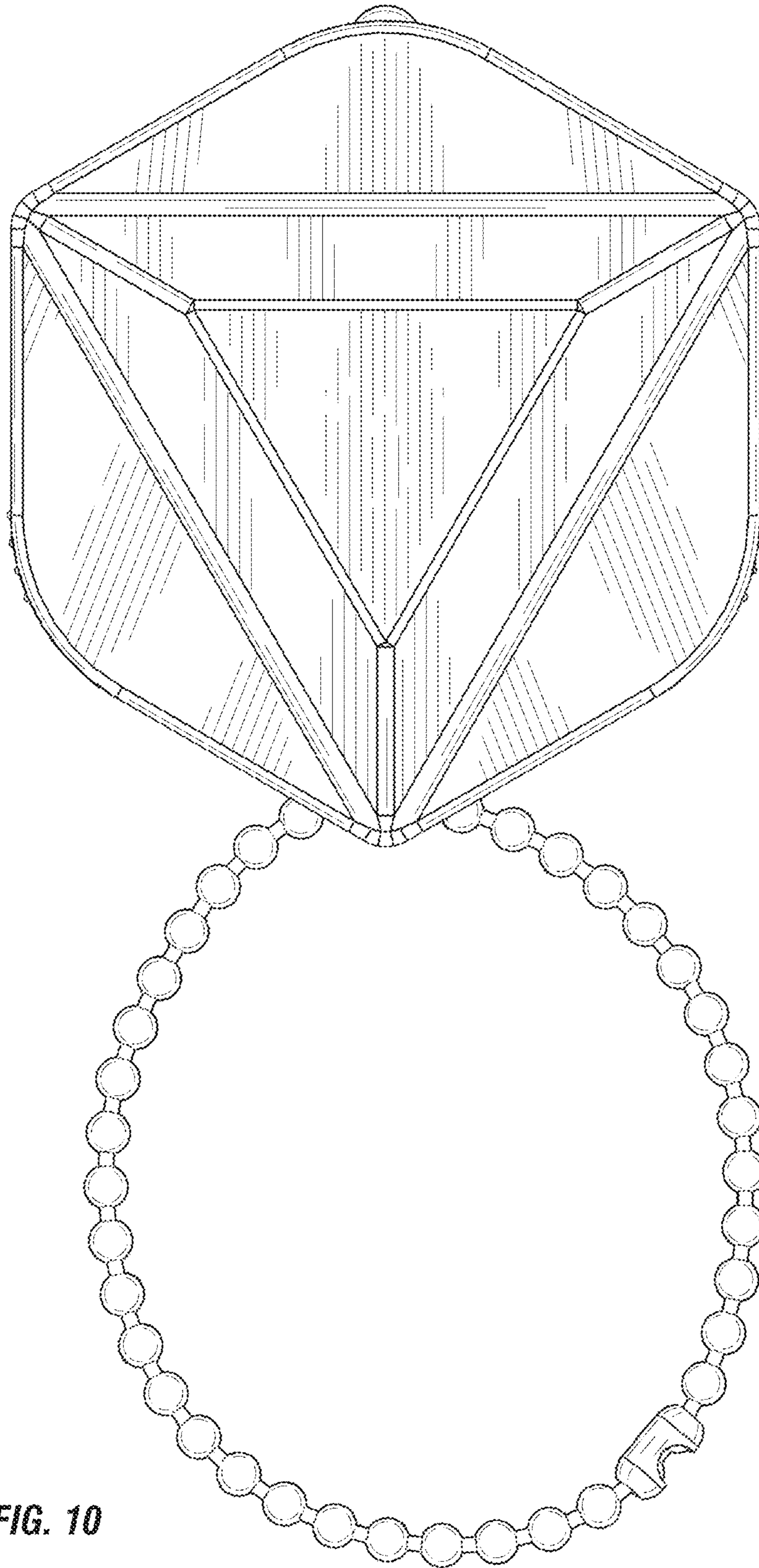


FIG. 10