



US00D702631S

(12) **United States Design Patent**
Esses

(10) **Patent No.:** **US D702,631 S**
(45) **Date of Patent:** **** Apr. 15, 2014**

- (54) **CHARGING ADAPTOR**
- (71) Applicant: **Premier Accessory Group LLC**,
Edison, NJ (US)
- (72) Inventor: **Alfred Esses**, Brooklyn, NY (US)
- (73) Assignee: **Premier Accessory Group, LLC**,
Edison, NJ (US)
- (**) Term: **14 Years**
- (21) Appl. No.: **29/464,351**
- (22) Filed: **Aug. 15, 2013**
- (51) **LOC (10) Cl.** **13-02**
- (52) **U.S. Cl.**
USPC **D13/108**
- (58) **Field of Classification Search**
USPC D13/107–110, 118–119, 138.1–138.2,
D13/184, 199; D14/217, 251, 253, 432,
D14/434; 320/107–115
See application file for complete search history.

D653,208 S *	1/2012	Au	D13/108
D653,209 S *	1/2012	Lee	D13/110
D653,614 S *	2/2012	Au	D13/108
D653,615 S *	2/2012	Au	D13/108
D654,020 S *	2/2012	Au	D13/108
D655,243 S *	3/2012	Au	D13/108
D655,244 S *	3/2012	Au	D13/108
D683,314 S *	5/2013	Andre et al.	D13/138.1
D693,764 S *	11/2013	Hok Man	D13/108

* cited by examiner

Primary Examiner — Rosemary K Tarcza

(74) *Attorney, Agent, or Firm* — Gottlieb, Rackman & Reisman, P.C.

(57) **CLAIM**

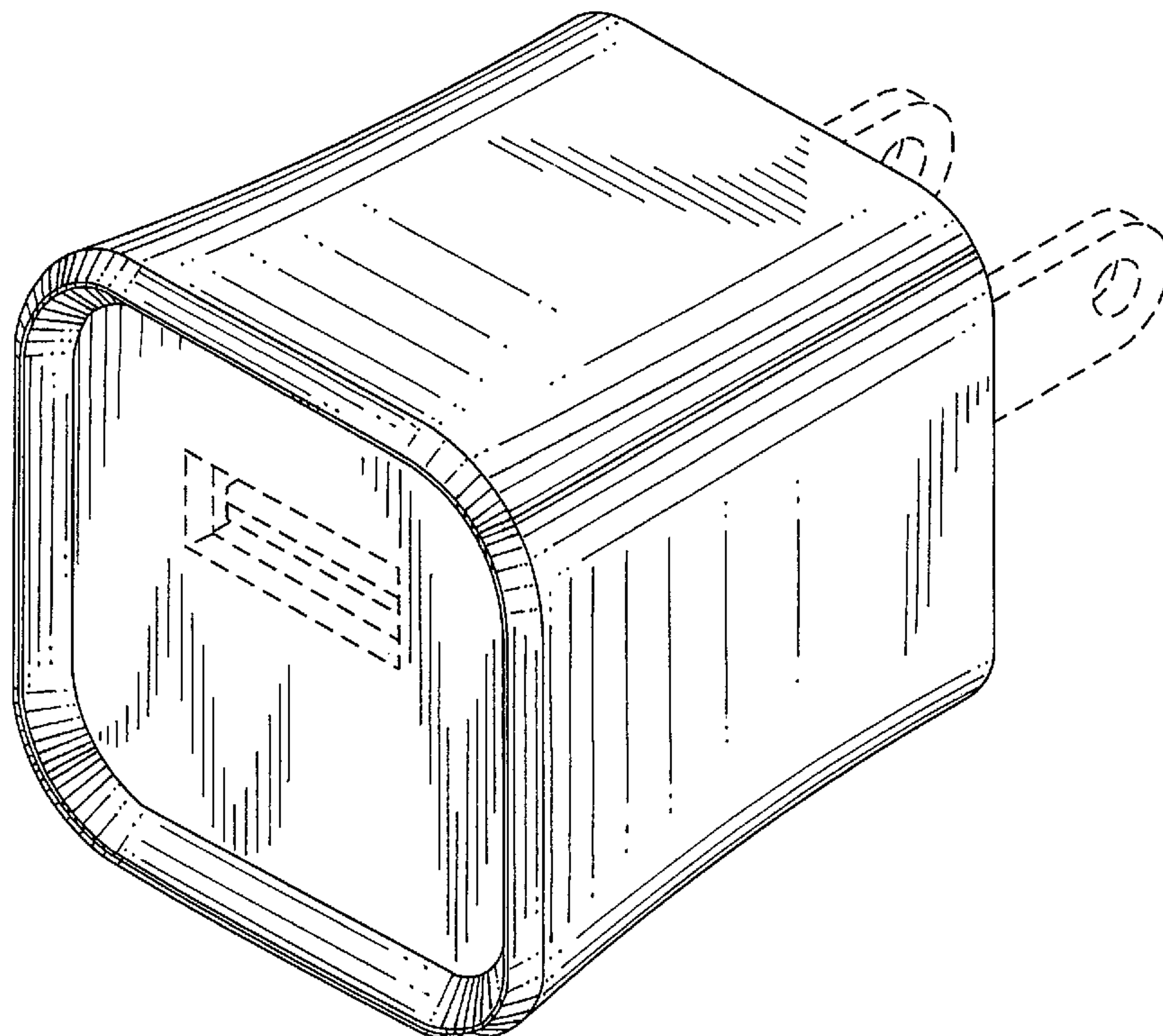
The ornamental design for a charging adaptor, as shown and described.

DESCRIPTION

FIG. 1 is a perspective view of a charging adaptor having the design of my invention;
 FIG. 2 is top plan view thereof, where the top and bottom views of the design are mirror images of each other;
 FIG. 3 is a front elevational view thereof;
 FIG. 4 is a side view thereof, where the right and left sides of the design are mirror images of each other; and,
 FIG. 5 is a rear elevational view thereof.
 It being understood that the broken lines are for illustrative purposes only and form no part of the claimed design.

1 Claim, 3 Drawing Sheets

- (56) **References Cited**
U.S. PATENT DOCUMENTS
D611,415 S * 3/2010 Andre et al. D13/138.1
D623,136 S * 9/2010 Andre et al. D13/138.1
D627,729 S * 11/2010 Smith et al. D13/138.1
D642,524 S * 8/2011 Fitch et al. D13/110



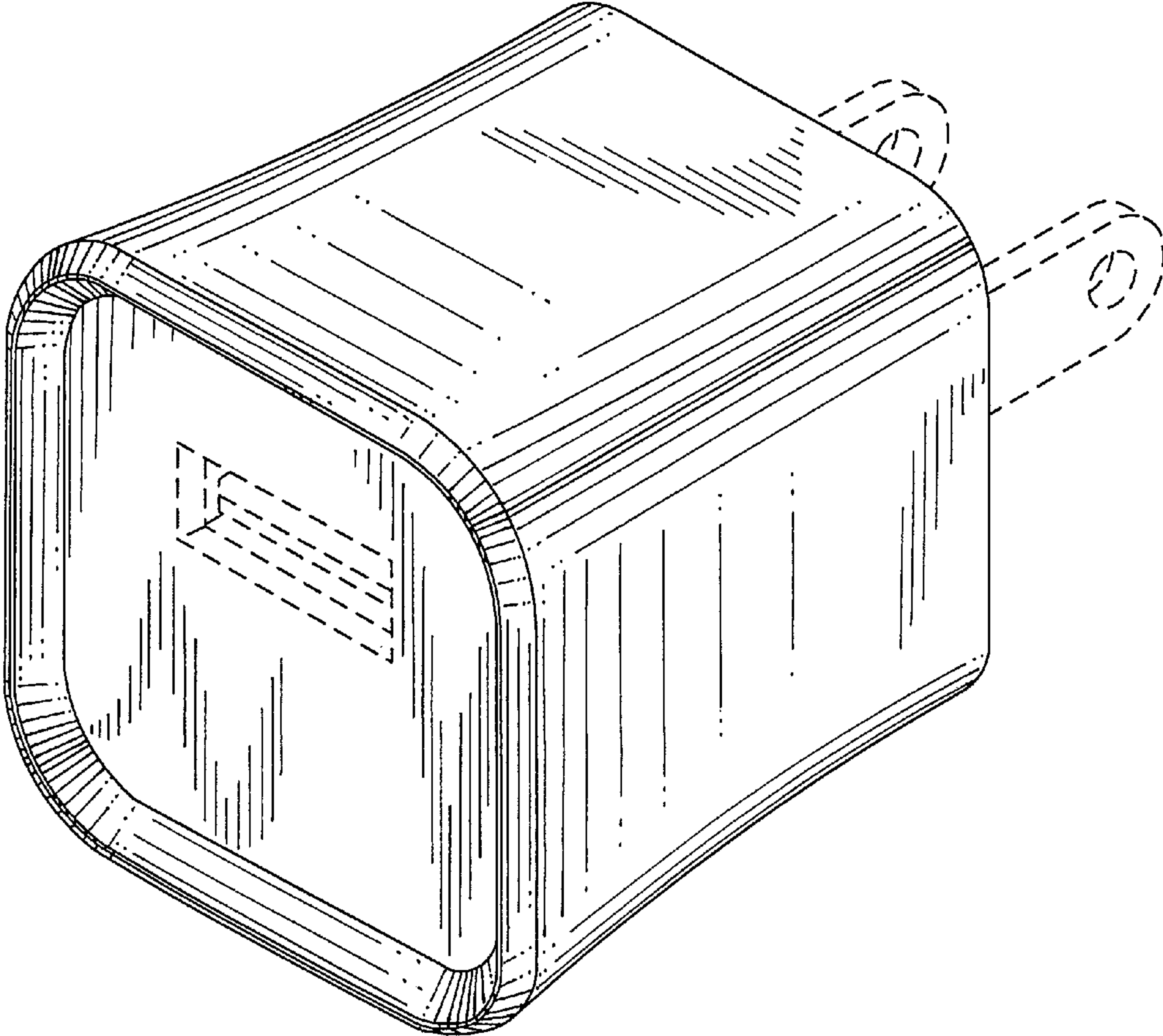


FIG. 1

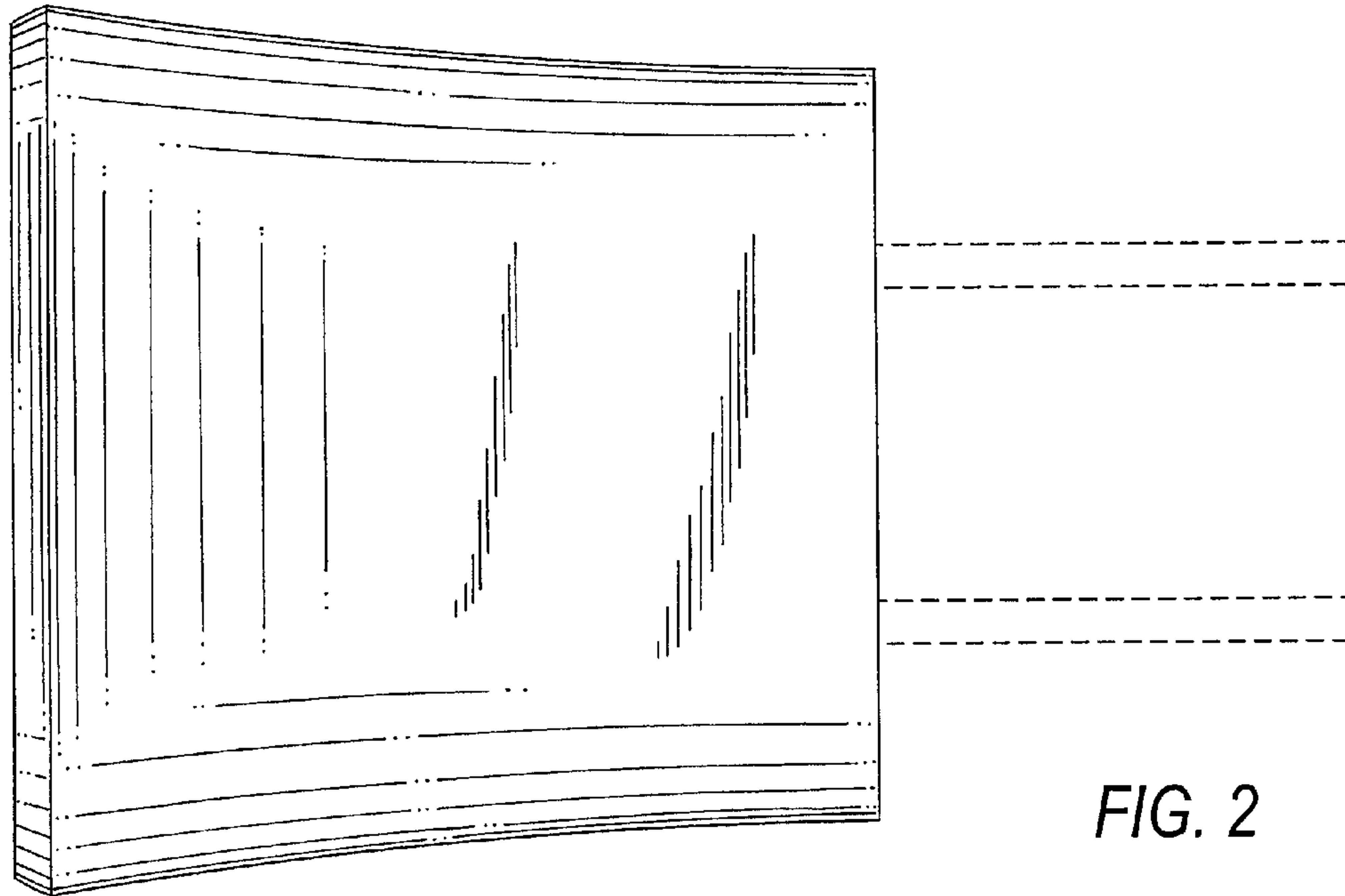


FIG. 2

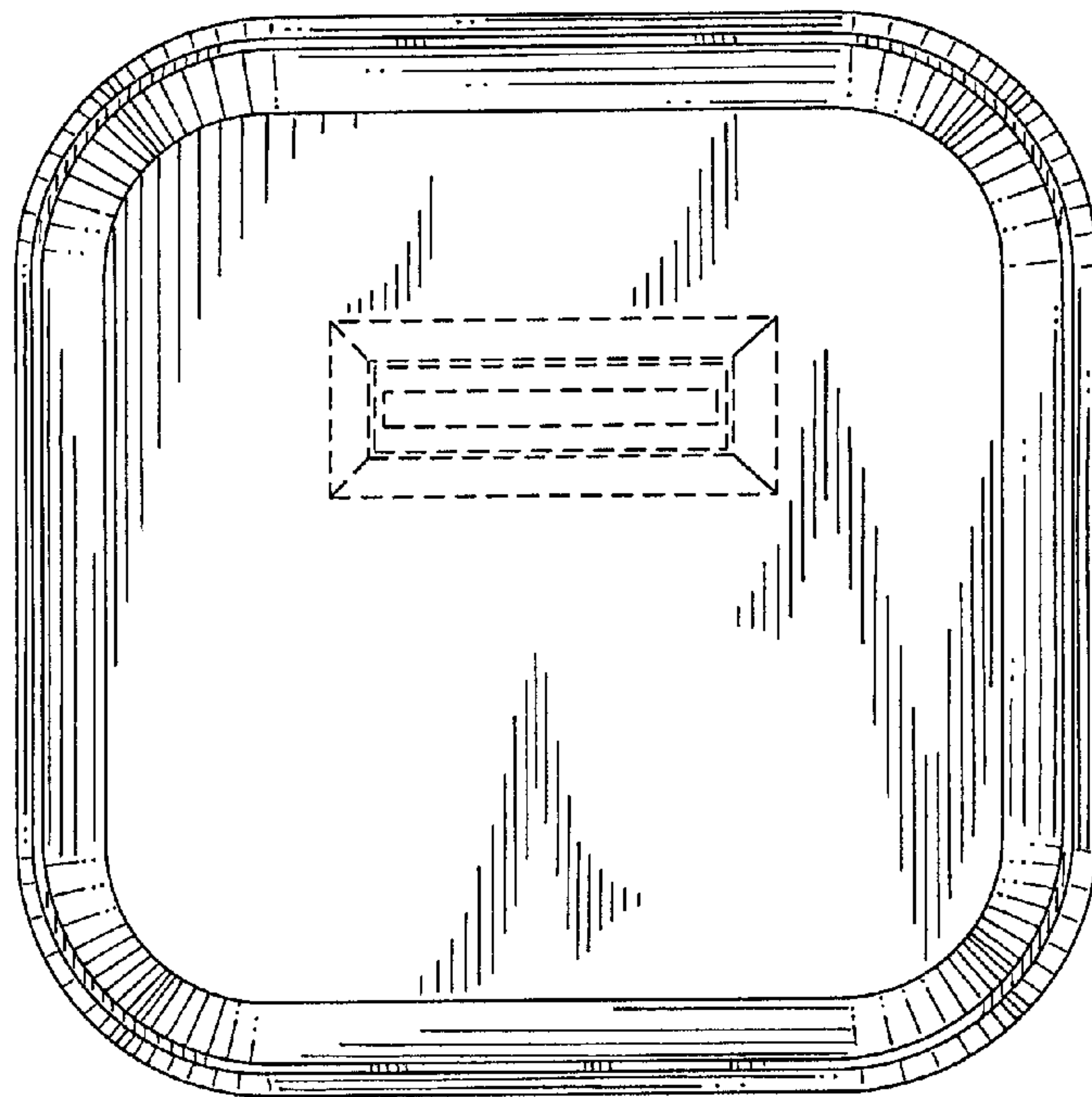


FIG. 3

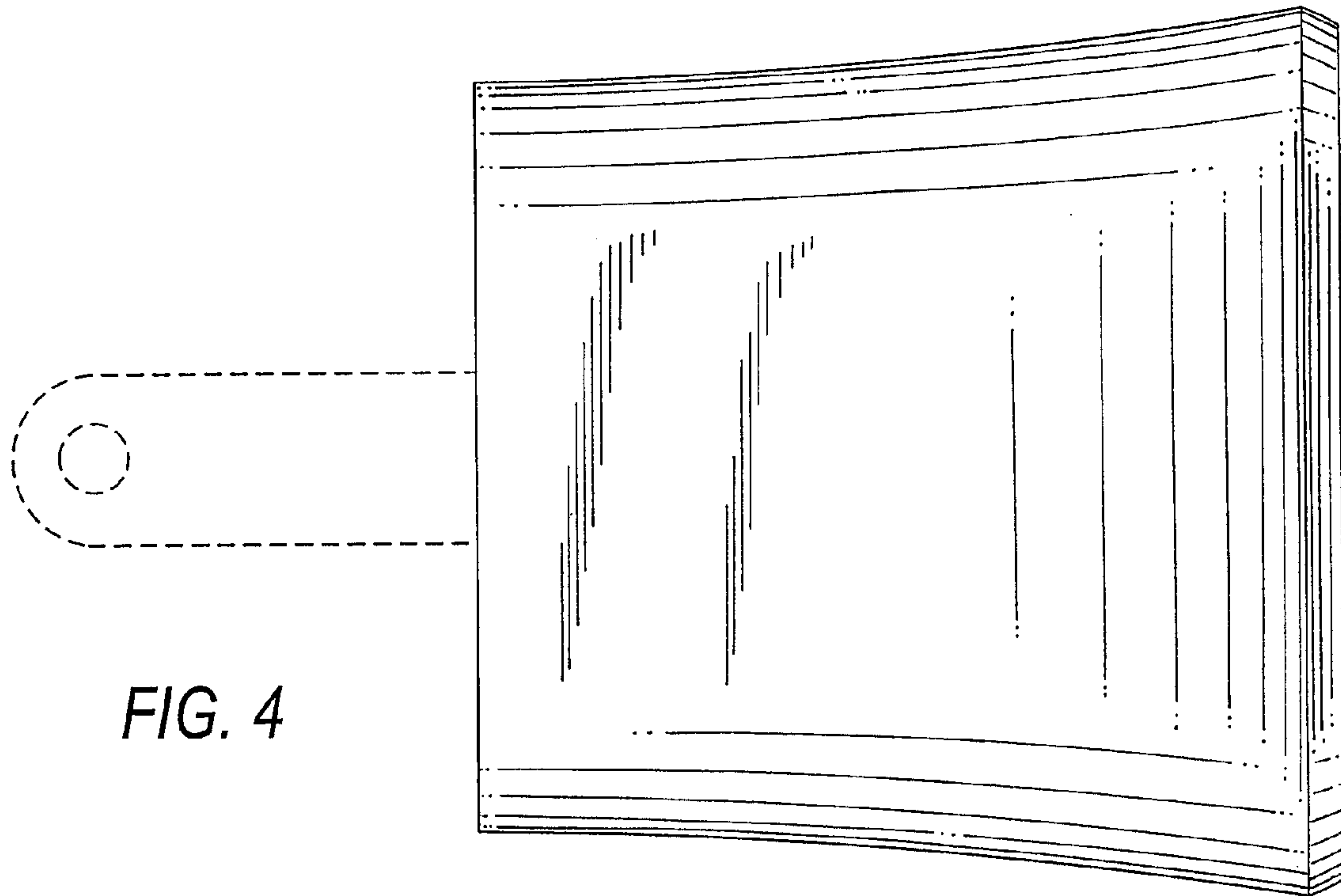


FIG. 4

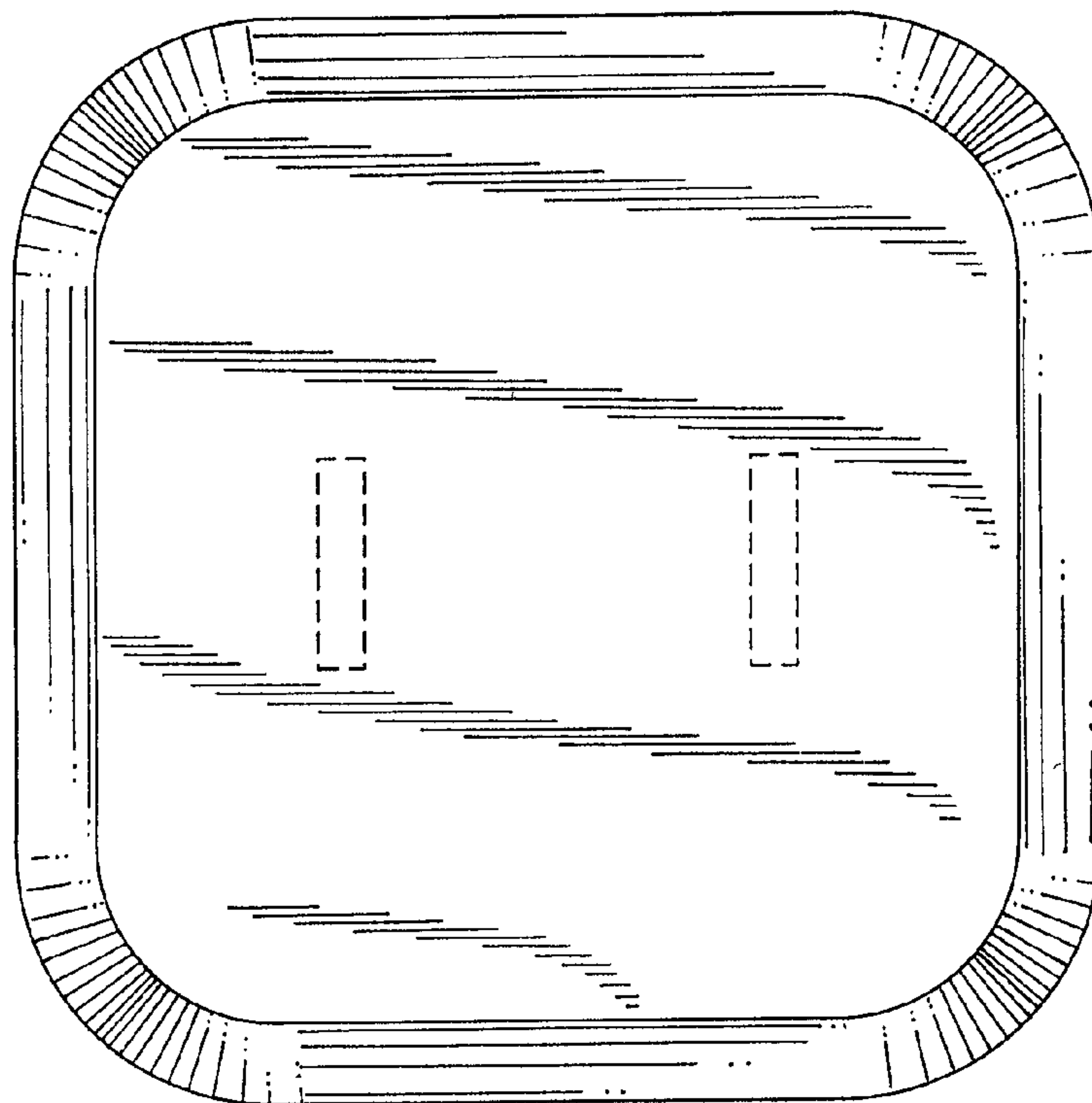


FIG. 5