



US00D702629S

(12) **United States Design Patent**
Fukumochi et al.

(10) **Patent No.:** **US D702,629 S**
(45) **Date of Patent:** **** Apr. 15, 2014**

(54) **SOLAR BATTERY AFFIXING FRAME**

(71) Applicant: **SANYO Electric Co., Ltd.**, Moriguchi (JP)

(72) Inventors: **Shuji Fukumochi**, Kaizuka (JP);
Shinichiro Tsujii, Akashi (JP)

(73) Assignee: **SANYO Electric Company Limited**, Moriguchi-shi (JP)

(**) Term: **14 Years**

(21) Appl. No.: **29/455,623**

(22) Filed: **May 22, 2013**

(30) **Foreign Application Priority Data**

Nov. 22, 2012 (JP) 2012-028619

(51) **LOC (10) Cl.** **13-02**

(52) **U.S. Cl.**
USPC **D13/102**

(58) **Field of Classification Search**
USPC D13/102, 118, 184, 199; D8/349, 354,
D8/355, 356; D25/119, 123, 124, 125;
52/173.3, 460; 126/573, 580; 136/206,
136/244–251, 256, 291, 292; 439/567

See application file for complete search history.

(56) **References Cited**

U.S. PATENT DOCUMENTS

D270,660 S * 9/1983 Ort D13/102

D312,315 S * 11/1990 Westphal et al. D25/122
D344,598 S * 2/1994 Ehmke et al. D25/124
D384,426 S * 9/1997 Kenkel D25/124
D472,791 S * 4/2003 Callahan et al. D8/349
D547,262 S * 7/2007 Ullman D13/102
7,260,918 B2 * 8/2007 Liebendorfer 52/173.3
D651,969 S * 1/2012 Turk et al. D13/102
D667,289 S * 9/2012 Preda D8/354
2007/0212935 A1 * 9/2007 Lenox 439/567

* cited by examiner

Primary Examiner — Derrick Holland

(74) *Attorney, Agent, or Firm* — Westerman, Hattori,
Daniels & Adrian, LLP

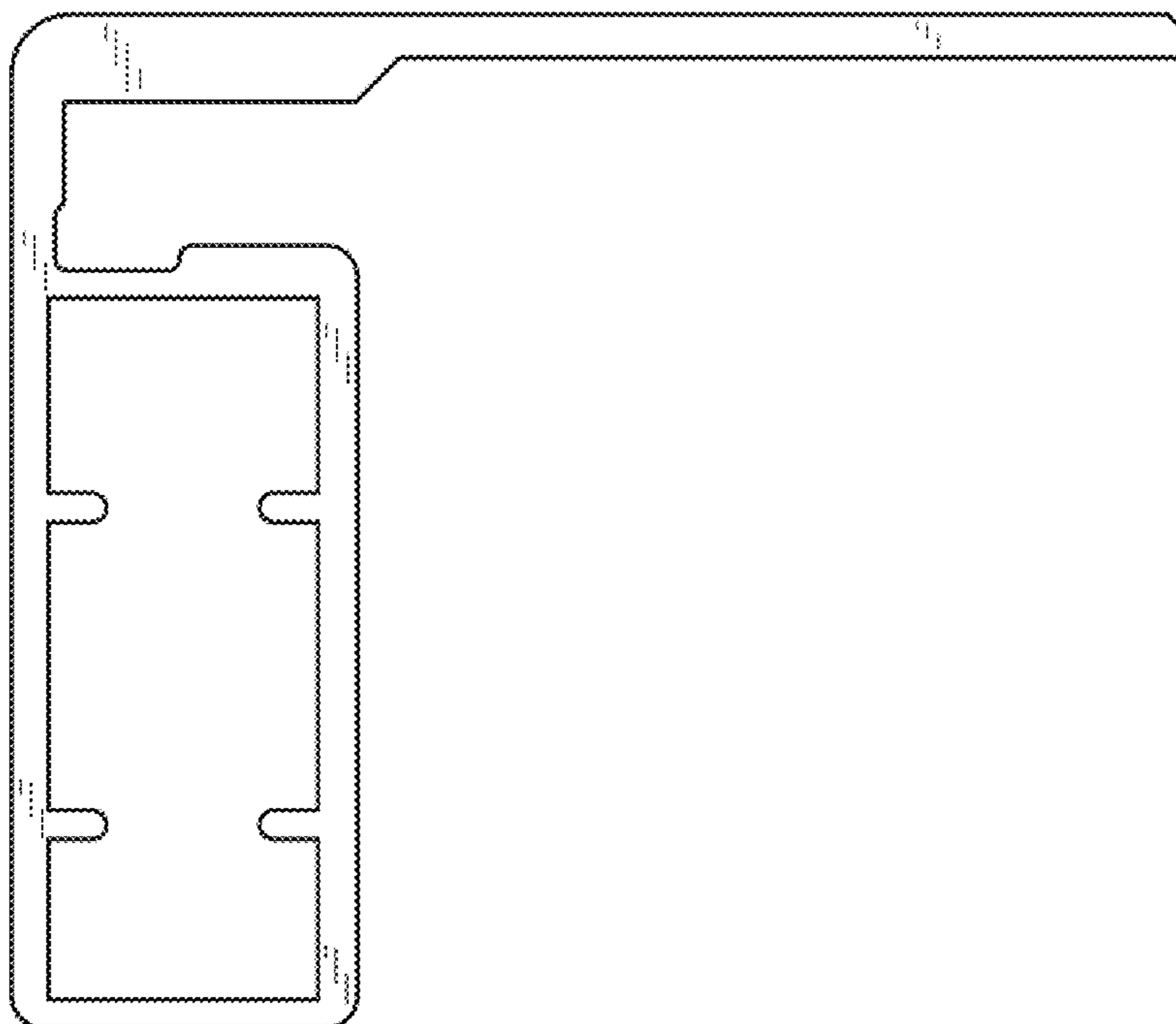
(57) **CLAIM**

The ornamental design for a solar battery affixing frame, as shown and described.

DESCRIPTION

FIG. 1 is a right side elevational view of a solar battery affixing frame showing our new design, the left side elevational view being a mirror image thereof; FIG. 2 is a front elevational view thereof; FIG. 3 is a rear elevational view thereof; FIG. 4 is top plan view thereof; and, FIG. 5 is a bottom plan view thereof.

1 Claim, 5 Drawing Sheets



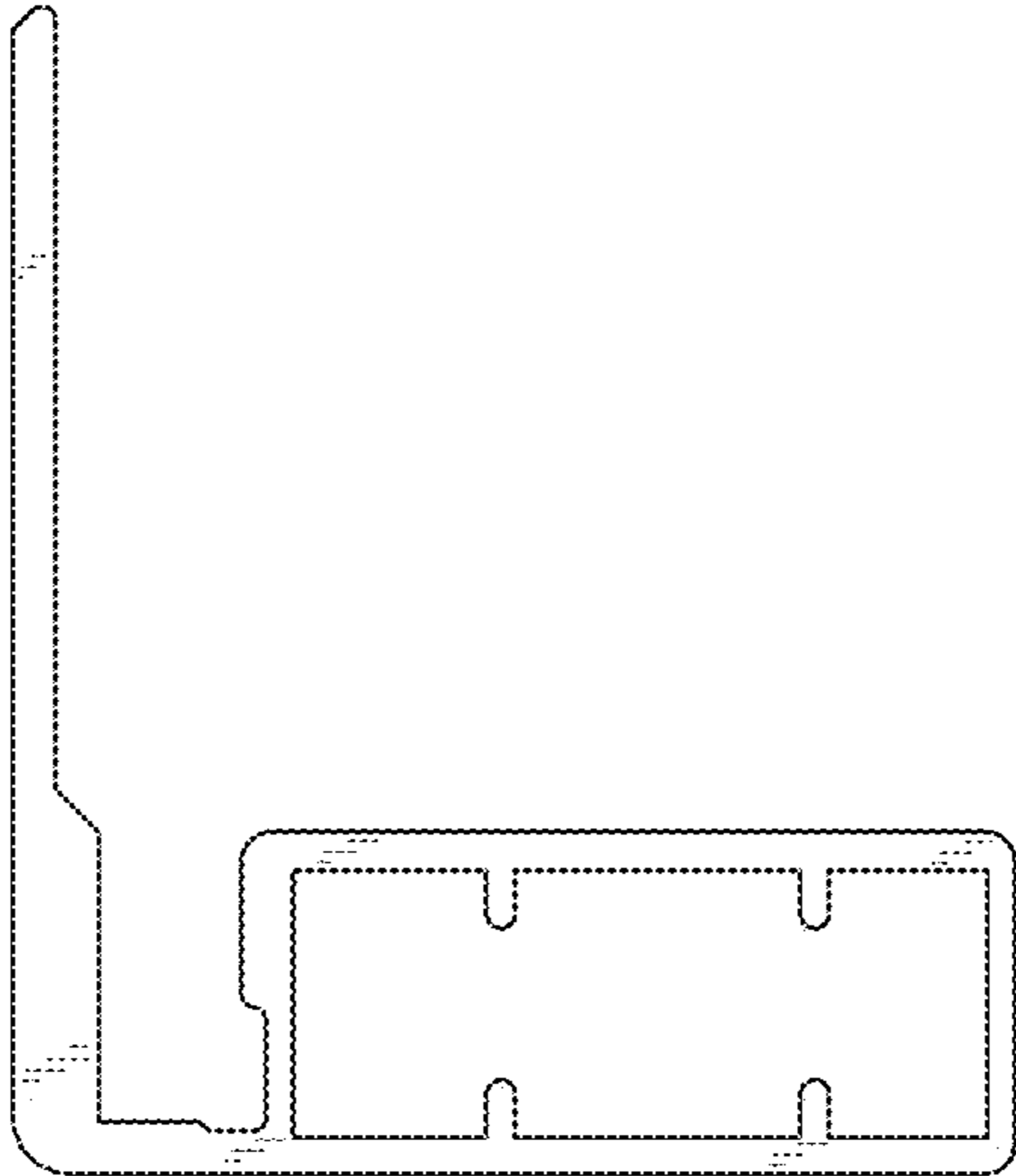


FIG. 1

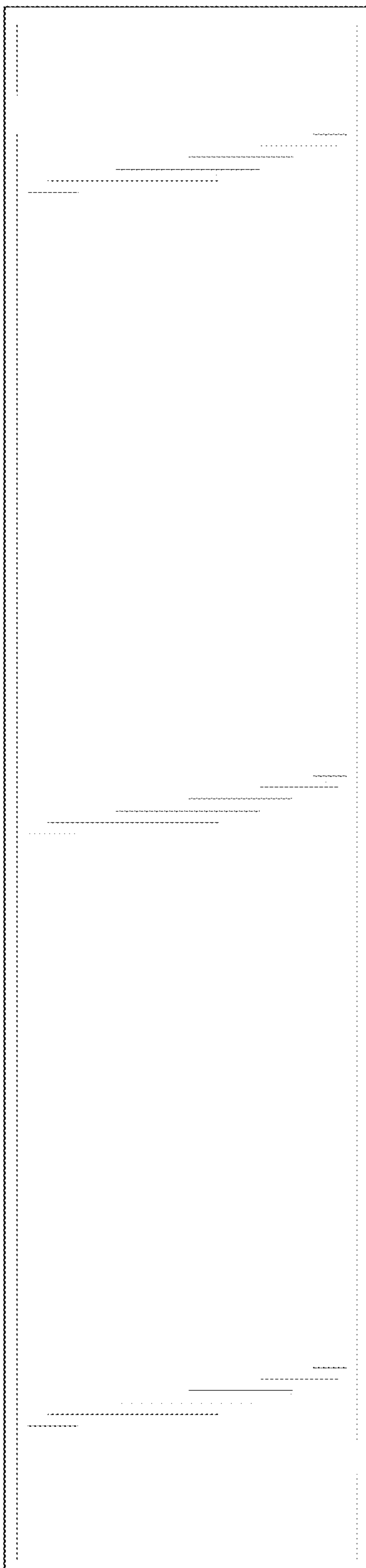


FIG.2

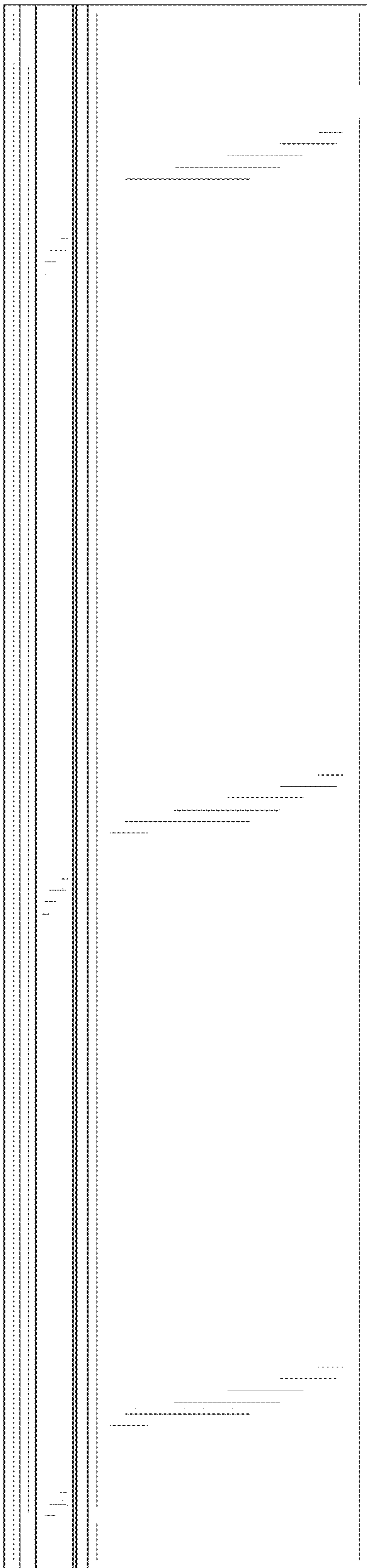


FIG. 3

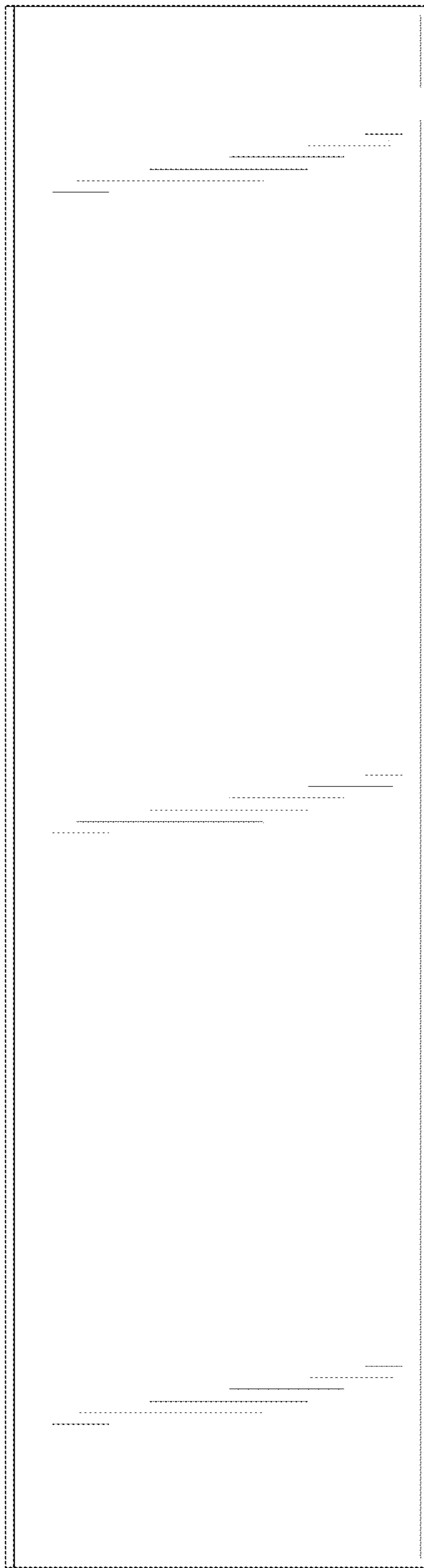


FIG.4

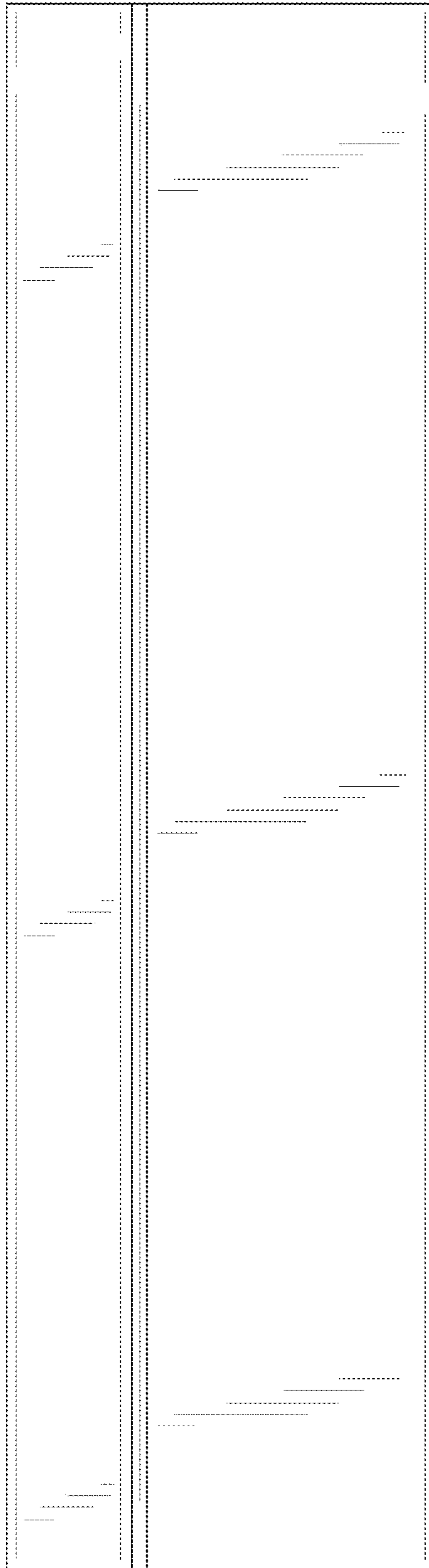


FIG. 5