



US00D702628S

(12) **United States Design Patent**
Williams

(10) **Patent No.:** **US D702,628 S**

(45) **Date of Patent:** **** Apr. 15, 2014**

(54) **REACTOR**

(71) Applicant: **Sabre Intellectual Property Holdings LLC**, Slingerlands, NY (US)

(72) Inventor: **Peter Williams**, Manchester (GB)

(73) Assignee: **Sabre Intellectual Property Holdings LLC**, Slingerlands, NY (US)

(**) Term: **14 Years**

(21) Appl. No.: **29/461,123**

(22) Filed: **Jul. 18, 2013**

(51) **LOC (10) Cl.** **13-02**

(52) **U.S. Cl.**
USPC **D13/101**

(58) **Field of Classification Search**
USPC D13/101, 133, 184, 199; 356/432, 436, 356/437; 422/28, 37, 129, 139, 140, 141, 422/145, 236; 423/477, 478; 376/220, 228, 376/230, 347

See application file for complete search history.

(56) **References Cited**

U.S. PATENT DOCUMENTS

1,968,940 A * 8/1934 Gross 392/342
D222,263 S * 10/1971 De Sio D13/133
3,959,072 A * 5/1976 Dupen 376/237
4,247,531 A * 1/1981 Hicks 423/477

D312,445 S * 11/1990 Crosby D13/101
6,304,327 B1 * 10/2001 Campbell et al. 356/437
6,468,479 B1 10/2002 Mason et al.
7,077,995 B2 * 7/2006 Roensch et al. 422/37
D540,251 S * 4/2007 Schmidt et al. D13/101
7,601,304 B1 * 10/2009 Palmas et al. 422/140

* cited by examiner

Primary Examiner — Derrick Holland

(74) *Attorney, Agent, or Firm* — Heslin Rothenberg Farley & Mesiti P.C.

(57) **CLAIM**

The ornamental design for a reactor, as shown and described.

DESCRIPTION

FIG. 1 is a perspective view of a reactor showing my new design.

FIG. 2 is a front elevational view thereof;

FIG. 3 is back elevational view thereof;

FIG. 4 is a side elevational view from one side of the reactor shown in FIG. 1;

FIG. 5 is a side elevational view from the other side of the reactor shown in FIG. 1;

FIG. 6 is a top plan view thereof;

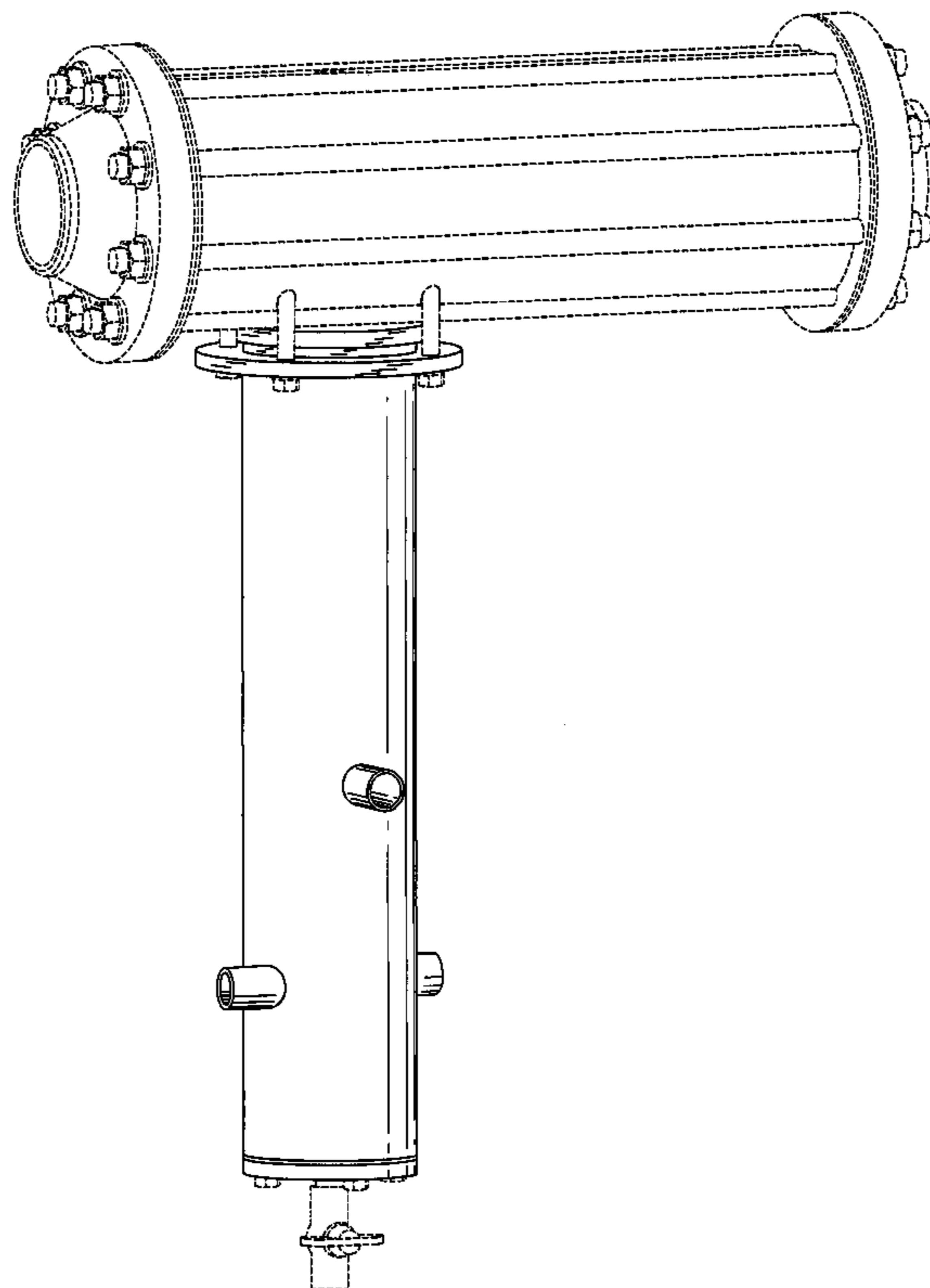
FIG. 7 is a bottom plan view thereof;

FIG. 8 is a cross-sectional front elevational view thereof, taken along line 8-8 of FIG. 6; and,

FIG. 9 is an exploded front view thereof.

The broken lines shown represent unclaimed subject matter and form no part of the claimed invention.

1 Claim, 9 Drawing Sheets



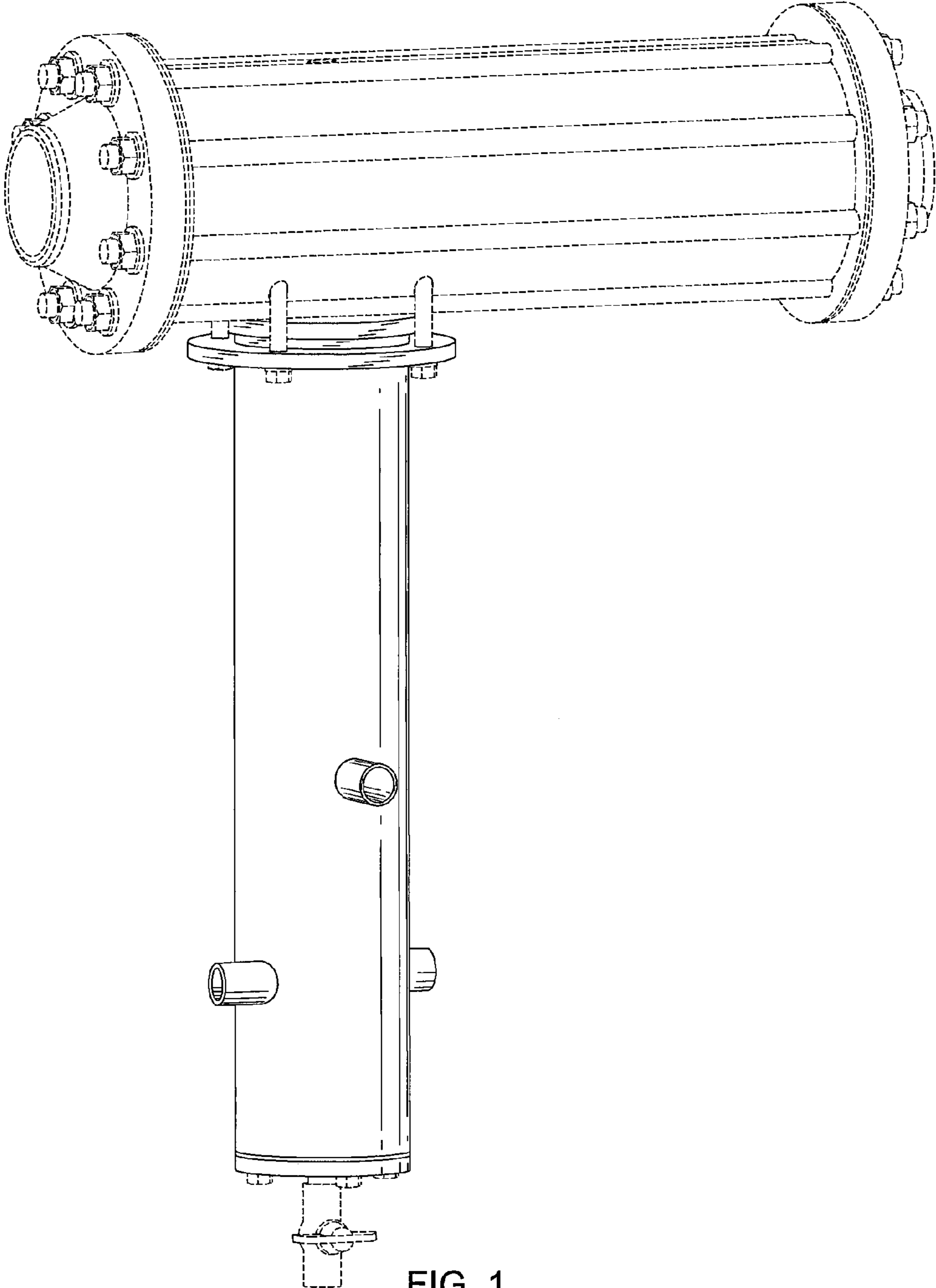


FIG. 1

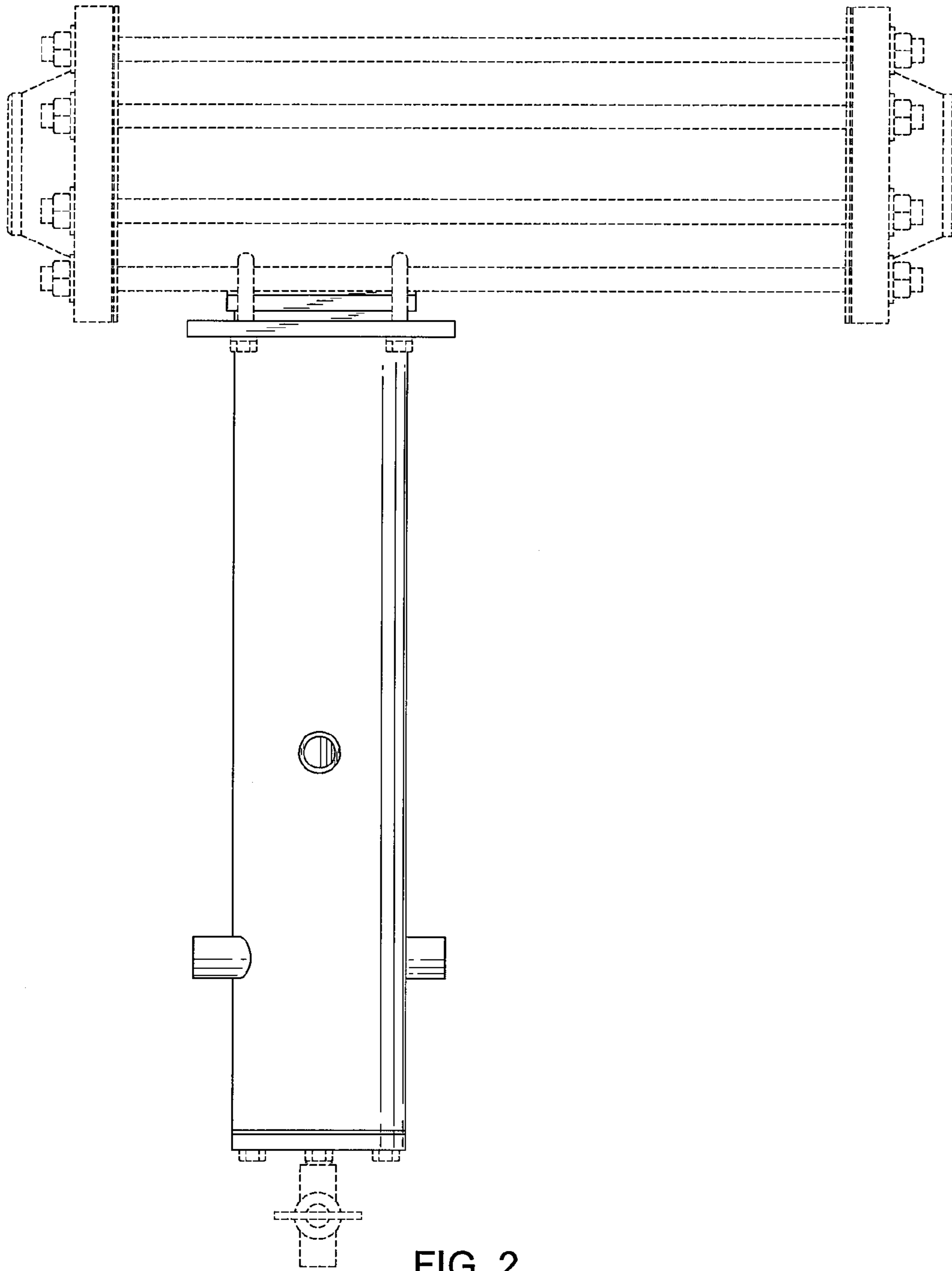


FIG. 2

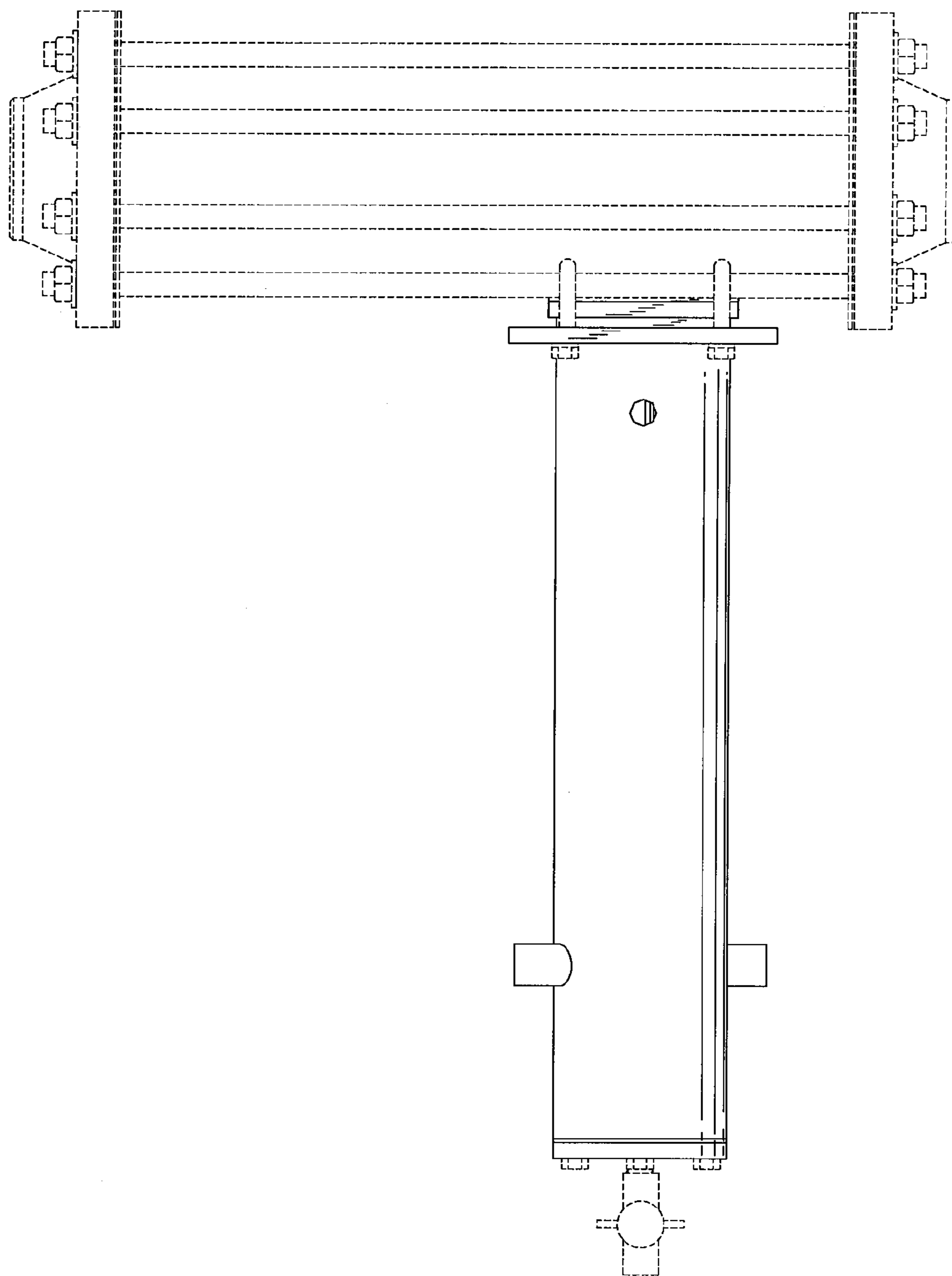


FIG. 3

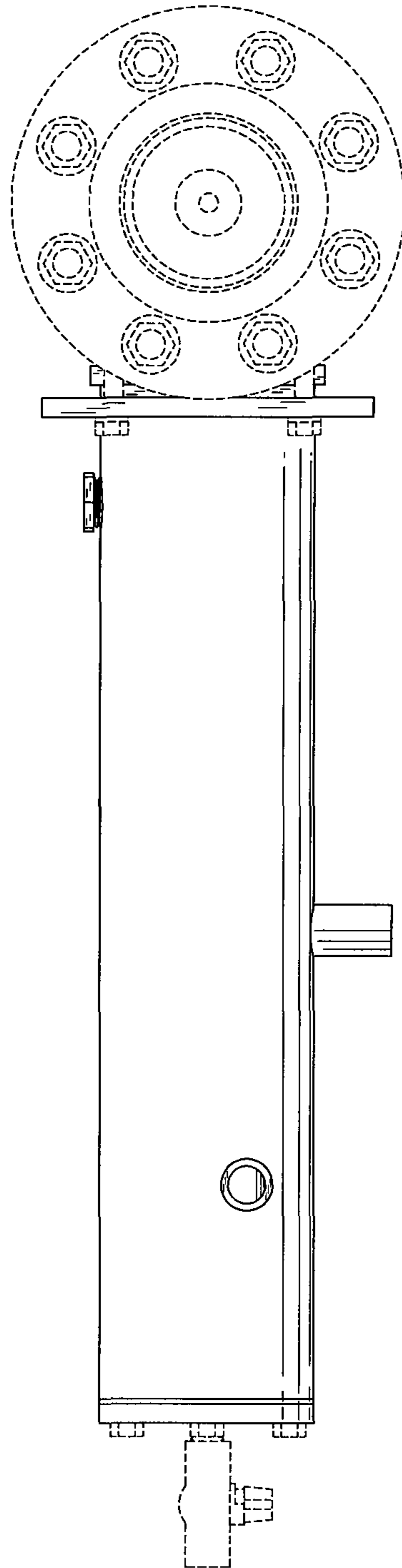


FIG. 4

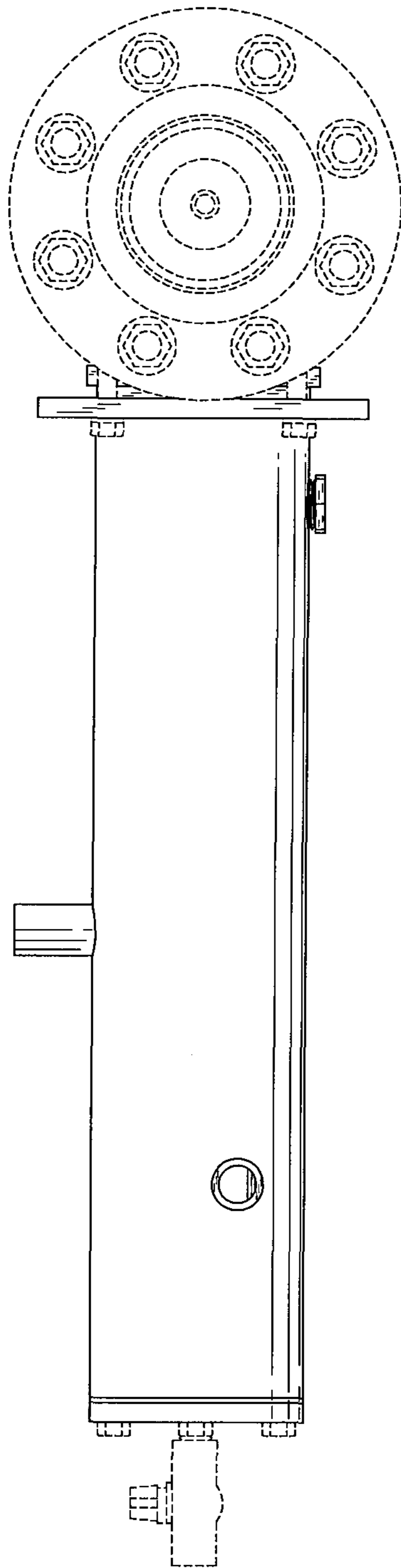


FIG. 5

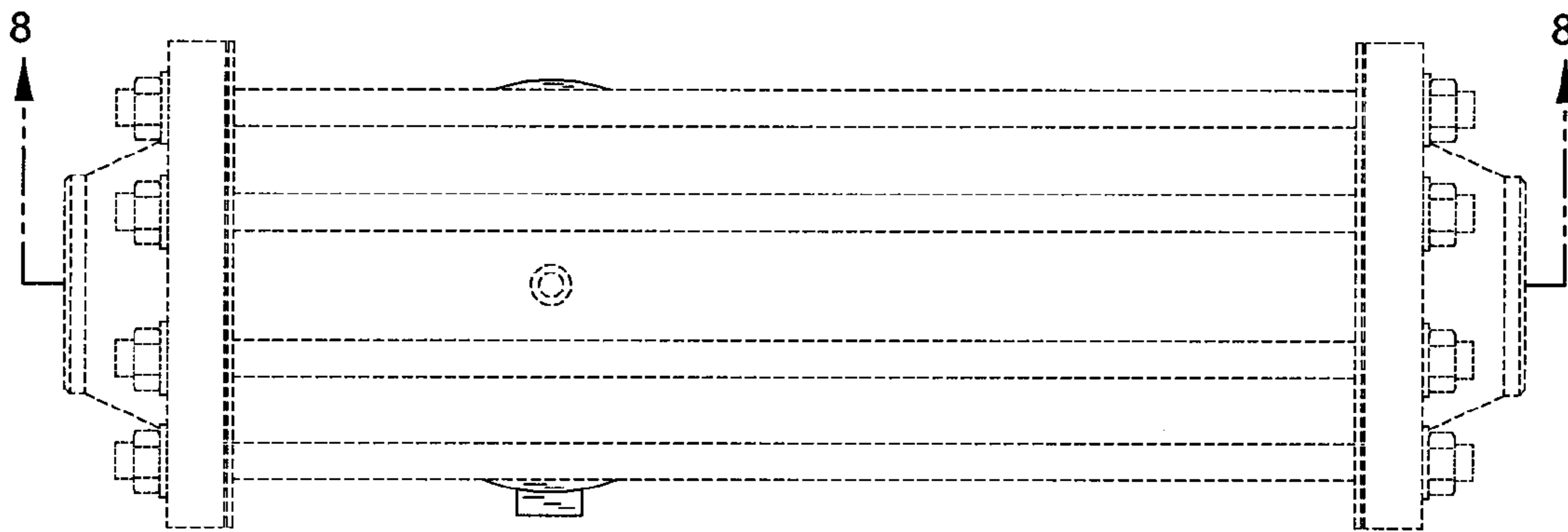


FIG. 6

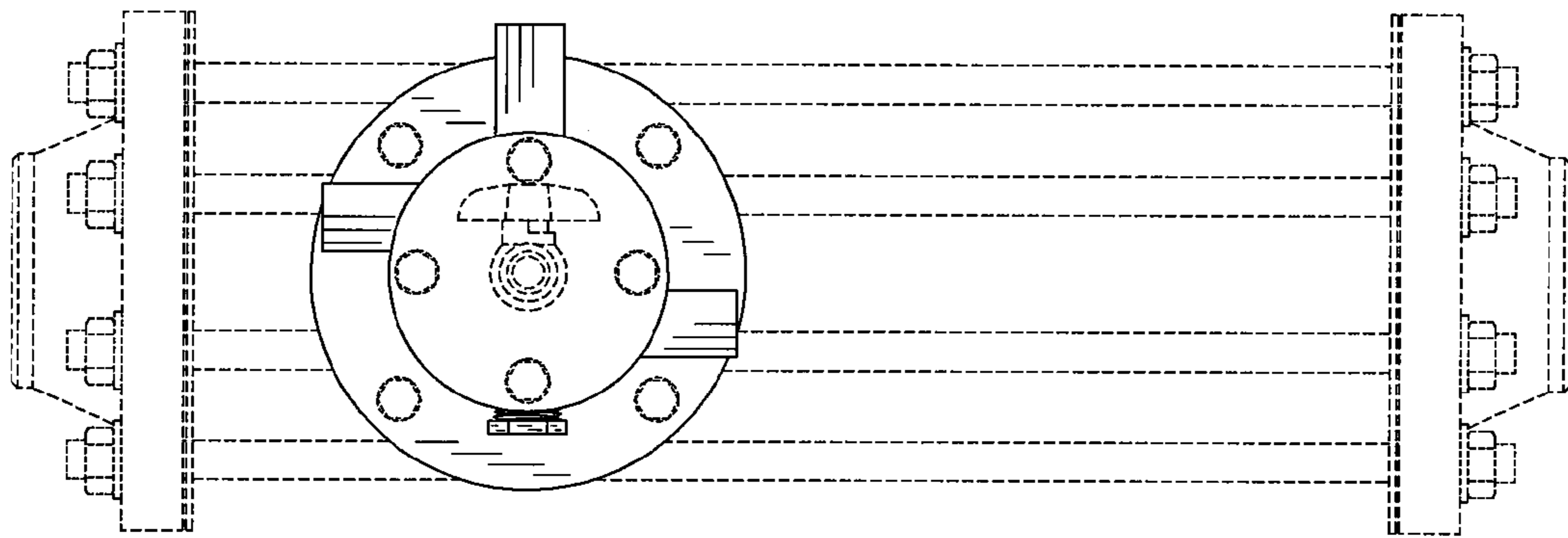


FIG. 7

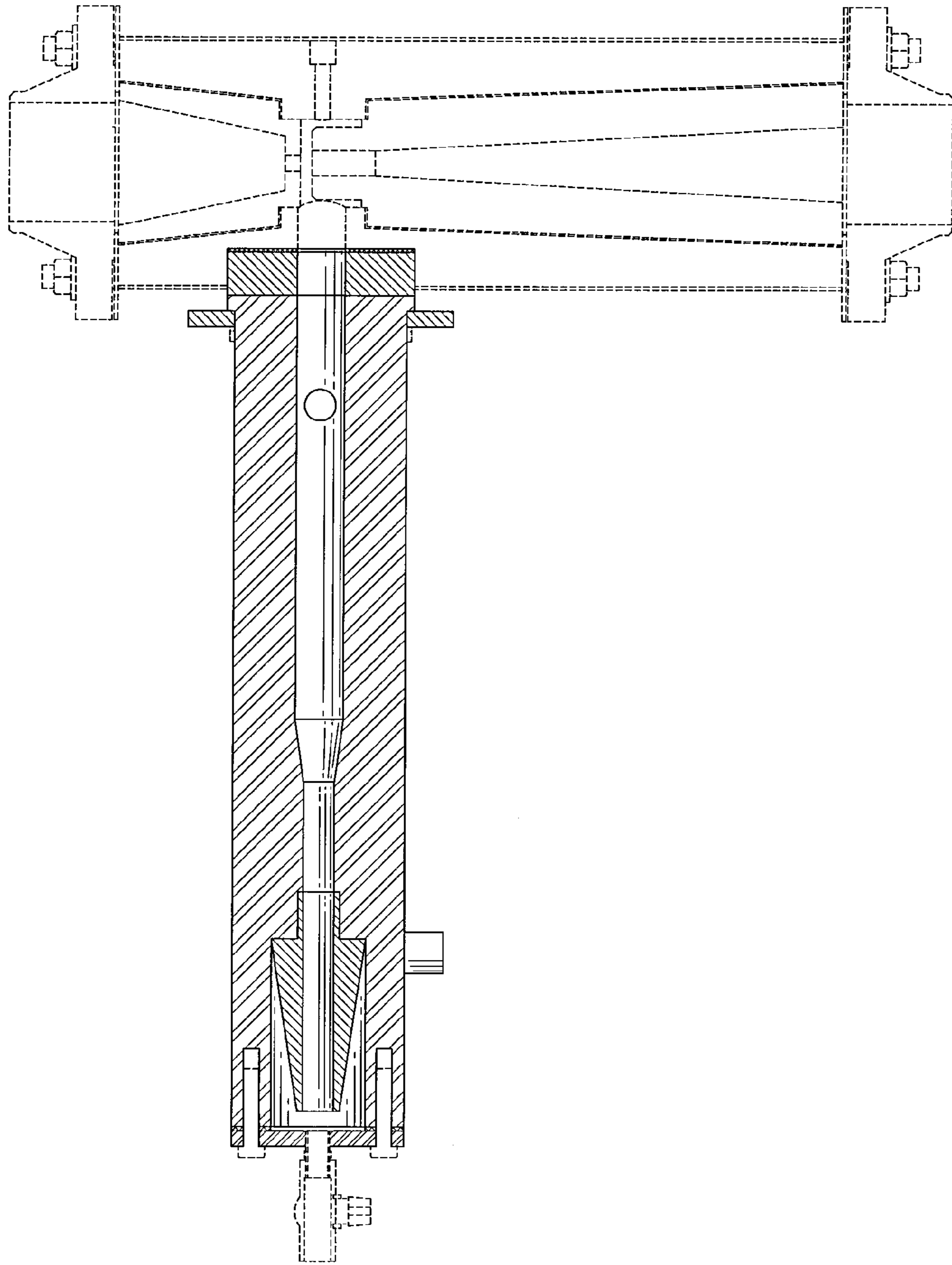


FIG. 8

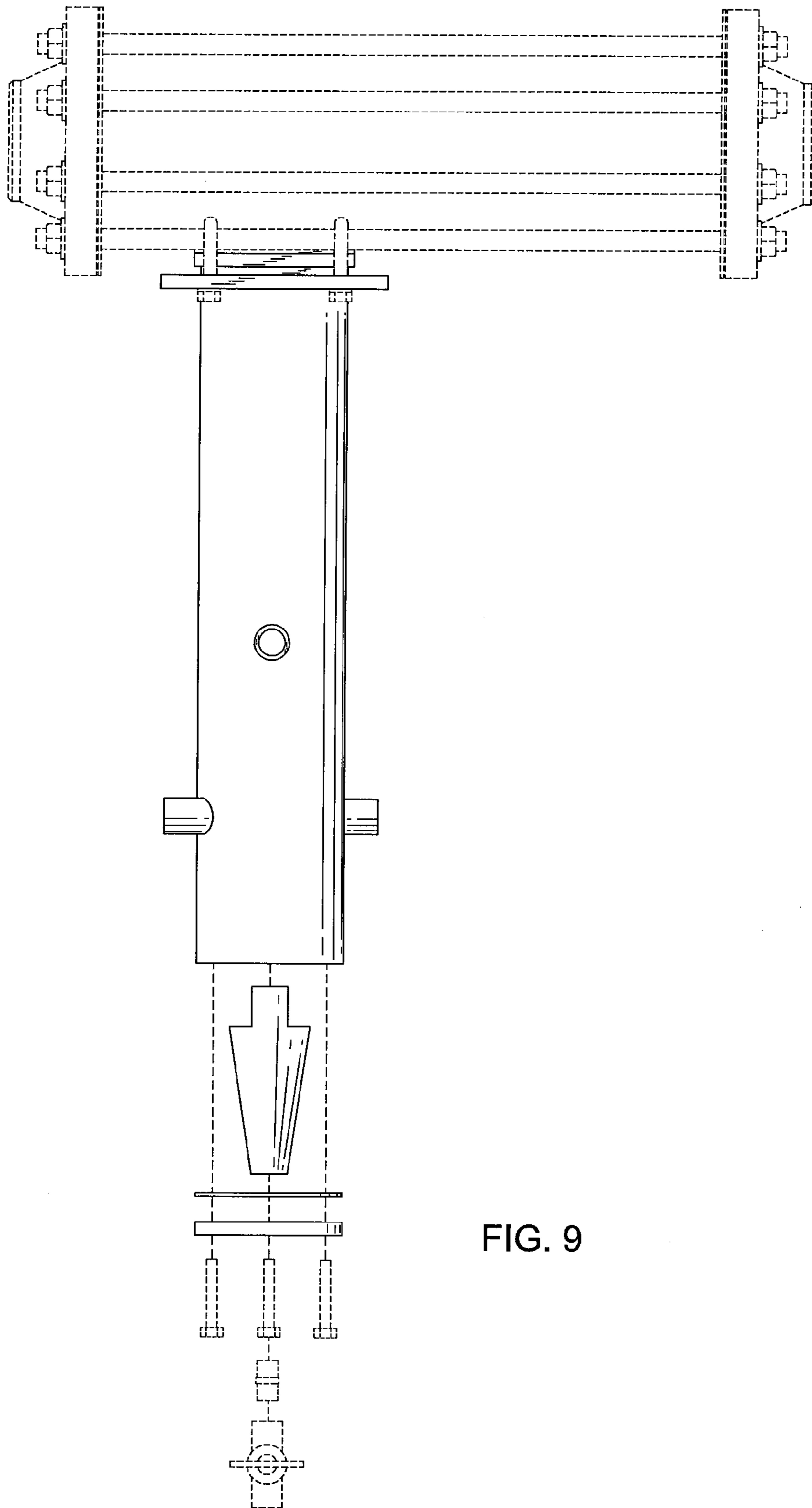


FIG. 9