



US00D702623S

(12) **United States Design Patent**
Salzberger et al.

(10) **Patent No.:** **US D702,623 S**

(45) **Date of Patent:** **** Apr. 15, 2014**

(54) **AIRCRAFT STORAGE MODULE**

(75) Inventors: **Claude Salzberger**, New York, NY
(US); **Diego Kolsky**, New York, NY
(US); **Robert McDougle**, New York, NY
(US)

(73) Assignee: **LAN Airlines S.A.**, Santiago (CL)

(**) Term: **14 Years**

(21) Appl. No.: **29/427,209**

(22) Filed: **Jul. 16, 2012**

(51) **LOC (10) Cl.** **12-07**

(52) **U.S. Cl.**
USPC **D12/345; D6/356**

(58) **Field of Classification Search**
USPC D12/345, 400, 415, 416, 419, 421, 423,
D12/424, 425, 426; D6/356, 433, 553, 474;
244/117 R, 118.5, 118.6, 119;
211/88.01; 297/118, 188.01, 188.08;
312/245

See application file for complete search history.

(56) **References Cited**

U.S. PATENT DOCUMENTS

D150,378 S *	7/1948	Spence	D6/474
D325,313 S *	4/1992	Evenson	D6/553
D337,901 S *	8/1993	van den Nieuwelaar	D6/433
D382,534 S *	8/1997	Green	D12/415
D439,425 S *	3/2001	Park et al.	D6/356
6,692,091 B2 *	2/2004	Mulaw	312/245
D493,294 S *	7/2004	Newson	D6/356
D510,816 S *	10/2005	Lee	D6/356
7,004,334 B2 *	2/2006	Walsh et al.	211/88.01
D591,520 S *	5/2009	Orson et al.	D6/356
D592,412 S *	5/2009	Suge et al.	D6/356

D611,260 S *	3/2010	Plant	D6/356
D621,330 S *	8/2010	Bock	D12/345
D623,577 S *	9/2010	Orson et al.	D12/345
D641,982 S *	7/2011	Darbyshire	D6/356
8,011,723 B2 *	9/2011	Park et al.	297/118
D652,644 S *	1/2012	Porter et al.	D6/356
D686,423 S *	7/2013	Salzberger et al.	D6/356
2009/0084897 A1 *	4/2009	Ferry et al.	244/118.6
2010/0252680 A1 *	10/2010	Porter	244/118.6
2011/0253838 A1 *	10/2011	Bettell	244/118.6
2012/0292957 A1 *	11/2012	Vergnaud et al.	297/188.08

* cited by examiner

Primary Examiner — Caron D Veynar

Assistant Examiner — Martie K Holtje

(74) *Attorney, Agent, or Firm* — Finnegan, Henderson, Farabow, Garrett & Dunner, LLP

(57) **CLAIM**

The ornamental design for an aircraft storage module, as shown and described.

DESCRIPTION

FIG. 1 is a front perspective view of an aircraft storage module showing our new design;

FIG. 2 is a rear perspective view thereof;

FIG. 3 front view thereof;

FIG. 4 is a rear view thereof;

FIG. 5 is a left side elevation view;

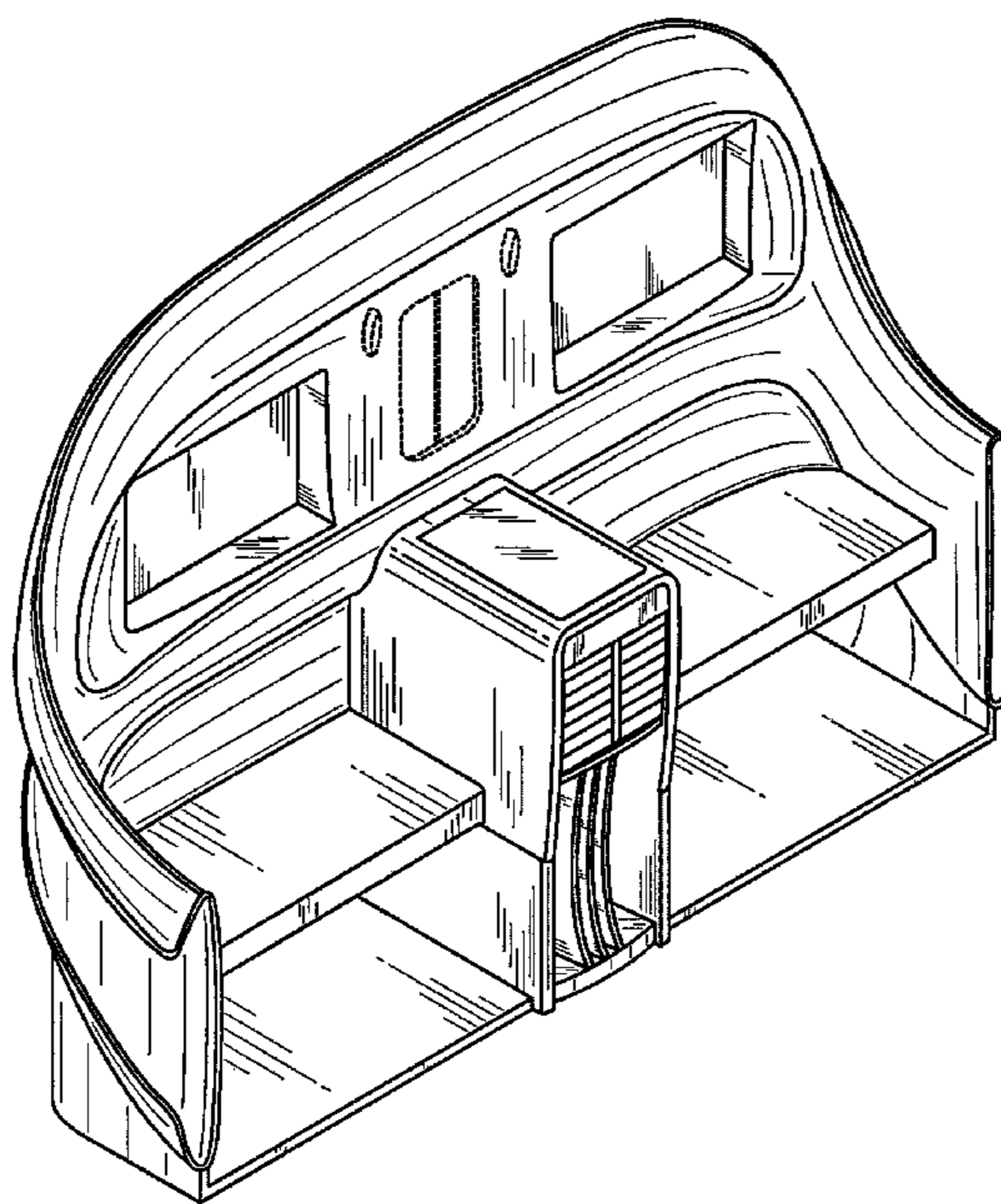
FIG. 6 is a right side view thereof;

FIG. 7 is a top plan view thereof; and,

FIG. 8 is a bottom view thereof.

The structural features depicted with broken lines in FIGS. 1 and 3 have been shown for the purpose of illustrating portions of the claimed aircraft storage module that form no part of the claimed design.

1 Claim, 7 Drawing Sheets



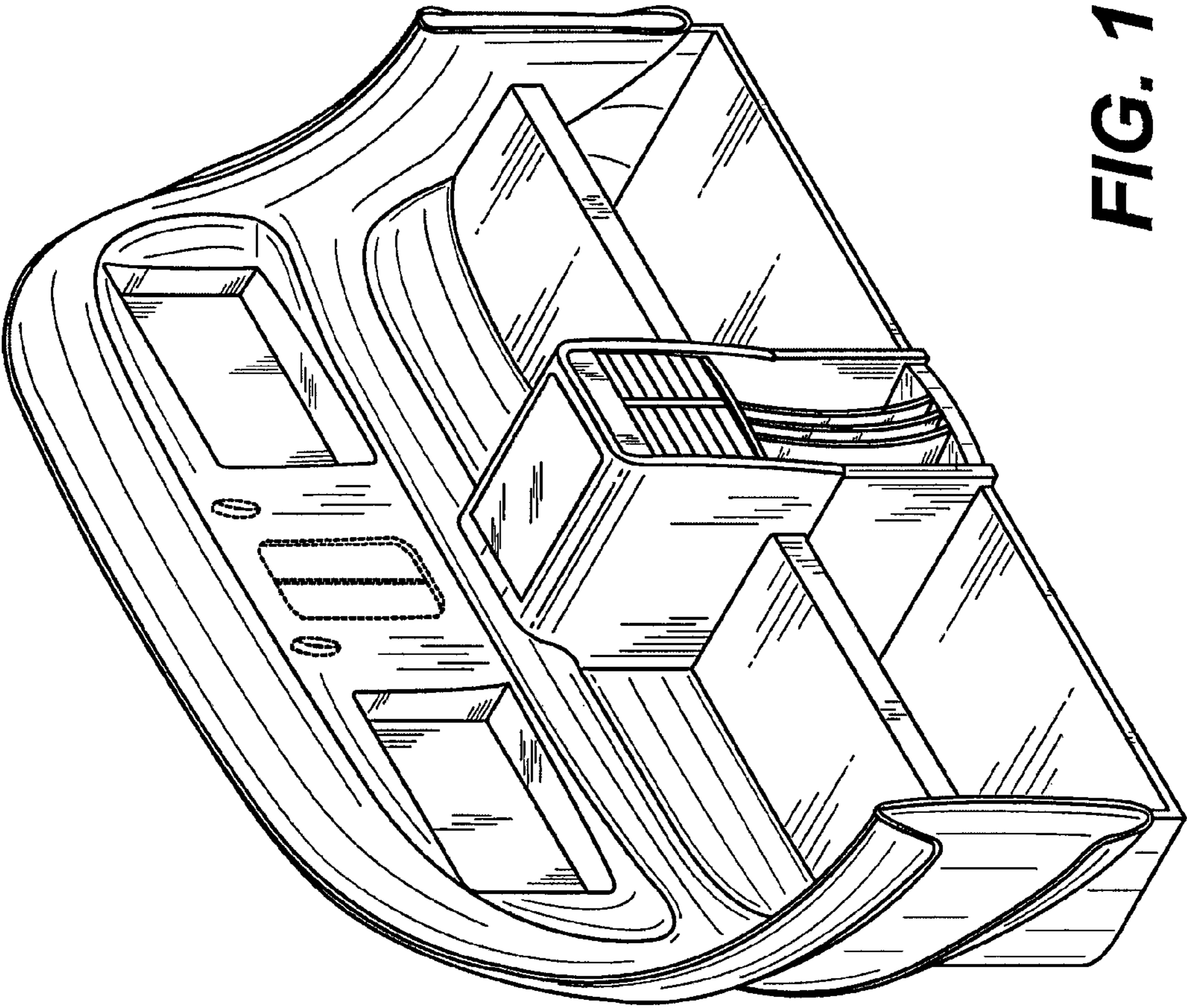


FIG. 1

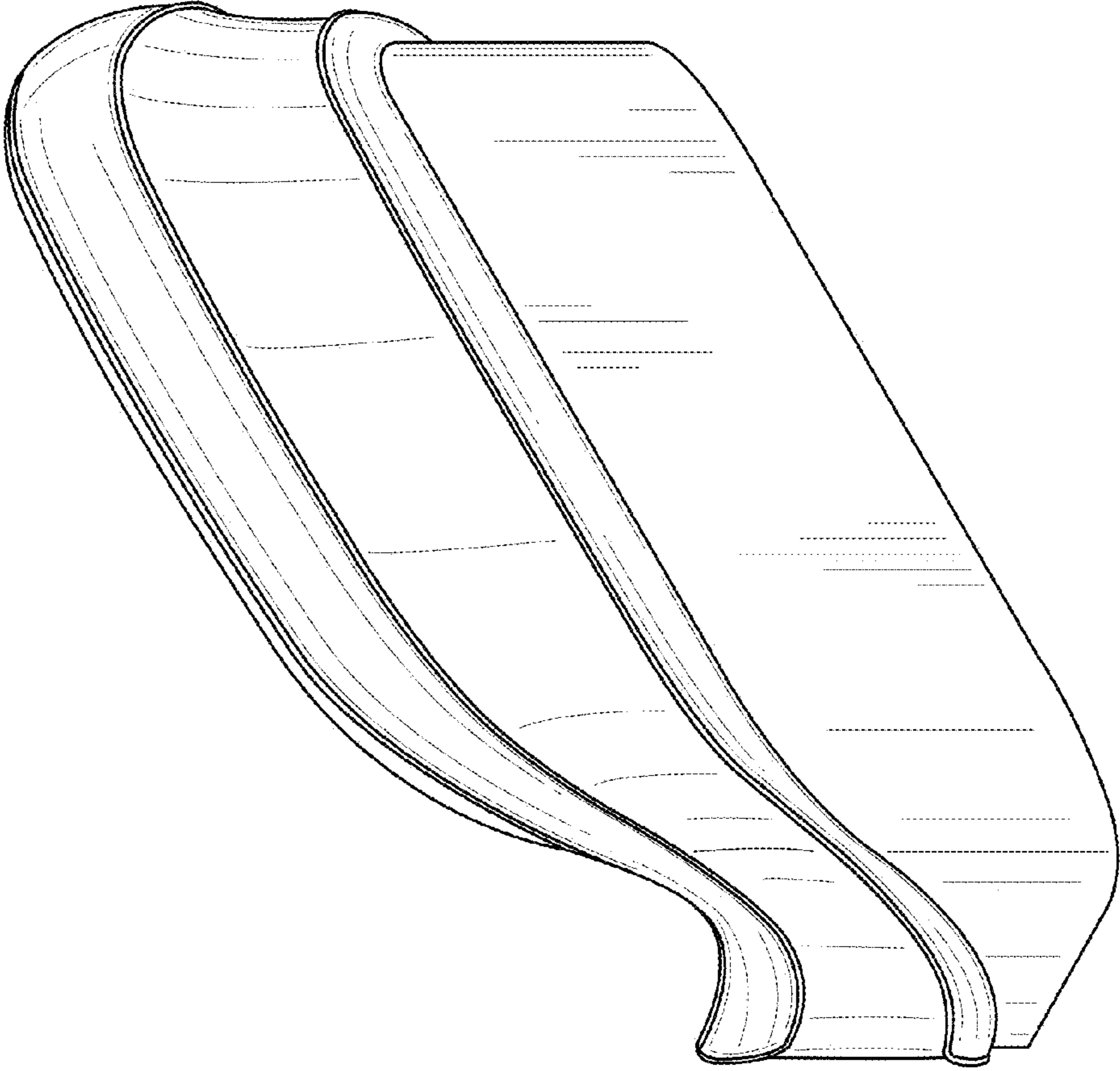


FIG. 2

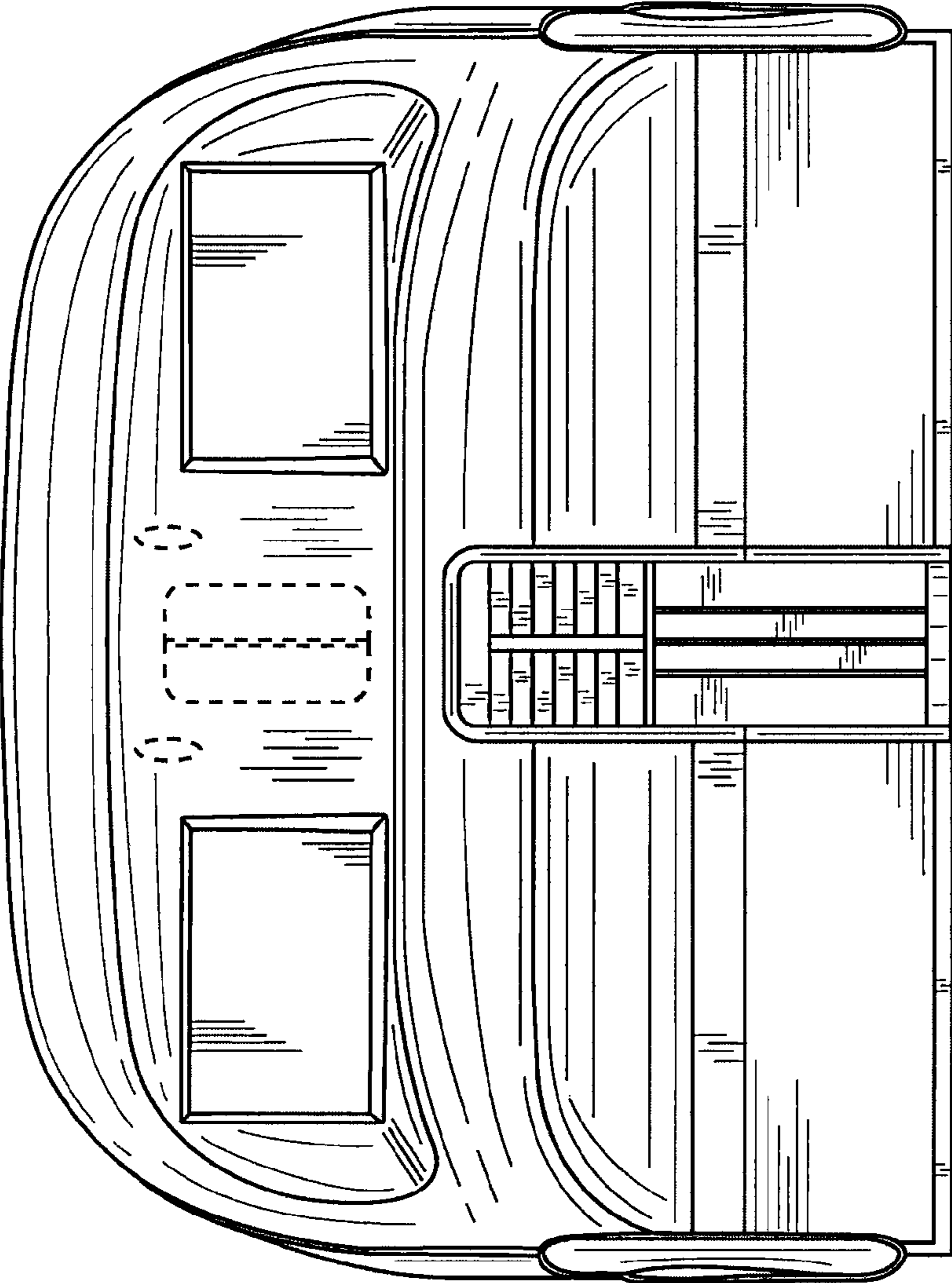


FIG. 3

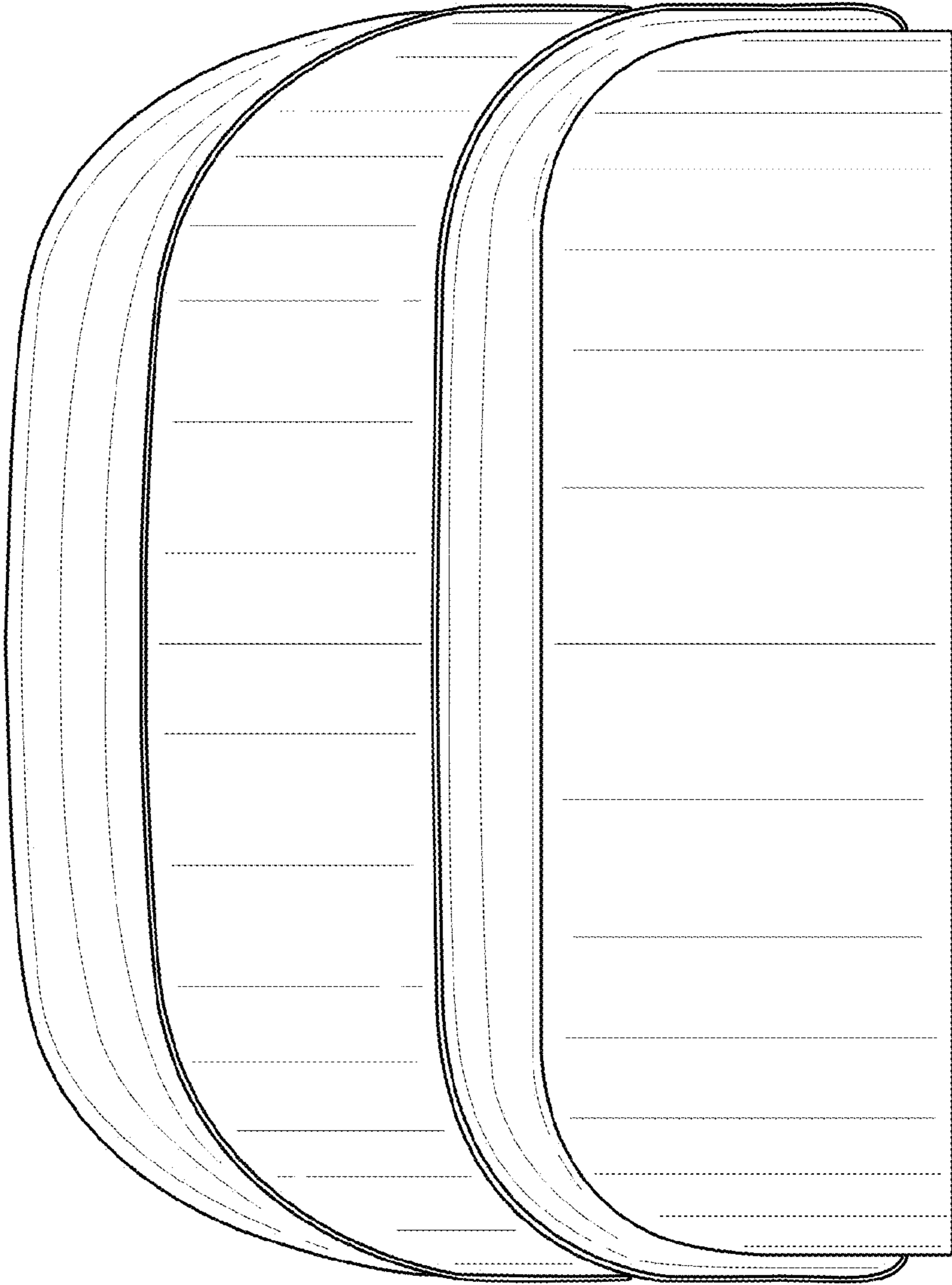


FIG. 4

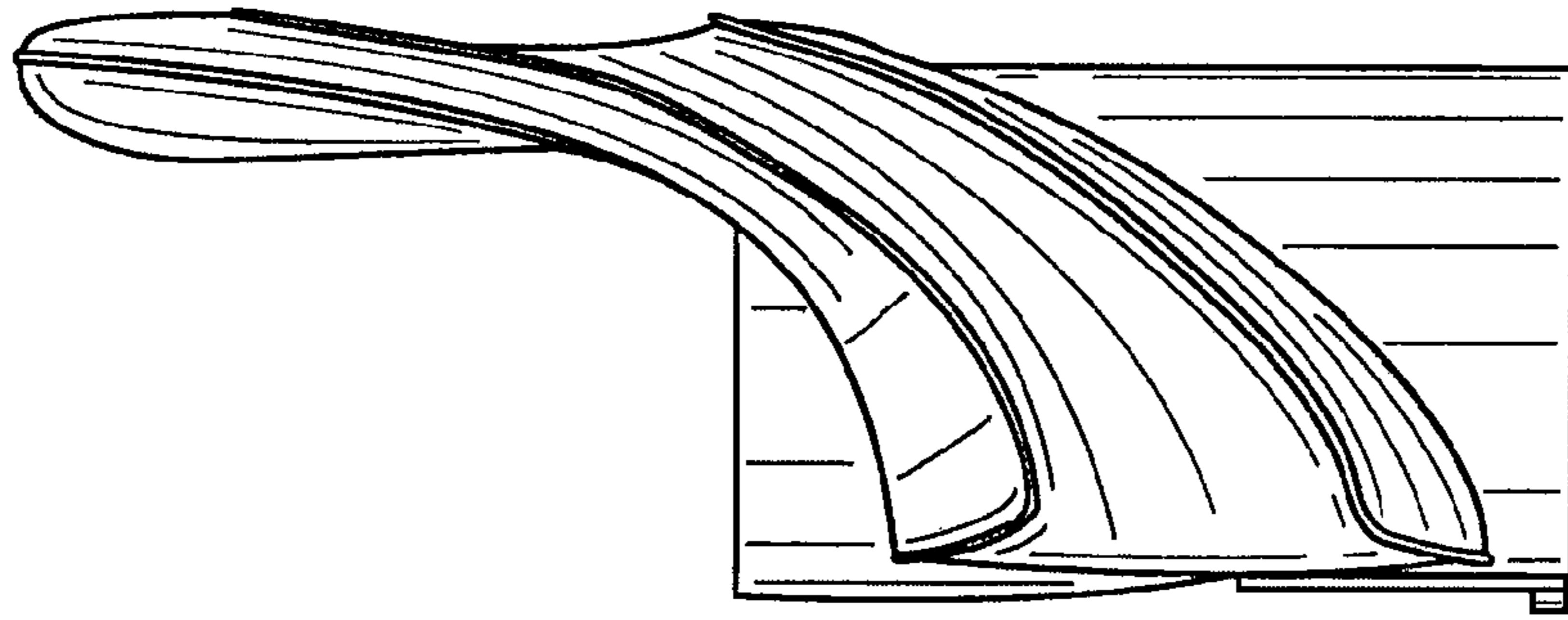


FIG. 6

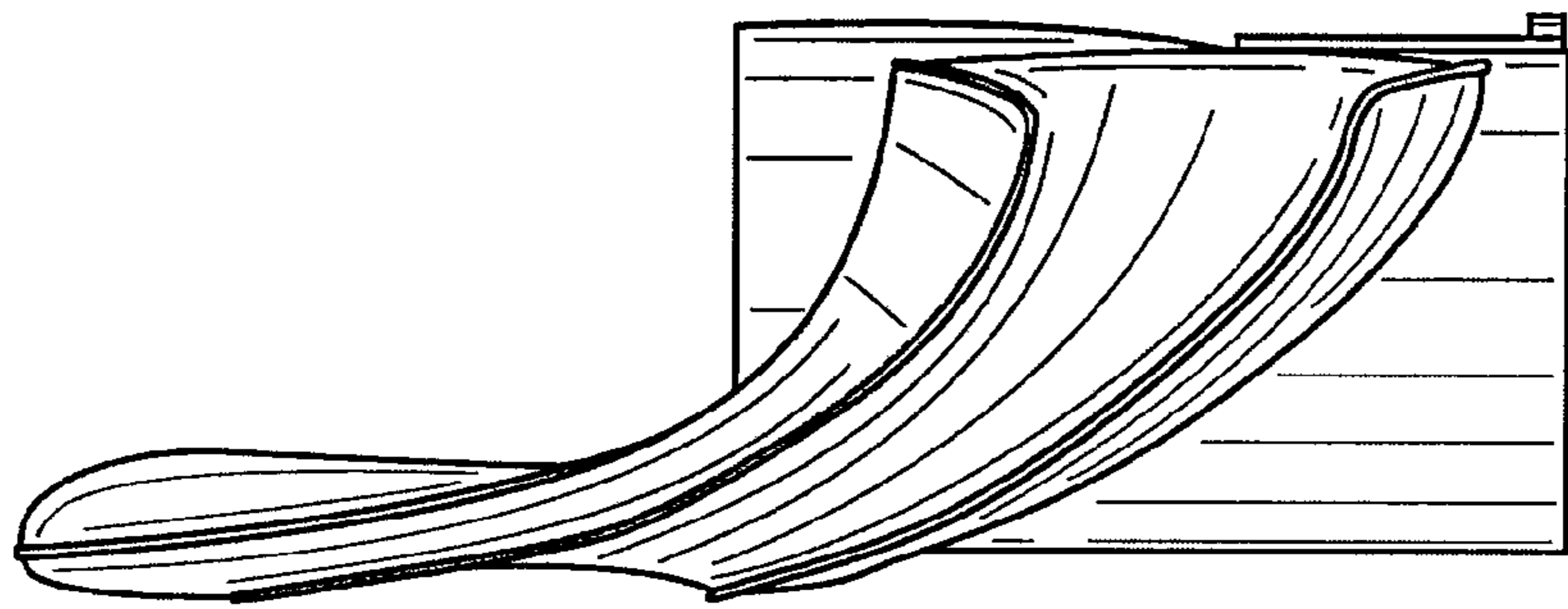


FIG. 5

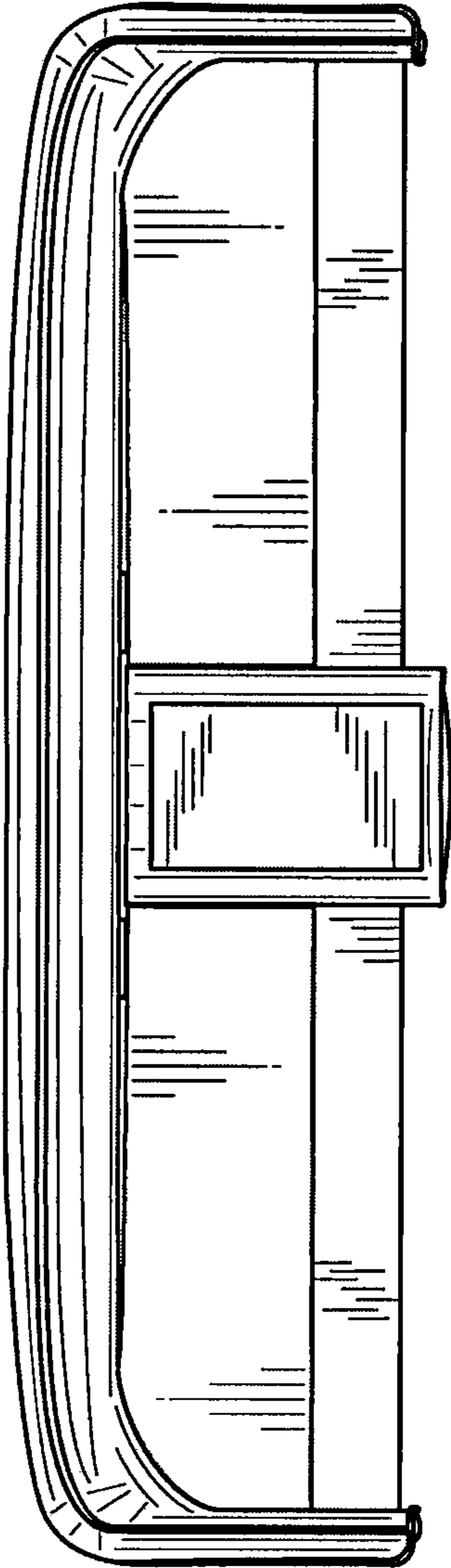


FIG. 7

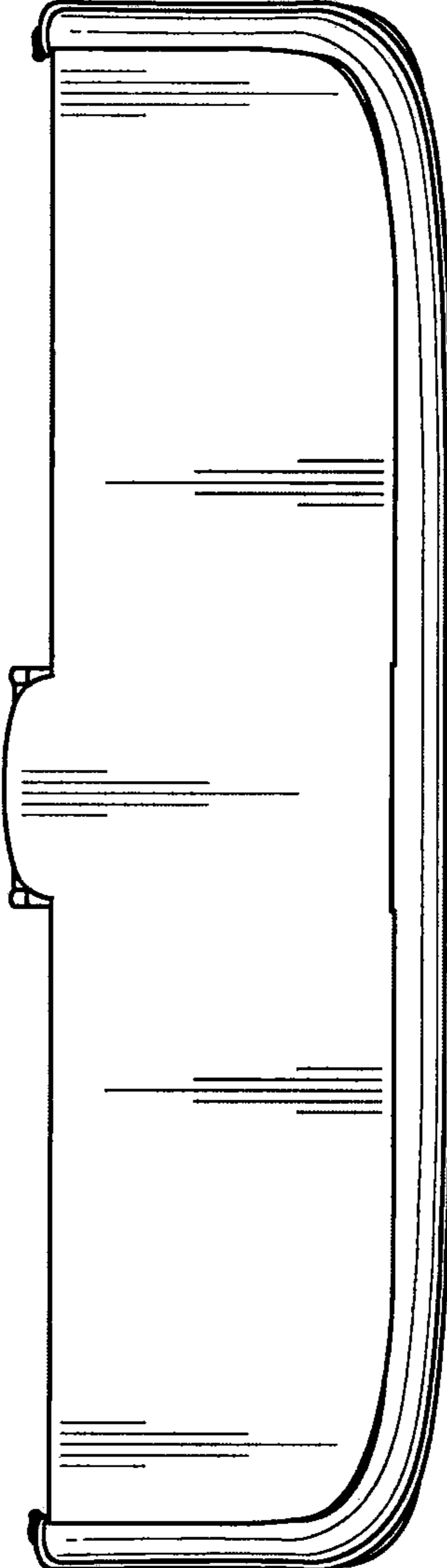


FIG. 8