



US00D702622S

(12) **United States Design Patent**
Klimov et al.

(10) **Patent No.:** **US D702,622 S**
(45) **Date of Patent:** **** Apr. 15, 2014**

(54) **AIRPLANE**

(75) Inventors: **Valentin T. Klimov**, Moscow (RU);
Vladimir I. Chernousov, Ramenskoe
(RU); **Roman T. Surinov**, Moscow (RU)

(73) Assignee: **OA0 Head Company of The
Financial-Industrial Group "Rossiiskii
Aviatsionnyi Konsortium"**, Moscow
(RU)

(**) Term: **14 Years**

(21) Appl. No.: **29/380,284**

(22) Filed: **Dec. 2, 2010**

(51) **LOC (10) Cl.** **12-07**

(52) **U.S. Cl.**
USPC **D12/319**

(58) **Field of Classification Search**
USPC D12/345, 319, 321, 343, 341; D21/450;
244/55, 118.5, 119; 362/471
See application file for complete search history.

(56) **References Cited**

U.S. PATENT DOCUMENTS

4,643,376	A *	2/1987	Vanderhoeven	244/198
5,611,503	A *	3/1997	Brauer	244/118.6
6,457,675	B1 *	10/2002	Plude et al.	244/129.5
6,722,615	B2 *	4/2004	Heller et al.	244/199.4
D499,688	S *	12/2004	Atkinson et al.	D12/319
6,834,833	B2 *	12/2004	Sankrithi	244/119
6,969,029	B2 *	11/2005	Crouch et al.	244/134 R
D516,995	S *	3/2006	Eatkins et al.	D12/319
7,083,143	B2 *	8/2006	Whitmer et al.	244/54

D531,954	S *	11/2006	Eakins et al.	D12/319
D537,029	S *	2/2007	Eakins et al.	D12/319
D576,938	S *	9/2008	Moon	D12/343
D629,349	S *	12/2010	Hwang	D12/319
7,850,126	B2 *	12/2010	Crouch et al.	244/200
7,907,545	B2 *	3/2011	Ric	370/254
7,967,250	B2 *	6/2011	Lobato et al.	244/119
8,214,089	B2 *	7/2012	Caldeira et al.	701/6

* cited by examiner

Primary Examiner — Cathron Brooks

Assistant Examiner — Katie Mroczka

(74) *Attorney, Agent, or Firm* — Patentbar International, P.C.

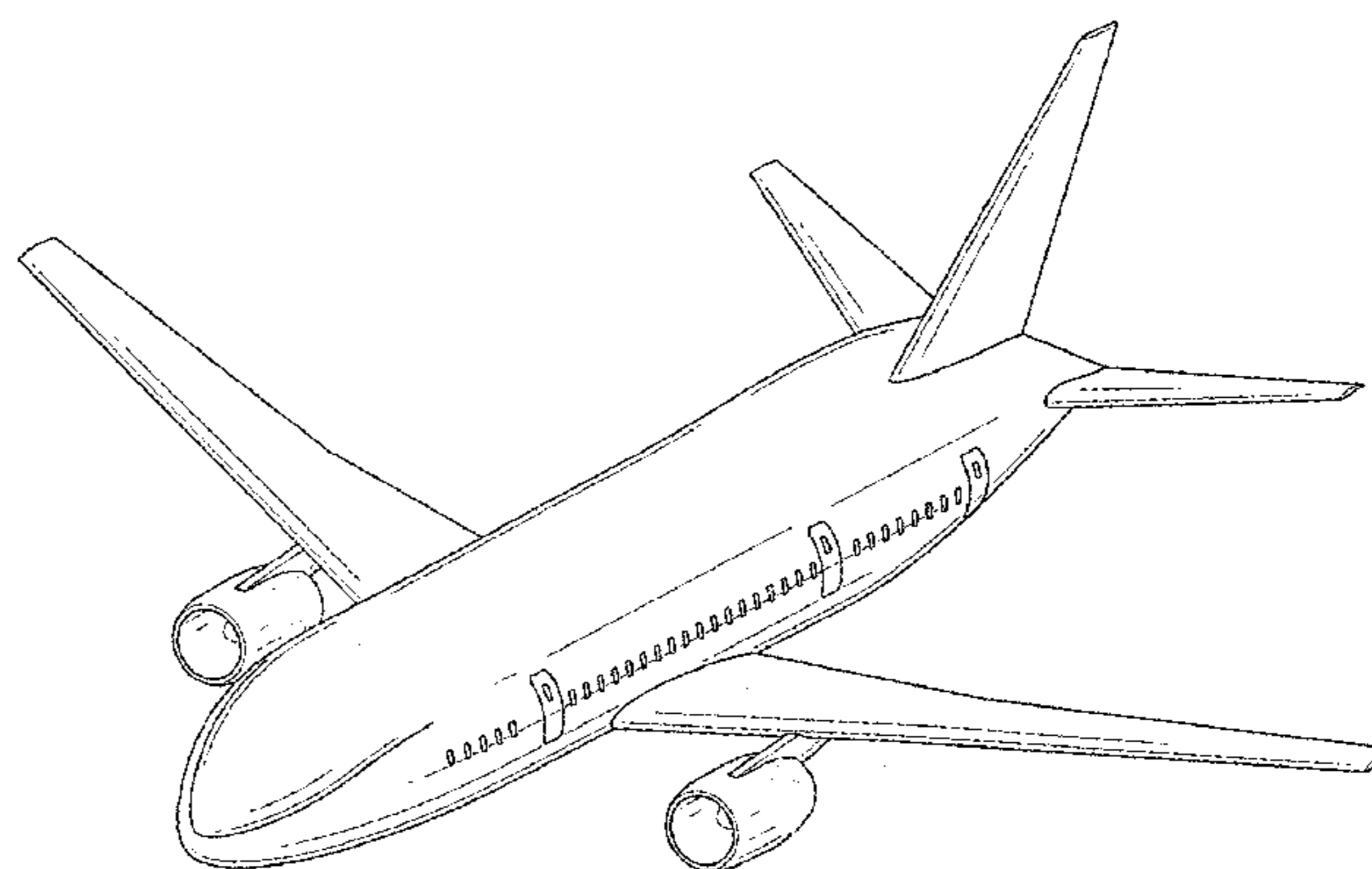
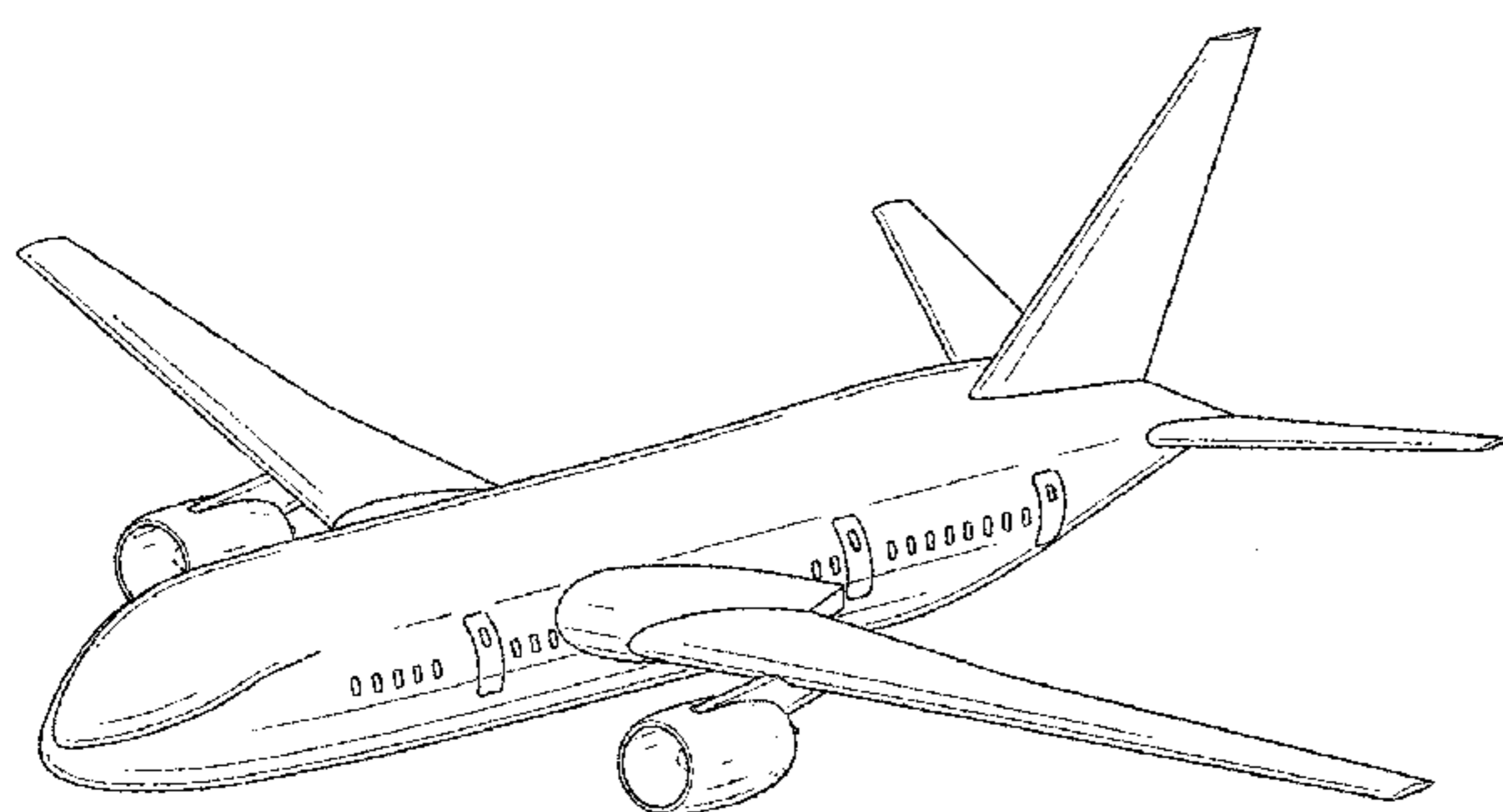
(57) **CLAIM**

The ornamental design for an airplane, as shown and described.

DESCRIPTION

FIG. 1 is a perspective view of of the first embodiment of an airplane, showing our new design;
FIG. 2 is a side view thereof;
FIG. 3 is a top view thereof;
FIG. 4 is a front view thereof;
FIG. 5 is a perspective of the second embodiment of an airplane;
FIG. 6 is a side view thereof;
FIG. 7 is a top view thereof; and,
FIG. 8 is a front view thereof.
Broken lines shown in the drawings illustrate inner portions of the engines that form no part of the claimed design.

1 Claim, 4 Drawing Sheets



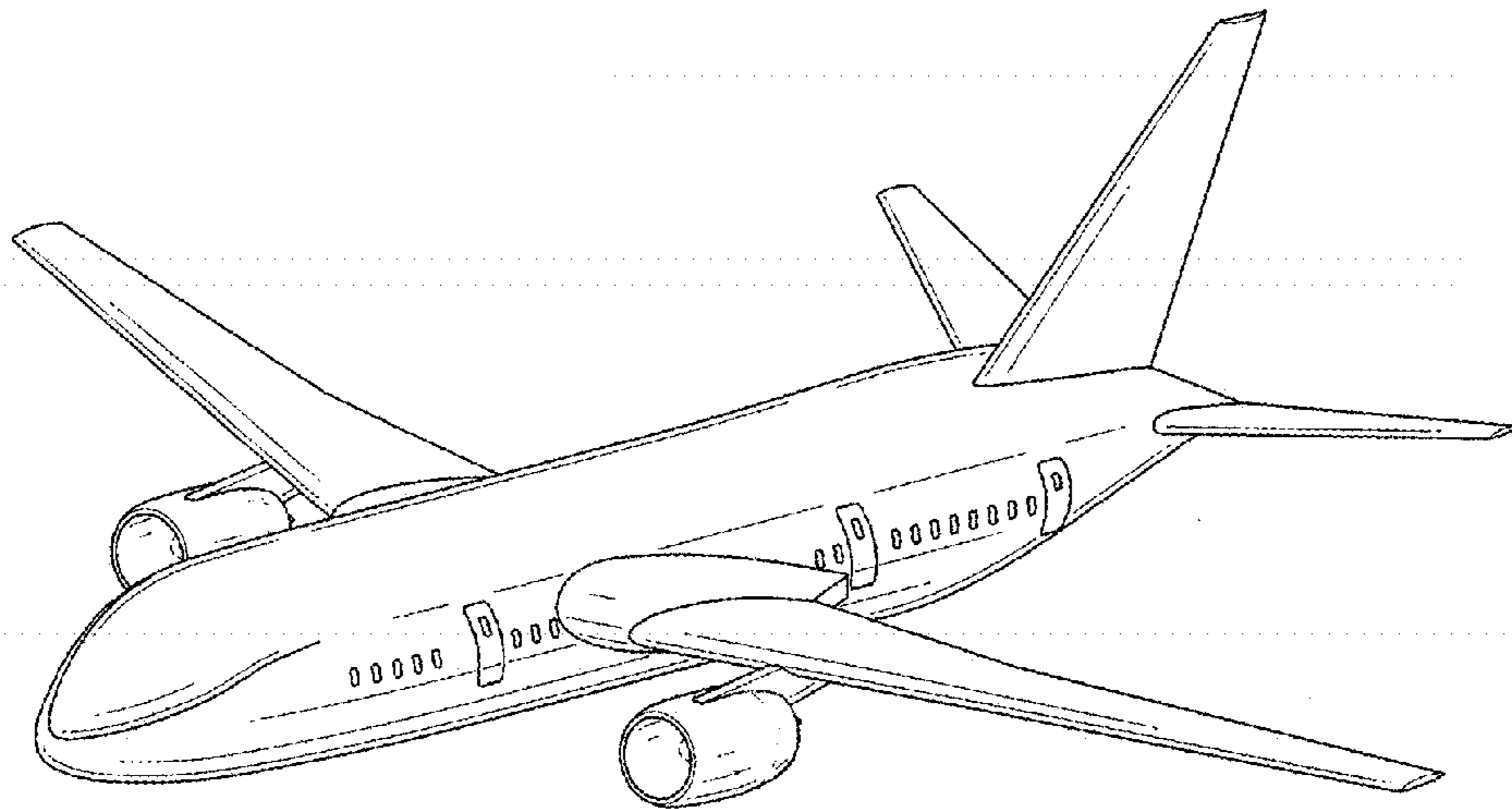


FIG. 1

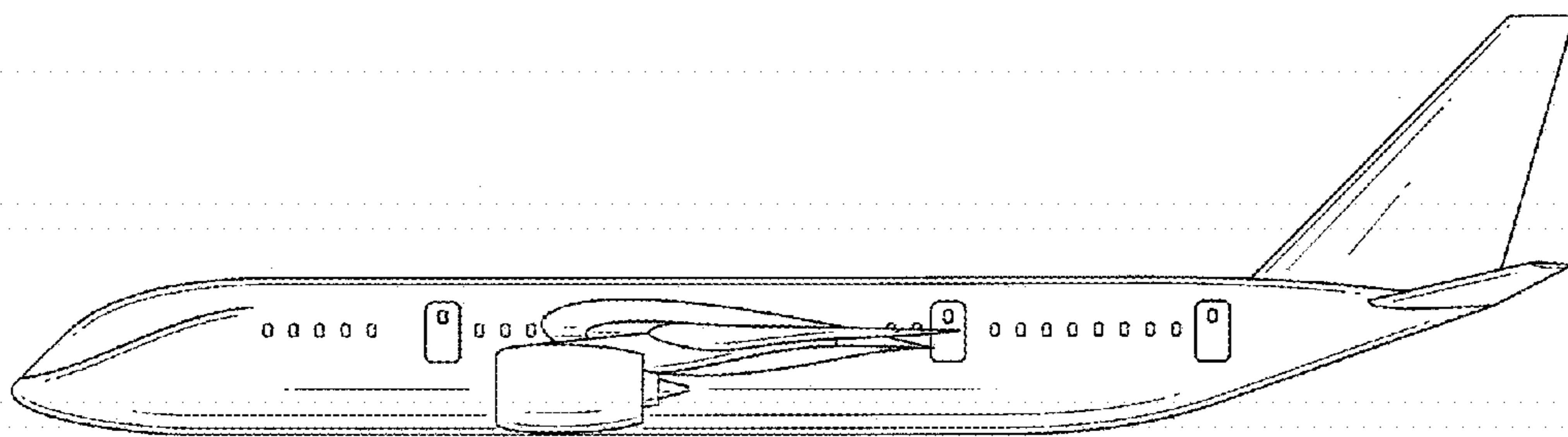


FIG. 2

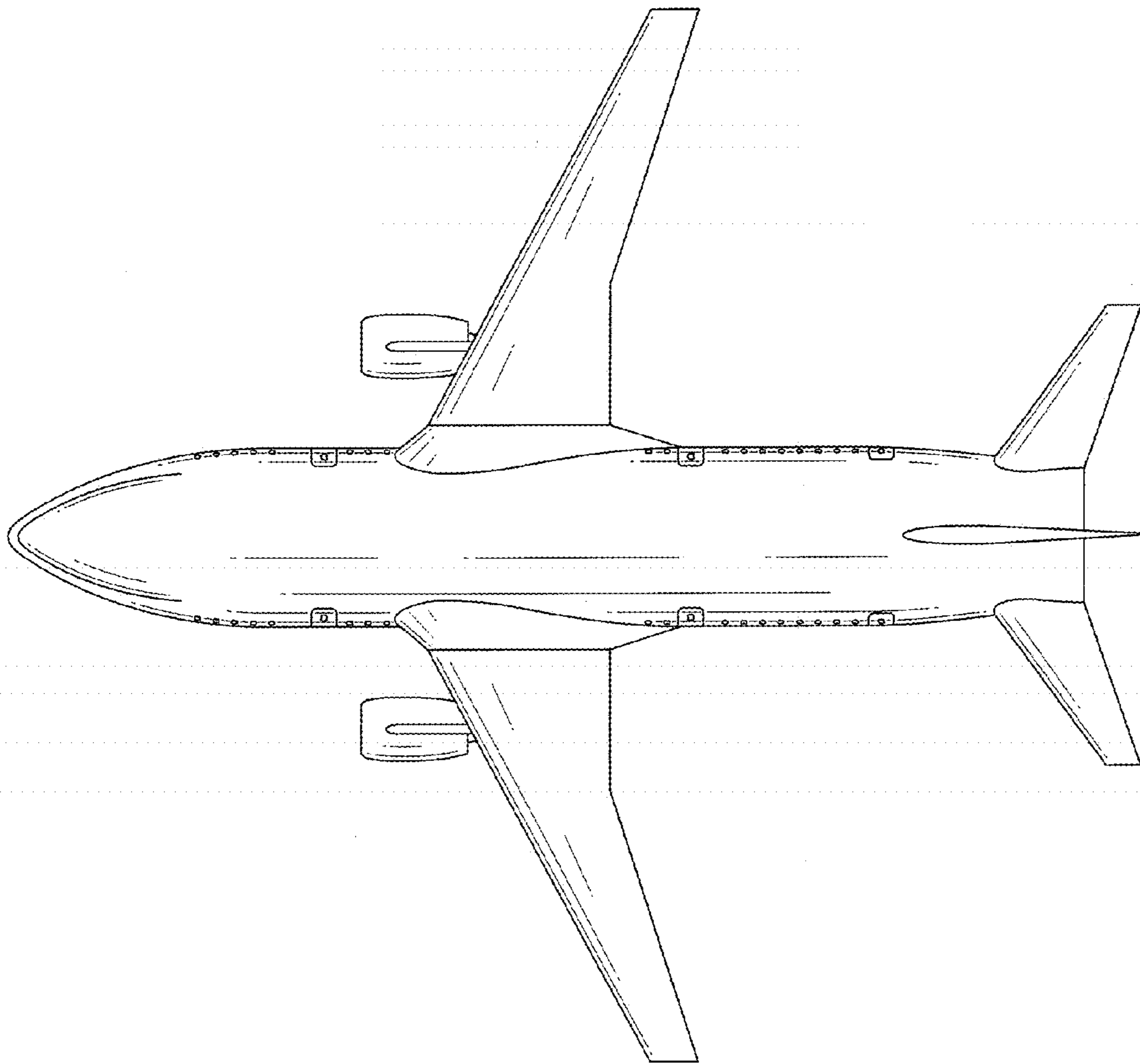


FIG. 3

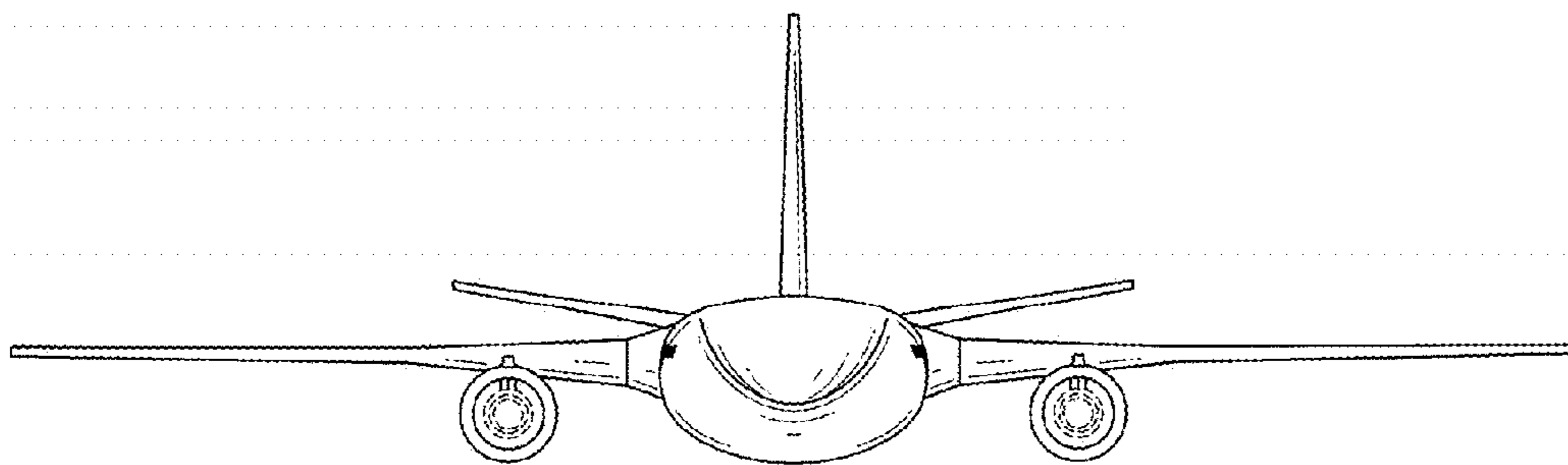


FIG. 4

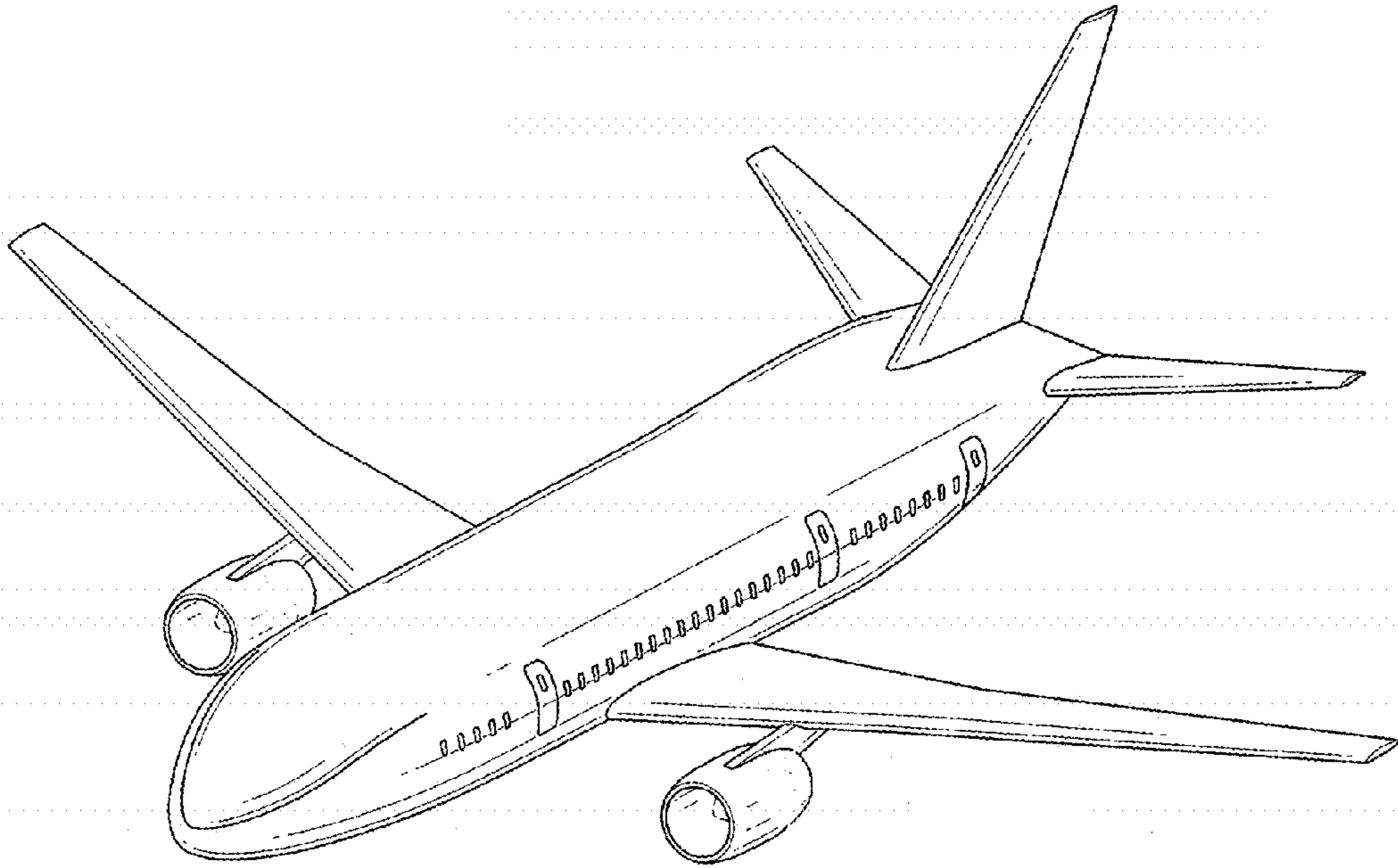


FIG. 5

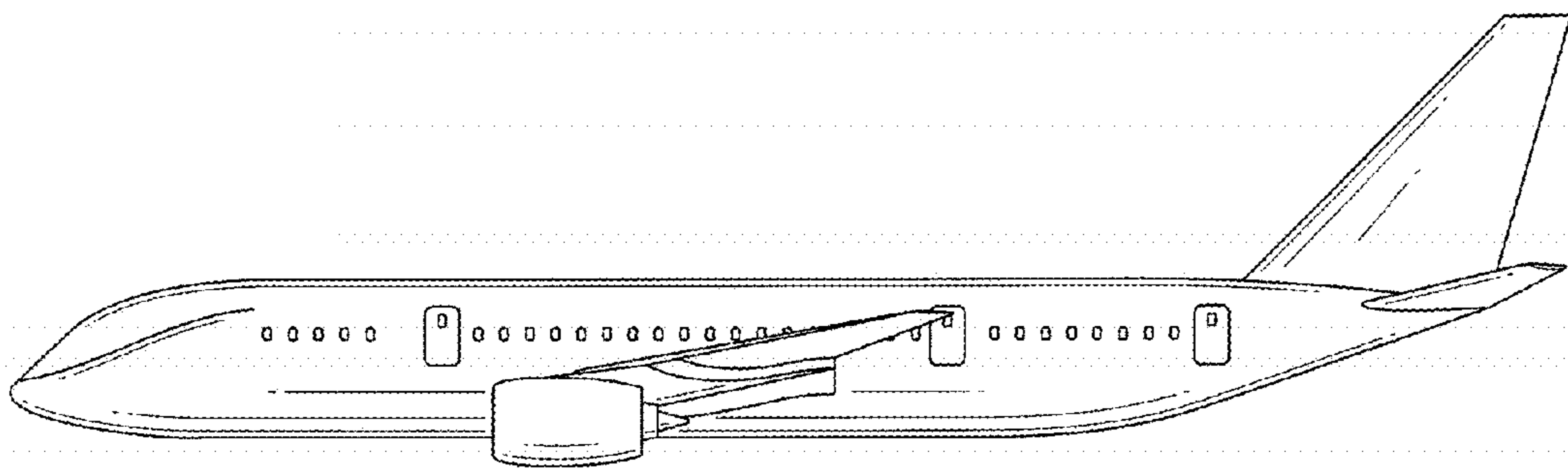


FIG. 6

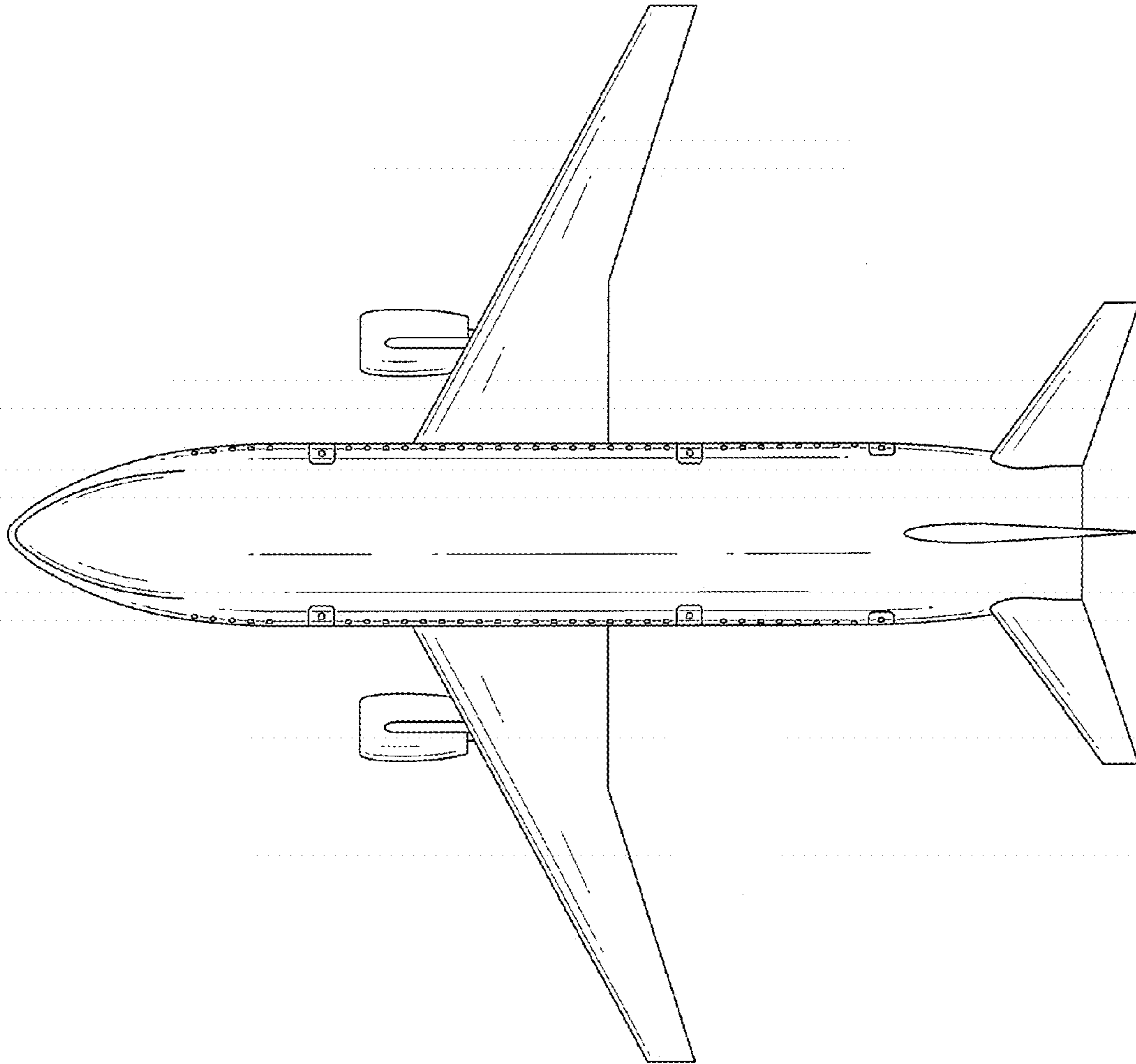


FIG. 7

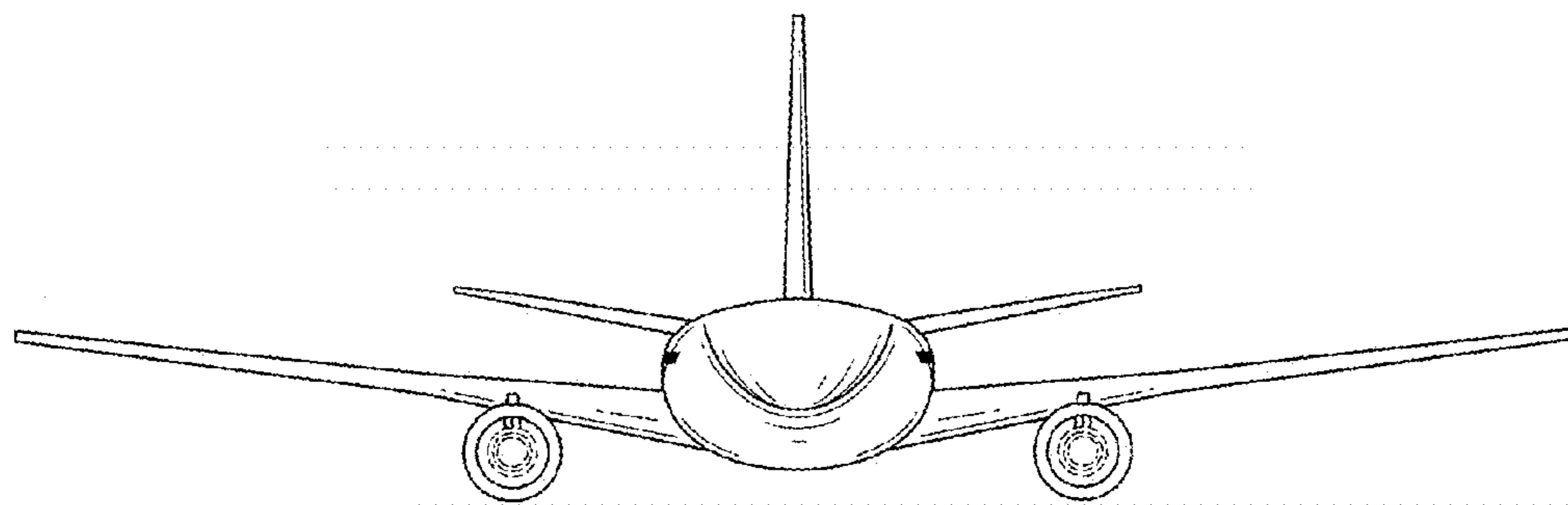


FIG. 8