

US00D702618S

(12) **United States Design Patent**  
**Avasiloaie et al.**

(10) **Patent No.:** **US D702,618 S**  
(45) **Date of Patent:** **\*\* Apr. 15, 2014**

- (54) **WIPER BLADE COUPLER**
- (71) Applicant: **Trico Products Corporation**, Rochester Hills, MI (US)
- (72) Inventors: **Valentin Avasiloaie**, Dearborn Heights, MI (US); **Daniel Ehde**, Ortonville, MI (US)
- (73) Assignee: **Trico Products Corporation**, Rochester Hills, MI (US)
- (\*\*) Term: **14 Years**
- (21) Appl. No.: **29/437,314**

3,056,991 A	10/1962	Smithers
3,082,464 A	3/1963	Smithers
3,088,155 A	5/1963	Smithers
3,089,174 A	5/1963	Bignon
3,104,412 A	9/1963	Hinder
3,132,367 A	5/1964	Wise
3,147,507 A	9/1964	Glynn
3,179,969 A	4/1965	Glynn
3,192,551 A	7/1965	Appel
3,234,578 A	2/1966	Golub et al.
3,296,647 A	1/1967	Gumbleton
3,317,945 A	5/1967	Ludwig
3,317,946 A	5/1967	Anderson
3,350,738 A	11/1967	Anderson
3,378,874 A	4/1968	Scinta
D211,570 S	7/1968	Tomlin
3,418,679 A	12/1968	Barth et al.

(Continued)

- (22) Filed: **Nov. 15, 2012**
- (51) **LOC (10) Cl.** ..... **12-06**
- (52) **U.S. Cl.**  
USPC ..... **D12/220**
- (58) **Field of Classification Search**  
USPC ..... D12/219-220; 15/246, 247, 250.1, 15/250.4, 250.361, 250.19, 250.48, 15/250.03, 250.31-250.33, 250.201, 15/250.451, 250.458, 250.04, 250.07, 15/250.44

See application file for complete search history.

(56) **References Cited**

**U.S. PATENT DOCUMENTS**

2,589,339 A	3/1952	Carson
2,616,112 A	11/1952	Smulski
2,643,411 A	6/1953	Nesson
2,799,887 A	7/1957	Nemic
2,801,436 A	8/1957	Scinta
2,814,820 A	12/1957	Elliott et al.
2,932,843 A	4/1960	Zaiger et al.
2,937,393 A	5/1960	Brueder
2,946,078 A	7/1960	Deibel et al.
2,974,341 A	3/1961	Hart
3,029,460 A	4/1962	Hoyler
3,037,233 A	6/1962	Peras et al.

**FOREIGN PATENT DOCUMENTS**

DE	1028896 B	4/1958
DE	1247161 B	8/1967

(Continued)

*Primary Examiner* — Katrina A Betton

(74) *Attorney, Agent, or Firm* — Howard & Howard Attorneys PLLC

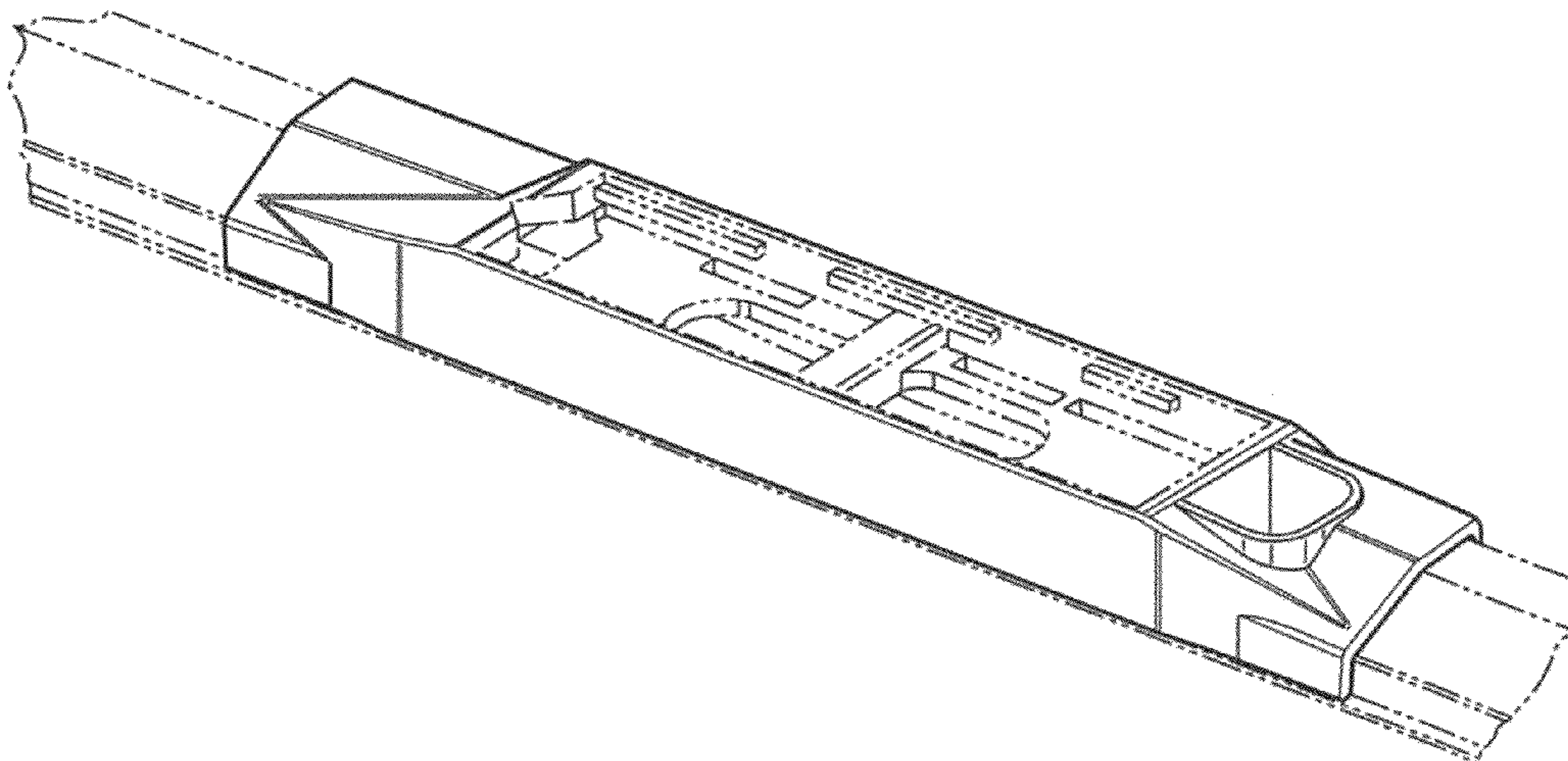
(57) **CLAIM**

The ornamental design for a wiper blade coupler, as shown and described.

**DESCRIPTION**

FIG. 1 is a perspective view of the wiper blade coupler design of the present invention;  
FIG. 2 is a top view thereof;  
FIG. 3 is a left side view thereof;  
FIG. 4 is a right side view thereof;  
FIG. 5 is a bottom view thereof;  
FIG. 6 is an end view thereof; and,  
FIG. 7 is a view of the opposite end thereof.

**1 Claim, 2 Drawing Sheets**





(56)

References Cited

U.S. PATENT DOCUMENTS

3,480,986 A	12/1969	Forster	5,392,487 A	2/1995	Yang	
3,588,942 A	6/1971	Schlesinger	5,392,489 A	2/1995	Mohnach	
3,618,155 A	11/1971	Mower	D357,891 S *	5/1995	Lee .....	D12/220
3,641,614 A	2/1972	Newsome	5,454,135 A	10/1995	Okuya et al.	
3,665,544 A	5/1972	Sakamoto	5,463,790 A	11/1995	Chiou et al.	
3,673,631 A	7/1972	Yamadai et al.	5,485,650 A	1/1996	Swanepoel	
3,685,086 A	8/1972	Frohlich	5,509,166 A	4/1996	Wagner et al.	
3,751,754 A	8/1973	Quinlan et al.	5,553,962 A	9/1996	Eustache	
3,780,395 A	12/1973	Quinlan et al.	5,606,765 A	3/1997	Ding	
3,845,519 A	11/1974	Quinlan et al.	5,611,103 A	3/1997	Lee	
3,862,465 A	1/1975	Ito	5,618,124 A	4/1997	Chen	
3,872,537 A	3/1975	Bianchi	5,632,059 A	5/1997	Lee	
3,879,793 A	4/1975	Schlegel	5,724,700 A	3/1998	Marks	
3,881,214 A	5/1975	Palu	5,807,016 A	9/1998	Herring et al.	
4,028,770 A	6/1977	Appel	D402,254 S *	12/1998	Lee .....	D12/220
4,063,328 A	12/1977	Arman	5,885,023 A	3/1999	Witek et al.	
4,083,642 A	4/1978	Journee	D411,503 S *	6/1999	Lee .....	D12/220
4,102,003 A	7/1978	Hancu	5,937,474 A	8/1999	Hussaini	
4,127,916 A	12/1978	van den Berg et al.	5,946,764 A	9/1999	Tworzydlo	
4,132,490 A	1/1979	Journee	5,956,801 A	9/1999	Jeffer et al.	
4,158,513 A	6/1979	Journee	6,000,093 A	12/1999	Charng	
4,224,001 A	9/1980	Arndt et al.	D418,479 S *	1/2000	Chiou .....	D13/147
4,300,259 A	11/1981	Maiocco	6,158,078 A	12/2000	Kotlarski	
4,309,790 A	1/1982	Bauer et al.	6,161,249 A	12/2000	Hussaini	
4,339,839 A	7/1982	Knights	6,279,191 B1	8/2001	Kotlarski et al.	
4,343,063 A	8/1982	Batt	6,292,974 B1	9/2001	Merkel et al.	
D267,939 S	2/1983	Duvoux	D452,145 S *	12/2001	Sukhlall .....	D9/697
D268,020 S	2/1983	Duvoux	6,332,236 B1	12/2001	Ku	
4,400,845 A	8/1983	Noguchi et al.	6,353,962 B1	3/2002	Matsumoto et al.	
4,416,032 A	11/1983	Mohnach et al.	6,434,780 B1	8/2002	Kotlarski	
4,422,207 A	12/1983	Maiocco et al.	6,523,218 B1	2/2003	Kotlarski	
4,438,543 A	3/1984	Noguchi et al.	6,550,096 B1	4/2003	Stewart et al.	
4,464,808 A	8/1984	Berry	6,553,607 B1	4/2003	De Block	
4,547,925 A	10/1985	Blackborow et al.	6,581,237 B1	6/2003	Kotlarski	
4,561,143 A	12/1985	Beneteau	6,591,445 B2	7/2003	Nacamuli	
4,570,284 A	2/1986	Verton	6,599,051 B1	7/2003	Jarasson	
4,587,686 A	5/1986	Thompson	6,611,988 B1	9/2003	De Block	
4,590,638 A	5/1986	Beneteau	6,625,842 B1	9/2003	De Block	
4,741,071 A	5/1988	Bauer et al.	6,634,056 B1	10/2003	De Block	
4,766,636 A	8/1988	Shinpo	6,654,983 B1	12/2003	Raynaud	
4,782,547 A	11/1988	Mohnach	6,665,905 B2	12/2003	Wegner et al.	
4,807,326 A	2/1989	Arai et al.	6,668,419 B1	12/2003	Kotlarski	
4,852,206 A	8/1989	Fisher	6,675,433 B1	1/2004	Stewart et al.	
D307,408 S	4/1990	Mower et al.	6,675,434 B1	1/2004	Wilhelm et al.	
D308,660 S	6/1990	Fisher	6,687,948 B2	2/2004	Kotlarski	
D308,845 S	6/1990	Charet et al.	6,779,223 B1	8/2004	Roekens	
4,976,001 A	12/1990	Wright	6,789,289 B2	9/2004	Roodt	
4,980,944 A	1/1991	Longman	6,792,644 B2	9/2004	Roodt	
4,984,325 A	1/1991	Arai et al.	6,836,924 B2	1/2005	Egan-Walter	
4,989,290 A	2/1991	Hoshino	6,836,926 B1	1/2005	De Block	
5,042,106 A	8/1991	Maubray	6,944,905 B2	9/2005	De Block et al.	
5,056,183 A	10/1991	Haney, III	6,966,096 B2	11/2005	Baseotto et al.	
5,062,176 A	11/1991	Unterborn et al.	7,028,368 B2	4/2006	Lee et al.	
5,084,933 A	2/1992	Buechele	7,055,207 B2	6/2006	Coughlin	
5,086,534 A	2/1992	Journee	7,150,066 B1	12/2006	Huang	
5,093,954 A	3/1992	Kuzuno	D540,243 S *	4/2007	Herring et al. ....	D12/220
5,123,140 A	6/1992	Raymond	7,207,082 B2	4/2007	Lee	
5,138,739 A	8/1992	Maubray	7,228,588 B2	6/2007	Kraemer et al.	
5,168,596 A	12/1992	Maubray	7,281,294 B2	10/2007	Wilms et al.	
5,168,597 A	12/1992	Schon et al.	7,287,296 B2	10/2007	Vacher	
5,170,527 A	12/1992	Lyon, II	D564,435 S *	3/2008	Tolentino .....	D12/220
5,179,761 A	1/1993	Buechele et al.	7,350,259 B2 *	4/2008	Walworth et al. ....	15/250.201
5,206,969 A	5/1993	Patterson et al.	D569,328 S *	5/2008	Lin .....	D12/220
5,218,735 A	6/1993	Maubray	7,451,520 B2	11/2008	Weiler et al.	
5,228,167 A	7/1993	Yang	7,523,522 B2	4/2009	Herring et al.	
5,233,721 A	8/1993	Yang	7,546,660 B2	6/2009	Heinrich et al.	
5,257,436 A	11/1993	Yang	D597,468 S *	8/2009	Grasso et al. ....	D12/220
5,276,937 A	1/1994	Lan	D597,470 S *	8/2009	Grasso et al. ....	D12/220
5,283,925 A	2/1994	Maubray	7,581,279 B2	9/2009	Baseotto et al.	
5,307,536 A	5/1994	Lescher	7,621,016 B2	11/2009	Verelst et al.	
5,311,636 A	5/1994	Lee	7,774,892 B2	8/2010	Coughlin	
5,319,826 A	6/1994	Mower	D665,327 S *	8/2012	Houssat et al. ....	D12/220
5,325,564 A	7/1994	Swanepoel	D692,819 S *	11/2013	Tolentino et al. ....	D12/220
5,332,328 A	7/1994	Yang	2002/0026681 A1	3/2002	Nacamuli	
5,383,249 A	1/1995	Yang	2003/0159229 A1	8/2003	Weiler et al.	
			2004/0019997 A1	2/2004	Baseotto et al.	
			2004/0025281 A1	2/2004	Baseotto et al.	
			2004/0123414 A1	7/2004	Lee	
			2006/0130263 A1	6/2006	Coughlin	

(56)

**References Cited**

U.S. PATENT DOCUMENTS

2007/0174989 A1 8/2007 Moll et al.  
 2008/0066254 A1 3/2008 Vacher  
 2009/0199357 A1 8/2009 Thienard

FOREIGN PATENT DOCUMENTS

DE 1505397 A1 10/1969  
 DE 1655410 A1 8/1971  
 DE 2311293 A1 9/1974  
 DE 2336271 A1 2/1975  
 DE 2350302 A1 4/1975  
 DE 2353368 A1 5/1975  
 DE 2640399 A1 3/1977  
 DE 19729865 A1 1/1999  
 DE 19734843 A1 2/1999  
 DE 19814609 A1 10/1999  
 DE 10335393 A1 9/2004

EP 0594451 A1 4/1994  
 FR 1069875 A 2/1954  
 FR 2377302 A1 8/1978  
 FR 2515121 A1 4/1983  
 GB 878951 A 10/1961  
 GB 1012902 A 12/1965  
 GB 1489791 4/1975  
 GB 1395918 A 5/1975  
 GB 2308542 A 7/1997  
 JP 2007-331748 A 12/2007  
 WO 0021809 A1 4/2000  
 WO 02087935 A1 11/2002  
 WO 03051696 A1 6/2003  
 WO 03080409 A1 10/2003  
 WO 2004048163 A1 6/2004  
 WO 2004076251 A1 9/2004  
 WO 2004076252 A1 9/2004  
 WO 2006069648 A1 7/2006  
 WO 2009133979 A1 11/2009  
 WO 2011131395 A2 10/2011

\* cited by examiner

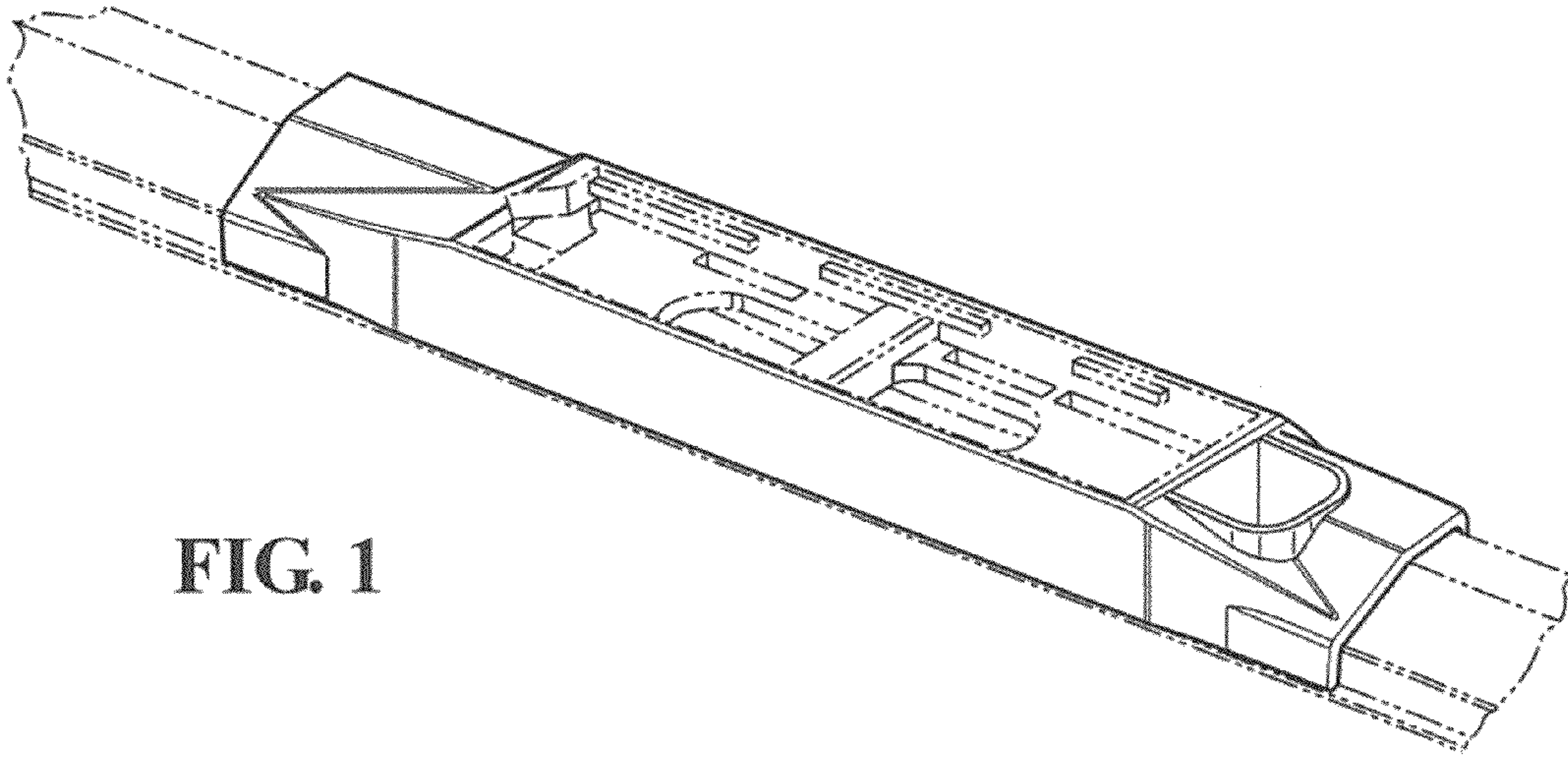


FIG. 1

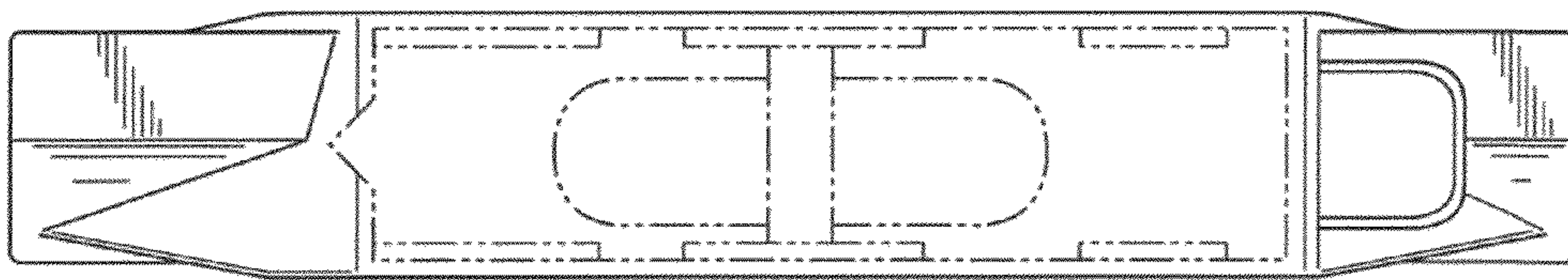


FIG. 2





FIG. 3



FIG. 4



FIG. 5

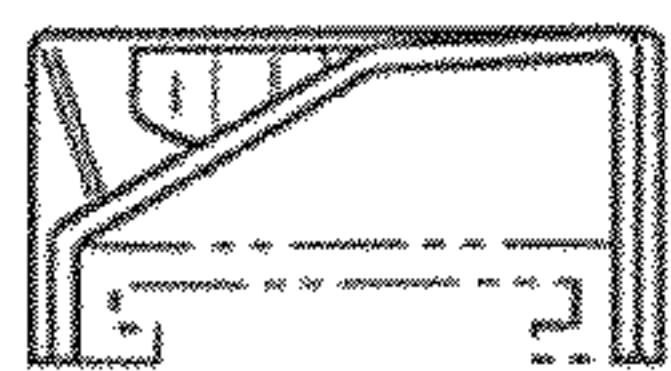


FIG. 6

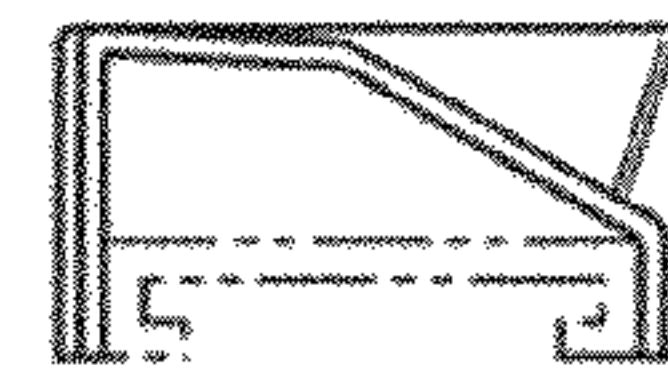


FIG. 7