



US00D702617S

(12) **United States Design Patent**  
**Avasiloaie et al.**

(10) **Patent No.:** **US D702,617 S**  
(45) **Date of Patent:** **\*\* Apr. 15, 2014**

- (54) **WINDSHIELD WIPER BLADE**
- (71) Applicant: **Trico Products Corporation**, Rochester Hills, MI (US)
- (72) Inventors: **Valentin Avasiloaie**, Dearborn Heights, MI (US); **Daniel Ehde**, Ortonville, MI (US)
- (73) Assignee: **Trico Products Corporation**, Rochester Hills, MI (US)
- (\*\*) Term: **14 Years**

D686,555 S *	7/2013	Song et al. ....	D12/219
D686,556 S *	7/2013	Song et al. ....	D12/219
D686,557 S *	7/2013	Kwon .....	D12/219
D692,818 S *	11/2013	Tolentino et al. ....	D12/219
D692,819 S *	11/2013	Tolentino et al. ....	D12/220
2012/0317740 A1 *	12/2012	Yang et al. ....	15/250.32
2012/0324671 A1 *	12/2012	Pinto et al. ....	15/250.32
2012/0324672 A1 *	12/2012	Pinto et al. ....	15/250.48

\* cited by examiner

*Primary Examiner* — Katrina A Betton

(74) *Attorney, Agent, or Firm* — Howard & Howard Attorneys PLLC

- (21) Appl. No.: **29/471,929**
- (22) Filed: **Nov. 6, 2013**
- (51) **LOC (10) Cl.** ..... **12-06**
- (52) **U.S. Cl.**  
USPC ..... **D12/219**
- (58) **Field of Classification Search**  
USPC ..... D12/219–220; 15/246, 247, 250.001, 15/250.4, 250.361, 250.19, 250.48, 15/250.03, 250.31–250.33, 250.351, 15/250.38, 250.201, 250.451, 250.458, 15/250.04, 250.07, 250.44  
See application file for complete search history.

(57) **CLAIM**

The ornamental design for a windshield wiper blade, as shown and described.

**DESCRIPTION**

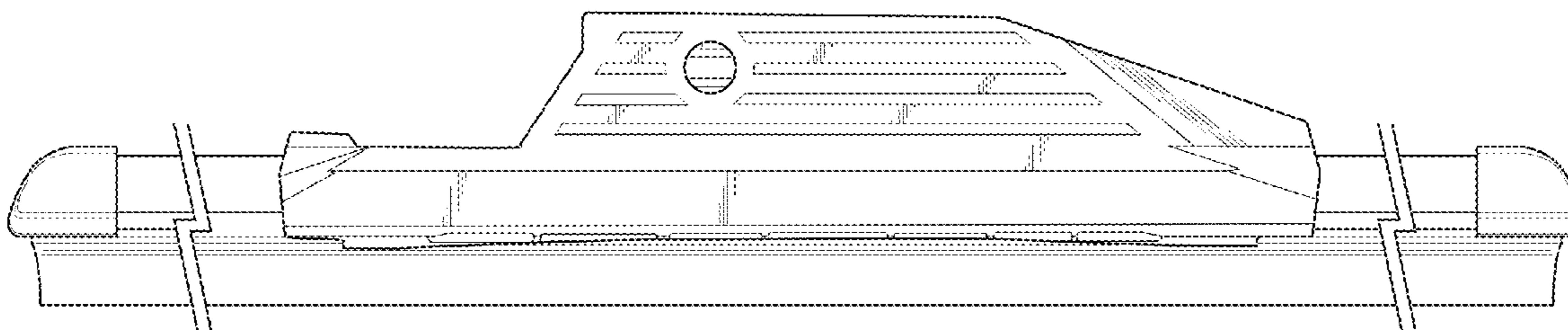
FIG. 1 is a perspective view of the windshield wiper blade design of the present invention;  
FIG. 2 is a top view thereof;  
FIG. 3 is a bottom view thereof;  
FIG. 4 is a left side view thereof;  
FIG. 5 is a right side view thereof;  
FIG. 6 is an end view thereof; and,  
FIG. 7 is a view of the opposite end thereof.  
The breaks in the drawing figures show no specific length.

(56) **References Cited**

U.S. PATENT DOCUMENTS

D680,051 S *	4/2013	Tolentino et al. ....	D12/219
D685,713 S *	7/2013	Wang .....	D12/219

**1 Claim, 3 Drawing Sheets**



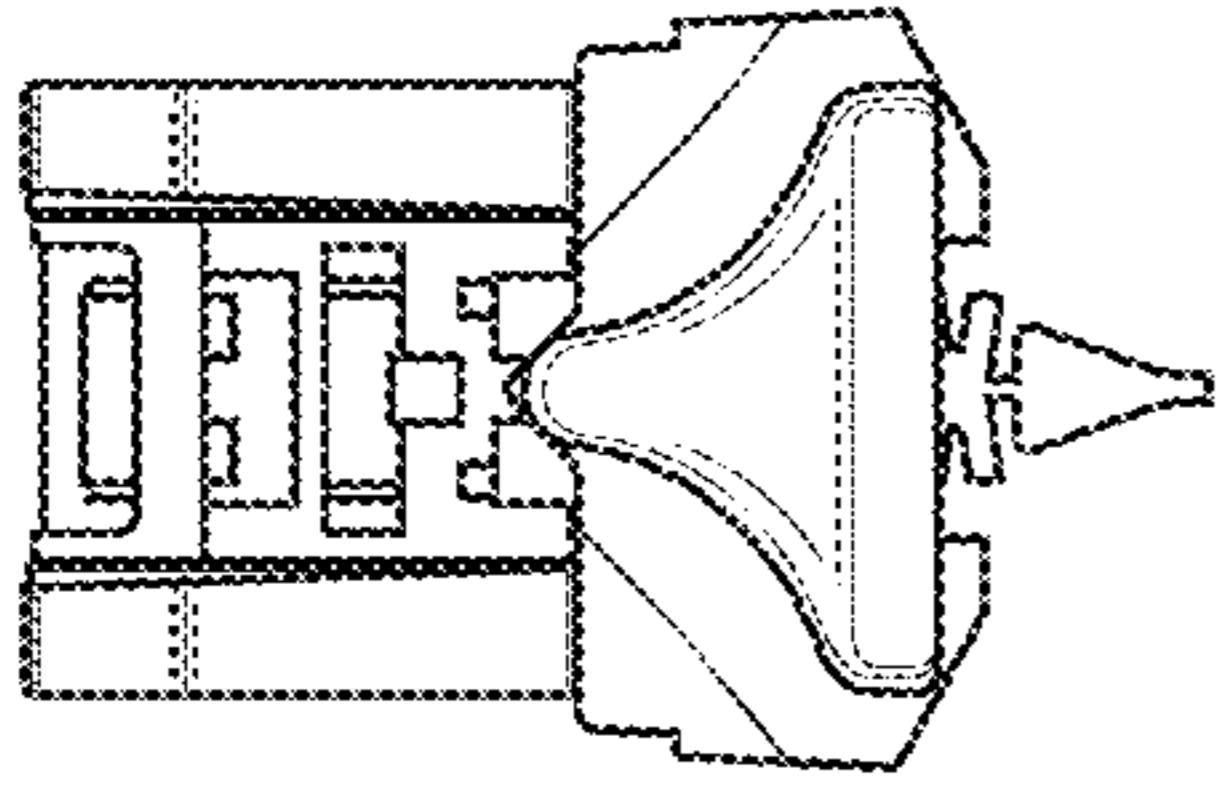


FIG. 7

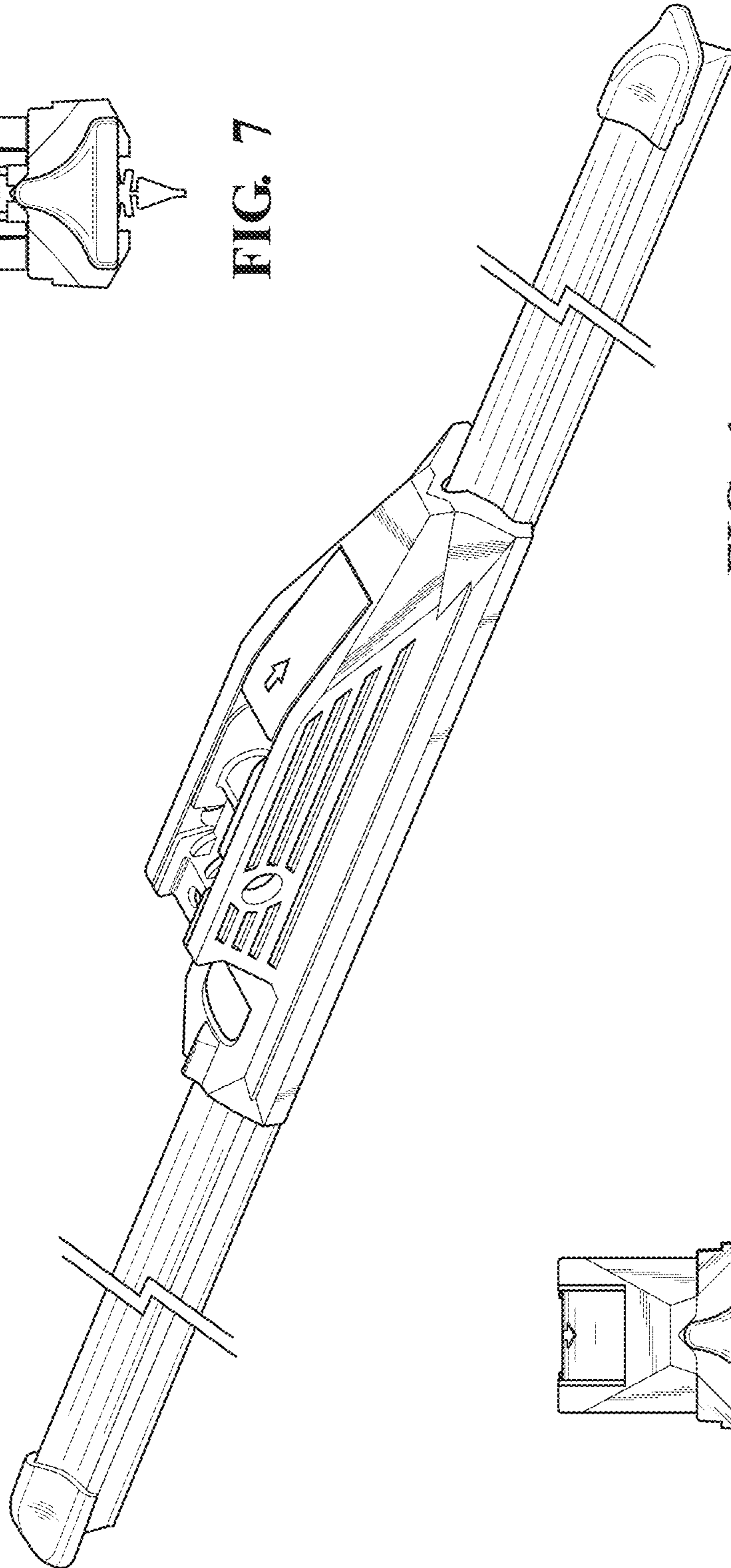


FIG. 1

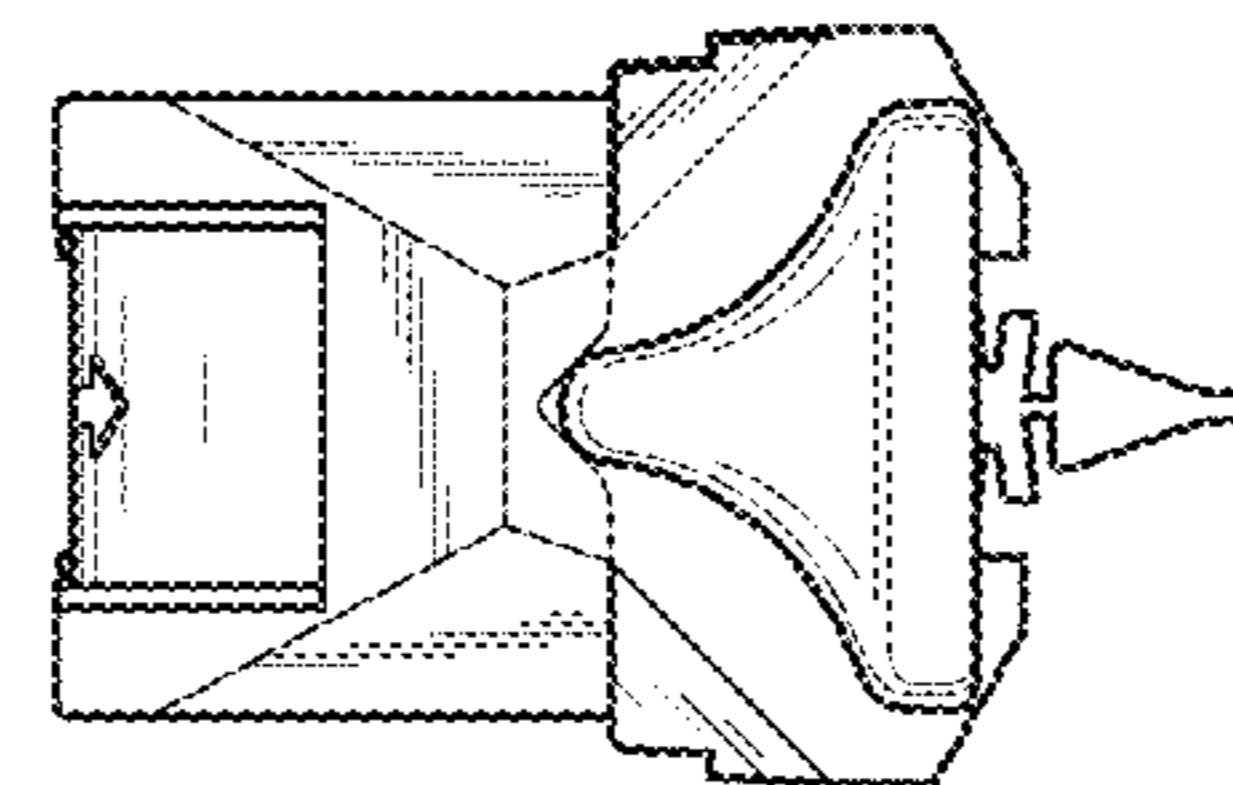


FIG. 6

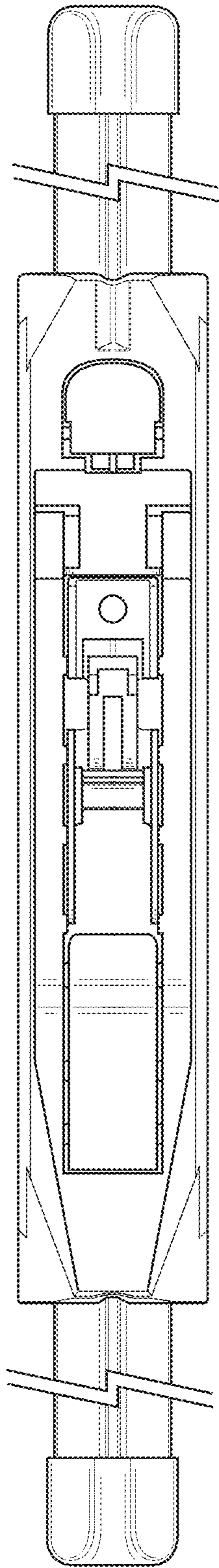


FIG. 2

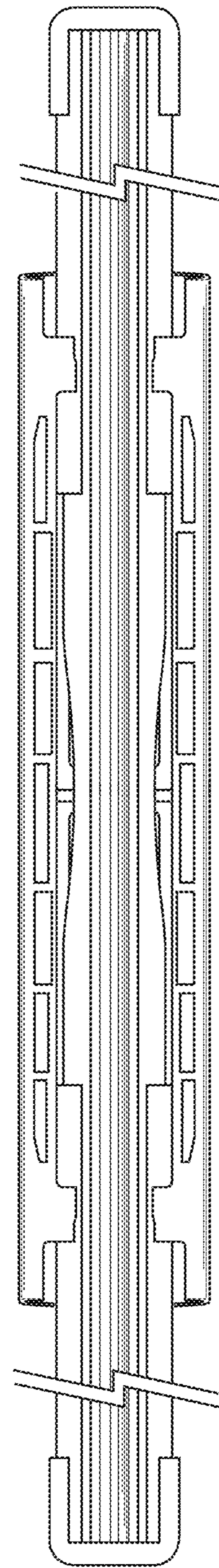


FIG. 3



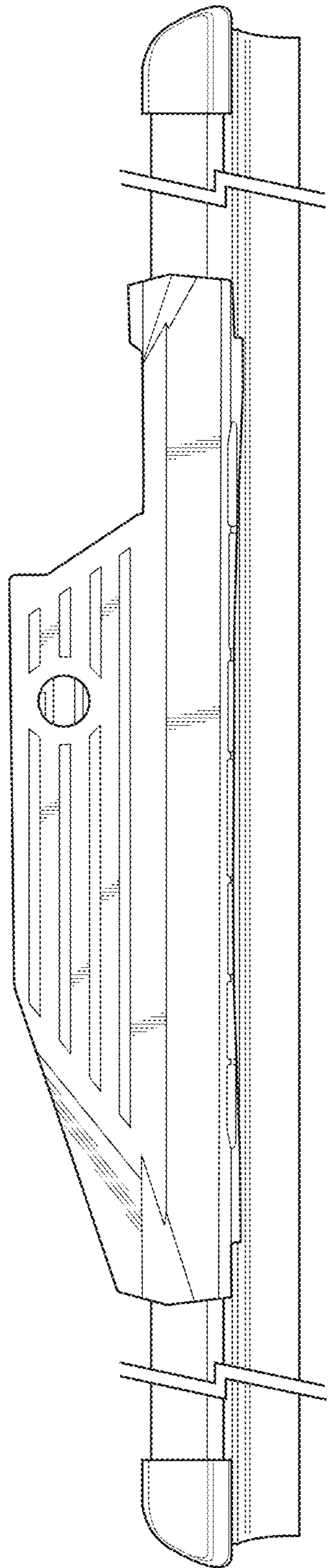


FIG. 4

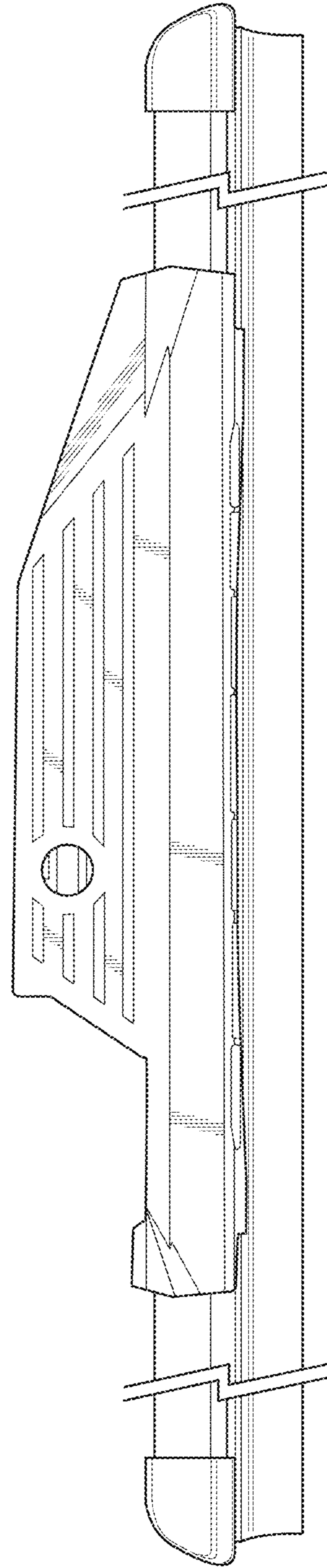


FIG. 5